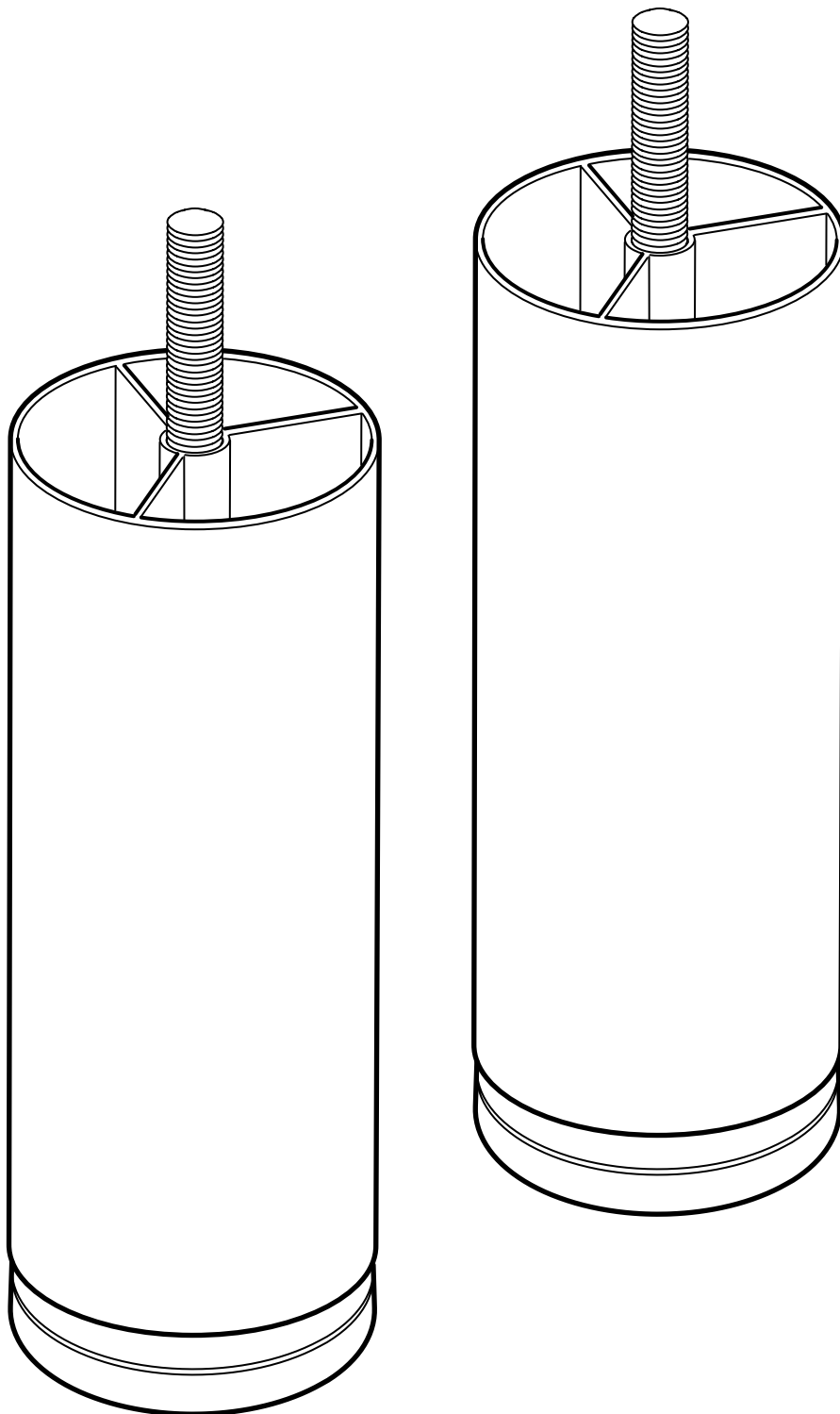
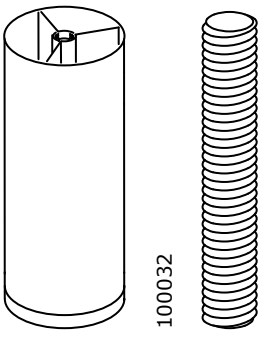
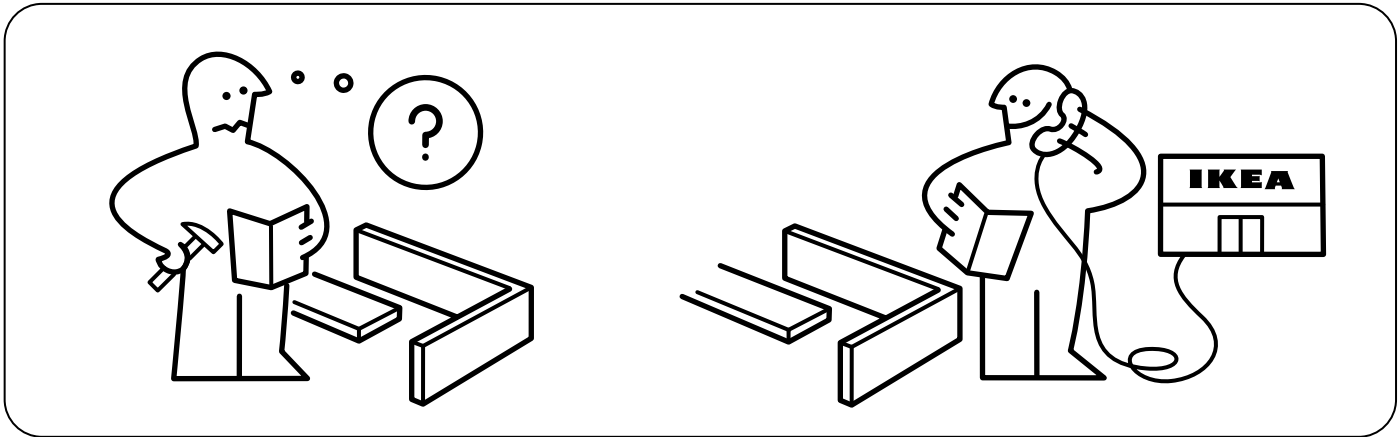
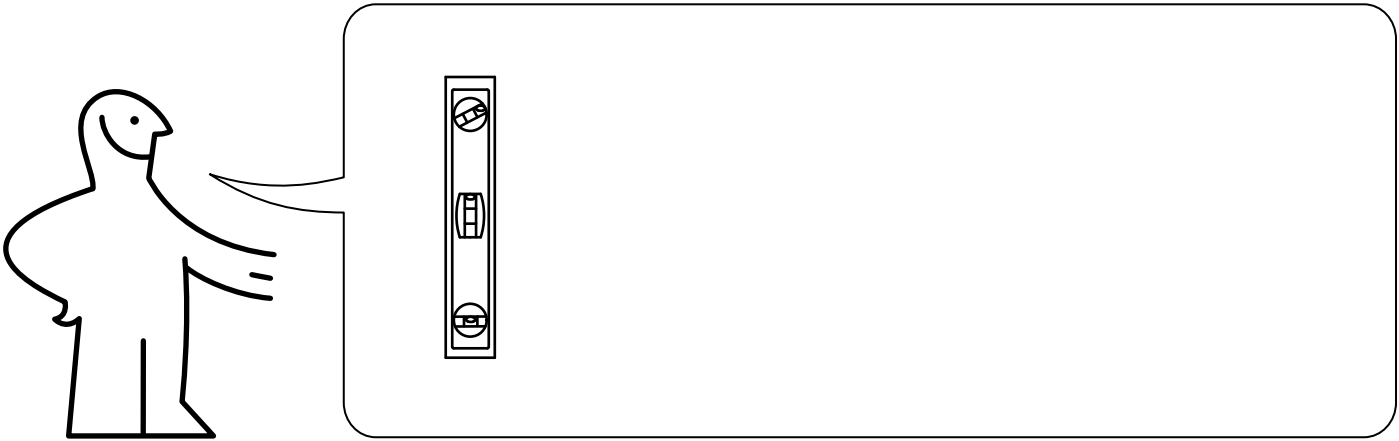


# STUVA

# GRUNDLIG



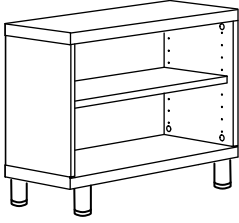
Design and Quality  
IKEA of Sweden



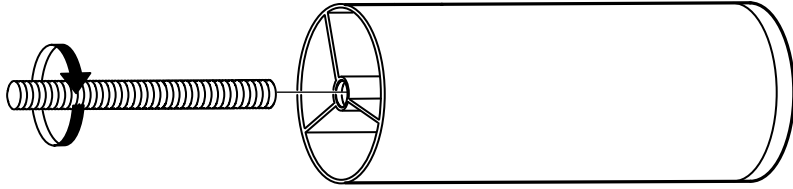
2x

2x

**1**



4x



**2**

