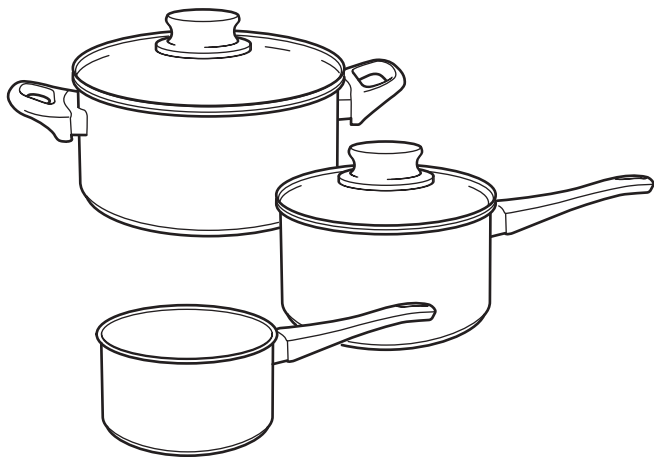
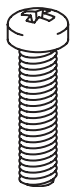
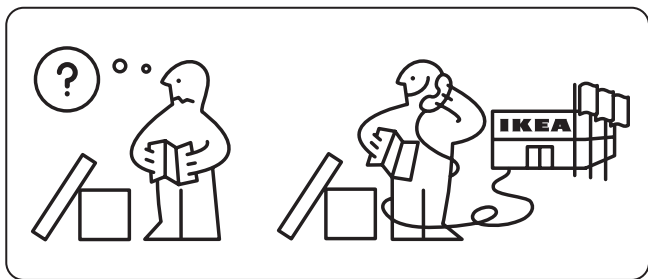
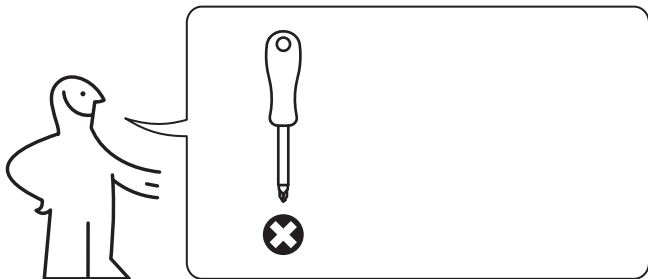


ANNONS



Design and Quality
IKEA of Sweden

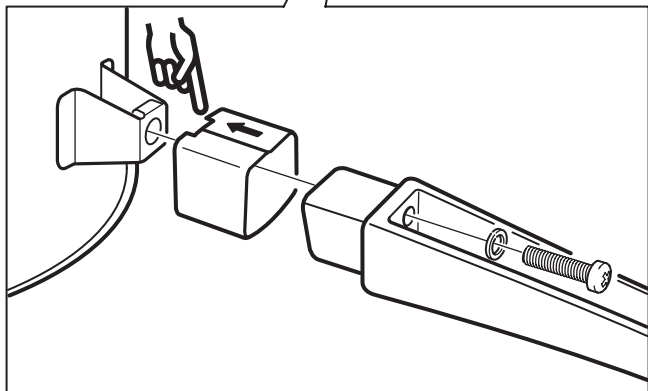
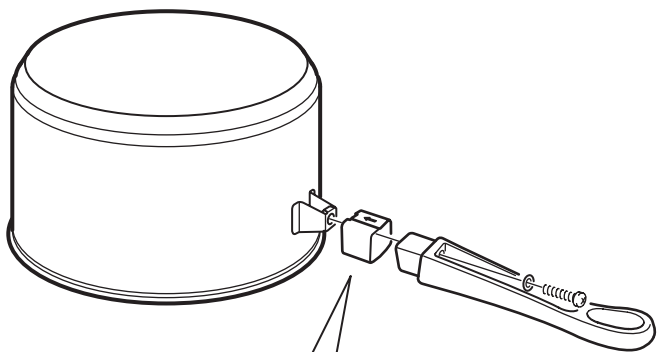


2x

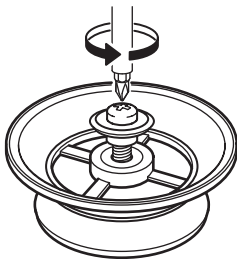


2x

1



2



3

