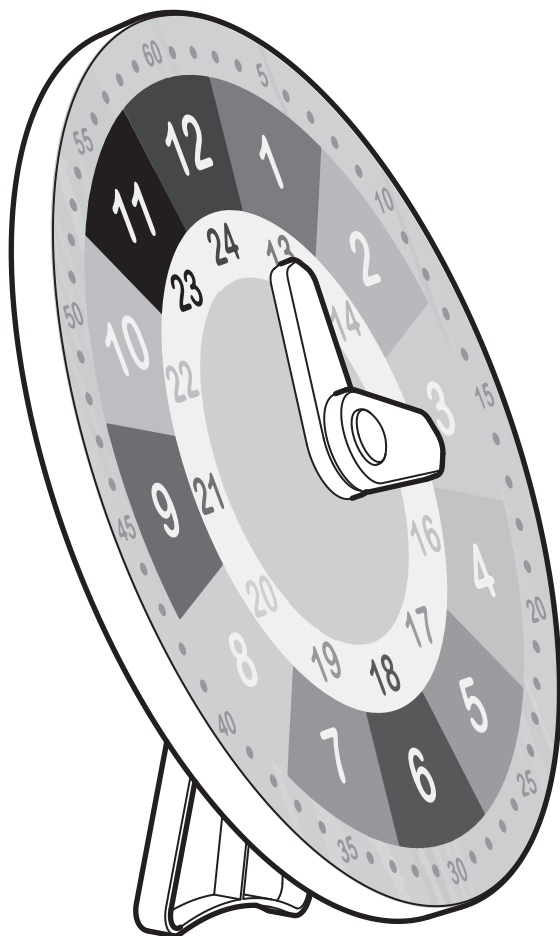
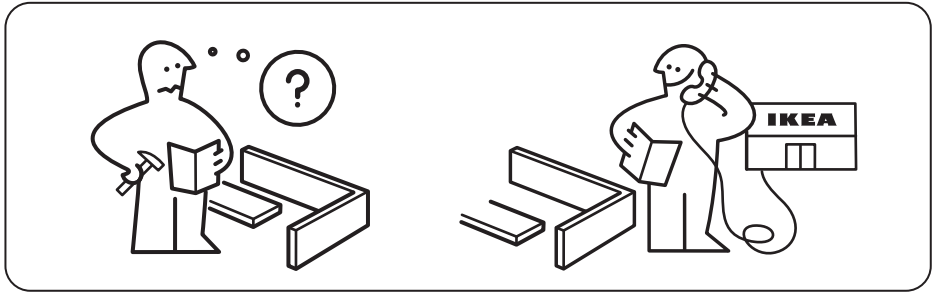
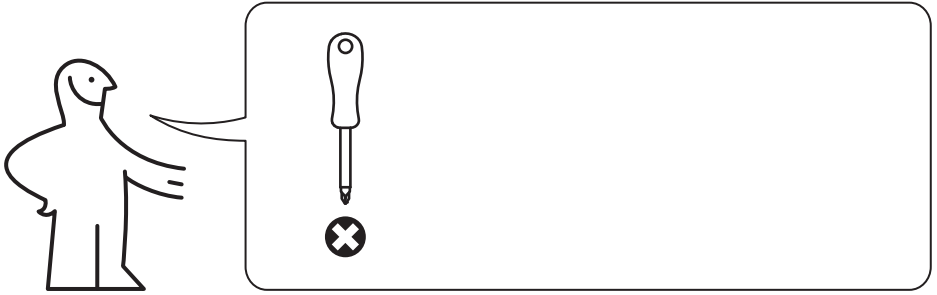


# UNDERHÅLLA

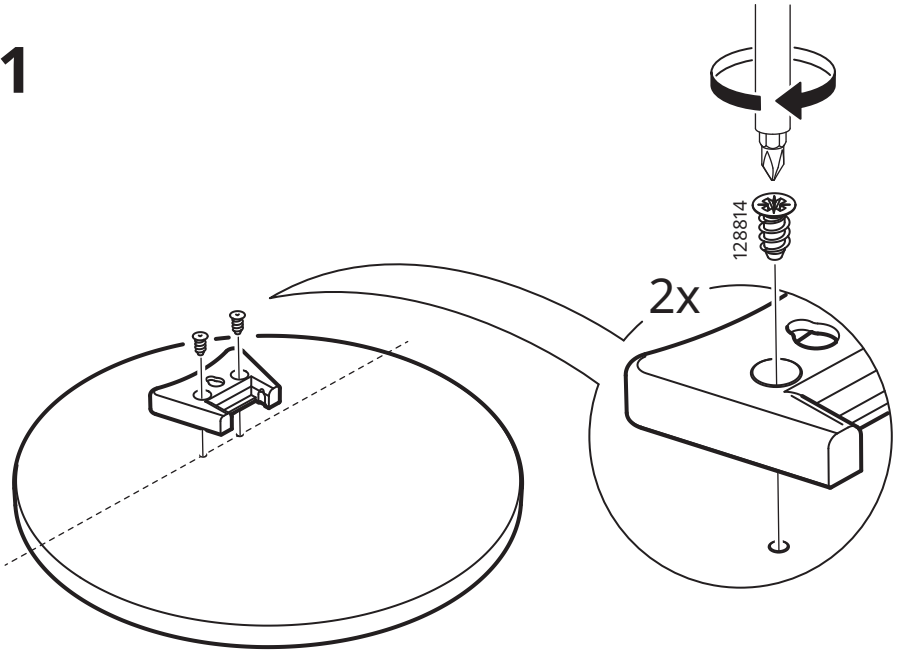


Design and Quality  
IKEA of Sweden



2x

1



2

