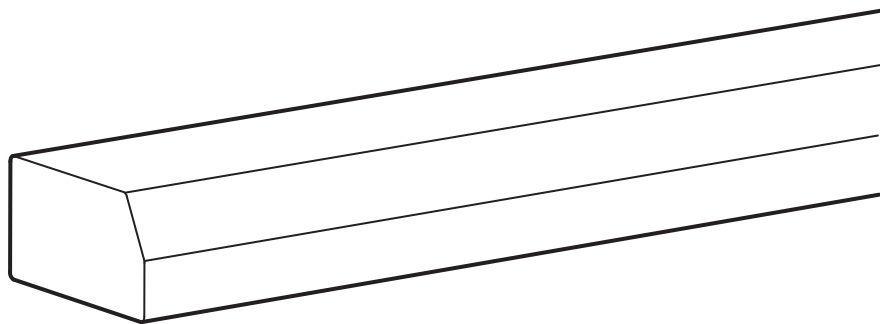
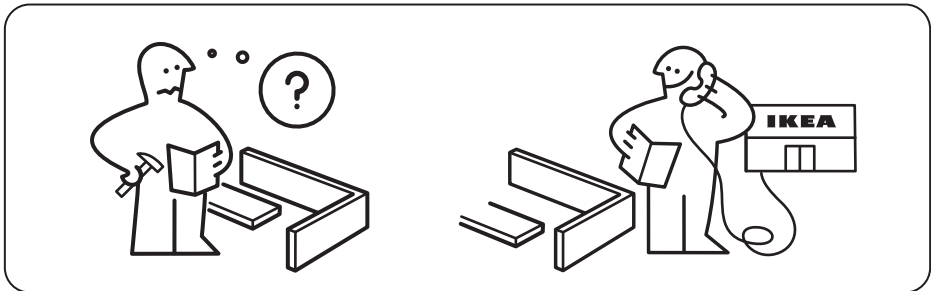
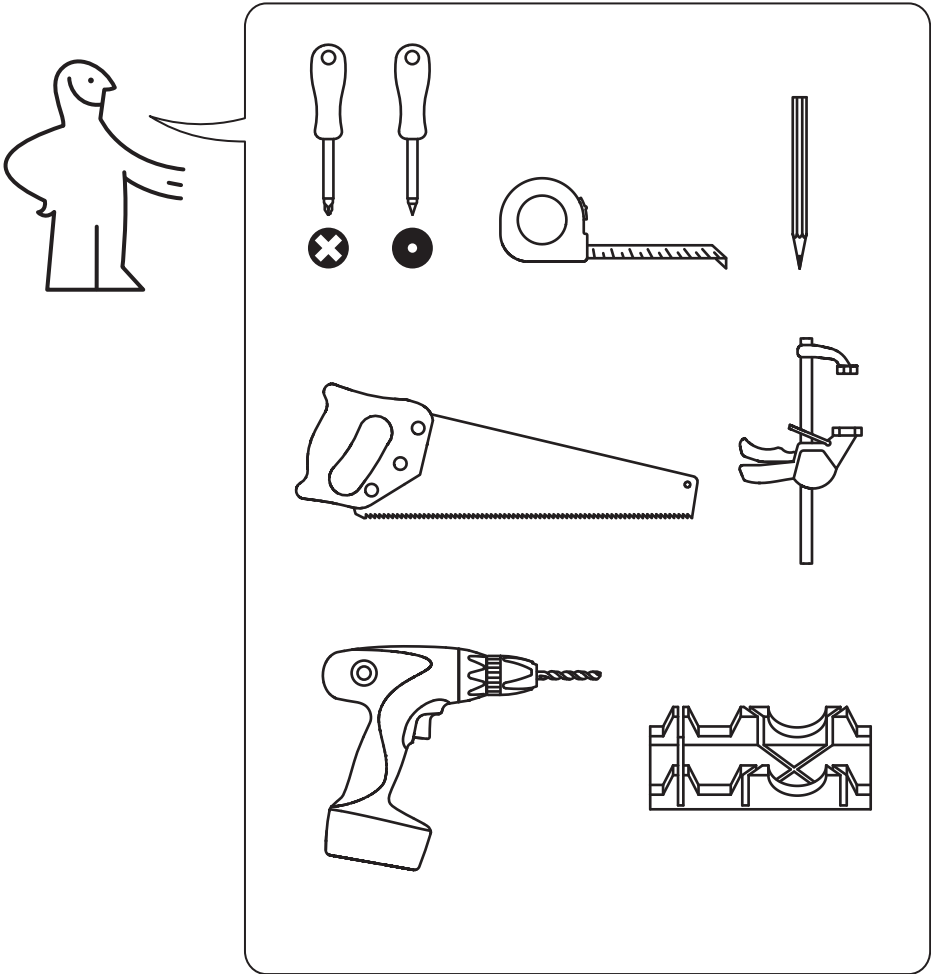


# ENKÖPING



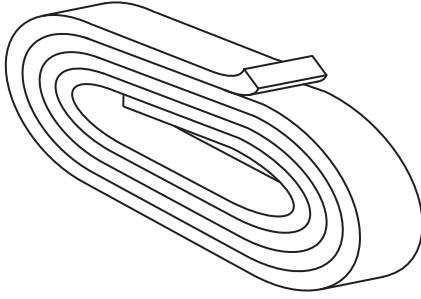
Design and Quality  
IKEA of Sweden





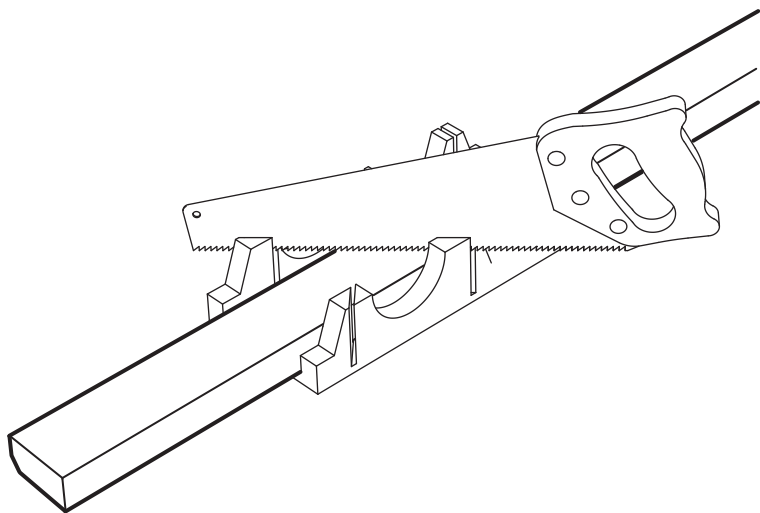
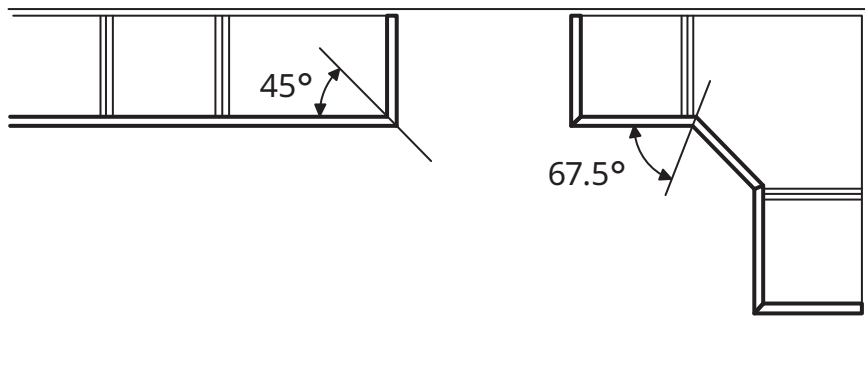
109537

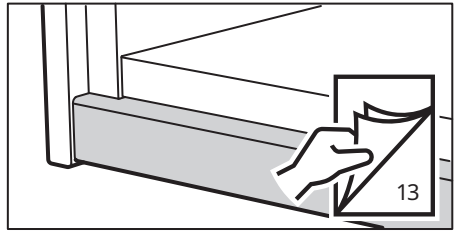
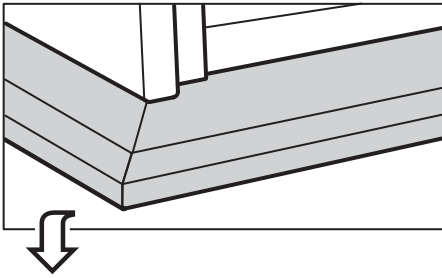
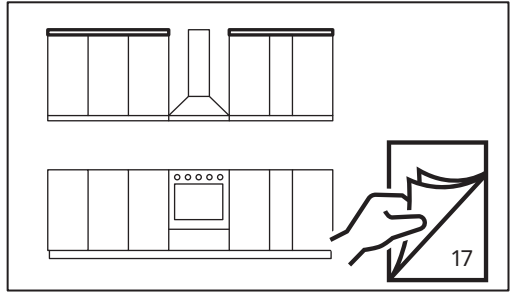
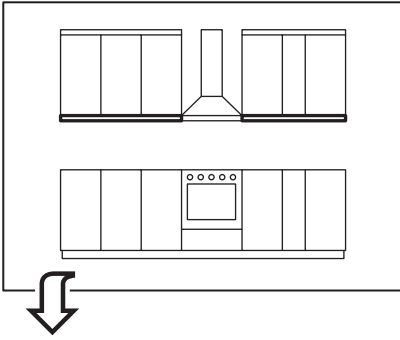
10x



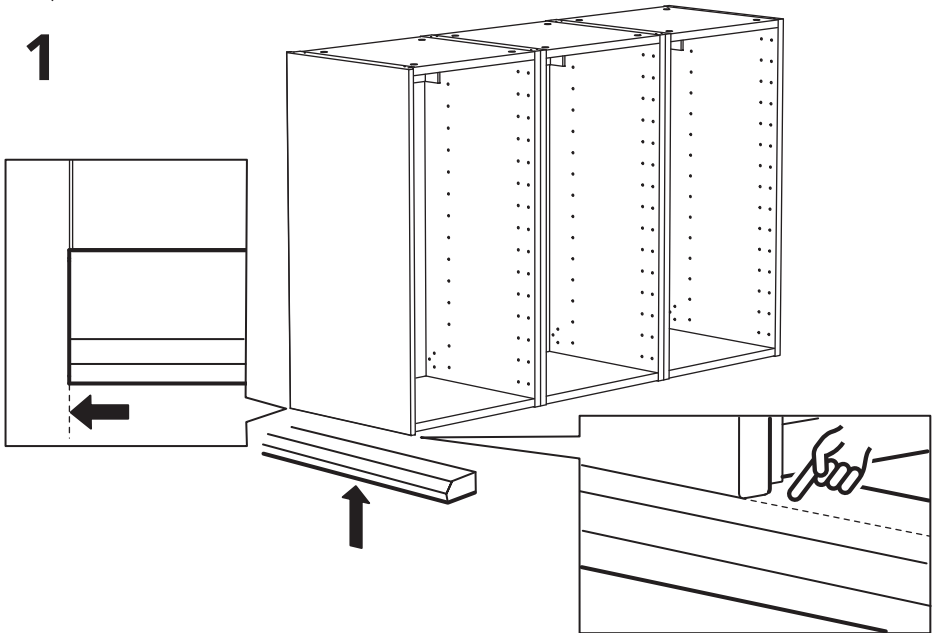
102437

2x

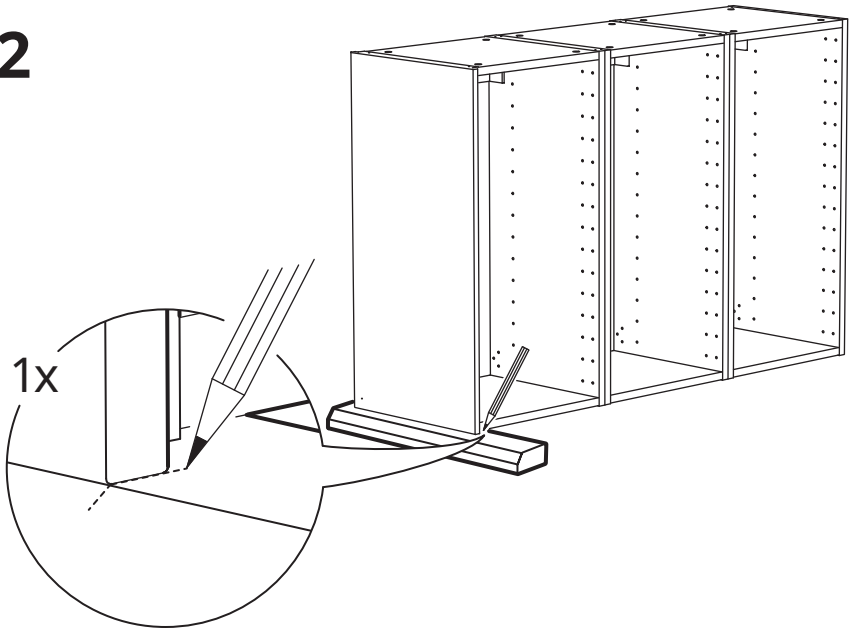




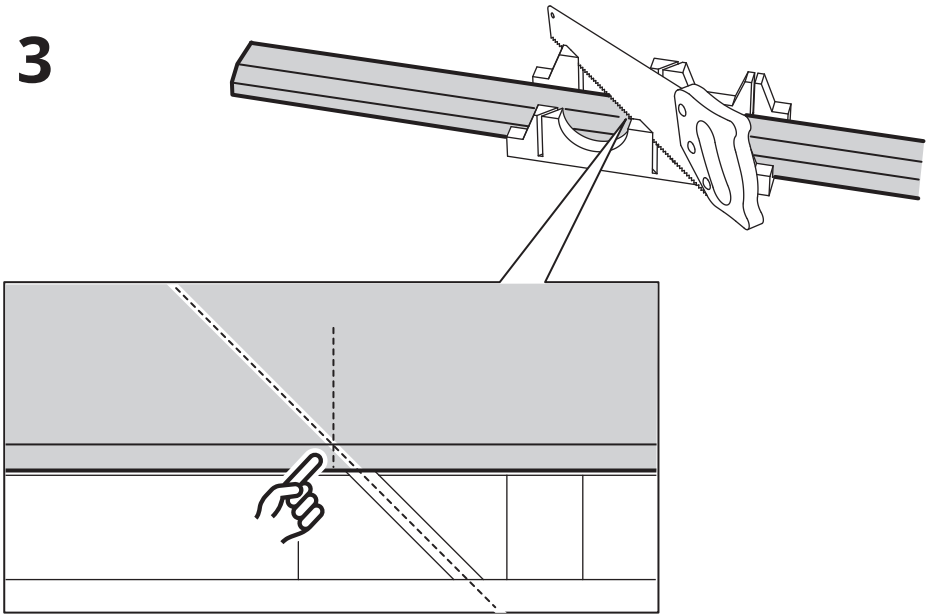
**1**



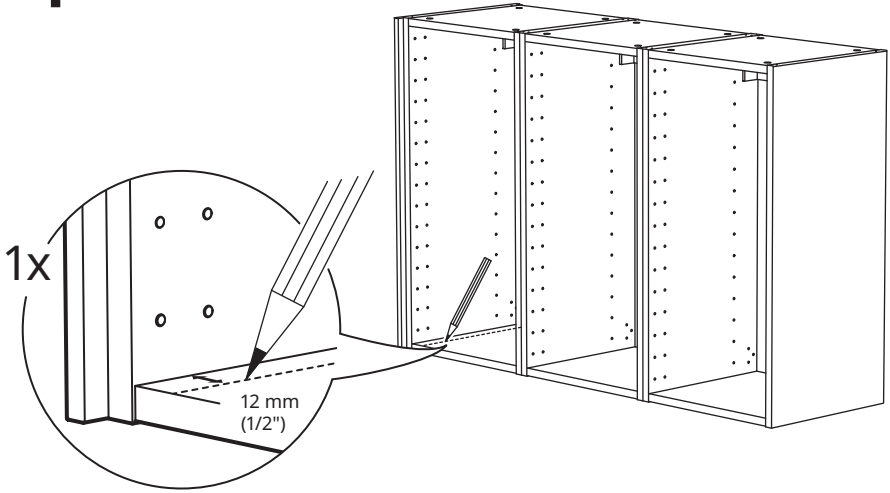
2



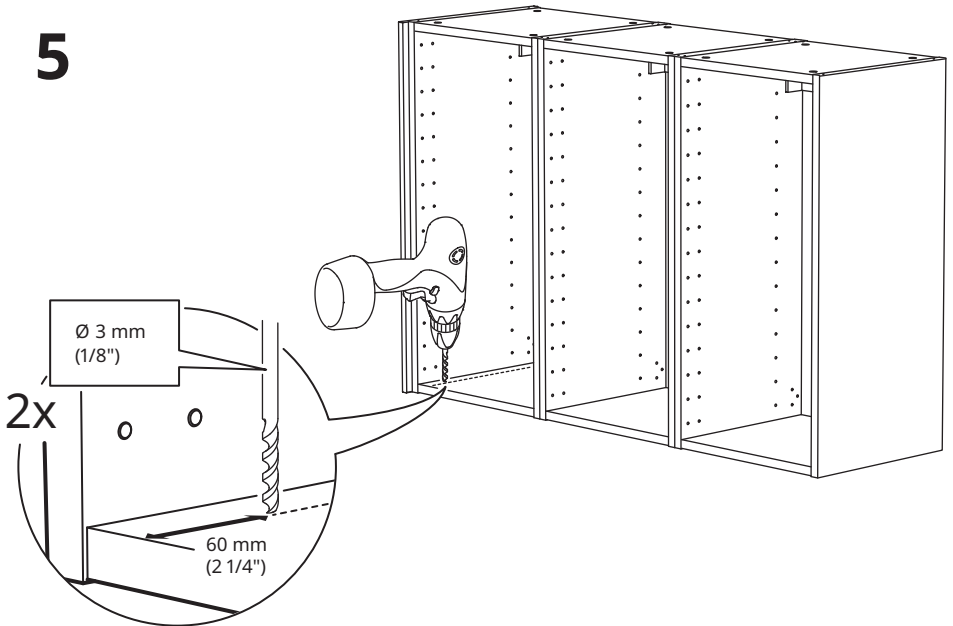
3

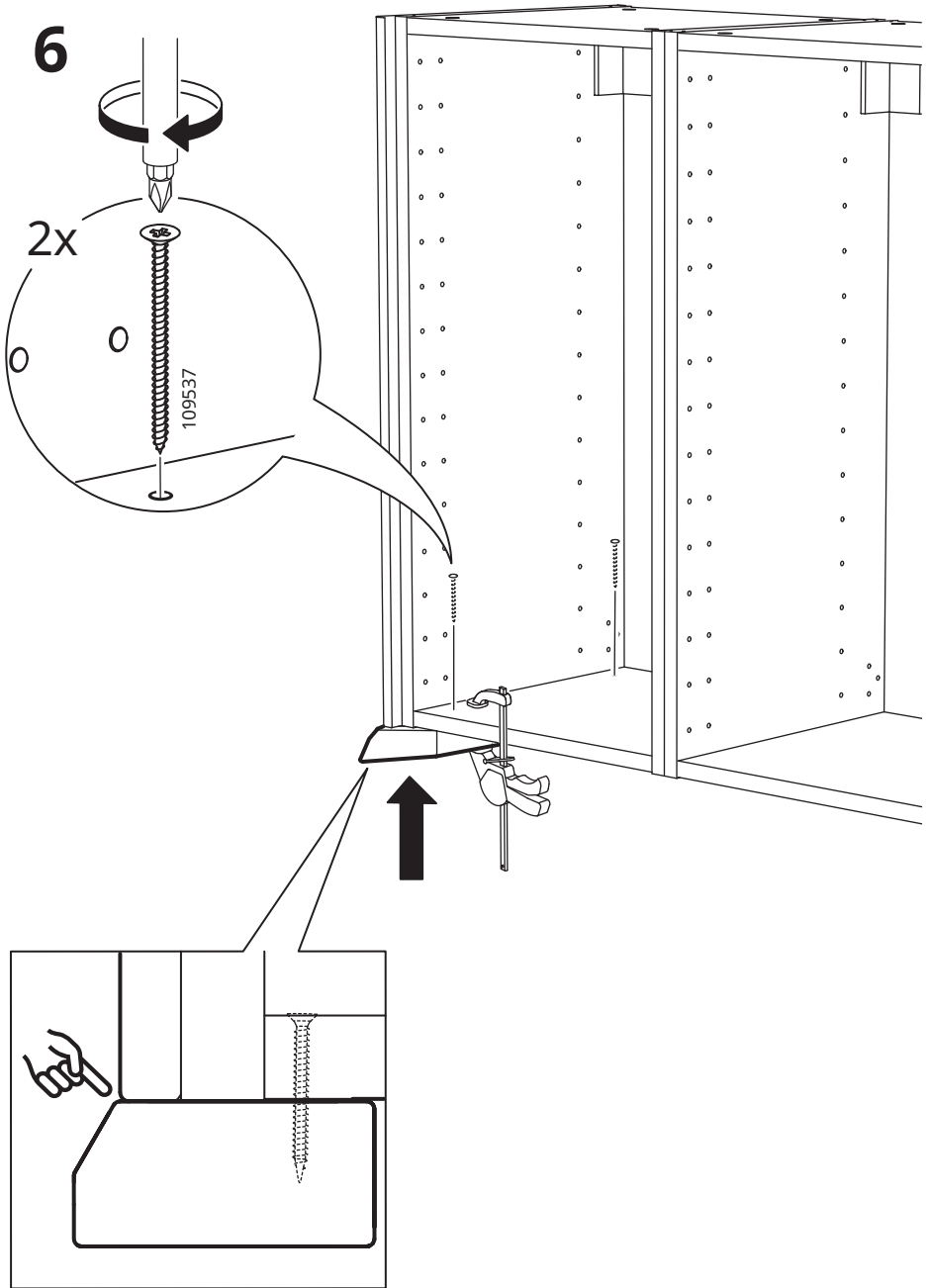


4



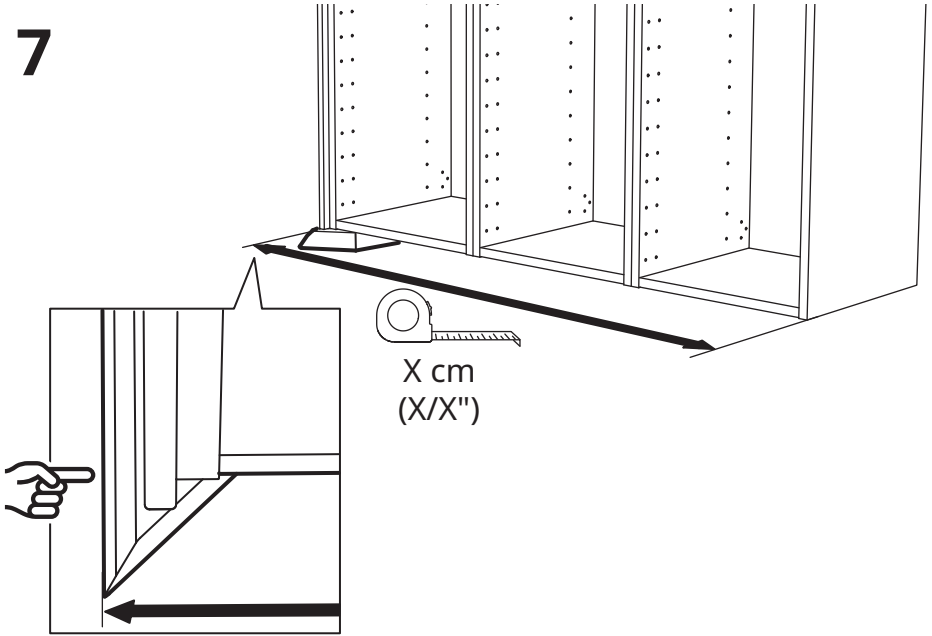
5



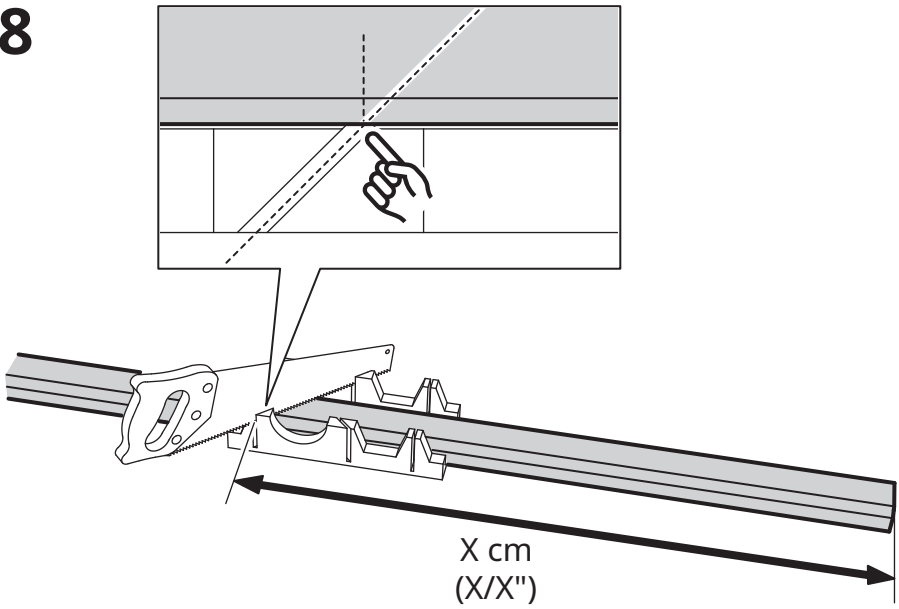




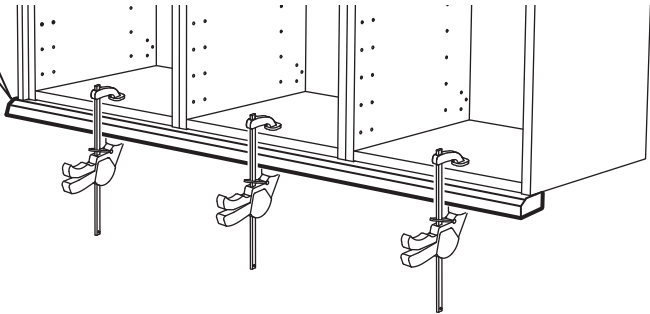
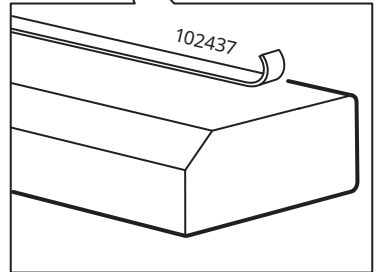
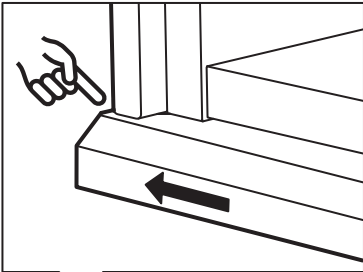
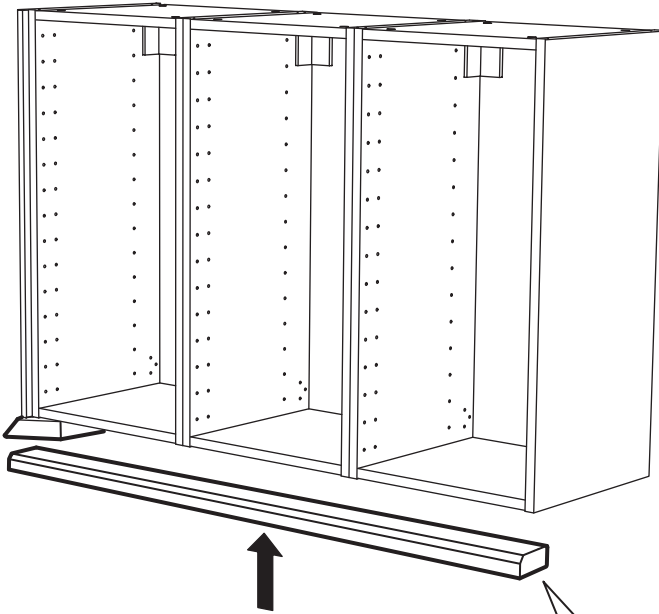
7



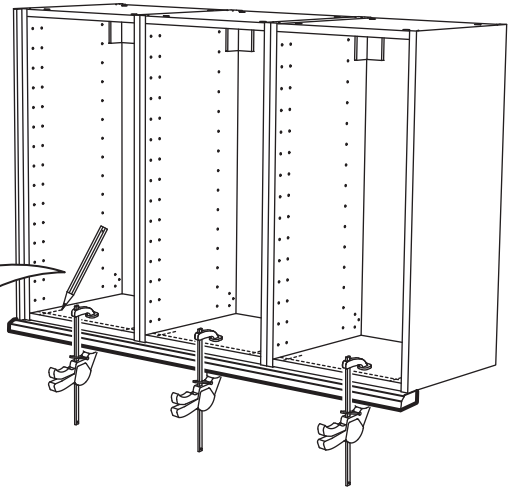
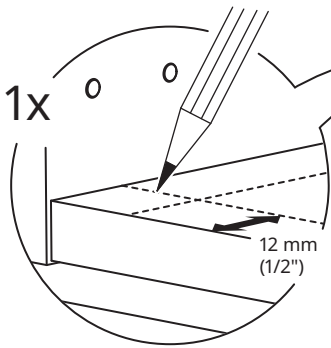
8



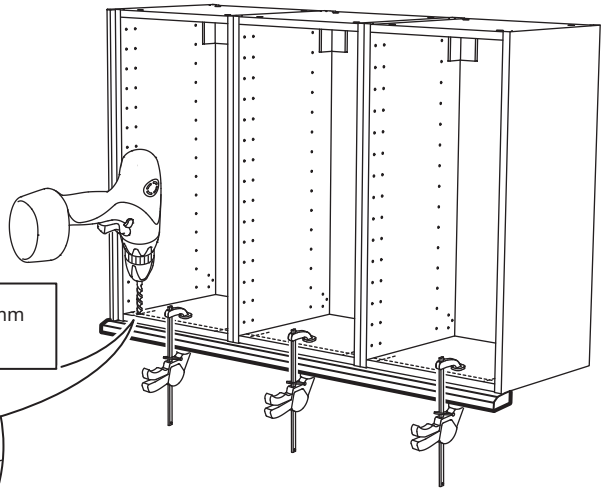
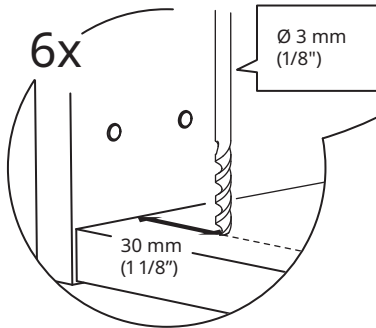
9



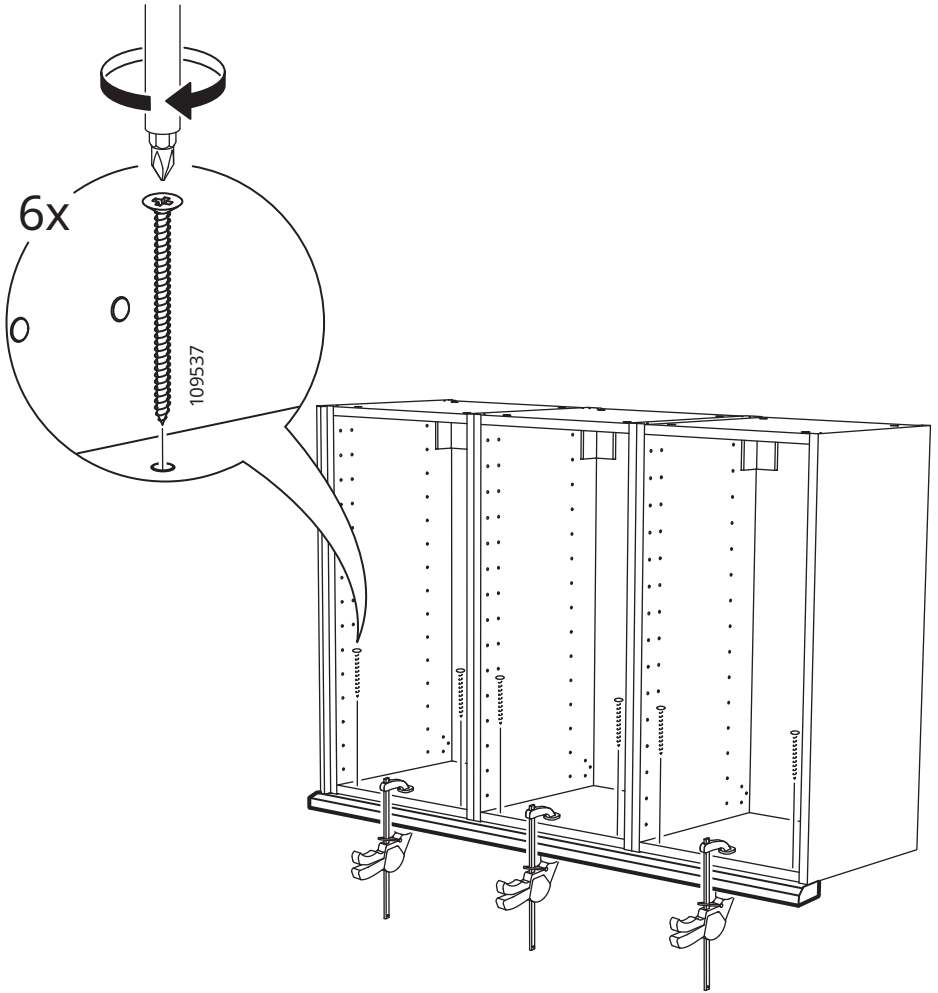
# 10

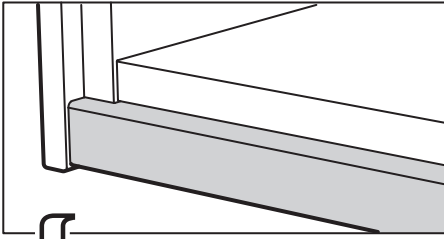


# 11

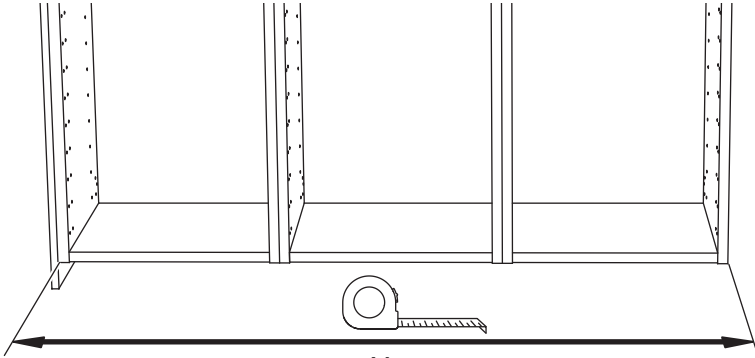


# 12



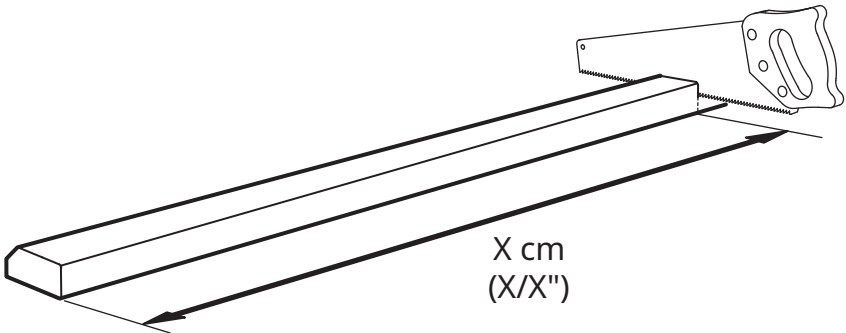


**1**



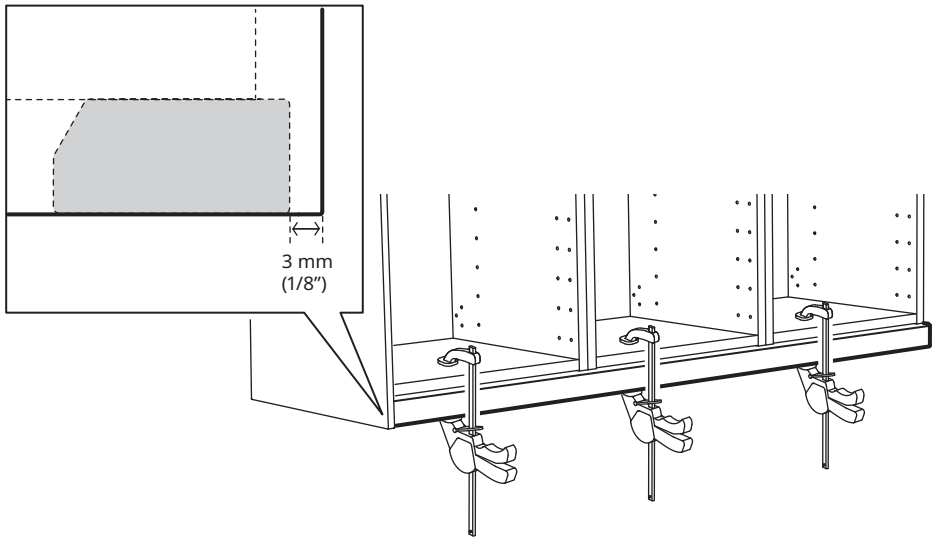
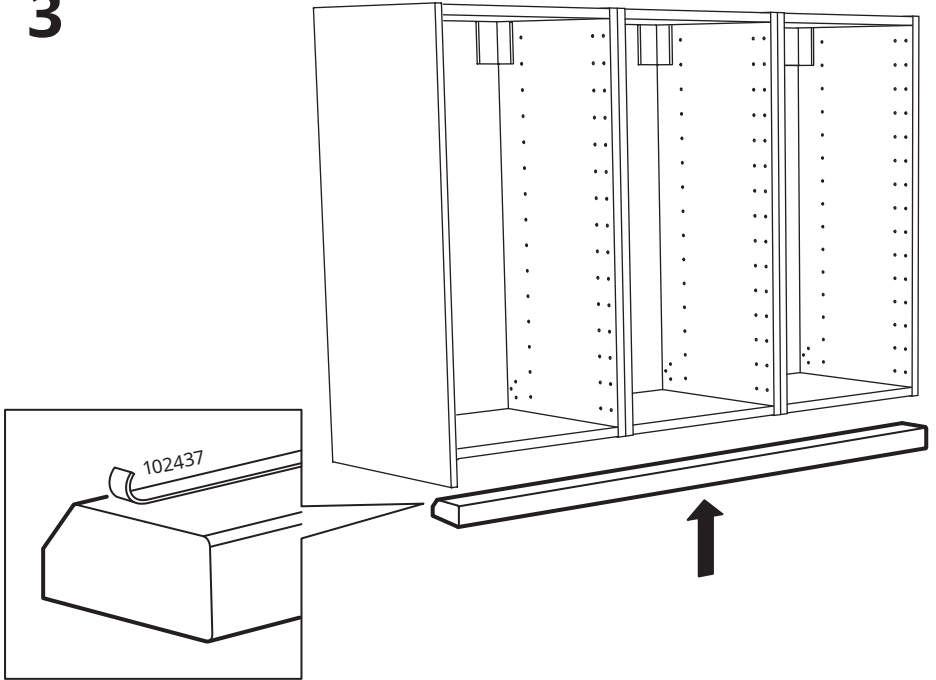
X cm  
(X/X")

**2**

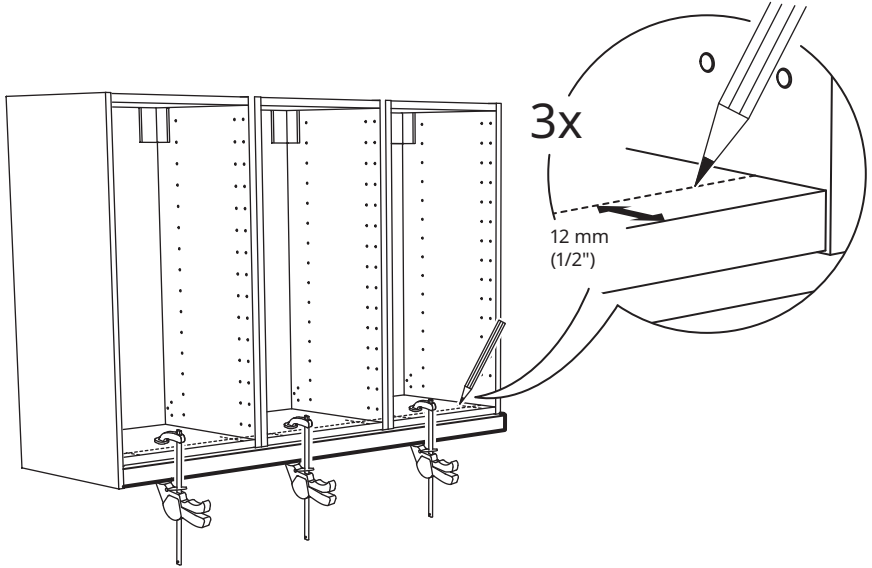


X cm  
(X/X")

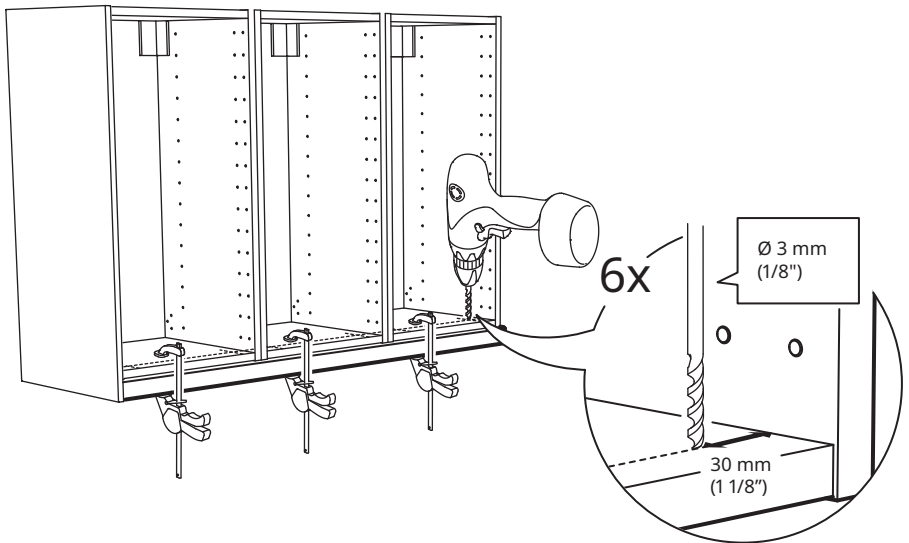
3



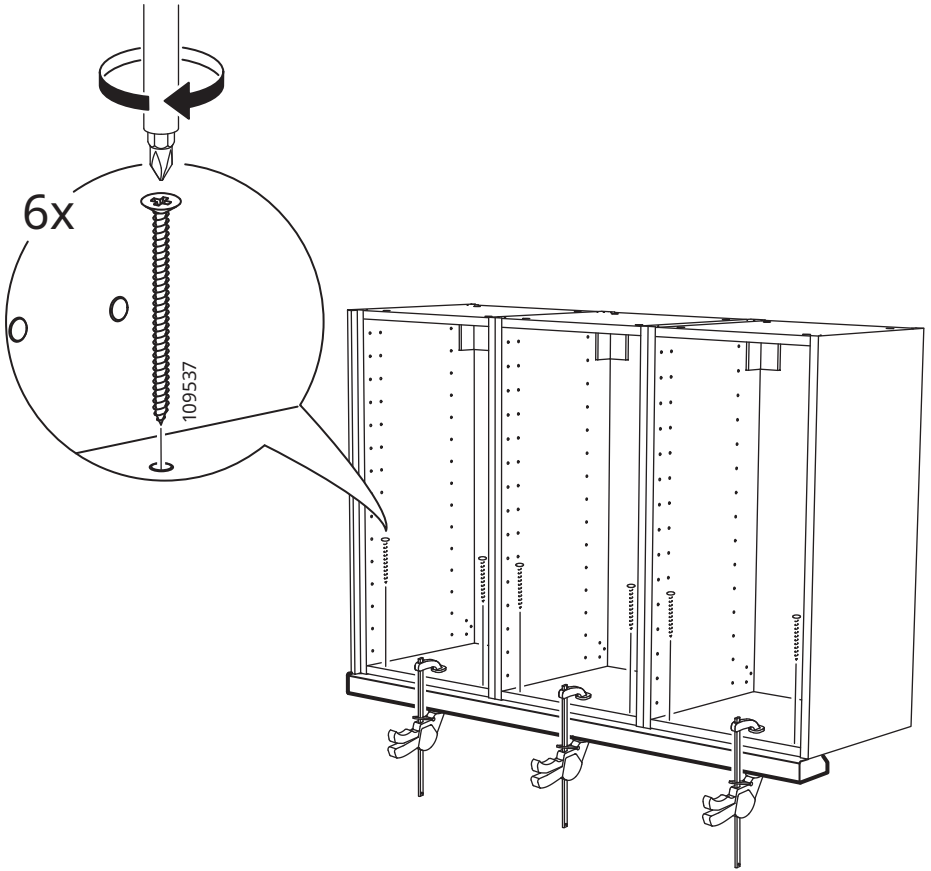
4



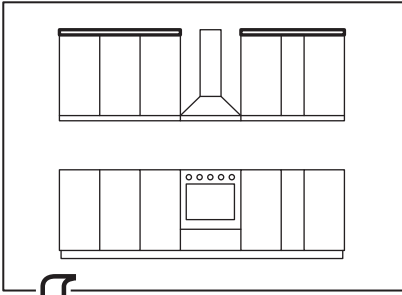
5



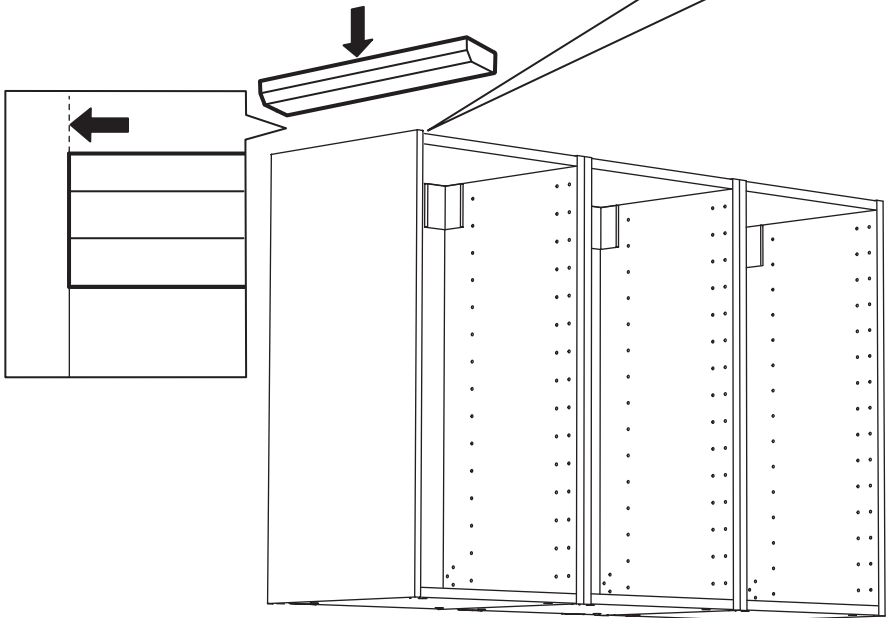
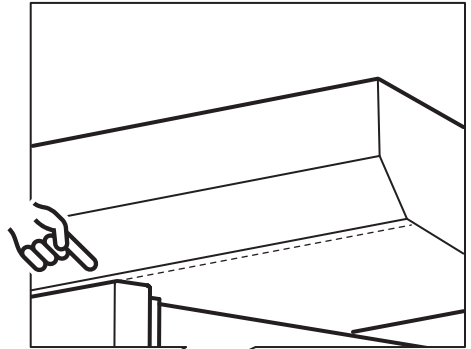
6





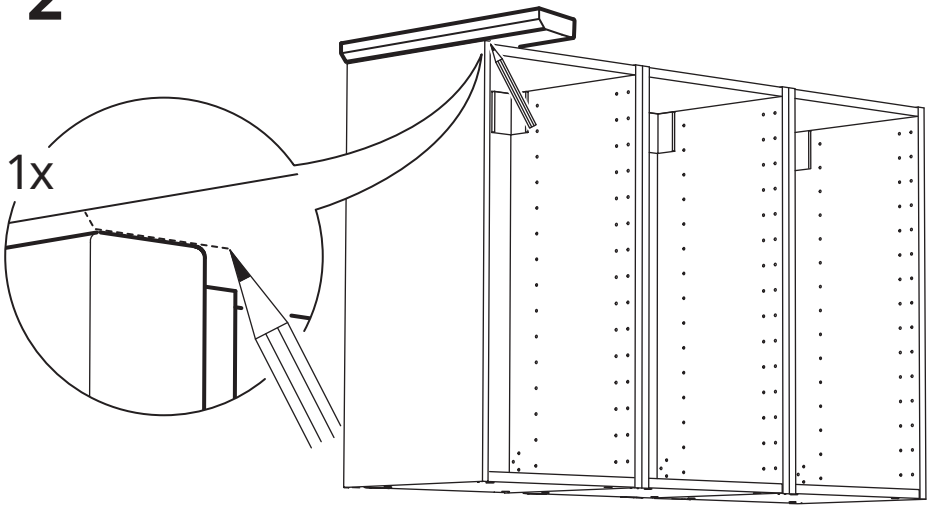


1

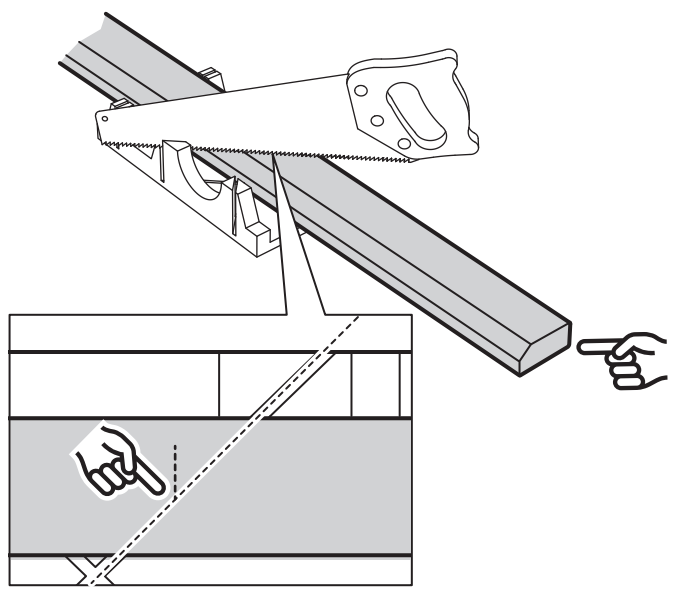


2

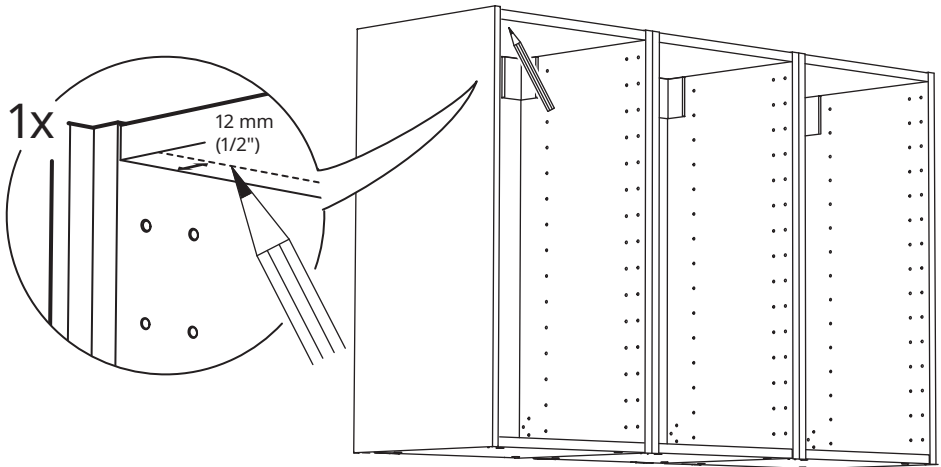
1x



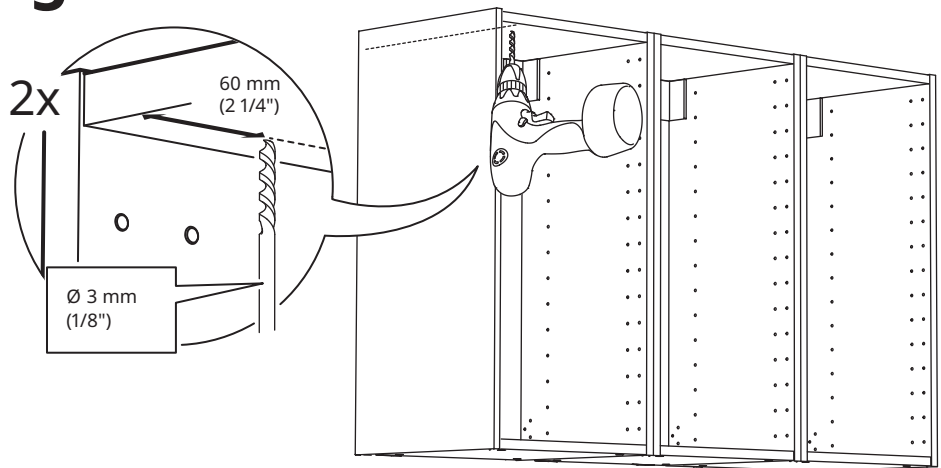
3



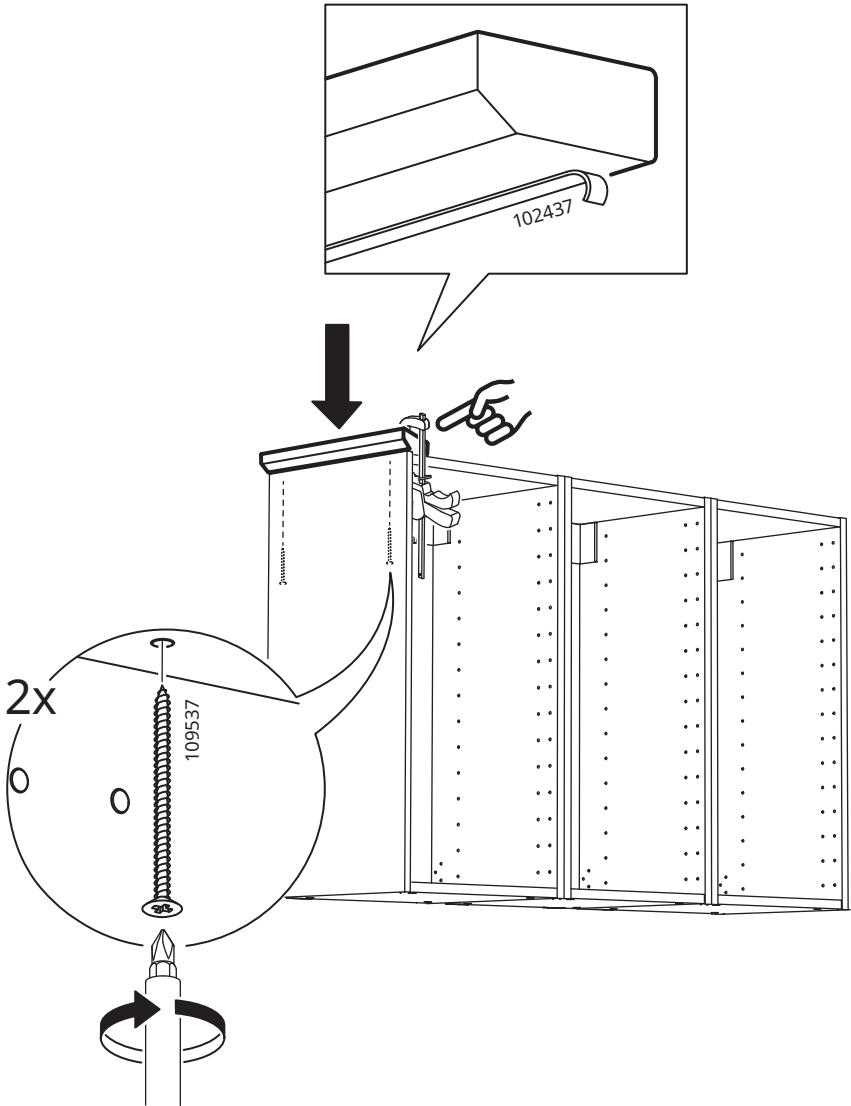
4



5

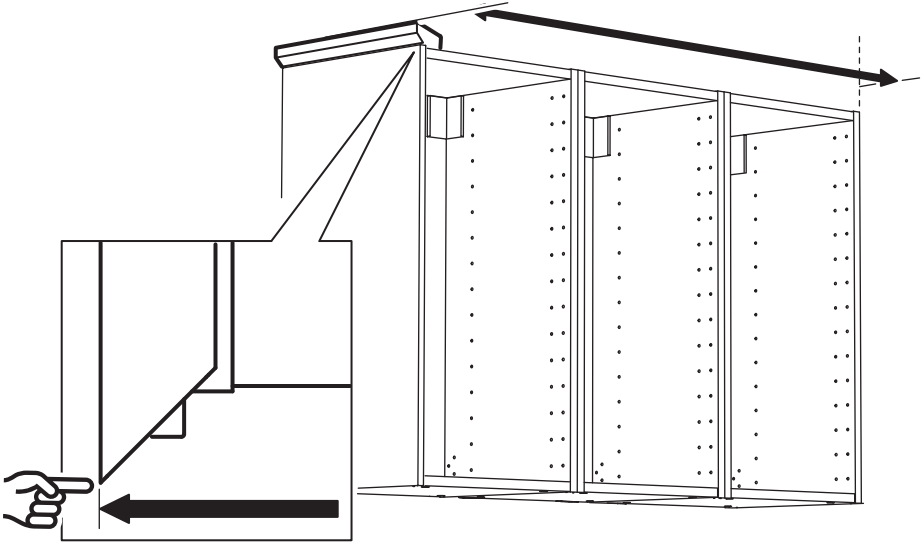
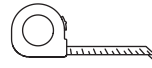


6

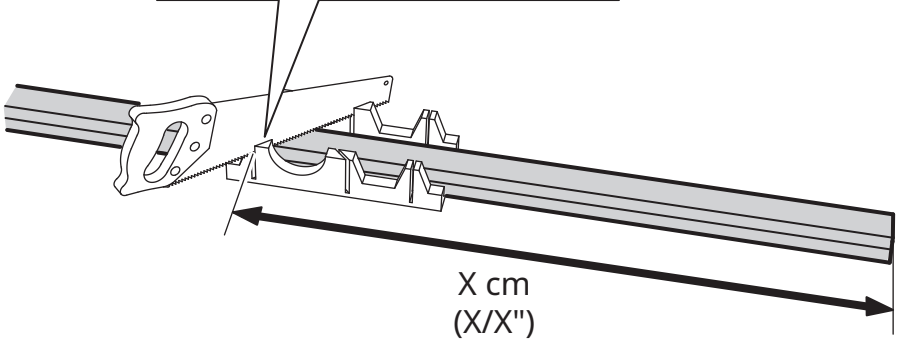
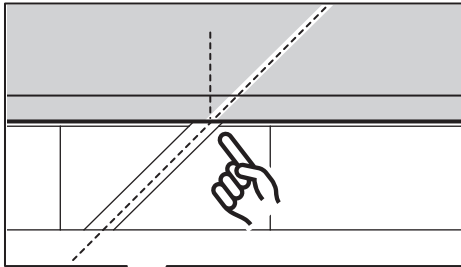


7

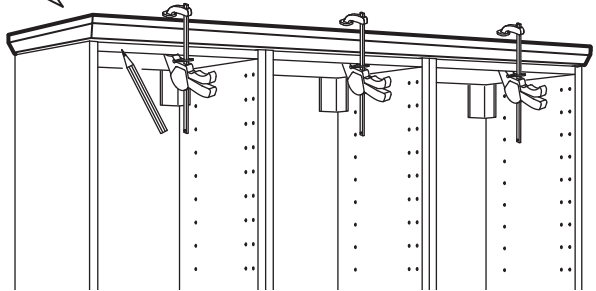
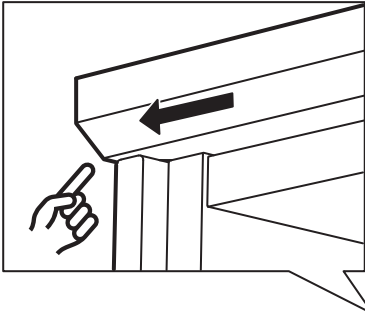
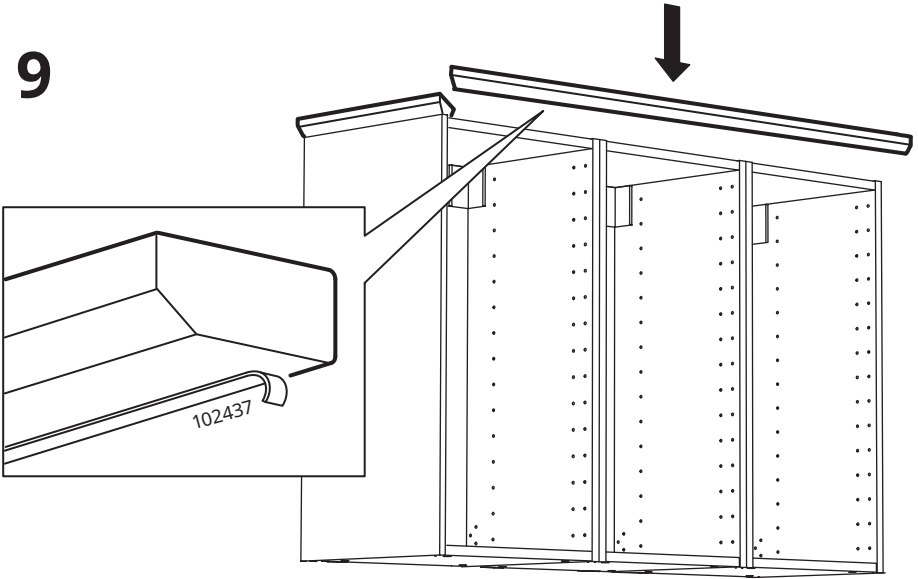
X cm  
(X/X")



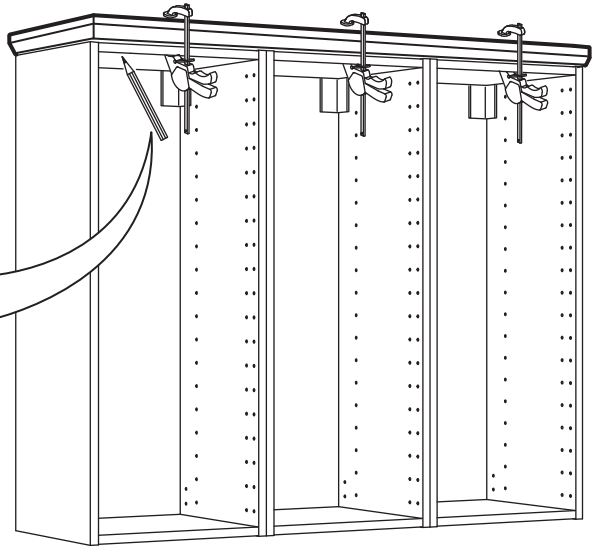
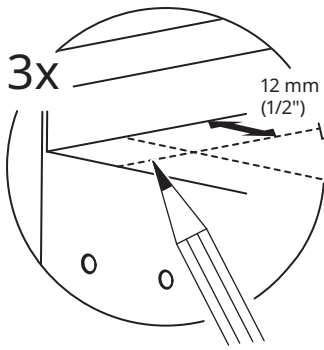
8



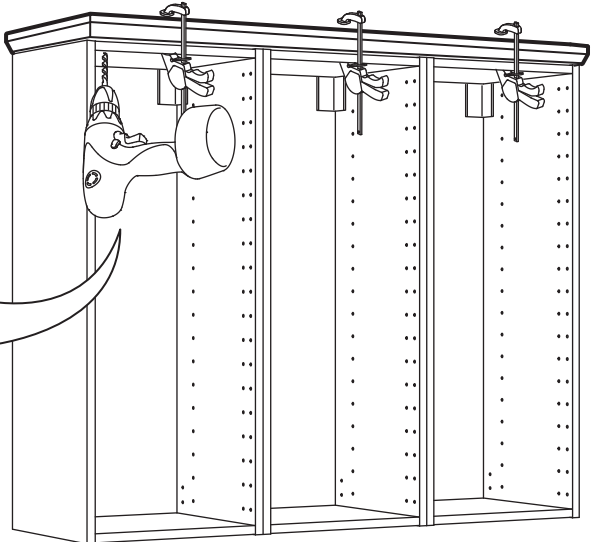
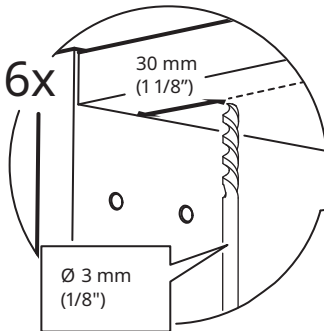
9



10



11



# 12

