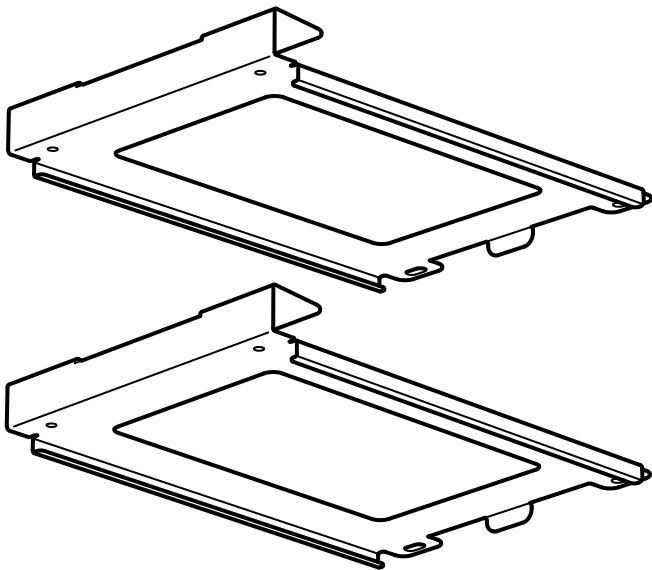
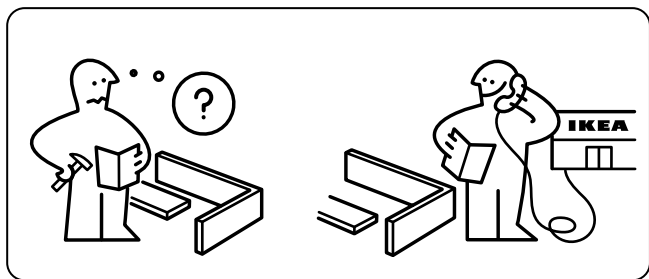
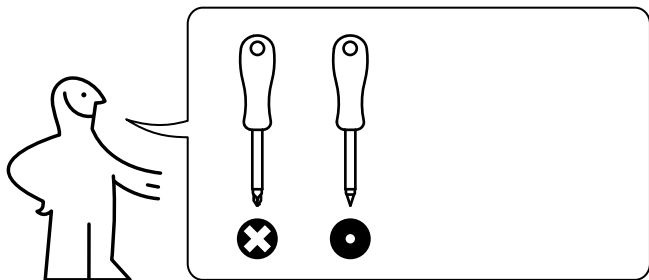
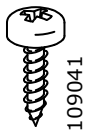


# IKEA 365+

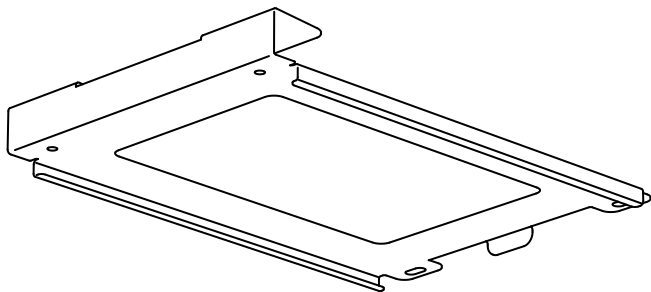


Design and Quality  
IKEA of Sweden



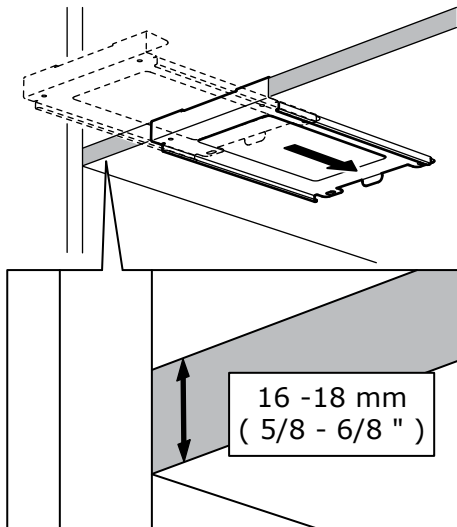


4x

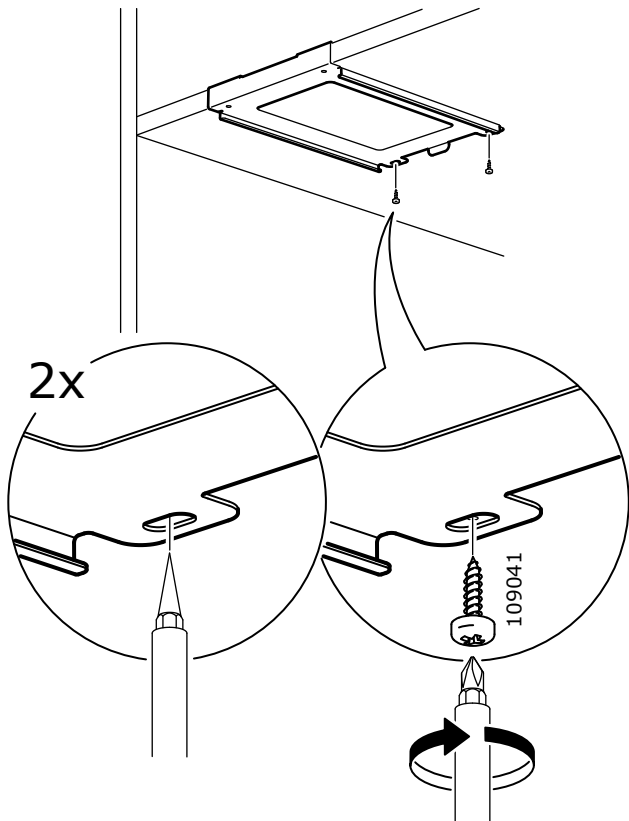


2x

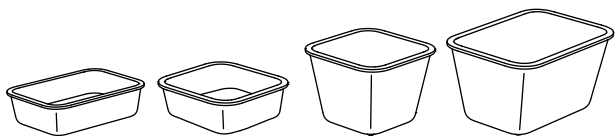
1



# 2



# IKEA 365+



**3**

