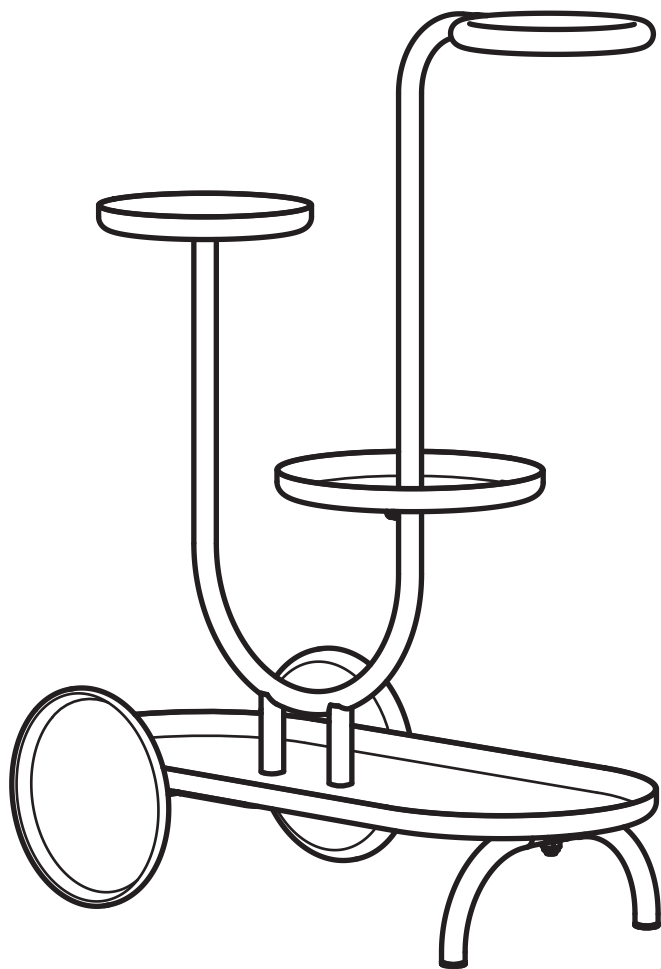
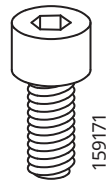
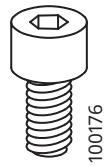
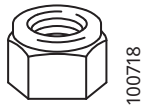
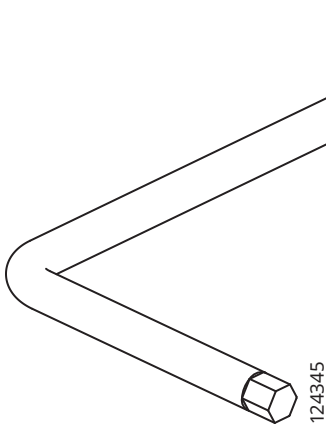
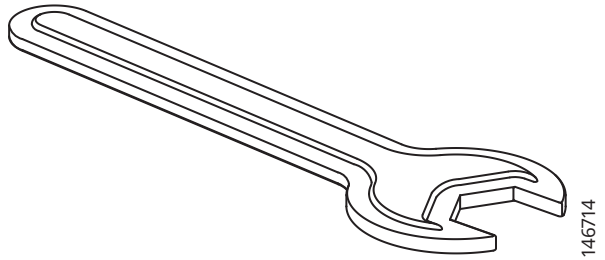
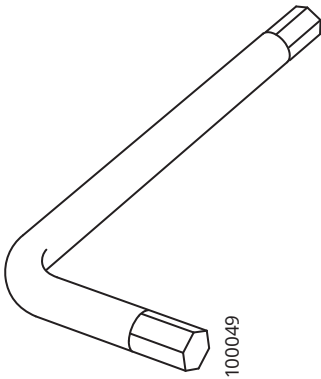
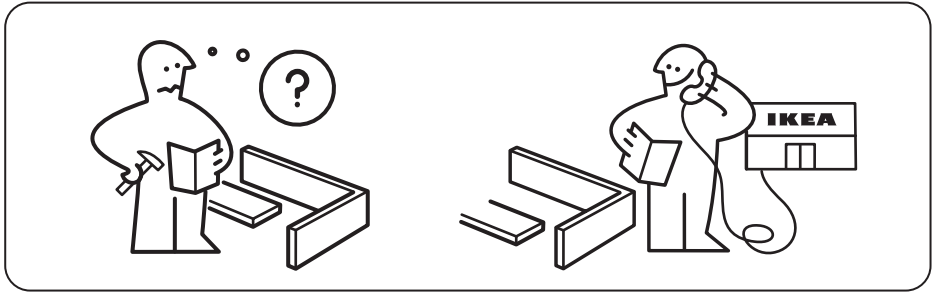


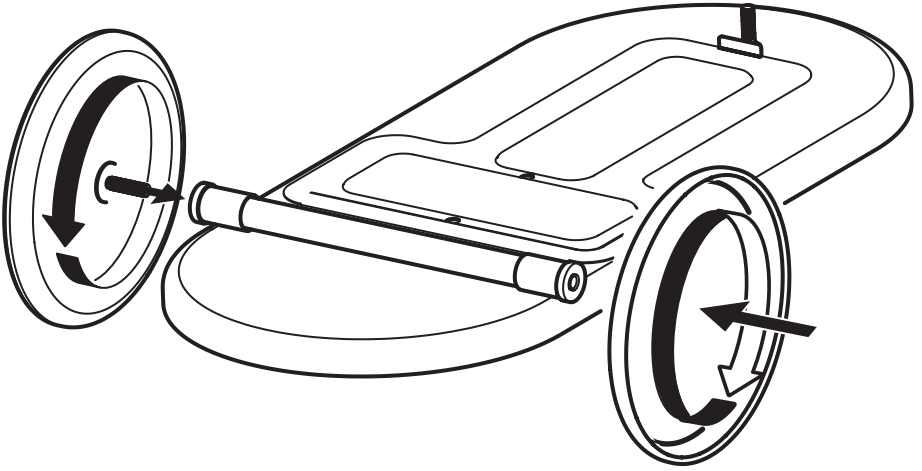
# CHILISTRÅN



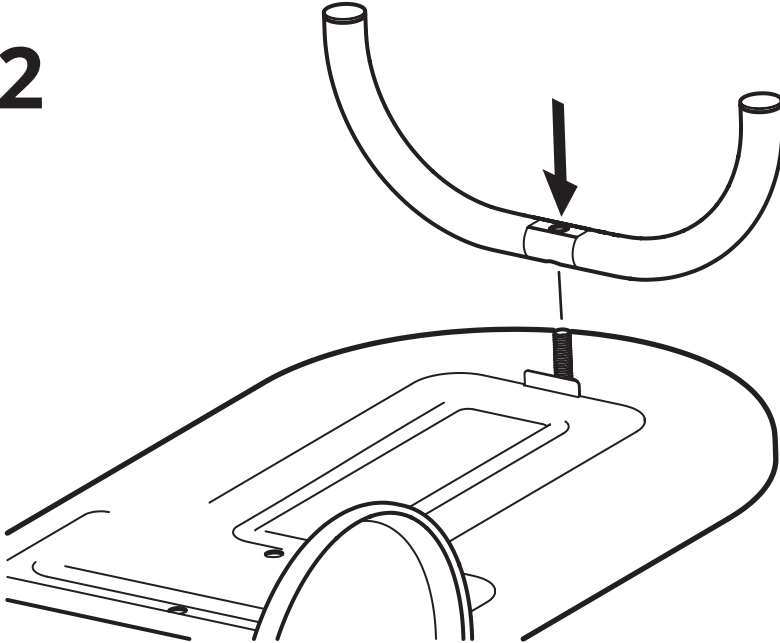
Design and Quality  
IKEA of Sweden



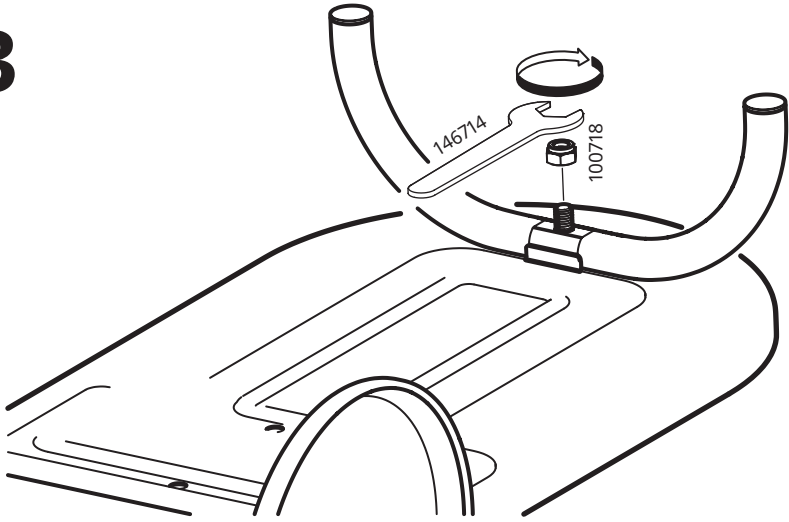
1



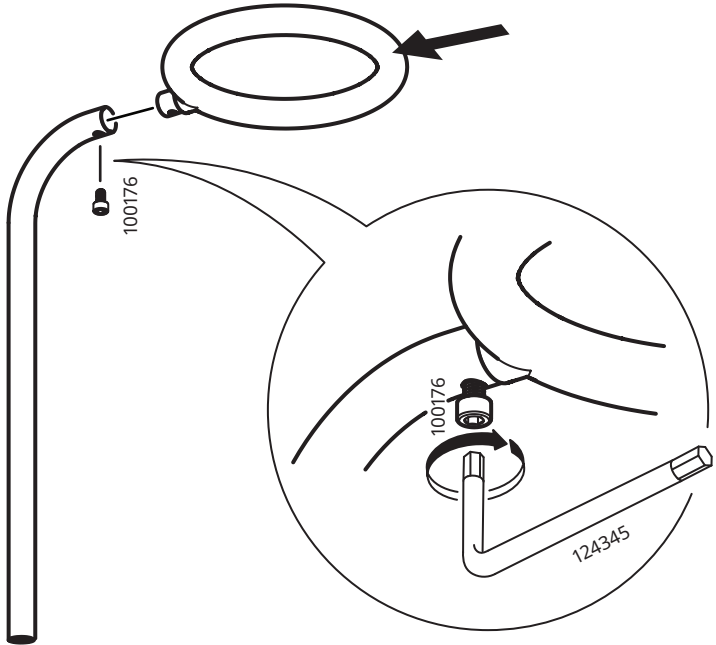
2



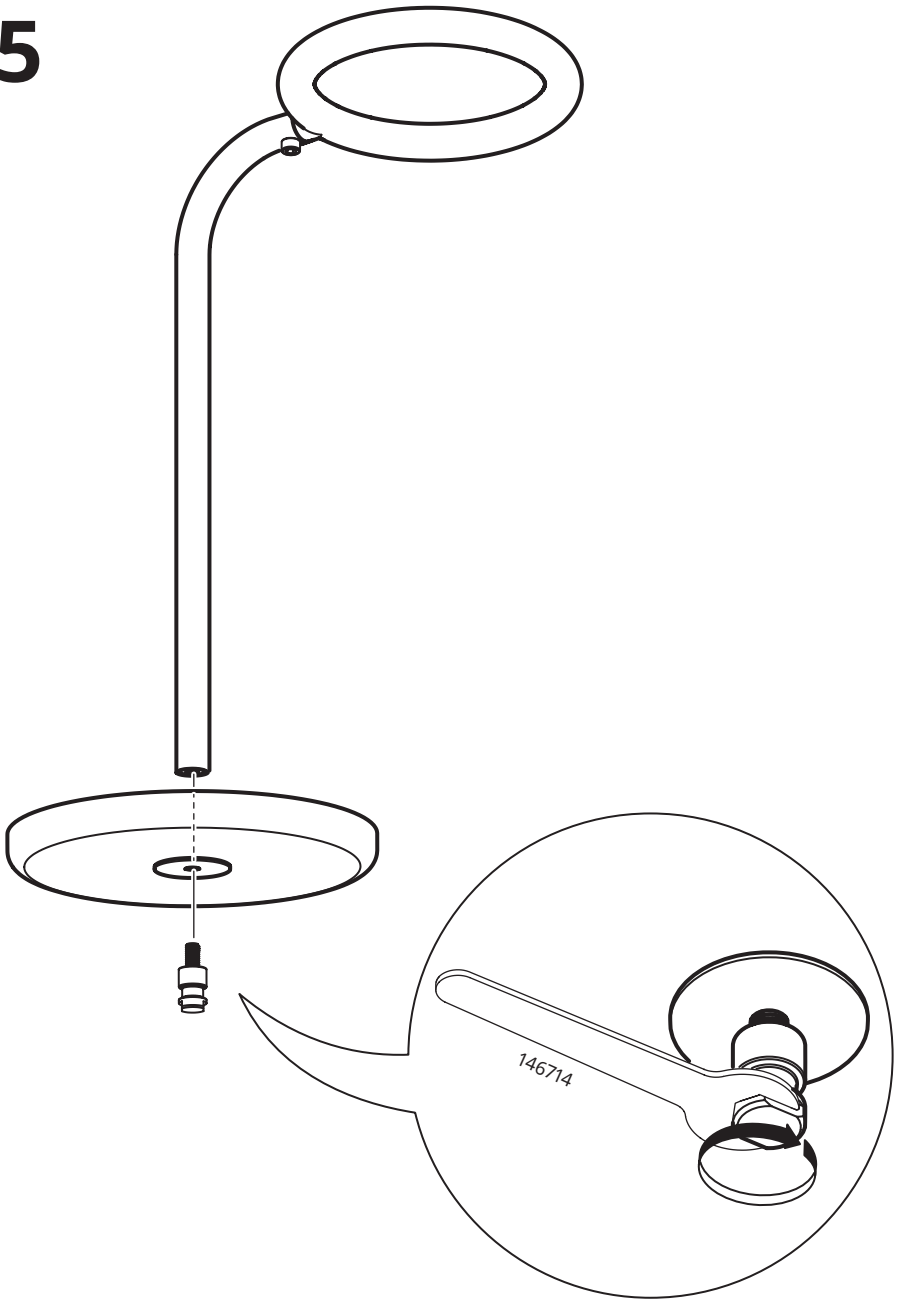
3



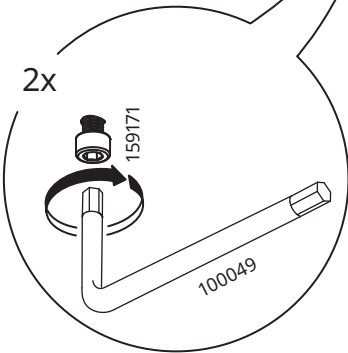
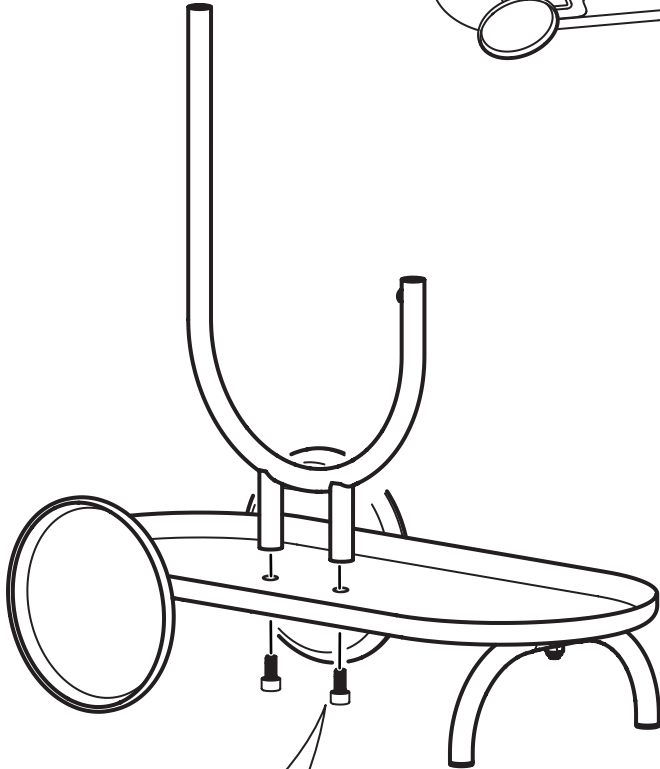
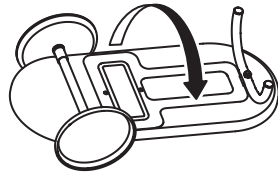
4



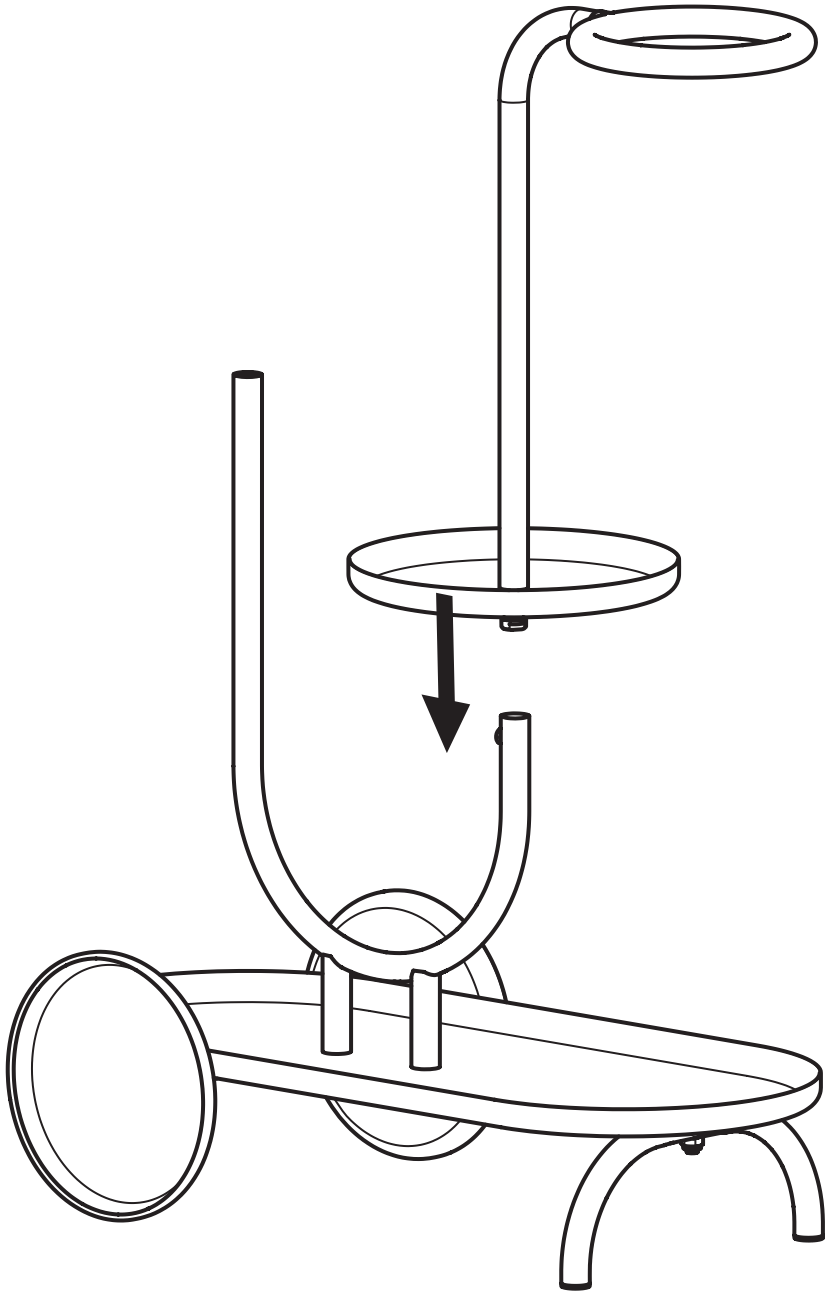
5



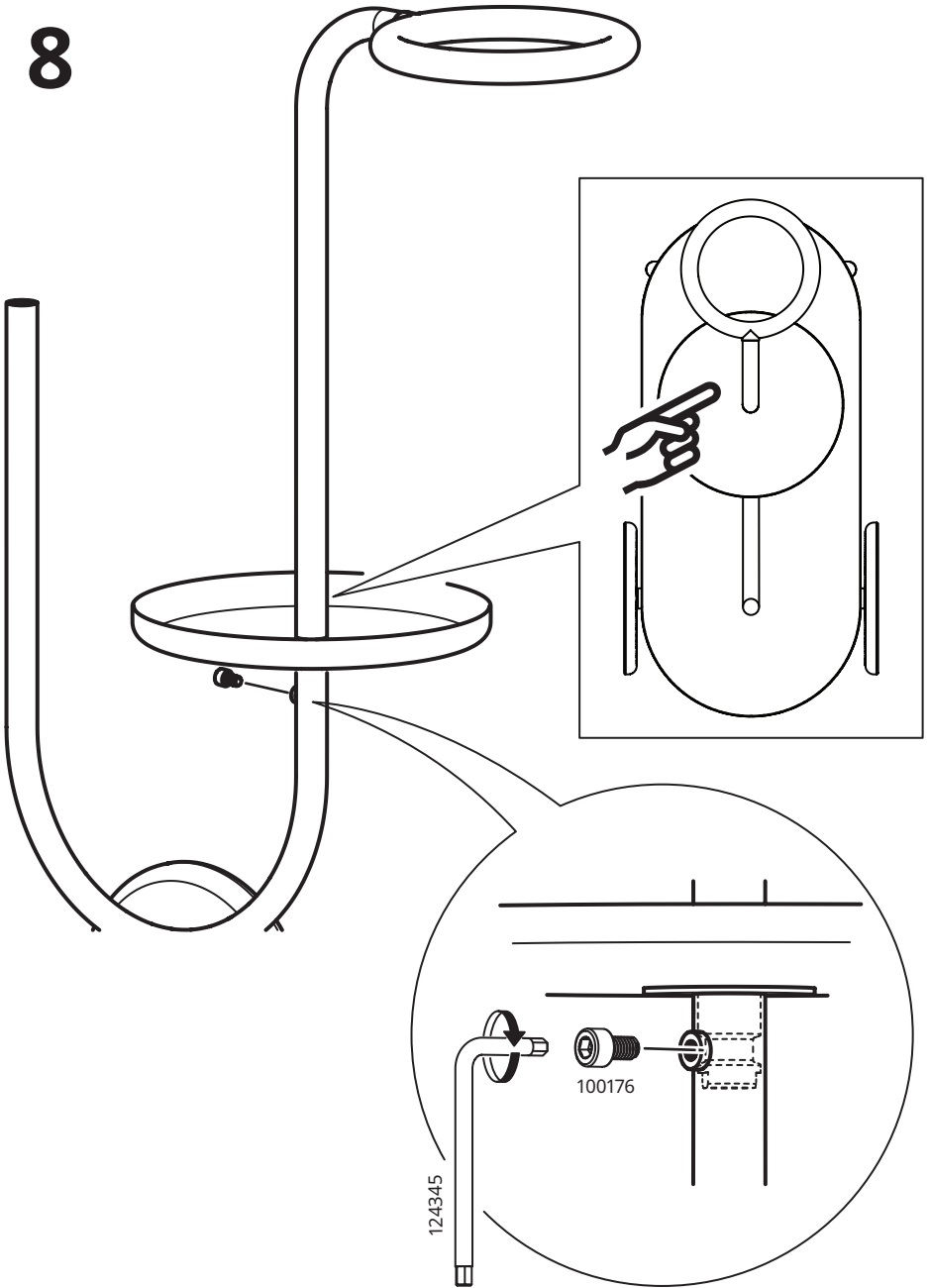
6



7

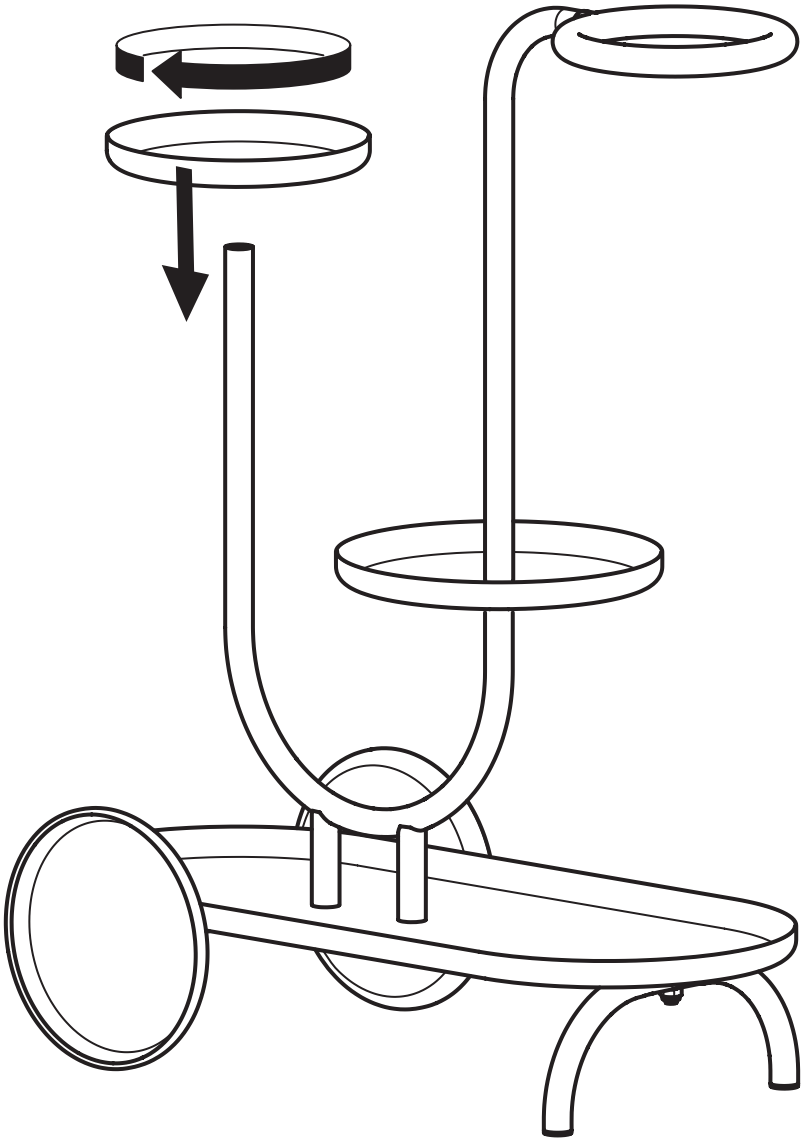


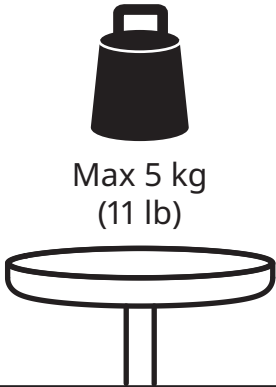
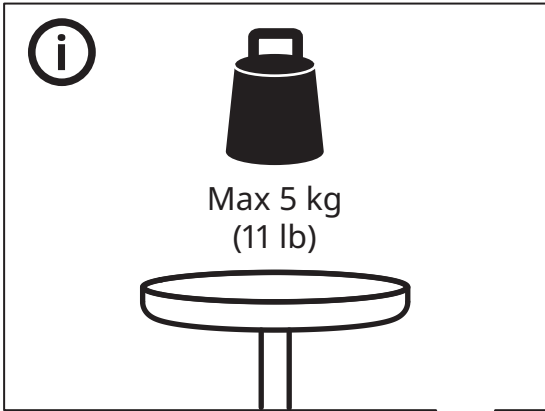
8





9





Max 5 kg  
(11 lb)

