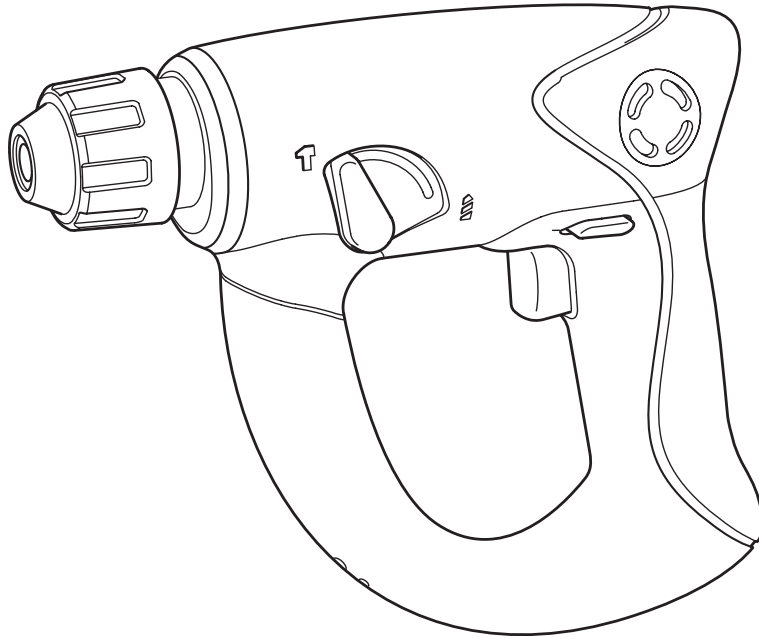


FIXA



GB

DK

IS

NO

FI

SE

ET

LV

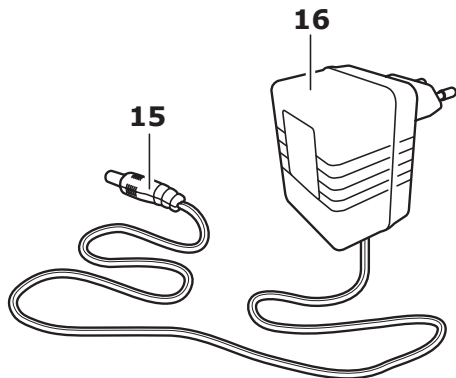
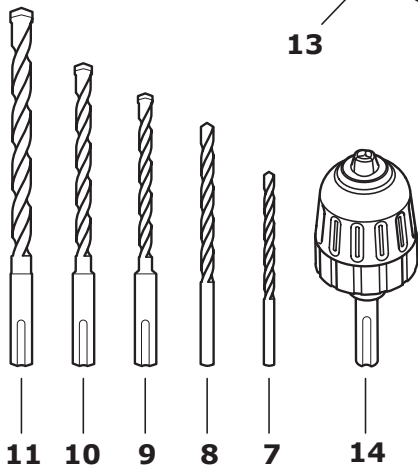
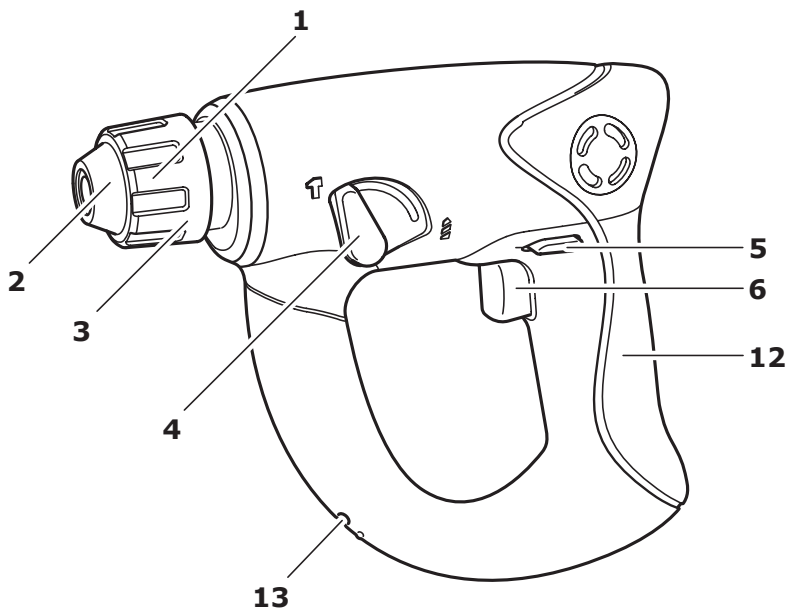
LT

中文

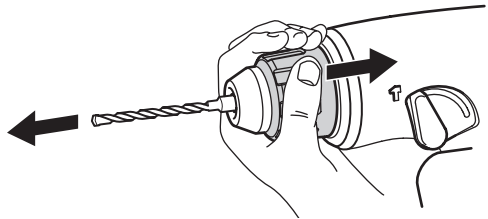
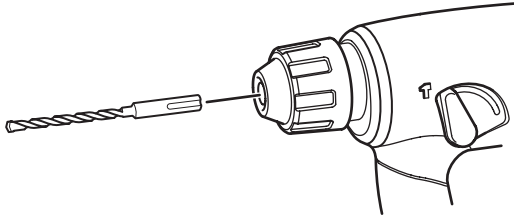
TH



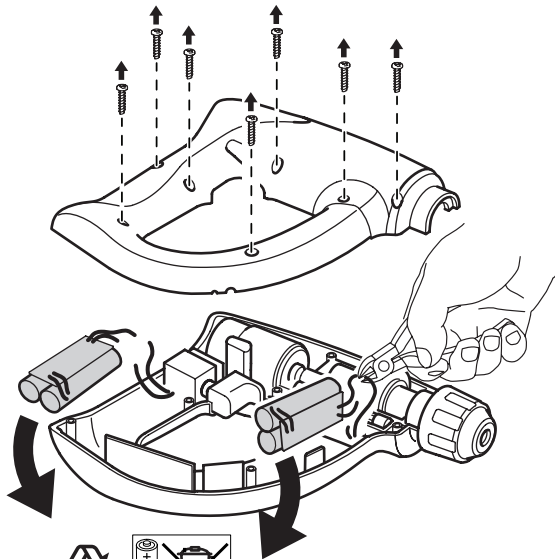
Design and Quality
IKEA of Sweden



A



B



ENGLISH	4
Original instructions	
DANSK	13
Oversat fra de originale anvisninger.	
ÍSLENSKA	22
Þýtt úr upprunalegum leiðbeiningum.	
NORSK	30
Oversatt fra de opprinnelige instruksjonene.	
SUOMI	39
Käännetty alkuperäisistä ohjeista.	
SVENSKA	48
Översatt från de ursprungliga	
EESTI	57
Tõlgitud originaaljuhiste järgi.	
LATVIEŠU	66
Orģinālās instrukcijas tulkojums.	
LIETUVIŲ	75
OriginaliŲ instrukcijŲ vertimas.	
ไทย	83
แปลจากคํานําแนะนําแรกเริ่ม	

FIXA Hammer drill Li-Ion 14.4V**TECHNICAL SPECIFICATIONS**

Voltage: 14.4 V

Rated speed: 0-900 rpm

Impact rate: 0-4800 bpm

Impact energy per stroke: 1.0 J

Tool holder: SDS plus

Max drilling dia.:

-concrete (with twist drill) 10 mm (3/8")

-steel 8 mm (5/16")

-wood 10 mm (3/8")

Battery: Lithium-ion battery

Capacity: 1.5 Ah

Number of battery cells: 4

Charging time: 5-7 h

Charger: Local mains voltage

Separate chuck: 10 mm (3/8"), keyless,

quick-fit, quick-release chuck

Weight: 1.3 kg (2.86 lbs)

Vibration (according to EN 60745-1,

EN 60745-2-6)

$< a_{h,D} = 5.9 \text{ m/s}^2$, $K = 1.5 \text{ m/s}^2$

$a_h = 4.7 \text{ m/s}^2$, $K = 1.5 \text{ m/s}^2$

Noise (according to EN 60745-1)

Noise pressure level $L_{pa} = 86 \text{ dB (A)}$,

$K_{pa} = 3 \text{ dB (A)}$

Noise power level $L_{wa} = 97 \text{ dB (A)}$,

$K_{wa} = 3 \text{ dB (A)}$

LIST OF FEATURES

The numbering of the product features shown refers to the illustration of the hammer drill on the graphic page.

1. SDS plus tool holder
2. Dust protection cap
3. Locking sleeve
4. Selector switch for hammer drilling/drilling
5. Rotational direction switch
6. On/Off switch
7. \varnothing 3mm (1/8") wood bit, to be used with exchange chuck (for drilling without

- impact)
8. \varnothing 5mm (3/16") wood bit, to be used with exchange chuck (for drilling without impact)
9. \varnothing 5mm (3/16") SDS bit (for drilling with impact)
10. \varnothing 6mm (1/4") SDS bit (for drilling with impact)
11. \varnothing 8mm (5/16") SDS bit (for drilling with impact)
12. Handle (insulated gripping surface)
13. Socket for charge connector and light diode
14. Exchange chuck
15. Charge connector
16. Transformer for charger

AREAS OF USE

This hammer drill is intended for hammer drilling in concrete, brick and stone, and is also suitable for drilling without impact in wood, metal, ceramic and plastic with the separate chuck that is included. Machines with electronic control and right/left rotation are also suitable for screwdriving.

Use the battery charger only when you fully understand and can perform all functions without limitation, or have received appropriate instructions.

GENERAL SAFETY INSTRUCTIONS**General safety instructions for power tools**

Warning!



Read all safety warnings and all instructions. Failure to follow all the warnings and instructions may result in electric shock, fire and/or serious injury.

Save all warnings and instructions for future reference.

The term “power tool” in all of the warnings listed below refers to your mains operated (corded) power tool or battery operated (cordless) power tool.

Work area safety

a. **Keep work area clean and well lit.** Cluttered and dark areas invite accidents.

b. **Do not operate power tools in explosive atmospheres, such as in the presence of flammable liquids, gases or dust.** Power tools create sparks which may ignite the dust of fumes.

c. **Keep children and bystanders away while operating a power tool.** Distractions can cause you to lose control.

Electrical safety

a. **Power tool plugs must match the outlet. Never modify the plug in any way. Do not use any adapter plugs with earthed (grounded) power tools.** Unmodified plugs and matching outlets will reduce risk of electric shock.

b. **Avoid body contact with earthed or grounded surfaces such as pipes, radiators, ranges and refrigerators.** There is an increased risk of electric shock if your body is earthed or grounded.

c. **Do not expose power tools to rain or wet conditions.** Water entering a power tool will increase the risk of electric shock.

d. **Do not abuse the cord. Never use the cord for carrying, pulling or unplugging the power tool. Keep the cord away from heat, oil, sharp edges**

or moving parts. Damaged or entangled cords increase the risk of electric shock.

e. **When operating a power tool outdoors, use an extension cord suitable for outdoor use.** Use of a cord suitable for outdoor use reduces the risk of electric shock.

f. **If operating a power tool in a damp location is unavoidable, use a residual current device (RCD) protected supply.** Use of an RCD reduces the risk of electric shock.

Personal safety

a. **Stay alert, watch what you are doing and use common sense when operating a power tool. Do not use a power tool while you are tired or under the influence of drugs, alcohol or medication.** A moment of inattention while operating power tools may result in serious personal injury.

b. **Use personal protective equipment. Always wear eye protection.** Protective equipment such as dust mask, non-skid safety shoes, hard hat, or hearing protection used for appropriate conditions will reduce personal injuries.

c. **Prevent unintentional starting: Ensure that the switch is in the off-position before connecting to power source and/or battery pack, picking up or carrying the tool.** Carrying power tools with your finger on the switch or plugging in power tools that have the switch on invites accidents.

d. **Remove any adjusting key or wrench before turning the power tool on.** A wrench or a key left attached to a rotating part of the power tool may result in personal injury.

e. **Do not overreach. Keep proper footing and balance at all times.** This enables better control of the power tool in unexpected situations.

f. **Dress properly. Do not wear loose clothing or jewellery. Keep your hair, clothing and gloves away from moving parts.** Loose clothes, jewellery or long hair can be caught in moving parts.

g. **If devices are provided for the connection of dust extraction and collection facilities, ensure these are connected and properly used.** Use of these devices can reduce dust related hazards.

Power tool use and care

a. **Do not force the power tool. Use the correct power tool for your application.** The correct power tool will do the job better and safer at the rate for which it was designed.

b. **Do not use the power tool if the switch does not turn it on and off.** Any power tool that cannot be controlled with the switch is dangerous and must be repaired.

c. **Disconnect the plug from the power source and/or the battery pack before making any adjustments, changing accessories, or storing power tools.** Such preventive safety measures reduce the risk of starting the power tool accidentally.

d. **Store idle power tools out of the reach of children and do not allow persons unfamiliar with the power tool or these instructions to operate the power tool.** Power tools are dangerous in the hands of untrained users.

e. **Maintain power tools. Check for misalignment or binding of moving parts, breakage of parts and any other condition that may affect the power tools operation. If damaged, have the power tool repaired before use.** Many accidents are caused by poorly maintained power tools.

f. **Keep cutting tools sharp and clean.** Properly maintained cutting tools with sharp cutting edges are less likely to bind and are easier to control.

g. **Use the power tool, accessories and tool bits, etc. in accordance with these instructions and in the manner intended for the particular type of power tool, taking into account the working conditions and the work to be performed.** Use of the power tool for operations different from those intended could result in a hazardous situation.

h) **Hold the power tool by insulated gripping surfaces, when performing an operation where the fastener may contact with hidden wiring or its own cord.** Fasteners contacting a "live" wire may make exposed metal parts of the power tool "live" and could give the operator an electric shock.

Battery tool use and care

a. **Recharge only with the charger specified by the manufacturer.** A charger that is suitable for one type of battery pack may create a risk of fire when used with another battery pack.

b. **Use power tools only with specifically designated battery packs.** Use of any other battery packs may create a risk of injury and fire.

c. **When battery pack is not in use, keep it away from other metal objects, like paperclips, coins, keys, nails, screws or other small metal objects that can make a connection from one terminal to another.** Shorting the battery terminals together may cause burns or a fire.

d. **Under abusive conditions, liquid may be ejected from the battery; avoid contact. If contact accidentally occurs, flush with water. If liquid contacts eyes, additionally seek medical help.** Liquid ejected from the battery may cause irritation or burns.

Service

a. **Have your power tool serviced by a qualified repair person using only identical replacements parts.** This will ensure that the safety of the power tool is maintained.

MACHINE-SPECIFIC SAFETY INSTRUCTIONS

Drill safety warnings

Wear ear protectors when using the hammer drill. Exposure to noise can cause hearing loss.

Use appropriate detectors to determine if utility lines are hidden in the work area or call your local utility company for assistance. Contact with electric lines can lead to fire and electric shock. Damaging a gas line can lead to explosion. Penetrating a water line causes property damage or may cause an electric shock.

Switch off the power tool immediately

when the tool insert jams. Be prepared for high reaction torque that can cause kickback. The tool insert jams when:

- the power tool is subject to overload or
- it becomes wedged in the workpiece

When working with the power tool, always hold it firmly with both hands and provide for a secure stance. The power tool is guided more secure with both hands.

Secure the workpiece. A workpiece clamped with clamping devices or in a vice is held more secure than by hand.

Keep your workplace clean. Blends of materials are particularly dangerous. Dust from light alloys can burn or explode.

Always wait until the machine has come to a complete stop before placing it down. The tool insert can jam and lead to loss of control over the power tool.

Before any work on the machine (e. g., maintenance, tool change, etc.) as well as during transport and storage, set the rotational direction switch to the centre position.

Unintentional actuation of the On/Off switch can lead to injuries.

Protect the power tool against heat, e. g., against continuous intense sunlight, fire, water, and moisture. Danger of explosion.

In case of damage and improper use of the battery, vapours may be emitted. Provide for fresh air and seek medical help in case of complaints. The vapours can irritate the respiratory system.

Safety Warnings for battery chargers



For indoor use only.



Double insulated.

Keep the battery charger away from rain or moisture. Penetration of water in the battery charger increases the risk of an electric shock.

Do not charge other batteries. The battery charger is suitable only for charging the batteries that were supplied with your power tool. Otherwise there is danger of fire and explosion.

Keep the battery charger clean. Contamination can lead to danger of an electric shock.

Before each use, check the battery charger, cable and plug. If damage is detected, do not use the battery charger. Never open the battery charger yourself. Have repairs performed only by a qualified technician. Damaged battery chargers, cables and plugs increase the risk of an electric shock.

Do not operate the battery charger on easily inflammable surfaces (e. g., paper, textiles, etc.) or surroundings. The heating of the battery charger during the charging process can pose a fire hazard.

Children should be supervised to ensure that they do not play with the battery charger.

Products sold in **GB only**: Your product is

fitted with an BS 1363/A approved electric plug with internal fuse (ASTA approved to BS 1362). If the plug is not suitable for your socket outlets, it should be cut off and an appropriate plug fitted in its place by an authorised customer service agent. The replacement plug should have the same fuse rating as the original plug. The severed plug must be disposed of to avoid a possible shock hazard and should never be inserted into a mains socket elsewhere. Products sold in **AUS only**: Use a residual current device (RCD) with a rated residual current of 30 mA or less.

VIBRATION INFORMATION

Vibration level

The vibration emission level stated in this instruction manual has been measured in accordance with a standardised test given in EN 60745. It may be used to compare one tool with another and as a preliminary assessment of exposure to vibration when using the tool for the applications mentioned in this manual. However, using the tool for different applications, or with different or poorly maintained accessories, may significantly increase the exposure level.

An estimation of the level of exposure to vibration should also take into account the times when the tool is switched off or when it is running but not actually doing the job, as this may significantly reduce the exposure level over the total working period.

Protect yourself against the effects of vibration by maintaining the tool and its accessories, keeping your hands warm, and organizing your work patterns.

ASSEMBLY

Before any work on the machine (e. g., maintenance, tool change, etc.) as well as during transport and storage, set the rotational direction switch to the centre position. Unintentional actuation of the On/Off switch can lead to injuries.

Battery charging

Charging your hammer drill

Charging your hammer drill
When the charger is connected to the electricity supply, the red diode on the hammer drill lights up. The diode lights up while the battery is being charged (13).

Under normal conditions of use the hammer drill can be recharged several hundred times.

ATTENTION! The recharging process generates heat in the battery.

Note: The battery that is supplied with the hammer drill has been charged for test purposes only and must be fully charged before first time use.

First read the safety instructions and then follow the loading instructions. Insert the charge connector (15) into the socket (13) in the hammer drill. Then connect the charger's transformer to the electricity supply.

Make sure that there are no knots or sharp bends in the cable.

The charger's transformer and the battery have been designed to be used together.

NEVER use this charger to recharge cordless tools or batteries from other manufacturers. The battery will gradually lose its charge over a period of time, even

if the tool is not used.

The lithium-ion battery is protected against deep discharging by the "Electronic Cell Protection (ECP)". When the battery is empty, the machine is switched off by means of a protective circuit: The inserted tool no longer rotates.



WARNING! Do not continue to press the On/Off switch after the machine has been automatically switched off. The battery can be damaged.



WARNING! Recharge the battery on a non-flammable surface. Do not recharge the battery for more than eight hours. The red diode will turn green when the battery has been fully loaded.

Disconnect the cable and store the transformer in a suitable place when it is not in use.

It is not advisable to recharge the battery in temperatures below freezing.

When removing the battery from the machine, actuate the On/Off switch (6) until the battery is completely discharged. Unscrew the screws in the casing and take off the casing shell. Disconnect the connections on the battery and remove the battery (see figure B).

INSTRUCTIONS FOR USE

Changing the tool

The SDS plus tool holder allows for simple and convenient changing of drilling tools without the use of additional tools. Due to their working principle, SDS plus drilling tools move freely. This results in radial

runout at no-load. However, this has no effect on the accuracy of the drill hole, as the drill bit centres itself during drilling. The SDS tool holder can also accommodate different drill-bit types with hexagon shank. The dust protection cap (2) largely prevents the entry of drilling dust into the tool holder during operation. When inserting the tool, take care that the dust protection cap (2) is not damaged.

Inserting SDS plus Drilling Tools (see figure A)

Clean and lightly grease the shank end of the tool.

Insert the tool in a twisting manner into the tool holder until it latches itself.

Check the latching by pulling the tool.

Removing SDS plus Drilling Tools (See figure A)



WARNING! Accessories may be hot after use. Avoid contact with skin and use proper protective gloves or cloth to remove.

Push back the locking sleeve (3) and remove the tool. All accessories should be wiped clean after removing.

Dust/Chip Extraction

Dusts from materials such as lead-containing coatings, some wood types, minerals and metal can be harmful to one's health. Touching or breathing-in the dusts can cause allergic reactions and/or lead to respiratory infections of the user or bystanders.

Certain dusts, such as oak or beech dust, are considered as carcinogenic, especially in connection with wood-treatment additives (chromate, wood preservative).

Materials containing asbestos may only be worked by specialists.

Provide for good ventilation of the working place.

It is recommended to wear a P2 filter class respirator.

Observe the relevant regulations in your country for the materials to be worked.

Starting operation

Setting the operating mode

With the selector switch for hammer drilling/ drilling (4), the operating mode of the machine is selected.

Note: Change the operating mode only when the machine is switched off! Otherwise, the machine can be damaged. To change the operating mode, turn the selector switch for "hammer drilling/ drilling" (4) to the requested position.



Position for hammer drilling in concrete or stone



Position for drilling without impact in wood, metal, ceramic and plastic as well as for screwdriving

Reversing the Rotational Direction

Actuate the rotational direction switch (5) only when the machine is at a standstill.

The rotational direction switch (5) is used to reverse the rotational direction of the machine. However, this is not possible with the On/Off switch (6) actuated.

Right Rotation: For drilling and driving in screws, push the rotational direction switch (5) left to the stop.

Left Rotation: For loosening and unscrewing screws and nuts, press the rotational direction switch (5) through to the right stop.

Switching On and Off

To start the machine, press the On/Off switch (6) and keep it pressed.

To switch off the machine, release the On/Off switch (6).

For low temperatures, the power tool reaches the full hammer/impact capacity only after a certain time.

Note: Sparks may be visible through the slots in the motor housing during operation. The sparks are a normal reaction of the motor when in use and are created by the components inside the motor moving against each other. The function of the power tool is not affected by this. We do however recommend not to use the power tool near any flammable liquids, gases or dust, which the sparks may ignite.

Setting the Speed/Impact Rate

The speed/impact rate of the switched on power tool can be variably adjusted, depending on how far the On/Off switch (6) is pressed.

Light pressure on the On/Off switch (6) results in low speed/impact rate. Further pressure on the switch increases the speed/impact rate.

Temperature Dependent Overload Protection

When using as intended, the power tool

cannot be subject to overload. When the load is too high or the allowable battery temperature of 70 °C is exceeded, the electronic control switches off the power tool until the temperature is in the optimum temperature range again.

Working Advice

Apply the power tool to the screw/nut only when it is switched off. Rotating tool inserts can slip off.

MAINTENANCE AND CLEANING

Before any work on the machine (e.g. maintenance, tool change, etc) as well as during transport and storage, set the selector for rotation switch to the centre position. Unintentional actuation of the trigger can lead to injuries.

For safe and proper working, always keep the machine and ventilation slots clean.

ENVIRONMENTAL DISPOSAL INSTRUCTIONS

Help to protect the environment

Information (for private households) about the environmentally sound disposal of electrical and electronic equipment in accordance with the WEEE directive (Waste Electrical and Electronic Equipment).



This symbol on electrical and electronic products and the documentation that accompanies them indicates that these products may not be discarded together with ordinary household waste. Instead the products must be taken to a designated collection point where they will be received free of charge for disposal, treatment,

reuse and recycling as appropriate. In certain countries products may also be returned to the point of sale when purchasing an equivalent new product. By disposing of this product in the proper manner you are helping to save valuable natural resources and to eliminate the negative effects that the irresponsible disposal and management of waste can have on health and the environment. Please contact the relevant authorities where you live for information about your nearest WEEE collection point. Disposing of this type of waste in an unapproved manner may render you liable to fine or other penalty according to the law.

Disposing of damaged or exhausted batteries

Do not dispose of discarded batteries together into ordinary household waste, fire or water. In accordance with the law, damaged or exhausted batteries must be taken to the nearest collection point for batteries or a battery management company. Failure to comply with these regulations may render you liable to fine or other penalty.

Information about disposal for users in countries outside the European Union



This symbol applies only within the European Union. Please contact the relevant authorities or retailer in your country for information about the correct method of disposal for this product.

FIXA slagboremaskine li-ion 14,4V**TEKNISKE SPECIFIKATIONER**

Spænding: 14,4 V

Nominal hastighed: 0-900 omdr./min.

Slagrate: 0-4.800 slag/min.

Slagenergi pr. slag: 1,0 J

Værktøjsholder: SDS plus

Maks. boreidia.:

- beton (med sneglebor) 10 mm
- stål 8 mm
- træ 10 mm

Batteri: Lithium-ion-batteri

Kapacitet: 1,5 Ah

Antal batterier: 4

Opladningstid: 5-7 timer

Oplader: Lokal netspænding

Løs patron: 10 mm, nøgleløs patron med hurtig montering/afmontering af bor

Vægt: 1,3 kg

Vibrationsniveau:

(i henhold til EN 60745-1, EN 60745-2-6):

$a_{hh} \cdot D = 5,9 \text{ m/s}^2$, $K = 1,5 \text{ m/s}^2$

$a_{hh} = 4,7 \text{ m/s}^2$, $K = 1,5 \text{ m/s}^2$

Støj (i henhold til EN 60745-1):

Støjeffektniveau

$L_{pa} = 86 \text{ dB (A)}$, $K_{pa} = 3 \text{ dB (A)}$,

Støjeffektniveau

$L_{wa} = 97 \text{ dB (A)}$, $K_{wa} = 3 \text{ dB (A)}$

FUNKTIONER

Nummereringen af produktets funktioner herunder henviser til tegningen af slagboremaskinen på illustrationssiden.

1. SDS-plus værktøjsholder
2. Beskyttelsesdæksel mod støv
3. Låsepatron
4. Omskifter til slagboremaskine/boremaskine
5. Rotationsretningsomskifter
6. Tænd-/slukknop
7. Ø 3 mm træbor, der skal bruges med

- skiftepatron (til boring uden slag)
8. Ø 5 mm træbor, der skal bruges med skiftepatron (til boring uden slag)
9. 5 mm SDS-bor (til boring med slag)
10. 6 mm SDS-bor (til boring med slag)
11. 8 mm SDS-bor (til boring med slag)
12. Greb (isoleret gribeoverflade)
13. Stik til oplader og lampe
14. Skiftepatron
15. Tilslutning til oplader
16. Transformer til oplader

ANVENDELSE

Denne slagboremaskine er beregnet til slagboring i beton, mursten og sten og er også velegnet til boring uden slag i træ, metal, keramik og plast med den løse, medfølgende patron. Værktøj med elektronisk kontrol og højre/venstre rotation er også velegnet til brug som skruetrækker.

Brug kun batteriopladeren, når du fuldt ud forstår og kan udføre alle funktioner uden problemer eller har modtaget den nødvendige vejledning.

MASKINSPECIFIKKE SIKKERHEDSANVISNINGER**Generelle sikkerhedsanvisninger for elværktøj**

ADVARSEL!



Læs alle sikkerhedsadvarsler og -anvisninger. Manglende overholdelse af advarsler og anvisninger kan føre til elektrisk stød, brand og/eller alvorlig tilskadecomst.

Gem alle advarsler og anvisninger til senere brug.

Udtrykket "elværktøj" i alle advarslerne herunder henviser til dit elværktøj med netttilslutning (med ledning) eller batteridrevne elværktøj (trådløst).

Sikkerhed i arbejdsområdet

- a. **Hold arbejdsområdet rent og veloplyst.** Rødede og mørke områder giver risiko for uheld.
- b. **Elværktøj må ikke bruges i omgivelser med eksplosionsfare, f.eks. i nærheden af brændbare væsker, gasser eller støv.** Elværktøj skaber gnister, der kan antænde støv eller dampe.
- c. **Børn og andre personer må ikke være i nærheden, når du betjener et elværktøj.** Hvis du bliver distraheret, kan du miste kontrollen over værktøjet.

Elektrisk sikkerhed

- a. **Stikket på elværktøjet skal passe til eludtaget. Stikket må ikke ændres på nogen måde. Brug ikke et adapterstik sammen med et jordet/jordforbundet elværktøj.** Stik, der ikke er ændret, og eludtag, der passer til, reducerer risikoen for elektrisk stød.
- b. **Undgå kropskontakt med overflader med jordkontakt, f.eks. rør, radiatorer, komfurer og køleskabe.** Der er større risiko for at få stød, hvis din krop har jordkontakt.
- c. **Elværktøj må ikke udsættes for regn eller fugtige forhold.** Hvis der trænger vand ind i et elværktøj, stiger risikoen for elektrisk stød.
- d. **Ledningen må ikke beskadiges. Brug aldrig ledningen til at bære eller**

trække i elværktøjet eller til at trække stikket ud af stikkontakten. Hold ledningen væk fra varme, olie, skarpe kanter eller bevægelige dele. Beskadigede eller filtrede ledninger forøger risikoen for elektrisk stød.

- e. **Når du betjener et elværktøj udendørs, skal du bruge en forlængerledning, der er beregnet til udendørs brug.** Hvis du bruger en ledning, der er beregnet til udendørs brug, reduceres risikoen for elektrisk stød.
- f. **Hvis du ikke kan undgå at betjene elværktøjet i fugtige omgivelser, skal du bruge en beskyttelsesenhed til reststrøm (RCD).** Brug af RCD reducerer risikoen for at få elektrisk stød.

Personlig sikkerhed

- a. **Vær opmærksom, hold øje med, hvad du laver, og brug almindelig sund fornuft, når du betjener et elværktøj. Brug ikke et elværktøj, hvis du er træt eller påvirket af narkotika, alkohol eller medicin.** Et øjeblik uopmærksomhed, mens du bruger et elværktøj, kan forårsage alvorlig personskade.
- b. **Brug personlige værnemidler. Bær altid øjenværn.** Sikkerhedsudstyr, f.eks. støvmaske, skridsikre sikkerhedssko, beskyttelseshjelm eller høreværn, der bruges under de relevante forhold, reducerer risikoen for personskade.
- c. **Undgå, at værktøjet starter ved en fejl: Sørg for, at kontakten er slukket, før du sætter stikket i stikkontakten og/eller batteriet, løfter eller bærer værktøjet.** Risikoen for ulykker stiger, hvis du bærer elværktøj med fingeren på kontakten eller sætter stikket i stikkontakten, når kontakten er tændt.

d. **Fjern indstillingskile eller skruenøgle, før du tænder elværktøjet.** En skruenøgle eller kile, der sidder i en roterende del på elværktøjet, kan medføre personskaade.

e. **Lad være med at strække dig, når du bruger elværktøjet.** Hold hele tiden fødderne på jorden, og hold balancen. Det giver dig bedre kontrol over elværktøjet, hvis der opstår en uventet situation.

f. **Bær fornuftigt tøj, ikke løs beklædning eller smykker. Hold hår, beklædning og handsker væk fra bevægelige dele.** Løst tøj, smykker og langt hår kan sidde fast i bevægelige dele.

g. **Hvis der leveres apparater til tilslutning af støvudsugnings- og opsamlingsudstyr, skal du sørge for, at de tilsluttes og bruges korrekt.** Brug af dette udstyr kan reducere farer ifm. støv.

Brug og vedligeholdelse af elværktøjet

a. **Elværktøjet må ikke betjenes med magt. Brug et elværktøj, der er beregnet til den relevante opgave.** Det er bedre og mere sikkert at bruge et elværktøj, der er udviklet til opgaven.

b. **Brug ikke elværktøjet, hvis tænd-/slukkkontakten ikke fungerer.** Elværktøj, der ikke kan kontrolleres med tænd-/slukkkontakten er farligt og skal repareres.

c. **Træk stikket ud af stikkontakten og/eller fjern batteriet, før du ændrer værktøjet, skifter tilbehør eller lægger værktøjet væk.** Forebyggende sikkerhedsforanstaltninger som disse reducerer risikoen for, at elværktøjet starter ved en fejl.

d. **Opbevar elværktøj, der ikke er i brug, utilgængeligt for børn, og lad ikke personer, der ikke er bekendt med brugen af værktøjet eller disse anvisninger, betjene elværktøjet.** Elværktøj er farligt i hænderne på uerfarne brugere.

e. **Elværktøjet skal vedligeholdes. Efterse de bevægelige dele for skævheder og kontrollér, om de binder eller er ødelagte, eller om der er andre forhold, der kan påvirke elværktøjets drift. Hvis elværktøjet er beskadiget, skal det repareres før brug.** Mange ulykker forårsages af elværktøj, der ikke er tilstrækkeligt vedligeholdt.

f. **Hold skæreværktøjer skarpe og rene.** Et korrekt vedligeholdt skæreværktøj med skarp tænder binder ikke og er nemmere at styre.

g. **Brug elværktøj, tilbehør, bordele osv. i henhold til disse anvisninger og på den måde, der er beregnet til det pågældende elværktøj. Tag hensyn til arbejdsforholdene og den opgave, der skal udføres.** Brug af elværktøj til andre opgaver end dem, det er beregnet til, kan medføre farlige situationer.

h. **Hold fast på elværktøjet på de isolerede gribeområder, når du udfører arbejde, hvor tilbehøret kan komme i kontakt med skjulte ledninger eller strømkablet.** Hvis tilbehøret får kontakt med en strømførende ledning, kan de blotlagte metaldele på værktøjet også blive strømførende og kan give brugeren elektrisk stød.

Brug og vedligeholdelse af batteridrevet værktøj

a. Må kun genoplades med den oplader, der er angivet af producenten.

En oplader, der er beregnet til én type batteri, kan medføre brandfare, hvis den bruges sammen med et andet batteri.

b. Brug kun elværktøj sammen med de angivne batterier.

Hvis der bruges andre batterier, kan der opstå fare for personskade og brand.

c. Når batteriet ikke er i brug, skal det holdes væk fra andre metalgenstande, f.eks. papirclips, mønter, nøgler, søm, skruer eller andre små metaldele, der kan skabe forbindelse mellem terminalerne.

Kortslutning af batteriterminalerne kan forårsage forbrændinger eller brand.

d. Hvis batteriet bruges forkert, kan det lække væske. Undgå kontakt med denne væske. Hvis der opstår kontakt ved et uheld, skal området skylles med vand. Hvis du får væsken i øjnene, skal du søge læge.

Væske fra batteriet kan medføre irritation eller forbrænding.

Service

a. Få dit elværktøj serviceret af en uddannet person, der kun bruger originale reservedele.

Det garanterer, at elværktøjet bliver ved med at være sikkert at bruge.

MASKINSPECIFIKKE SIKKERHEDSANVISNINGER

Sikkerhedsadvarsler til boremaskine

Bær høreværn, når du bruger slagboremaskinen. Støj kan medføre høretab.

Brug egnede søgeinstrumenter til at finde frem til skjulte forsyningsledninger i arbejdsområdet, eller kontakt det lokale forsyningselskab. Kontakt med elektriske ledninger kan medføre brand og elektrisk stød. Beskadigelse af en gasledning kan medføre eksplosion. Gennemsvævning af et vandrør kan medføre materiel skade eller elektrisk stød.

Sluk straks elværktøjet, hvis indsatsværktøjet blokerer. Vær opmærksom, hvis elværktøjet arbejder med høje reaktionsmomenter, da det kan medføre tilbageslag.

Indsatsværktøjet blokerer, hvis

- elværktøjet overbelastes,
- eller hvis det sætter sig fast i arbejdsemnet.

Når du arbejder med elværktøj, skal du altid holde godt fat i det med begge hænder og sørge for at stå i en sikker arbejdsstilling.

Elværktøjet betjenes mere sikkert, når du bruger begge hænder.

Fastgør arbejdsemnet. Et arbejdsemne holdes bedre fast med spændestykker eller i en skruetvinge end med hånden.

Hold din arbejdsplads ren. Der kan især opstå farlige situationer, hvis forskellige materialer bliver blandet. Letmetalstøv kan brænde eller eksplodere.

Læg først elværktøjet fra dig, når det er standset helt. Indsatsværktøjet kan blokere, og du kan miste kontrollen over elværktøjet.

Rotationsretningsomskifteren skal sættes i midterposition, før der indstilles på værktøjet (f.eks. vedligeholdelse, udskiftning af bor osv.) samt under transport og ved opbevaring.

Hvis du ved en fejl kommer til at aktivere tænd-/slukknappen, kan du komme til skade.

Beskyt elværktøjet mod varme, f.eks. vedvarende, intenst sollys, ild, vand og fugt. Eksplosionsfare.

Hvis batteriet beskadiges eller bruges forkert, kan der udledes dampe. Sørg for frisk luft, og søg lægehjælp, hvis det sker. Dampene kan irritere åndedrætssystemet.

Sikkerhedsadvarsler vedrørende batteriopladere



Kun til indendørs brug.



Dobbeltisoleret.

Hold batteriopladeren væk fra regn og fugt. Hvis der trænger vand ind i batteriopladeren, stiger risikoen for at få elektrisk stød.

Oplad ikke andre batterier. Batteriopladeren er kun beregnet til at oplade de batterier, der leveres med dette elværktøj. Hvis den bruges til andre batterier, kan der opstå risiko for brand eller eksplosion.

Hold batteriopladeren ren. Hvis den er snavset, kan der opstå fare for at få elektrisk stød.

Kontrollér batterioplader, ledning og stik før hver brug. Hvis de er beskadiget, må batteriopladeren ikke bruges. Forsøg aldrig at åbne batteriopladeren selv. Reparationer må kun udføres af fagpersoner. Beskadigede batteriopladere, ledninger og stik forøger risikoen for

at få elektrisk stød.

Batteriopladeren må ikke bruges på let antændelige overflader (f.eks. papir, tekstiler osv.) eller i brandfarlige omgivelser. Batteriopladeren bliver varm under opladningsprocessen, og det kan medføre brandfare.

Børn skal overvåges for at sikre, at de ikke leger med batteriopladeren.

OPLYSNINGER OM VIBRATION

Vibrationsniveau

Det vibrationsudledningsniveau, der er angivet i disse anvisninger, er målt i henhold til en standardiseret test, der fremgår af EN 60745. Testen kan bruges til at sammenligne værktøj og som en foreløbig vurdering af, hvilket vibrationsniveau man udsættes for, når man bruger værktøjet til de nævnte formål. Brug af værktøjet til forskellige formål, eller med andet eller dårligt vedligeholdt tilbehør, kan dog forøge vibrationsudledningen betragteligt.

I vurderingen af, hvilket vibrationsniveau man bliver udsat for, skal der også tages højde for de tidspunkter, hvor værktøjet er slukket, eller er tændt, men ikke bruges, da det kan medføre en betragtelig reduktion i vibrationsudledningen i den samlede arbejdsperiode.

Beskyt dig mod vibrationerne ved at vedligeholde værktøjet og tilbehøret, hold dine hænder varme, og organiser dine arbejdsmønstre.

MONTERING

Rotationsretningsomskifteren skal sættes i midterpositionen, før der indstilles på værktøjet (f.eks. vedligeholdelse, udskiftning af bor osv.) samt

under transport og ved opbevaring.

Hvis du ved en fejl kommer til at tænde værktøjet, kan du komme til skade.

Batteriopladning

Sådan oplader du din slagboremaskine

Når opladeren er tilsluttet elnettet, lyser den røde lampe på slagboremaskinen.

Lampen lyser, når batteriet er ved at blive ladet op (13).

Ved normal brug kan slagboremaskinen oplades flere hundrede gange.

BEMÆRK! Genopladningsprocessen gør batteriet varmt.

Bemærk: Batteriet, der leveres med slagboremaskinen, er udelukkende ladet op som led i en test og skal være fuldt opladet før brug.

Læs først sikkerhedsanvisningerne, og følg derefter anvisningerne for isætning af batteri. Sæt opladerens tilslutning (15) i stikket (13) på slagboremaskinen. Tilslut derefter opladerens transformer til elnettet.

Sørg for, at der ikke er knuder eller skarpe knæk på ledningen.

Opladerens transformer og batteriet er designet til at blive brugt sammen.

Opladeren må **ALDRIG** bruges til at genoplade trådløst værktøj eller batterier fra andre producenter. Batteriet bliver gradvist afladet over tid, også selvom værktøjet ikke bliver brugt.

Lithium-ion-batteriet er beskyttet mod fuldstændig afladning af ECP batteribeskyttelse. Når batteriet er tomt, slukker værktøjet ved hjælp af et beskyttelses-kredsløb, og det isatte bor holder op med at rotere.



ADVARSEL! Undlad at trykke på tænd-/slukknappen, når værktøjet er slukket automatisk, da det kan beskadige batteriet.



ADVARSEL! Batteriet må kun oplades på en ikke-brændbar overflade. Batteriet må ikke oplades i mere end 8 timer. Den røde lampe bliver grøn, når batteriet er fuldt opladet.

Træk stikket ud af kontakten, og opbevar transformeren et passende sted, når den ikke er i brug.

Det anbefales ikke at genoplade batteriet i temperaturer under frysepunktet.

Når du skal tage batteriet ud af skruetrækkeren/boremaskinen, skal du aktivere tænd-/slukknappen (5), indtil batteriet er helt afladet. Løsn skruerne på dækslet, og tag det af. Afmonter batteritilslutningerne og tag batteriet ud (se illustration A).

BRUGSANVISNING

Sådan udskiftes bor

SDS-plus værktøjsholderen gør det nemt og enkelt at skifte bor uden at bruge værktøj. På grund af deres funktionsprincip bevæger SDS-plus boreværktøj sig frit. Det medfører radialkast ved tomgang. Det har dog ingen effekt på borehullets nøjagtighed, fordi boret centrerer sig selv, når der bores.

SDS-værktøjsholderen kan også bruges til forskellige bortyper med sekskantet skaft. Beskyttelsesdækslet (2) forhindrer det meste borestøv i at trænge ind i værktøjsholderen under betjening. Når du sætter boret i, skal du passe på ikke at beskadige beskyttelsesdækslet (2).

Sådan sætter du SDS-plus boreværktøj i (se figur A)

Rens skafte på boret, og smør det let.

Sæt boret i værktøjsholderen, mens du drejer det fra den ene side til den anden, indtil det sidder fast.

Kontrollér, at boret sidder fast ved at trække i det.

Sådan fjerner du SDS-plus bor (se figur A)



ADVARSEL! Tilbehøret kan være varmt efter brug. Undgå kontakt med huden, og brug beskyttelsehandsker eller en klud, når du tager boret ud.

Skub låsepatronen (3) tilbage, og tag boret ud. Tør boret af, når det er taget ud.

Støv-/spåudsugning

Støv fra materialer, f.eks. blyholdig maling, visse træsorter, mineraler og metal, kan være sundhedsfarlige. Berøring eller indånding af støv kan medføre allergiske reaktioner og/eller åndedrætsinfektioner hos brugeren eller personer, der opholder sig i nærheden af arbejdspladsen.

Visse former for støv, f.eks. ege- eller bøgestøv, anses for at være kræftfremkaldende, især i forbindelse med stoffer til træbehandling (kromat, træbeskyttelsesmiddel). Asbestholdige materialer må kun håndteres af fagfolk.

Sørg for god ventilation af arbejdspladsen. Det anbefales at bære åndedrætsværn med filterklasse P2.

Overhold de forskrifter, der gælder i dit land vedrørende de materialer, der skal bearbejdes.

Ibrugtagning

Sådan indstilles betjeningsstilstand

Værktøjets betjeningsstilstand vælges med omskifteren til slagboremaskine/boremaskine (4).

Bemærk: Skift kun betjeningsstilstand, når værktøjet er slukket! Ellers kan den blive beskadiget.

Når du vil ændre betjeningsstilstand, skal du sætte omskifteren for slagboremaskine/boremaskine (4) i den ønskede position.



Position for slagboremaskine til boring i beton eller sten



Position til boring uden slag i træ, metal, keramik og plast og til brug som skrue-trækker

Sådan vendes rotationsretningen

Aktivér kun rotationsretningsomskifteren (5), når værktøjet er slukket.

Rotationsomretningsomskifteren (5) bruges til at ændre værktøjets rotationsretning. Det er dog ikke muligt, når tænd-/slukknappen (6) er aktiveret.

Rotation til højre: Når du vil bore huller og skrue skrue i, skal du skubbe rotationsretningsomskifteren (5) til venstre helt til stoppet.

Rotation til venstre: Når du vil løsne og fjerne skrue og bolte, skal du skubbe

rotationsretningsomskifteren (5) til højre helt til stoppet.

Tænd og sluk

Værktøjet tændes ved at trykke på tænd-/slukknappen (6) og holde den nede.

Værktøjet slukkes ved at trykke på tænd-/slukknappen (6).

Ved lave temperaturer når elværktøjet først sin fulde slagkapacitet efter et stykke tid.

Bemærk! Der er måske synlige gnister igennem åbningerne i motorhuset, når værktøjet anvendes. Gnisterne er en normal reaktion fra motoren, når den er i brug, og dannes, når delene indvendigt i motoren bevæger sig imod hinanden. Værktøjets funktion bliver ikke påvirket af dette. Vi anbefaler dog, at værktøjet ikke bruges i nærheden af brændbare væsker, gas eller støv, som gnisterne kan antænde.

Sådan indstilles hastighed/slagrate

Hastigheden/slagraten for det tændte elværktøj kan indstilles trinløst afhængig af, hvor langt tænd-/slukknappen (6) trykkes ned.

Et let tryk på tænd-/slukknappen (6) resulterer i en lav hastighed/slagrate. Et hårdere tryk på kontakten forøger hastigheden/slagraten.

Temperaturafhængig beskyttelse mod overbelastning.

Når elværktøjet bruges til det beregnede formål, overbelastes det ikke. Hvis belastningen er for høj, eller hvis den tilladte batteritemperatur på 70° overskrides, slukker den elektroniske kontrol værktøjet, indtil temperaturen igen er inden for det optimale temperaturområde.

Tips til brug

Skab kun kontakt mellem elværktøjet og skruen/bolten, når det er slukket.

En roterende værktøjsindsats kan falde af.

VEDLIGEHODELSE OG RENGØRING

Rotationsretningsomskifteren skal sættes i midterpositionen, før der indstilles på værktøjet (f.eks. vedligeholdelse, udskiftning af bor osv.) samt under transport og ved opbevaring.

Hvis du ved en fejl kommer til at tænde værktøjet, kan du komme til skade.

Hold altid værktøjet og ventilationsåbningerne rene, så skruetrækkeren/boremaskinen fungerer sikkert og korrekt.

ANVISNINGER TIL MILJØVENLIG BORTSKAFFELSE

Hjælp med at beskytte miljøet

Information (til private husholdninger) om miljømæssigt ansvarlig bortskaffelse af elektrisk og elektronisk udstyr i overensstemmelse med WEEE-direktivet.



Dette symbol for elektriske og elektroniske produkter og den medfølgende dokumentation angiver, at disse produkter ikke må bortskaffes sammen med almindeligt husholdningsaffald. Derimod skal produkterne afleveres på angivne indsamlingssteder, hvor de uden beregning bliver modtaget til bortskaffelse, behandling, genanvendelse eller genbrug. I nogle lande kan produkter også afleveres på salgsstedet, når du køber et tilsvarende nyt produkt. Ved at bortskaffe dette produkt korrekt hjælper du med at

spare værdifulde naturressourcer og reducere de negative påvirkninger, som uansvarlig bortskaffelse og affaldshåndtering kan have på menneskers helbred og miljøet. Kontakt de relevante myndigheder der, hvor du bor, for at få oplysninger om det nærmeste WEEE-indsamlingssted. Ikke-godkendt bortskaffelse af denne type affald kan medføre bødestraf eller andre former for straf i henhold til gældende lovgivning.

Bortskaffelse af beskadigede/brugte batterier

Batterierne må ikke bortskaffes sammen med almindeligt husholdningsaffald, brændes eller smides i vandet. I overensstemmelse med loven skal beskadigede eller brugte batterier afleveres på det nærmeste indsamlingssted for batterier eller hos en relevant virksomhed. Manglende overholdelse af disse regler kan medføre bødestraf eller anden straf.

Information om bortskaffelse for brugere i virksomheder i lande uden for EU.



Dette symbol gælder kun i EU. Kontakt de relevante myndigheder eller detailvirksomheden i dit land for at få oplysninger om korrekt bortskaffelse af dette produkt.

FIXA Höggborvél li-ion 14.4V**TÆKNILEGAR UPPLÝSINGAR**

Rafspenna: 14.4 V

Hraði: 0-900 sn/mín

Högg tíðni: 0-4800/mín

Höggorka: 1.0 J

Borpatróna: SDS plus

Hámarksþvermál borgats:

-steypa (með snúningsbor) 10 mm (3/8")

-stál 8 mm (5/16")

-tré 10 mm (3/8")

Rafhlaða: Lithium-Ion rafhlaða

Hleðsla: 1.5 Ah

Fjöldi rafhlaðna: 4

Hleðslutími: 5-7 klst.

Hleðslutæki: Spenna á staðnum

Aukapatróna: 10 mm (3/8"), sjálfherðandi,

hraðisetning og -losun

Þyngd: 1.3 kg (2.86 lbs)

Titringur:

(samkvæmt EN 60745-1, EN 60745-2-6):

 $a_{n,D}=5.9 \text{ m/s}^2$, $K=1.5 \text{ m/s}^2$ $a_{n,T}=4.7 \text{ m/s}^2$, $K=1.5 \text{ m/s}^2$

Hljóð (samkvæmt EN 60745-1):

Hljóðþrýstingur $L_{pa}=86 \text{ dB (A)}$, $K_{pa}=3 \text{ dB (A)}$,Hljóðstyrkur $L_{wa}=97 \text{ dB (A)}$, $K_{wa}=3 \text{ dB (A)}$ **YFIRLIT**

Tölurnar vísa til númeranna á teikningu af vélinni á myndasíðunni.

1. SDS plus borpatróna
2. Rykvarnarhlíf
3. Láshringur
4. Rofi fyrir höggborun/borun
5. Rofi, réttisælís/rangsælís
6. Aðalrofi
7. Ø 3mm (1/8") trébor, til að nota með aukapatrónu (til að bora án höggs)
8. Ø 5mm (3/16") trébor, til að nota með aukapatrónu (til að bora án höggs)

9. Ø 5mm (3/16") SDS bor (til að bora með höggi)
10. Ø 6mm (1/4") SDS bor (til að bora með höggi)
11. Ø 8mm (5/16") SDS bor (til að bora með höggi)
12. Haldfang (Einangrað yfirborð)
13. Innstunga fyrir hleðslutæki og ljósdíóða
14. Aukapatróna
15. Tengi fyrir hleðslutæki
16. Straumbreytir fyrir hleðslutæki

NOTKUN

Þessi höggbor er ætlaður til höggborunar í steypu, múrstein og stein, og hentar einnig til venjulegrar borunar í tré, málm, keramik og plast með aukapatrónunni sem fylgir. Rafdrifnar vélar með vinstri/hægri snúningi má einnig nota sem skrufvélar.

Notið hleðslutækið aðeins eftir að hafa kynnt þér leiðbeiningar og virkni að fullu, eða fengið viðeigandi útskýringar.

SÉRTÆKAR ÖRYGGISLEIÐBEININGAR**ALMENNAR ÖRYGGISLEIÐBEININGAR****Varúð!**

Lesið allar leiðbeiningar. Ef ekki er farið eftir öllum öryggisleiðbeiningum gæti það orsakað raflost, eldsvoða og/eða alvarleg slys.

Geymið allar viðvaranir og leiðbeiningar.

Orðið ‚verkfæri‘ í öllum leiðbeiningum hér að neðan á við um bæði verkfæri tengd beint við rafmagn og eins þráðlaus verkfæri sem ganga fyrir rafhlöðu. Geymið þessar

leiðbeiningar.
Vinnusvæði

a. **Hafið vinnusvæðið snyrtilegt og vel upplýst.** Óreiða og slæm lýsing á vinnusvæði býður hættunni heim.

b. **Notið ekki verkfæri á stöðum þar sem getur skapast sprengihætta, til að mynda nálægt eldfimum vökva, gasi eða ryki.** Verkfæri geta gefið frá sér neista sem getur kveikt í ryki og gufum.

c. **Haldið börnum og nærstöddum fjarri vinnusvæði á meðan verkfærið er í notkun.** Ónæði getur orðið til þess að þú missir einbeitinguna.
Rafmagnsöryggi

a. **Nota verður viðeigandi innstungu fyrir kló verkfærisins. Reynið aldrei að breyta klónni á nokkurn hátt. Notið ekki millistykki með jarðtengdum verkfærum.** Notkun upprunalegra klóa og innstungna dregur úr hættu á raflosti.

b. **Forðist að snerta jarðtengda fleti, eins og leiðslur, ofna, eldavélar eða ísskápa.** Það getur aukið hættu á raflosti ef notandinn er tengdur jörð.

c. **Notið ekki verkfæri í regni eða bleytu.** Ef vatn kemst inn í verkfærið er hættu á raflosti.

d. **Farið vel með snúruna. Notið snúruna aldrei til að bera verkfærið, draga það áfram eða til að kippa úr sambandi. Haldið snúrunni fjarri hita, olíu, beittum hlutum og hlutum á hreyfingu.** Skemmd eða flækt snúra eykur hættu á raflosti.

e. **Þegar verkfæri er notað utandyra, þarf að nota framlengingarsnúru sem til þess er ætluð.** Það dregur úr hættu á

raflosti.

f. **Ef ekki er komist hjá því að nota verkfærið við rök skilyrði ætti alltaf að nota útsláttaröryggi.** Það dregur úr hættu á raflosti.

Öryggi þitt

a. **Vertu vakandi, gættu að því sem þú gerir og notaðu almenna skynsemi við notkun verkfæra. Notaðu ekki verkfæri þegar þú ert þreytt/ur eða undir áhrifum eiturlyfja, áfengis eða lyfja.** Augnabliks einbeitingarskortur getur valdið alvarlegu slysi.

b. **Notið öryggisbúnað. Notið alltaf öryggisgleraugu.** Rétt notaður öryggisbúnaður eins og rykgríma, öryggisskór, öryggishjálmur og heyrnarhlíf dregur úr slyshættu.

c. **Gætið þess að ekki kvikni óvart á verkfærinu. Gætið þess að slökkt sé á verkfærinu áður en því er stungið í samband.** Ef haldið er á verkfæri með fingurinn á gikknum eða stungið í samband á meðan kveikt er á því, eykst slyshætta.

d. **Fjarlægjið smærri verkfæri sem hanga mögulega á verkfærinu, til að mynda skrúflykla og slíkt, áður en kveikt er á því.**

e. **Teygðu þig ekki of langt. Hafðu alltaf góða fótfestu.** Þá hefurðu betri stjórn á verkfærinu ef eitthvað óvænt gerist.

f. **Vertu í viðeigandi klæðnaði. Vertu ekki í of víðum fatnaði eða með hangandi skartgripri. Haltu hári, fötum og hönskum fjarri hlutum sem snúast.** Víð fót, skartgripir eða sítt hár geta festis í hlutum verkfærisins sem snúast.

g. **Gætið þess að nota aukahluti eins og ryksafnara á réttan hátt.** Notkun slíks búnaðar getur dregið úr slyshættu.

Notkun og umhirða verkfærisins

a. **Þvingið ekki verkfærið. Notið rétt verkfæri fyrir hvert verkefni.** Rétt valið verkfæri vinnur verkefnið betur og á öruggari hátt.

b. **Notið ekki verkfærið ef það fer ekki í gang þegar kveikt er á því.** Verkfæri sem ekki er hægt að kveikja á eða slökkva á eðlilegan hátt er hættulegt og þarfnast viðgerðar.

c. **Takið úr sambandi áður en átt er við verkfærið á nokkurn hátt, skipt um aukahluti eða það sett í geymslu.** Slíkar varúðarráðstafanir draga úr líkum á að það fari óvænt í gang.

d. **Geymið verkfæri sem ekki eru í notkun þar sem börn ná ekki til og leyfið ekki óvönum að nota verkfærið.** Verkfæri eru hættuleg í höndum óþjáfaðra.

e. **Haldið verkfærum vel við. Athugið reglulega hvort hlutar þess hafi skekkt eða skemmst, eða hvort það sé skemmt á nokkurn annan hátt sem gæti orðið til þess að það virki ekki sem skyldi. Ef það er skemmt þarf að láta gera við það áður en það er notað.** Mörg slysa má rekja til slælegs viðhalds.

f. **Haldið verkfærum sem notuð eru til skurðar beittum og hreinum.** Hnífar og blöð sem haldið er beittum eru ólíklegri til að standa á sér og láta betur að stjórna.

g. **Notið verkfærið, fylgihluti, skráfbita og annað í samræmi við leiðbeiningar og á tilætlaðan hátt í hverju tilviki fyrir**

sig. Takið alltaf tillit til aðstæðna og verkefnis. Notkun verkfærisins í öðrum en tilætluðum tilgangi eykur slyshættu.

h. **Haldið um einangraða hluta verkfærisins þegar hættu er á að skurðarhlutinn komist í snertingu við falda víra eða eigin snúru.** Ef skurðarblað kemst í snertingu við „lifandi“ vír getur það leitt strauminn í bera málmhluta verkfærisins og valdið raflosti hjá notandanum.

Notkun og umhirða rafhlöðu

a. **Notið aðeins hleðslutæki sem samþykkt er af framleiðanda.** Hleðslutæki sem hentar einni rafhlöðu gæti valdið eldhættu ef notað með annarri rafhlöðu.

b. **Notið aðeins rafhlöður sem ætlaðar eru þessu verkfæri.** Ef notaðar eru aðrar rafhlöður getur skapast slysa- og eldhætta.

c. **Þegar rafhlöðurnar eru ekki í notkun ætti að geyma þær fjarri öðrum málmhlutum eins og bréfklemmum, smámynt, lykklum, nógllum, skráfum og öðrum smáhlutum úr málm sem geta leitt straum.** Skammhlaup í rafhlöðunum getur valdið brunasárum eða eldhættu.

d. **Við slæma meðhöndlun gæti rafhlaðan lekið. Snertið ekki vökvann. Ef vökvinn kemst í snertingu við húð á að skola með vatni. Ef vökvinn berst í augu þarf að leita læknis.** Vökvi sem lekur úr rafhlöðu getur valdið óþægindum eða bruna.

Viðhaldsþjónusta

a. **Nýtið ykkur aðstoð fagmanns sem notar upprunalega varahluti, til að gera við verkfærið.** Það tryggir viðvarandi öryggi verkfærisins.

SÉRTÆKAR ÖRYGGISLEIÐBEININGAR

Öryggi við borun

Notið eyrnahlífar þegar höggborinn er notaður. Hávaðinn getur valdið heyrnarskemmdum.

Notið viðeigandi nema til að meta hvort faldir vírar eða pípur séu þar sem á að bora/skrúfa. Ef borað eða skrúfað er í rafmagnslínur getur það valdið eldsvoða og raflosti. Ef gaspípa er skemmd getur það valdið sprengihættu. Ef vatnspípa er skemmd getur það valdið meiri skemmdum eða raflosti.

Slökkvið tafarlaust á verkfærinu ef það festist. Verið viðbúin því að togjið aukist og verkfærið geti rykkst til.

Borinn/skrúfbitinn getur stöðvast ef:

- Átakið er of mikið eða ef hann festist í viðfangsefninu.

Haldið alltaf þétt um verkfærið með báðum höndum þegar það er í notkun og gætið þess að hafa góða fótfestu.

Mun betra er að stjórna verkfærinu með báðum höndum.

Hafið verkfærið stöðugt. Verkfæri sem haldið er á sínum stað með þvingum eða í skrufstykki er mun öruggara en það sem haldið er með handaflí.

Haldið vinnusvæðinu hreinu. Það er sérstaklega varasamt ef mismunandi efni blandast saman. Ryk úr málmblöndum er eldfimt og getur sprungið.

Bíðið alltaf þar til borinn/skrúfbitinn hefur stöðvast að fullu áður en verkfærið er lagt niður. Annars er hættu á að hann festist og það leitt til þess að þú missir stjórn á verkfærinu.

Áður en átt er við vélina sjálfa (eins og við viðhald eða skipti á verkfæri), og eins þegar hún er flutt á milli staða eða í geymslu, þarf að miðjustilla rofa sem stjórnar snúningsátt. Það getur valdið slyshættu ef óvart er kveikt á aðalrofa.

Verndið verkfærið gegn hita, eins og miklu beinu sólarljósi, eldi, vatni og raka. Sprengihætta.

Gufur geta gosið upp ef rafhlaðan skemmist eða er rangt notuð. Gætið þess að ferskt loft sé á staðnum og leitið lækni ef líðan versnar. Gufurnar geta ert öndunarkerfið.

Öryggisviðvaranir fyrir rafhlöðuhleðslutæki



Aðeins til nota innandyra.



Tvöföld einangrun.

Haldið hleðslutækinu fjarri regni og raka. Ef raki kemst inn í tækið eykur það hættu á raflosti.

Hlaði ekki aðrar rafhlöður í tækinu.

Hleðslutækið er aðeins ætlað rafhlöðunum sem fylgja með verkfærinu þínu. Annars getur myndast eld- og sprengihætta.

Haldið hleðslutækinu hreinu. Óhreinindi geta leitt til hættu á raflosti.

Fyrir hverja notkun ætti að fara yfir hleðslutækið, snúruna og klóna. Ef einhverjar skemmdir koma í ljós á alls ekki að nota tækið. Opnið aldrei hleðslutækið sjálft. Látið faglærðan aðila um viðgerðir. Skemmd hleðslutæki,

snúru eða klær auka hættuna á raflosti.

Látid hleðslutækið ekki standa á, eða nálægt, eldfimu efni þegar það er í notkun (eins og pappír, vefnaðarvöru o.fl.). Hitnun hleðslutækisins meðan á hleðslu stendur getur valdið eldhættu.

Gætið þess að börn leiki sér ekki með hleðslutækið.

TITRINGUR

Titringsur

Titringsmengun sem gefin er upp í þessum leiðarvísi hefur verið mæld í samræmi við staðlað próf reglugerðar EN 60745; það gefur færni á að bera verkfæri saman og má nota til að meta titringsmengun sem notandi verkfærisins verður fyrir. Ef verkfærið er notað til annars en nefnt er í þessum leiðarvísi, eða með öðrum varahlutum, getur titringsmengun aukist umtalsvert.

Við mat á titringsmengun ætti einnig að taka tillit til hversu mikið slökkt er á tækinu eða það í gangi án þess að það sé í notkun, þar sem titringsmengunin er þá minni yfir heildarvinnutímann.

Verndaðu þig fyrir áhrifum titrings með því að halda verkfærinu og fylgihlutum þess vel við, halda höndunum heitum og með því að skipuleggja vinnuna vel.

SAMSETNING

Áður en átt er við vélinu sjálfa (eins og við viðhald eða skipti á verkfæri), og eins þegar hún er flutt á milli staða eða í geymslu, þarf að miðjustilla rofa sem stjórnar snúningsátt. Það getur valdið slysaþættu að þrýsta óvart á gíkkinn.

Rafhlaðan hlaðin

Svona hleður þú höggborvélinu

Rauða ljósið á vélinni kviknar þegar hleðslutækið er tengt við rafmagn. Ljósið logar á meðan rafhlaðan hleður sig (13). Miðað við almenna notkun ætti að vera hægt að endurhlaða rafhlöðu skráfvélarinnar nokkur hundruð sinnum. **ATHUGIÐ!** Rafhlaðan hitnar við hleðslu.

Takið eftir: Rafhlaðan sem fylgir þessari vél er aðeins hlaðin til að hægt sé að prófa vélinu og ætti því að hlaða hana að fullu fyrir fyrstu notkun.

Lesið fyrst öryggisleiðbeiningar og fylgið síðan leiðbeiningum um hleðslu. Stingið hleðslutenginu (15) í innstunguna (13) á höggborvélinni. Stingið svo straumbreyti fyrir hleðslutækið í samband. Gætið þess að snúran beyglist ekki eða að á hana komi ekki hnútur. Straumbreytirinn og rafhlaðan eru sérstaklega hönnuð til að nota saman.

Notið **ALDREI** þetta hleðslutæki til að hlaða þráðlaus verkfæri eða rafhlöður frá öðrum framleiðendum. Rafhlaðan missir hleðsluna smátt og smátt, jafnvel þótt verkfærið sé ekki í notkun. Lithium-Ion rafhlaðan er vernduð af ECP (Electronic Cell Protection) gegn því að rafhlaðan tæmist um of. Ef hún er að tæmast, slekkur verndarrás á henni: Verkfærið hættir þá að snúast.



VARÚÐ Haldið ekki áfram að ýta á On/Off rofann eftir að vélin hefur stöðvast sjálfkrafa. Þá getur rafhlaðan skemmt.



VARÚÐ! Hlaðið ekki rafhlöðuna á eldfimu yfirborði. Hlaðið rafhlöðuna

ekki lengur en átta klukkustundir í einu. Rauða ljósið verður grænt þegar rafhlaðan er fullhlaðin.

Takið snúruna úr sambandi og geymið hleðslutækið á viðeigandi stað þegar það er ekki í notkun.

Ekki er ráðlegt að hlaða rafhlöðuna við hitastig fyrir neðan frostmark.

Þegar fjarlægja á rafhlöðuna þarf að þrýsta á gikkinn (5) þar til öll hleðsla er búin. Losið skrufurnar úr vélarhúsinu og takið hlífina af. Klippið á vírana og fjarlægjið rafhlöðuna (sjá mynd A).

NOTKUNARLEIÐBEININGAR

Skript um verkfæri

SDS plus patrónan gerir það einfalt og þægilegt að skipta um verkfæri án hjálpartækja. SDS verkfærin virka þannig að ekki þarf eins mikinn þrýsting við borun. Það hefur þó ekki áhrif á nákvæmni borgatsins, þar sem borinn miðjustillir sig meðan á borun stendur.

Annars konar verkfæri með sexhyrnum enda passa einnig í SDS patrónuna. Rykhlífín (2) kemur að mestu leyti í veg fyrir að borryk berist inn í patrónuna við notkun. Þegar borinn er settur í þarf að gæta þess að rykhlífín sé ekki skemmd.

Svona eru SDS verkfærin sett í vélina (sjá mynd A)

Hreinsið og smyrjið létt endann á bornum sem fer í patrónuna. Snúið bornum í þar til hann festist sjálfkrafa. Athugið hvort borinn haf festis með því að toga létt í hann.

Svona eru SDS verkfærin fjarlægð (sjá

mynd A)



VARÚÐ! Borar og aðrir fylgihlutir geta verið heitir rétt eftir notkun.

Gætið þess að þeir komist ekki í snertingu við bera húð og notið viðeigandi hanska eða hlífar þegar þeir eru fjarlægðir. Ýtið láshringnum (3) aftur og fjarlægjið verkfærið. Þurrkið alltaf af verkfærunum eftir hverja notkun.

Frásog á ryki/sagi

Ryk úr efnum eins og húðun sem inniheldur blý, sumum viðartegundum, steinefnum og málmum geta verið skaðleg heilsu fólks. Ef rykið er snert eða því andað að sér getur það valdið ofnæmisviðbrögðum og/eða sýkingu í öndunarferum hjá notanda sagarinnar eða nærstöddum.

Sumt ryk, eins og ryk úr eik eða beyki, eru talin krabbameinsvaldandi, sérstaklega í tengslum við viðarmeðhöndlunarefni (krómat, fúavarnarefni). Eingöngu fagmenn ættu að meðhöndla efni sem innihalda asbest.

- Gætið þess að vinnusvæðið sé vel loftræst.

- Mælt er með að notuð sé P2 öndunargríma með síu.

Athugið reglugerðir á hverjum stað varðandi meðhöndlun efnanna sem unnið er með.

Hafist handa Virkinn stillt

Virkni borvélarinnar er stillt milli höggborunar/borunar með þar til gerðum rofa.

Athugið: Aðeins má skipta um virkni þegar slökkt er á vélinni! Annars getur vélin skemmst.

Til að skipta á milli þarf að velja höggborun/borun með því að snúa rofanum (4).



Veljið höggborun ef bora á í steypu eða stein



Veljið venjulega borun ef bora á í tré, málm, keramik og plast, og eins ef á að nota vélina til að skrúfa

Snúningsátt snúið við

Hreyfið rofann sem stjórnar snúningsátt (5) aðeins þegar vélin er ekki í notkun.

Rofi sem stjórnar snúningsátt (5) er notaður til að breyta snúningsáttinni. Það er þó ekki hægt ef kveikt er á aðalrofa (6).

Hægri snúningur: Til að bora og skrúfa þarf að ýta rofa fyrir snúningsátt (5) til vinstri.

Vinstri snúningur: Til að losa um og skrúfa úr skrúfur og rær þarf að ýta rofa fyrir snúningsátt (5) í gegn til hægri.

Kveikt og slökkt

Til að kveikja á verkfærinu er þrýst á aðalrofan (6) og honum haldið inni. Til að slökka á vélinni er aðalrofanum (6) sleppt.

Við lágt hitastig tekur það svolitla stund fyrir höggborvélina að ná mestum höggþunga.

Athugið: Mögulega má sjá neistaflug í gegnum vélarhlífina þegar borvélin er í notkun. Neistaflugið er eðlilegt þegar vélin

er í gangi og stafar af núningi mismunandi hluta hennar. Þetta hefur ekki áhrif á virkni verkfærisins. Við mælum þó ekki með að það sé notað nærri eldfimum vökvum, gasi eða ryki, sem neistarnir gætu kveikt í.

Hraði/högghraði stilltur

Hægt er að stilla hraða/högghraða meðan borvélin er í notkun með mismunandi miklum þrýstingi á aðalrofan (6). Ýtið létt á aðalrofan til að halda hægum hraða. Ef þrýst er fastar eykst hraðinn.

Hitastýrð vörn gegn ofálagi.

Þegar borvélin er notuð eins og ætlast er til, verður álagið aldrei of mikið. Ef álagið er of mikið eða ef hitastig rafhloðunnar fer yfir 70°C slekkur vörnin á vélinni og ekki er hægt að kveikja aftur fyrr en hitastigið hefur lækkað aftur.

Góð ráð

Færið verkfærið að skrúfunni/rónni á meðan slökkt er á því. Borbitar á hreyfingu geta runnið úr verkfærinu.

VIÐHALD OG ÞRIF

Áður en átt er við vélina sjálfa (eins og við viðhald eða skipti á verkfæri), og eins þegar hún er flutt á milli staða eða í geymslu, þarf að miðjustilla rofa sem stjórnar snúningsátt. Það getur valdið slyshættu að þrýsta óvart á gikkinn.

Til að tryggja örugga og eðlilega virkni ætti alltaf að halda loftræstigötum hreinum.

LEIÐBEININGAR FYRIR

UMHVERFISVÆNA FÖRGUN

Leggðu þitt af mörkum til að vernda umhverfið

Upplýsingar (til einkanota) varðandi umhverfisvæna förgun rafeindasorps

(WEEE reglugerðin)



Merki þetta á vöru eða meðfylgjandi gögnum þýðir að henni megi ekki farga með almennu heimilissorpi þegar notkun hennar er lokið. Vöruna þarf að fara með á förgunarstöð þar sem tekið er við henni endurgjaldslaust og henni fargað á viðeigandi hátt fyrir rafeindasorp. Í sumum löndum er ef til vill mögulegt að fara með vöruna til seljanda til förgunar, ef keypt er ný samskonar vara. Með því að farga vörunni á réttan hátt er farið vel með dýrmætar náttúruauðlindir og komið í veg fyrir möguleg slæm áhrif á heilsu fólks eða umhverfið vegna rangrar förgunar eða meðhöndlunar. Hafið vinsamlega samband við yfirvöld á hverju svæði til að fá upplýsingar um næstu förgunarstöð. Röng meðhöndlun rafeindasorps getur varðað við lög í sumum löndum.

Förgun gallaðra eða notaðra rafhlaðna

Notuðum rafhlöðum ætti ekki að farga með heimilissorpi. Tekið er við rafhlöðum á endurvinnslustöðvum, bensinstöðvum, raftækjaverslunum og víðar.

Til fyrirtækja í löndum utan Evrópusambandsins.



Þetta merki á aðeins við innan Evrópusambandsins. Hafið vinsamlega samband við yfirvöld á hverjum stað til að fá upplýsingar um rétta förgun þessarar vöru.

FIXA borhammer li-ion 14,4 V**TEKNISKE DATA**

Spenning: 14,4 V

Nominell hastighet: 0-900 omdr./min.

Slagrate: 0-4800 slag/min.

Slagenergi pr. slag: 1,0 J

Verktøyholder: SDS plus

Maks. borediameter:

- betong (med spiralbor) 10 mm
- stål 8 mm
- tre 10 mm

Batteri: Litium-ion-batteri

Kapasitet: 1,5 Ah

Antall batterier: 4

Oppladningstid: 5-7 timer

Lader: Lokal nettspenning

Løs patron: 10 mm, nøkkellos patron med hurtig montering/avmontering av bor

Vekt: 1,3 kg

Vibrasjonsnivå: (i henhold til EN 60745-1, EN 60745-2-6):

 $<a_n \cdot D = 5,9 \text{ m/s}^2, K = 1,5 \text{ m/s}^2$ $a_n = 4,7 \text{ m/s}^2, K = 1,5 \text{ m/s}^2$

Støy (i henhold til EN 60745-1):

Støyeffektnivå $L_{pa} = 86 \text{ dB (A)}$, $K_{pa} = 3 \text{ dB (A)}$,Støyeffektnivå $L_{wa} = 97 \text{ dB (A)}$, $K_{wa} = 3 \text{ dB (A)}$ **FUNKSJONER**

Nummereringen av produktets funksjoner under henviser til tegningen av borhammeren på illustrasjonssiden.

1. SDS-plus verktøyholder
2. Beskyttelsesdeksel mot støy
3. Låsepatron
4. Omskifter til borhammer/boring
5. Rotasjonsretningsomskifter
6. På-/avknapp
7. 3 mm trebor, brukes med ekstrachucken (for boring uten slag)

8. 5 mm trebor, brukes med ekstrachucken (for boring uten slag)
9. 5 mm SDS-bor (for boring med slag)
10. 6 mm SDS-bor (for boring med slag)
11. 8 mm SDS-bor (for boring med slag)
12. Grep (isolert gripeoverflate)
13. Kontakt til lader og lampe
14. Skiftepatron
15. Tilkobling til lader
16. Transformator til lader

BRUKSOMRÅDER

Denne borhammeren er beregnet til boring i betong, murstein og stein, og er også velegnet til boring uten slag i tre, metall, keramikk og plast med den løse, medfølgende patronen. Verktøy med elektronisk kontroll og høyre-/venstrerotasjon er også velegnet til bruk som skrutrekker.

Bruk kun batteriladeren, når du fullt ut forstår og kan utføre alle funksjoner uten problemer eller har mottatt den nødvendige veiledning.

MASKINSPESIFIKKE SIKKERHETSINSTRUKSJONER**GENERELLE SIKKERHETSINSTRUKSJONER****Advarsel!**

Les alle instruksjonene. Dersom du ikke følger alle instruksjonene under, kan dette føre til elektrisk støt, brann og/eller alvorlig personskade.

Spar på alle advarsler og instruksjoner for fremtidig bruk.

Uttrykket «elektroverktøy» i alle advarslene under refererer til ditt verktøy som

drives med elektrisk strøm eller batteri.

Sikkert arbeidsområde

a. **Hold arbeidsområdet rent og godt opplyst.** Rot og mørke områder gir større fare for ulykker.

b. **Ikke bruk elektroverktøy i eksplosive miljøer, som i nærheten av lett-antennelige væsker, gass eller støv.** Elektroverktøy gir gnister som kan antenne dunst fra væsker og gass.

c. **Hold barn og tilskuere unna mens du bruker elektroverktøy.** Distraksjoner kan føre til at du mister kontroll.

Elektrisk sikkerhet

a. **Kontakten til elektroverktøyet må passe til kontakten i veggen. Du må aldri endre på kontakten på noen måte. Ikke bruk adaptere til jordet verktøy.** Intakte og matchende kontakter vil redusere faren for elektrisk støt.

b. **Unngå kroppskontakt med jordede overflater slik som rør, radiatorer, komfyrer og kjøleskap.** Faren for elektrisk støt er større dersom din kropp er jordet.

c. **La ikke elektroverktøy bli utsatt for regn eller fuktige forhold.** Dersom det kommer inn vann i et elektroverktøy øker faren for elektrisk støt.

d. **Ikke skad kabelen. Bruk aldri kabelen til å bære eller dra elektroverktøyet eller for å dra ut stikkkontakten. Hold ledninger borte fra høye temperaturer, olje, skarpe kanter eller bevegelige deler.** Skadede eller sammenfiltrede kabler øker faren for elektrisk støt.

e. **Når du bruker elektroverktøy uten-dørs må skjøteledningen være egnet for utendørs bruk.** Dersom man bruker en skjøteledning for utendørs bruk reduseres faren for elektrisk støt.

f. **Hvis du ikke kan unngå å bruke elektroverktøyet i fuktige omgivelser, skal du bruke en beskyttelsesenhet til reststrøm (RCD).** Bruk av RCD reduserer risikoen for å få elektrisk støt.

Personlig sikkerhet

a. **Vær forsiktig, se på hva du gjør og bruk vanlig fornuft når du bruker elektroverktøy. Ikke bruk elektroverktøy når du er trøtt eller påvirket av narkotika, alkohol eller medisiner.** Et øyeblikks uoppmerksomhet når du bruker elektroverktøy kan føre til alvorlig personskade.

b. **Bruk verneutstyr. Bruk alltid vernebriller.** Sikkerhetsutstyr som støvmaske, vernesko som ikke glir, hjelm og hørselsvern brukt når forholdene krever det vil redusere faren for personskade.

c. **Unngå start ved et uhell. Sørg for at bryteren er i av-posisjon før du setter i ledningen.** Å bære elektroverktøy med fingeren på bryteren, eller å sette i kontakten på verktøy som har bryteren i på-posisjon inviterer ulykker.

d. **Ta av verktøy som for eksempel en skiftenøkkel før du skrur elektroverktøyet på.** Manuelt verktøy som er festet til den roterende delen av elektroverktøyet kan føre til alvorlig personskade.

e. **Ikke strekk deg for langt. Stå på stødig underlag og med god balanse.** Dette gir bedre kontroll over verktøyet i uventede situasjoner.

f. **Kle deg riktig. Ikke bruk løstsittende klær eller smykker. Hold hår, klær og hansker unna bevegelige deler.** Løse klær m.m. kan sette seg fast.

g. **Dersom det følger med innretninger som kan kobles til for å samle opp støv, sørg for at disse er koblet til og brukes riktig.** Bruk av disse kan redusere støvrelaterte skader.

Bruk og vedlikehold av elektroverktøy

a. **Ikke prøv å tvinge elektroverktøy. Bruk riktig verktøy for oppgaven.** Riktig elektroverktøy vil gjøre jobben bedre og tryggere og så raskt som det er designet for.

b. **Ikke bruk elektroverktøy dersom bryteren ikke lar seg skru av og på.** Ethvert verktøy som ikke kan kontrolleres med bryteren er farlig og må repareres.

c. **Trekk ut kontakten før du gjør justeringer, endrer bits, tilbehør eller pakker bort verktøyet.** Slike forebyggende sikkerhetstiltak reduserer faren for å starte opp verktøyet ved et uhell.

d. **Oppbevar elektroverktøy utenfor rekkevidde for barn og ikke la personer som ikke er kjent med denne typen verktøy eller disse instruksjonene utføre oppgaver med verktøyet.** Elektroverktøy er farlig i hendene på uerfarne brukere.

e. **Vedlikehold av elektroverktøy. Sjekk verktøyet og se etter skjev innstilling av eller låsing av bevegelige deler, ødelagte deler og andre forhold som kan påvirke bruken av verktøyet.** Mange uhell skjer på grunn av dårlig vedlikehold av elektroverktøy.

f. **Hold skjæreverktøy skarpt og rent.** Godt vedlikeholdt skjæreverktøy med skarpe skjærekanter har mindre sjanser for at de låser seg og gjør dem lettere å kontrollere.

g. **Bruk elektroverktøy, tilbehør og bits m.m. i henhold til disse instruksjonene og til den bruken dette elektroverktøyet er beregnet for også med tanke på arbeidsforhold og arbeidsoppgaver.** Bruk av elektroverktøy på andre måter enn det er beregnet for kan resultere i farlige situasjoner.

h. **Hold på elektroverktøyet på de isolerte gripeområdene, når du utfører arbeid der tilbehøret kan komme i kontakt med skjulte ledninger eller strømkabler.** Hvis fastelementet får kontakt med en strømførende ledning, kan de blottlagte metalldelene på verktøyet også bli strømførende og kan gi brukeren elektrisk støt.

Batteridrevet verktøy og vedlikehold

a. **Lades opp kun med den laderen som er angitt av produsenten.** En lader som passer til en batteripakke kan gi brannfare hvis den brukes med en annen batteripakke.

b. **Bruk kun elektroverktøy sammen med de batteriene som er angitt.** Hvis det brukes andre batterier, kan det oppstå fare for personskade og brann.

c. **Når batteriet ikke er i bruk, skal det holdes borte fra andre metallgjenstander, f.eks. binders, mynter, nøkler, stift, skruer eller andre små metalldeleler, som kan skape forbindelse mellom batteripolene.** Kortslutning av batteripolene kan forårsake forbrenning eller brann.

d. **Under for tøffe forhold kan det lekke væske fra batterier, unngå kontakt med denne væsken. Dersom du ved et uhell kommer i kontakt med væsken, skyl med vann. Dersom du får væsken i øynene, søk medisinsk hjelp.** Væske som spruter fra batterier kan gi irritasjon eller brannår.

Reparasjon

a. **Bruk en kvalifisert reparatør som bruker originale reservedeler for å reparere ditt elektriske verktøy.**

Dette vil sikre at verktøyet fungerer som det skal.

MASKINSPEKIFIKKE SIKKERHETSANVISNINGER

Sikkerhetsadvarsel for boring

Bruk hørselsvern, når du bruker borhammeren. Støy kan medføre hørselstap.

Bruk passende detektorer til å avgjøre om det kan skjule seg skjulte strøm-/gassledninger eller vannrør i arbeidsområdet ditt, eller ring ditt lokale strømforsyningselskap for assistanse.

Kontakt med elektriske ledninger kan medføre brann og elektrisk støt. Skader på en gassledning kan medføre eksplosjon. Gjennomslag av et vannrør kan medføre materiell skade eller elektrisk støt.

Slå straks av elektroverktøyet, dersom verktøyinnsatsen blokkeres. Vær oppmerksom, dersom elektroverktøyet arbeider med høye reaksjonsmomenter, da det kan medføre tilbakeslag.

Verktøyinnsatsen blokkeres, hvis
 • elektroverktøyet overbelastes
 • eller hvis det setter seg fast i arbeidsemnet

Når du arbeider med elektroverktøy,

skal du alltid holde godt fast i det med begge hender og sørge for å stå i en sikker arbeidsstilling.

Når du bruker begge hender på elektroverktøyet gir det både bedre nøyaktighet og sikrere bruk.

Bruk klemmer eller en skruestikke for å holde fast materialene du arbeider med. Det er tryggere enn å holde dem med den hånden du har ledig og frigjør begge hender til bruk av verktøyet.

Hold arbeidsplassen din ren. Der kan oppstå farlige situasjoner, hvis forskjellige materialer blir blandet. Lettmetallstøv kan brenne eller eksplodere.

Legg først elektroverktøyet fra deg, når det er stanset helt. Verktøyinnsatsen kan blokkeres, og du kan miste kontrollen over elektroverktøyet.

Rotasjonsretningsomskifteren skal settes i midtposisjon, før verktøyet justeres (f.eks. vedlikehold, utskifting av bor osv.) samt under transport og ved oppbevaring. Hvis du ved en feil kommer til å aktivere på-/avknappen, kan du komme til skade.

Beskytt elektroverktøyet mot varme, f.eks. vedvarende, intenst sollys, ild, vann og fukt. Eksplosjonsfare.

Hvis batteriet skades eller brukes på en måte det ikke er beregnet for, kan det utledes damp. Sørg for frisk luft, og søk legehjelp, hvis det skjer. Dampen kan irritere åndedrettssystemet.

Sikkerhetsadvarsler for batteriladere



Kun for innendørs bruk.



Dobbeltisolert.

Hold batteriladeren borte fra regn og fukt. Hvis det trenger vann inn i batteriladeren, stiger risikoen for å få elektrisk støt.

Lad ikke opp andre typer batterier. Batteriladeren er kun beregnet til å lade opp de batteriene som leveres med dette elektroverktøyet. Hvis den brukes til andre batterier, kan det oppstå risiko for brann eller eksplosjon.

Hold batteriladeren ren. Hvis den er tilsmusset, kan det oppstå fare for å få elektrisk støt.

Kontroller batterilader, ledning og støpsel før hver bruk. Dersom de er skadet, må batteriladeren ikke brukes. Forsøk aldri å åpne batteriladeren selv. Reparasjoner skal kun utføres av fagpersoner. Skadede batteriladere, ledninger og støpsel øker risikoen for å få elektrisk støt.

Batteriladeren må ikke brukes på lettantennelige overflater (f.eks. papir, tekstiler osv.) eller i brannfarlige omgivelser. Batteriladeren blir varm under oppladingsprosessen, og det kan medføre brannfare.

Barn skal overvåkes for å sikre at de ikke leker med batteriladeren.

VIBRASJONSINFORMASJON

Vibrasjonsnivå

Vibrasjonsutslippsnivået som er oppgitt i dette instruksjonsheftet er målt i henhold

til en standardisert test oppgitt i EN60745; den kan brukes til å sammenligne et verktøy med et annet og som foreløpig vurdering av utsatthet for vibrasjon når man bruker verktøyet som er nevnt. Bruk av verktøyet til andre bruksområder eller med annet eller dårlig vedlikeholdt tilbehør, kan vesentlig øke hvor utsatt brukeren blir.

Et estimat over tiden som brukeren utsettes for vibrasjon bør også ta med når verktøyet er slått av, eller når det er på men ikke brukes, fordi dette kan vesentlig redusere nivået for hvor utsatt man er.

Beskytt deg mot effekten av vibrasjon ved å vedlikeholde verktøyet og dets tilbehør, holde hendene varme og ha et godt organisert arbeidsmønster.

MONTERING

Rotasjonsretningsomskifteren skal settes i midtposisjon før verktøyet justeres (f.eks. vedlikehold, utskifting av bor osv.) samt under transport og ved oppbevaring. Hvis du ved en feil kommer til å slå på verktøyet kan du komme til skade.

Batterilading

Lading av din borhammer.

Når laderen er koblet til strøm lyser den røde dioden på borhammeren. Dioden lyser når batteriet lades (13).

Ved normal bruk kan slagbormaskinen lades opp flere hundre ganger.

VÆR OPPMERKSOM! Lading genererer varme i batteriet.

Merk: Batteriet som følger med borhammeren har kun blitt ladet opp for test av produktet og må fullades før første gangs bruk.

Les først sikkerhetsinstruksjonene, og følg deretter instruksjonene for å sette i batteri. Sett i ladepluggen (15) i ladeåpningen (13) på borhammeren. Koble deretter laderens transformator til strømmettet.

Sjekk at det ikke er floker på ledningen og at ledningen ikke er bøyd.

Laderens transformator og batteriet er designet for å brukes sammen.

Bruk **ALDRI** denne laderen til å lade opp elektrisk verktøy eller batterier fra andre leverandører. Batteriet blir gradvis utladet over tid, også selv om verktøyet ikke blir brukt.

Litium-ion-batteriet er beskyttet mot fullstendig utlading av ECP-batteribeskyttelse. Når batteriet er tomt, slås verktøyet av ved hjelp av et beskyttelseskretsløp, og boret slutter å rotere.



ADVARSEL! Unngå å trykke på på-/avknappen, når verktøyet er slått av automatisk, da dette kan skade batteriet.



ADVARSEL! Batteriet må kun lades opp på en ikke-brennbar overflate. Batteriet må ikke lades opp i mer enn 8 timer. Den røde lampen lyser grønt når batteriet er fulladet.

Trekk støpselet ut av kontakten, og oppbevar transformeren et passende sted, når den ikke er i bruk.

Det anbefales ikke å lade opp batteriet i temperaturer under frysepunktet.

Når du skal ta batteriet ut av skrutrek-

keren/drillen, skal du aktivere på-/avknappen (5), til batteriet er helt utladet. Løsne skruene på dekslet, og ta det av. Avmonter batteritilkoblingene og ta batteriet ut (se illustrasjon A).

BRUKERINSTRUKSJONER

Slik skifter du bor

SDS-plus verktøyholderen gjør det enkelt å skifte bor uten å bruke verktøy. På grunn av deres funksjonsprinsipp beveger SDS-plus boreverktøy seg fritt. Det medfører radialkast ved tomgang. Det har dog ingen effekt på borehullets nøyaktighet, fordi boret sentrerer seg selv, når det bores. SDS-verktøyholderen kan også brukes til forskjellige bortyper med sekskantet skaft. Beskyttelsesdekslet (2) forhindrer det meste av borestøvet i å trenge inn i verktøyholderen under betjening. Når du setter boret i, skal du passe på ikke å skade beskyttelsesdekslet (2).

Slik setter du inn SDS-plus boreverktøy i (se figur A)

Rens skaftet på boret, og smør det lett.

Sett boret i verktøyholderen, mens du dreier det fra den ene siden til den andre, inntil det sitter fast.

Kontrollér at boret sitter fast ved å trekke i det.

Slik tar du ut SDS-plus bor (se figur A)



ADVARSEL! Tilbehøret kan være varmt etter bruk. Unngå kontakt med huden, og bruk beskyttelseshansker eller en klut når du tar boret ut. Skyv låsepatronen (3) tilbake, og ta boret ut. Tørk av boret når det er tatt ut.

Støv-/sponutsuging

Støv fra materialer, f.eks. blyholdig maling, visse tresorter, mineraler og metall, kan være helsefarlige. Berøring eller innånding av støv kan medføre allergiske reaksjoner og/eller åndedrettsinfeksjoner hos brukeren eller personer, som oppholder seg i nærheten av arbeidsplassen.

Visse former for støv, f.eks. eike- eller bøkestøv, anses for å være kreftfremkallende, især i forbindelse med stoffer til trebehandling (kromat, trebeskyttelsesmiddel). Asbestholdige materialer må kun håndteres av fagfolk.

Sørg for god ventilasjon av arbeidsplassen. Det anbefales å bruke pustemaske med filterklasse P2.

Overhold de forskrifter, som gjelder i ditt land for de materialene, som skal bearbejdes.

Ta i bruk

Still inn driftmodus.

Velg ønsket driftmodus med omskifteren for borhammer/boring (4).

Merk: Skift kun mellom borhammer/boring, når verktøyet er av! Ellers kan det bli skadet.

Når du vil endre driftmodus, skal du sette omskifteren for borhammer/boring (4) i ønsket posisjon.



Posisjon for borhammer til boring i betong eller stein



Posisjon til boring uten slag i tre, metall, keramikk og plast og til bruk som skrutrekker.

Slik vendes rotasjonsretningen

Bruk kun rotasjonsretningsomskifteren (5), når verktøyet er av.

Rotasjonsretningsomskifteren (5) brukes til å endre verktøyets rotasjonsretning. Det er ikke mulig når på-/avknappen (6) er aktivert.

Rotasjon til høyre: Når du vil bore hull og skru i skruer, skal du skyve rotasjonsretningsomskifteren (5) til venstre helt til den stopper.

Rotasjon til venstre: Når du vil løsne og fjerne skruer og bolter, skal du skyve rotasjonsretningsomskifteren (5) til høyre helt til den stopper.

Merk: Det forekomme gnister som er synlige gjennom åpningene i motorhuset når verktøyet brukes. Gnistene er en normal reaksjon når motoren er i bruk og skapes når delene inne i motoren beveger seg mot hverandre. Verktøyets funksjon påvirkes ikke av dette. Vi anbefaler likevel at du ikke bruker dette elektroniske verktøyet i nærheten av brennbare væsker, gasser eller støv, som gnistene kan antenne.

Slå på og av

Verktøyet slås på ved å trykke på på-/avknappen (6) og holde den nede.

Verktøyet slås av ved å trykke på på-/avknappen (6).

Ved lave temperaturer når elektroverktøyet først sin fulle hammer-/slagkapasitet etter noe tid.

Slik stiller du inn hastighet/slagrate

Hastigheten/slagraten for elektroverktøyet kan når det er slått på stilles inn trinnløst, avhengig av hvor lenge på-/avknappen (6) trykkes ned.

Ett lett trykk på på-/avknappen (6) resulterer i en lav hastighet/slagrate. Ett hardere trykk på knappen øker hastigheten/slagraten.

Temperaturavhengig beskyttelse mot overbelastning

Når elektroverktøyet brukes til det beregnede formålet, overbelastes det ikke. Hvis belastningen er for høy, eller hvis den tillatte batteritemperaturen på 70° overskrides, vil den elektroniske kontrollen slå av verktøyet, inntil temperaturen igjen er innenfor det optimale temperaturområdet.

Tips til bruk

Sett kun elektroverktøyet inntil skruen/bolten, når det er slått av, ellers kan en roterende verktøyinnsats falle av.

VEDLIKEHOLD OG RENGJØRING

Rotasjonsretningsomskifteren skal settes i midtposisjon, før verktøyet justeres (f.eks. vedlikehold, utskifting av bor osv.) samt under transport og ved oppbevaring. Hvis du ved en feil kommer til å starte verktøyet, kan du komme til skade.

Hold alltid verktøyet og ventilasjonsåpningene rene, slik at skrutrekker/drillen fungerer sikkert og korrekt.
INSTRUKSJONER FOR MILJØVENNLIG

AVFALLSDEPONERING

Hjelp til å beskytte miljøet

Informasjon (for privathusholdninger) om miljøvennlig kasting av elektrisk og elektronisk utstyr i henhold til direktivet for elektriske og elektroniske produkter.



Dette symbolet på elektriske og elektroniske produkter og medfølgende dokumentasjon indikerer at disse produktene ikke kan kastes med vanlig husholdningsavfall. I stedet skal disse produktene leveres kostnadsfritt tilbake til et IKEA-varehus, eller til et innsamlingspunkt for spesialavfall for enten å kastes, behandles, gjenbrukes eller resirkuleres. Ved å kvitte deg med dette produktet på riktig måte bidrar du til å spare verdifulle naturressurser og eliminere de negative effektene som uansvarlig kasting og håndtering av avfall kan ha på helse og miljø. Kontakt relevante lokale myndigheter dersom du trenger informasjon om nærmeste innsamlingspunkt for elektriske og elektroniske produkter. Ulovlig kasting av denne type avfall kan føre til bøter eller andre straffereaksjoner i henhold til gjeldende lover og forskrifter.

Avskaffelse av batterier

Batteriene må ikke avskaffes sammen med vanlig husholdningsavfall. I overensstemmelse med loven skal skadede eller brukte batterier avleveres på nærmeste innsamlingssted for batterier eller hos en relevant virksomhet, uten ekstra kostnad. Manglende overholdelse av disse reglene kan medføre bøter eller annen straff.

Informasjon om avhending for brukere utenfor EU.



Dette symbolet gjelder bare innenfor EU.
Vennligst kontakt relevante myndigheter
eller forhandler i ditt land for informasjon
om korrekt metode for avhending av dette
produktet.

FIXA-poravasara, jossa litiumioniakku 14,4 V

TEKNISET TIEDOT

Jännite: 14,4 V

Nimellinen kierrosluku: 0-900 rpm

Iskuluku: 0-4800 bpm

Iskuenergia/isku: 1,0 J

Istukka: SDS plus

Poranterän enimmäishalk.:

- betoni (kierukkaporanterällä) 10 mm (3/8")

- teräs 8 mm (5/16")

- puu 10 mm (3/8")

Akku: litiumioniakku

Kapasiteetti: 1,5 Ah

Akkukennojen lukumäärä: 4

Latausaika: 5-7 h

Laturi: paikallinen verkkojännite

Erillinen istukka: 10 mm (3/8"), pikaistukka, joka on nopea

avata ja sulkea

Paino: 1,3 kg (2.86 lbs)

Tärinä: (EN 60745-1 ja EN 60745-2-6 mukaan):

$<a_{n,D} = 5,9 \text{ m/s}^2$, $K = 1,5 \text{ m/s}^2$

$a_n = 4,7 \text{ m/s}^2$, $K = 1,5 \text{ m/s}^2$

Ääni (EN 60745-1 mukaan):

Äänen painetaso $L_{pa} = 86 \text{ dB (A)}$,

$K_{pa} = 3 \text{ dB (A)}$,

Äänen tehotaso $L_{wa} = 97 \text{ dB (A)}$,

$K_{wa} = 3 \text{ dB (A)}$

LAITTEEN OSAT

Alla olevat numeroidut kohdat viittaavat tämän vihkosen alkupäässä oleviin poravasaran piirroskuviin.

1. SDS plus -istukka
2. Pölynsuojus
3. Lukkoholkki
4. Vasaraporaus/porausvaihtokytkin
5. Pyörimissuunnan valitsin

6. Virtakytkin
7. Ø 3 mm (1/8") poranterä puulle, käytetään vaihtoistukan kanssa (tavalliseen poraamiseen)
8. Ø 5 mm (3/16") poranterä puulle, käytetään vaihtoistukan kanssa (tavalliseen poraamiseen)
9. Ø 5 mm (3/16") SDS-kiinnitteinen poranterä (vasaraporaamiseen)
10. Ø 6 mm (1/4") SDS-kiinnitteinen poranterä (vasaraporaamiseen)
11. Ø 8 mm (5/16") SDS-kiinnitteinen poranterä (vasaraporaamiseen)
12. Kahva (eristetty pinta, joka takaa hyvän otteen)
13. Laturin liittimen kytkentä ja valodiiodi
14. Vaihtoistukka
15. Laturin liitin
16. Laturin muuntaja

KÄYTTÖTARKOITUS

Tämä poravasara on tarkoitettu betonin, tiilen ja kiven vasaraporaamiseen. Ilman vasaraominaisuutta ja erillisen mukana tulevan istukan kanssa se soveltuu myös puun, metallin, keramiikan ja muovin poraamiseen. Laitteet, joissa on sähköinen säädin ja pyörimissuunnan valitsin (oikea/vasen), soveltuvat myös ruuvien ruuvaamiseen.

Käytä laturia vain, jos pystyt rajoituksetta arvioimaan ja hallitsemaan kaikkia toimintoja tai jos olet saanut asianmukaiset ohjeet.

LAITEKOHTAISTA TURVALLISUUSTIETOJA

Sähkötyökalujen yleisiä turvallisuusohjeita



VAROITUS!



Lue kaikki ohjeet huolellisesti.

Ohjeiden noudattamatta jättäminen saattaa aiheuttaa sähköiskun, tulipalon ja/tai vakavan loukkaantumisen.

Säilytä kaikki ohjeet myöhempää käyttöä varten.

Seuraavissa ohjeissa käytetään yleisnimitystä "laite" sekä verkkovirralla toimivista että akkukäyttöisistä (johdottomista) laitteista.

Työskentelyalueen turvallisuus

a. **Pidä työskentelyalue siistinä ja huolehdi hyvästä valaistuksesta.** Sotkuissa ja hämärässä ympäristössä onnettomuusriski on suurempi.

b. **Älä käytä laitetta ympäristössä, jossa on räjähdys- tai syttymisvaara, esimerkiksi helposti syttyvien nesteiden tai kaasun läheisyydessä tai pölyisessä tilassa.** Laitetta käytettäessä syntyy kipinöitä, jotka voivat sytyttää nesteen, kaasun tai pölyn.

c. **Rauhoita työskentelyalue muilta ihmisiltä, etenkin lapsilta.** Keskeytykset tai huomion kiinnittyminen muualle voivat saada sinut menettämään laitteen hallinnan.

Sähköturvallisuus

a. **Laitteen pistotulpan on aina sovittava pistorasiaan. Älä koskaan muuntele pistotulppaa millään tavalla. Älä käytä maadoitetun laitteen kanssa muunnoskappaletta, jonka tarkoituksena on muuttaa maadoitettu pistorasia maadoittamattomaksi tai päinvastoin.** Muuntelemattomat pistotulpat ja niiden kanssa yhteensopivat pistorasiat pienentävät sähköiskuvaaraa.

b. **Laitetta käytettäessä vältä koskettamasta maadoitettuja esineitä, esimerkiksi putkia, lämpöpattereita, liettä tai jääkaappia.** Jos kehosi on kosketuksissa maadoitettuun esineeseen, sähköiskuvaara kasvaa.

c. **Älä altista laitetta sateelle tai muuten märille olosuhteille.** Laitteen sisään päästessään vesi aiheuttaa sähköiskuvaaran.

d. **Huolehdi, että laitteen johto pysyy kunnossa. Älä koskaan kanna laitetta johdosta äläkä irrota laitetta pistorasiasta johdosta vetämällä. Suojaa johto kuumuudelta, öljyltä, teräviltä reunoilta ja liikkuvilta osilta.** Vahingoittunut tai soikeutunut johto kasvattaa sähköiskuvaaraa.

e. **Jos käytät laitetta ulkotiloissa, varmista, että jatkojohto soveltuu ulkokäyttöön.** Näin vähennät sähköiskuvaaraa.

f. **Jos laitetta on pakko käyttää kosteissa tiloissa, käytä vikavirtasuojakytkintä.** Näin vähennät sähköiskuvaaraa.

Henkilökohtainen turvallisuus

a. **Pysy tarkkaavaisena, keskity siihen, mitä olet tekemässä, ja pidä maalaisjärki mukana käyttäessäsi laitetta. Älä käytä laitetta väsyneenä tai lääkkeiden tai alkoholin vaikutuksen alaisena.**

Tarkkaavaisuuden hetkellinenkin herpaantumisen laitetta käytettäessä voi johtaa vakavaan onnettomuuteen.

b. **Käytä henkilönsuojaimia. Käytä aina suojalaseja.** Asianmukaisesti käytettyinä henkilönsuojaimet kuten hengityssuojain, luistamattomat turvakengät, kypärä ja kuulosuojaimet vähentävät loukkaantumiskärsiä.

c. **Huolehdi, ettei laite pääse käynnistymään vahingossa. Varmista, että laitteen virta on kytketty pois päältä ennen kuin laitat pistotulpan pistorasiaan ja/tai laitat akun paikoilleen tai kun kannat laitetta.** Älä kanna laitetta siten, että sormesi on virtakytkimellä, äläkä laita pistotulppaa pistorasiaan, jos virtakytkin on painettu alas.

d. **Ennen laitteen käynnistämistä varmista, ettei laitteessa ole kiinni jakoavainta, ruuvimeisseliä tai muuta irrallista työkalua.** Laitteen pyöriessä osassa kiinni oleva työkalu voi aiheuttaa onnettomuuden.

e. **Älä kurkottele käyttäessäsi laitetta.** Pidä molemmat jalkasi maassa ja huolehdi hyvästä tasapainosta koko ajan. Näin pystyt hallitsemaan laitetta paremmin, jos jotakin odottamatonta tapahtuu.

f. **Pukeudu asianmukaisesti. Vältä löysien vaatteiden ja korujen käyttöä.** Pidä hiuksesi, vaatteesi ja suojakäsineesi kaukana laitteen liikkuvista osista, jotta ne eivät takerru kiinni mihinkään.

g. **Jos laitteessa on toiminto tai sen mukana tulee lisävaruste, joka kerää porattaessa syntyvän pölyn talteen, käytä toimintoa/lisävarustetta.** Näin voit pienentää pölyn aiheuttamien riskien määrää.

Laitteen käyttö ja huolto

a. **Älä ylikuormita laitetta. Valitse työkalu kulloisenkin työtehtävän mukaan, niin työ sujuu helpommin ja turvallisemmin.**

b. **Älä käytä laitetta, jos sitä ei voi käynnistää ja sammuttaa virtakytkimestä.** Laite, jonka virtakytkin ei toimi normaalisti, on vaarallinen ja täytyy korjata.

c. **Irrota aina pistotulppa pistorasiasta ja/tai laitteen akku säilytyksen ajaksi ja kun aiot säätää laitetta tai vaihtaa siihen työkalun.** Kun toimit näin, riski, että laite käynnistyy odottamatta, pienee.

d. **Säilytä laite lasten ulottumattomissa äläkä anna laitetta kokemattoman tai näihin ohjeisiin tutustumattoman henkilön käyttöön.** Osaamattomissa käsissä laite voi olla vaarallinen.

e. **Pidä laitteesta hyvää huolta. Tarkasta laitteen kunto säännöllisesti ja jos huomaat sen vahingoittuneen, korjauta se ennen seuraavaa käyttökertaa.** Huonokuntoinen laite voi aiheuttaa onnettomuuden.

f. **Pidä terät puhtaina ja terävinä.** Asianmukaisesti hoidetut laitteet, joiden terät ovat terävät, toimivat tehokkaimmin ja ovat helpoimpia kontrolloida.

g. **Huolla laitetta, sen teriä ja muita osia näiden ohjeiden mukaisesti ja**

laitteen tyyppi huomioiden. Valitse laite työn ja olosuhteiden mukaan.

Laitteen käyttö muuhun kuin mihin se on tarkoitettu voi aiheuttaa vaaratilanteen.

h. Työskennellessäsi laitteella paikois- sa, joissa ruuvattavat ruuvit/poran- terä saattavat vahingoittaa piilossa olevia johtoja tai laitteen omaa johtoa, pidä kiinni laitteen eristetyistä käden- sijoista. Kosketus jännitteeseen johtoon voi tehdä laitteen metalliset osat jännit- teisiksi ja aiheuttaa laitteen käyttäjälle sähköiskun.

Akkukäyttöisen laitteen käyttö ja huolto

a. Lataa akku vain valmistajan suosit- telemalla laturilla. Vääränlainen laturi voi aiheuttaa tulipalovaaran.

b. Käytä laitteessa ainoastaan kysei- seen laitteeseen tarkoitettua akkua. Vääränlaisen akun käyttö saattaa aiheuttaa loukkaantumis- ja tulipalovaaran.

c. Silloin kun akku ei ole käytössä, säi- lytä se kaukana metalliesineistä, kuten paperiliittimistä, kolikoista, avaimista, neuloista ja ruuveista, jotka saatta- vat saada akun navat oikosulkuun. Oikosulku voi aiheuttaa palovammoja tai tulipalovaaran.

d. Jos akkuun kohdistuu kova isku, siitä saattaa vuotaa nestettä. Älä kos- ke akkunesteeseen paljain käsin. Jos akkunestettä joutuu iholle, huuhte- le runsaalla vedellä. Jos akkunestettä joutuu silmiin, hakeudu lääkäriin. Akkuneste voi aiheuttaa ihoärsytystä tai palovammoja.

Huolto

a. Anna valtuutetun huoltoliikkeen korjata laite valmistajan alkuperäisva- raosilla.

Näin varmistat, että voit jatkossakin käyt- tää laitetta turvallisesti.

LAITEKOHTAISTA TURVALLISUUSTIE- TOA

Poriin liittyviä turvaohjeita

Käytä poravasarella työskennellessäsi kuulosuojaimia. Poraamisesta aiheutuva melu saattaa vahingoittaa kuuloa.

Käytä asianmukaista rakenneilmai- sinta tai pyydä ammattilaiselta apua työskentelyalueella mahdollisesti kulkevien kaapelointien ja/tai putkien määrittämiseksi. Sähköjohtoon poraami- nen voi aiheuttaa tulipalon tai sähköiskun vaaran. Kaasuputkeen poraaminen voi aiheuttaa räjähdyksen. Vesiputken lävistä- minen aiheuttaa vahinkoja kiinteistölle ja saattaa aiheuttaa sähköiskuvaaran.

Sammuta laite välittömästi, jos ruuvauskärki/terä juuttuu. Varaudu voimakkaaseen vastavaäntöön, joka voi aiheuttaa takaiskun. Ruuvauskärki/ terä jumittuu, kun:

- laite ylikuormittuu tai kiilautuu kiinni työkap- .paleeseen

Laitteesta on syytä pitää tukevasti kiinni kummallakin kädellä.

Laitetta on helpompi hallita, kun ote on hyvä.

Varmista työskentelyalueen turval- lisuus. Työstettävä kappale kannattaa kiinnittää puristimilla tai ruuvipenkkiin, jolloin työskentely on turvallisempaa kuin jos kappaletta pitää kädessä.

Pidä työskentelyalue puhtaana. Eri

materiaalien sekoittuminen saattaa olla erityisen vaarallista. Kevytmetallipöly saattaa syttyä palamaan tai räjähtää.

Odota, että laite on pysähtynyt, ennen kuin lasket sen kädestäsi. Laitteessa kiinni oleva terä/kärki saattaa jumittua ja aiheuttaa laitteen hallinnan menetyksen.

Laitteen tahaton käynnistyminen saattaa aiheuttaa loukkaantumisvaaran. Sen vuoksi pyörimissuunnan valitsin tulee lukita keskiasentoon ennen laitteen käsittelyä (esim. huollettaessa ja työkalua vaihdettaessa) sekä laitetta kuljetettaessa ja säilytettäessä.

Suojaa laitetta kuumuudelta, esim. jatkuvalta voimakkaalta auringonpaisteelta, tulelta, vedeltä ja kosteudelta. Räjähdyksivaara.

Laitteen akusta saattaa vapautua ilmaan höyryjä, jos se vahingoittuu tai sitä käytetään väärin. Jos saat oireita, hakeudu raittiiseen ilmaan ja lääkärin vastaanotolle. Höyryt saattavat ärsyttää hengitysteitä.

Akkulatureihin liittyviä turvallisuusohjeita



Vain sisäkäyttöön.



Kaksoiseristetty.

Säilytä laturi suojassa sateelta ja kosteudelta. Veden pääseminen laturin sisään lisää sähköiskun vaaraa.

Lataa laturilla ainoastaan sillä ladattavaksi tarkoitettuja akkuja. Laturi so-

veltuu ainoastaan laitteen mukana tulevan akun lataamiseen. Muunlaisten akkujen lataaminen laturissa voi aiheuttaa tulipalo- ja räjähdysvaaran.

Huolehdi, että laturi on puhdas. Lika saattaa aiheuttaa sähköiskuvaaran. **Tarkista aina ennen laturin käyttöä, että laturi, johto ja liitin ovat kunnossa. Jos havaitset vaurioita, älä käytä laturia. Älä avaa laturia. Laturin saa korjata ainoastaan ammattitaitoinen henkilö.** Vaurioitunut laturi, johto tai liitin lisää sähköiskun vaaraa.

Älä sijoita laturia helposti syttyvälle alustalle (esim. paperien tai tekstiilien päälle) tai helposti syttyvään paikkaan. Laturi kuumenee latauksen aikana, mikä voi aiheuttaa tulipalovaaran.

Lapsia tulee valvoa, jotta he eivät pääse leikkimään laturilla.

TIETOA TÄRINÄTASOSTA

Tärinätaso

Tässä ohjeessa ilmoitettu laitteen tärinätaso on mitattu EN 60745 -standardin mukaisella mittausmenetelmällä. Lukuarvoa voidaan käyttää laitteiden keskinäiseen vertailuun, ja sen avulla voidaan ennakkoon arvioida tärinälle altistumisen määrää silloin, kun laitetta käytetään ohjeissa mainittuihin käyttötarkoituksiin. Laitteen käyttäminen muihin kuin ohjeissa mainittuihin tarkoituksiin tai huonokuntoisten tai muiden kuin alkuperäisten lisävarusteiden kanssa saattaa kasvattaa tärinän määrää huomattavasti.

Värähtelyrasituksen tarkkaa arviointia var-ten määrätyn työaikajakson aikana tulisi ottaa huomioon myös se aika, jolloin laite on sammutettuna tai käy, mutta sitä ei käytetä. Tämä voi selvästi pienentää koko

työaikajakson värähtelyrasitusta.

Suojaudu tärinän aiheuttamilta vaikutuksilta huoltamalla laite ja sen lisävarusteet säännöllisesti, pitämällä kätesi lämpiminä ja suunnittelemalla työsi huolellisesti etukäteen.

KÄSITTELEMINEN

Laitteen tahaton käynnistyminen saattaa aiheuttaa loukkaantumisaarua. Sen vuoksi pyörimissuunnan valitsin tulee lukita keskiasentoon ennen laitteen käsittelyä (esim. huollettaessa ja ruuvauskärkeä/poranterää vaihdettaessa) sekä laitetta kuljettaessa ja säilytettäessä.

Akun lataaminen

Poravasaran akun lataaminen

Kun laturi liitetään verkkovirtaan, laitteessa oleva punainen merkkivalo (13) syttyy ja palaa koko latauksen ajan.

Normaaleissa käyttöolosuhteissa akun voi ladata useita satoja kertoja.

HUOM! Akku kuumenee latauksen aikana.

Laitteessa olevaa akkua on testiladattu tehtaalla, ja se pitää ladata täyteen ennen laitteen käyttöönottoa.

Lue ensin turvaohjeet ja noudata lataamista koskevia ohjeita. Liitä ensin laturin liitin (15) laitteessa olevaan laturin liittimen kytkentään (13). Laita sen jälkeen laturin muuntaja pistorasiaan.

Varmista, että laturin johdossa ei ole solmuja tai että johto ei ole taittunut.

Laturin muuntaja ja laitteessa oleva akku on suunniteltu käytettäväksi yhdessä.

Älä **KOSKAAN** käytä tämän laitteen muka-

na tulevaa laturia muiden akulla varustettujen laitteiden tai muiden valmistajien akkujen lataamiseen. Akun lataus purkautuu itsestään ajan mittaan myös silloin, kun laitetta ei käytetä.

Laitteessa olevassa litiumioniakussa on syväpurkauksen estävä elektroninen kennosuojaus (ECP). Kun akku on tyhjä, suojapiiri kytkee laitteen pois päältä, jolloin laitteessa oleva terä ei pyöri.



VAROITUS! Älä paina virtakytkintä, jos laite on pysähtynyt itsensä. Akku voi vioittua.



VAROITUS! Aseta laite latautumaan palamattomalle alustalle. Älä lataa akkua yli kahdeksaa tuntia kerrallaan. Punainen merkkivalo vaihtuu vihreäksi, kun akku on latautunut täyteen.

Irrota latauksen päätteeksi laturi laitteesta ja säilytä se asianmukaisessa paikassa.

Akkua ei ole suositeltavaa ladata pakkasessa.

Jos akku halutaan irrottaa laitteesta, pidä virtakytkintä (5) pohjassa kunnes akku on täysin tyhjä. Aukaise laitteen kuoren kiinnitysruuvit ja irrota kuoren toinen puoli. Irrota akun liittimet ja irrota akku (ks. kuva A).

KÄYTTÖOHJEET

Poranterän paikoilleen laittaminen

SDS plus -istukan ansiosta poraustyökalujen vaihtaminen onnistuu kätevästi ilman lisätyökaluja. Toimintaperiaatteensa ansiosta SDS plus -poraustyökalut pääsevät

liikkumaan vapaasti. Tämän takia tyhjä-käynnillä syntyy pyörintäheitto. Tällä ei kuitenkaan ole vaikutusta porattavan reiän tarkkuuteen, sillä poranterä keskittää itse itsensä poraamisen aikana.

SDS-istukkaan käyvät myös erilaiset kuusiovarrella varustetut poranterät. Pölynsuojus (2) estää porauspölyn pääsyn istukkaan poraamisen aikana lähes kokonaan. Huolehdi työkalua vaihtaessasi, että pölynsuojus (2) ei vahingoitu.

SDS-kiinnitteisten poranterien paikoilleen laittaminen (kuva A)

Puhdista terän varsi ja rasvaa se kevyesti.

Laita terä istukkaan kiertämällä sitä kunnes se lukkiutuu itsestään paikoilleen.

Varmista lukkiutuminen vetämällä terästä.

SDS-kiinnitteisten poranterien irrottaminen (kuva A)



VAROITUS! Terät saattavat kuumentua käytössä. Vältä ihokosketusta ja käytä työkalujen irrottamiseen asianmukaisia suojakäsineitä tai liinaa.

Työnnä lukkohoikkia (3) taaksepäin ja irrota terä. Terät on puhdistettava käytön jälkeen pyyhkimällä.

Pölyn-/lastunpoistoimu

Joistakin materiaaleista, kuten lyijypitoisista pinnoitteista, joistakin puulajeista, mineraaleista ja metalleista syntyvä pöly voi olla terveydelle haitallista. Pölyn koskettaminen tai hengittäminen voi aiheuttaa käyttäjälle tai lähellä oleville henkilöille allergisia reaktioita ja/tai hengitystietulehduksia.

Tiettyjen puulajien, kuten tammen tai pyökin, sahaamisesta syntyvä pöly luokitel-

laan karsinogeeniseksi, erityisesti yhdessä puunkäsittelyaineissa olevien lisäaineiden kanssa (kromaatti, puunsuoja-aine). Asbestipitoisia materiaaleja saavat käsitellä vain ammattilaiset.

- Huolehdi työtilan hyvästä ilmastoinnista.
- On suositeltavaa käyttää P2-luokan hengityssuojainta.

Ota huomioon maassasi voimassa olevat eri materiaalien käsittelyä koskevat säännökset.

Ennen laitteen käyttämistä

Käyttömuodon valinta

Laitteen käyttömuoto valitaan iskuporauksen/porauksen valintakytkimellä (4).

Huomaa: Käyttömuodon valinta on tehtävä laitteen ollessa pysähdyksissä, muutoin laite voi rikkoutua. Vaihda laitteen käyttömuotoa kääntämällä käyttömuodon valintakytkin (4) haluttuun asentoon.



Iskuporaus. Soveltuu betonin tai kiven poraamiseen.



Tavallinen poraus. Soveltuu puun, metallin, keramiikan ja muovin poraamiseen sekä ruuvinvääntöön.

Pyörimissuunnan vaihtaminen

Pyörimissuunnan vaihtokytkintä (5) saa käyttää vain, kun laite on täysin pysähdyk-

sissä.

Pyörimissuunnan vaihtokytkimellä (5) vaihdetaan laitteen pyörimissuuntaa. Pyörimissuuntaa ei kuitenkaan voi vaihtaa samalla, kun virtakytkintä (6) painetaan.

Kierto oikealle: Poraamista ja ruuvien kiristämistä varten paina vaihtokytkin (5) pohjaan vasemmalle.

Kierto vasemmalle: Ruuvien/muttereiden löysäämistä ja poistamista varten paina vaihtokytkin (5) pohjaan oikealle.

Laitteen käynnistäminen ja sammuttaminen

Laitte käynnistyy painamalla virtakytkintä (6) ja pitämällä se painettuna.

Laitte sammuu vapauttamalla virtakytkin (6).

Matalammissa lämpötiloissa työskennellessä laite saavuttaa täyden iskukapasiteetin vasta tietyn ajan kuluttua.

Huom! Laitteen moottorin kohdalla olevista aukoista saattaa näkyä kipinöitä laitetta käytettäessä. Ne ovat täysin normaaleja ja aiheutuvat moottorin osien liikkeestä toisiaan vasten. Kipinät eivät vaikuta laitteen toimintaan. Laitetta ei kuitenkaan suositella käytettäväksi syttyvien nesteiden, kaasujen tai pölyn lähellä syttymisriskin estämiseksi.

Nopeuden/iskuluvun säätäminen

Käynnissä olevan laitteen nopeuteen/iskulukuun vaikuttaa se, miten voimakkaasti virtakytkintä (6) painetaan. Näin nopeutta/iskulukua voi säätää portaattomasti. Virtakytkimen (6) kevyt painaminen saa aikaan matalan nopeuden/iskuluvun. Sitä mukaa kun virtakytkintä painetaan voimakkaammin, nopeus/iskuluku kasvaa.

Lämpötilaan reagoiva ylikuormitus-suoja

Kun laitetta käytetään asianmukaisesti, se ei voi ylikuormittua. Jos kuormitus on liian suuri tai jos akun lämpötila ylittää 70 °C:n raja-arvon, elektroninen säädin katkaisee laitteen virran kunnes lämpötila on laskenut.

Työskentelyvinkkejä

Ruuveja ruuvataessasi vie ruuvauskärki ensin ruuvien päälle ja käynnistä laite vasta sitten. Pyörivä ruuvauskärki saattaa luis-kahtaa sivuun.

HUOLTO JA PUHDISTUS

Laitteen tahaton käynnistyminen saattaa aiheuttaa loukkaantumisvaaran. Sen vuoksi pyörimissuunnan valitsin tulee lukita keskiasentoon ennen laitteen käsittelemistä (esim. huollettaessa ja ruuvauskärkeä/poranterää vaihdettaessa) sekä laitetta kuljettaessa ja säilytettäessä.

Jotta laite toimisi kunnolla, huolehdi siitä, että laite ja sen tuuletusaukot ovat puhtaita.

LAITTEEN HÄVITTÄMINEN

Ympäristötietoa

Tietoa (kotitalouksille) sähkö- tai elektroniikkalaitteiden ympäristöystävällisestä ja WEEE-direktiivin (Waste Electrical and Electronic Equipment) mukaisesta hävittämisestä.



Jos tuotteessa tai sen mukana tullessa

käyttöohjeessa on tämä merkintä, tuotetta ei saa hävittää muun talousjätteen mukana, vaan tuote tulee toimittaa ennalta määriteltyyn kierrätyspisteeseen, josta se toimitetaan edelleen asianmukaiseen käsittelyyn ja kierrätykseen. Joissakin maissa käytetyt tuotteet voidaan jättää myyjäliikkeeseen uuden tuotteen oston yhteydessä. Hävittämällä tämän laitteen oikealla tavalla autat säästämään arvokkaita luonnonvaroja ja minimoit terveyteen ja ympäristöön kohdistuvia haitallisia vaikutuksia. Oman asuinkuntasi viranomaisilta saat tarkempaa tietoa sähkö- ja elektroniikkalaitteiden hävittämisestä. Vääränlaisesta jätteenhävittämisestä voidaan voimassaolevan lain mukaan tuomita sakkorangaistukseen.

Vioittuneiden ja käytettyjen akkujen hävittäminen

Käytöstä poistettuja akkuja ei saa hävittää kotitalousjätteen mukana. Lain mukaan vioittuneet ja käytetyt akut tulee toimittaa lähimpään akkujen keräyspisteeseen tai niitä käsittelevään yritykseen. Epäasianmukaisesta hävittämisestä voi seurata sakko- tai muu rangaistus

Tietoa tuotteen hävittämisestä EU:n ulkopuolisissa maissa asuville.



Tämä symboli on käytössä vain EU:n alueella.

Kysy ohjeita tuotteen hävittämisestä sen myyjältä tai paikalliselta viranomaiselta.

FIXA borrhammare li-jon 14,4V**TEKNISKA SPECIFIKATIONER**

Spänning: 14.4V

Märkvarvtal: 0-900 v/min

Slagtal: 0-4800 slag/min

Enkelslagstyrka: 1,0 J

Verktysfäste: SDS plus

Max borrhåldiameter:

-betong (med spiralborr): 10 mm (3/8")

-stål: 8 mm (5/16")

-trä: 10 mm (3/8")

Batteri: Li-jon (litiumjon) batteri

Kapacitet: 1,5 Ah

Antal battericeller: 4

Laddningstid: 5-7 timmar

Laddare: lokal huvudspänning

Separat chuck: 10 mm (3/8"), verktygslösa

och snabba byten

av insatsverktyg

Vikt: 1,3 kg

Vibration:

(enligt EN 60745-1, EN 60745-2-6):

 $a_{h,D} = 5,9 \text{ m/s}^2$, $K = 1,5 \text{ m/s}^2$ $a_{h,v} = 4,7 \text{ m/s}^2$, $K = 1,5 \text{ m/s}^2$)

Buller (enligt EN 60745-1)

Ljudtrycksnivå = 86 dB (A),

onoggrannhet $K = 3 \text{ dB (A)}$

Ljudeffektsnivå = 97 dB (A),

onoggrannhet $K = 3 \text{ dB (A)}$ **LISTA PÅ KOMPONENTER**

Numreringen av komponenterna hänvisar till illustrationen av borrhammaren på grafiksidan.

1. SDS plus verktygsfäste
2. Dammskyddskåpa
3. Spårhylsa
4. Omkopplare för slagborrnig/borrnig
5. Riktningsskopplare
6. På/Av-knapp
7. Ø 3 mm (1/8") bit trä, används med utbyteschucken för borrnig utan slag

8. Ø 5 mm (3/16") bit trä, används med utbyteschucken (för borrnig utan slag)
9. Ø 5 mm (3/16") bit SDS (för borrnig med slag)
10. Ø 6 mm (1/4") bit SDS (för borrnig med slag)
11. Ø 8 mm (5/16") bit SDS (för borrnig med slag)
12. Handtag (isolerat grepp)
13. Hylsa för laddkontakt och ljusdiod
14. Utbyteschuck
15. Laddstickkontakt
16. Transformator för laddare

ANVÄNDNINGSMÅRÅDE

Denna borrhammare är avsedd för slagborrnig i betong, tegel och sten. Den är även lämplig för borrnig utan slag i trä, metall, keramik och plast med den medföljande separata chocken. Maskiner med elektronisk reglering och höger/vänstergång är också lämplig för skruvdragning.

Använd batteriladdaren endast om du fullständigt förstår alla funktioner och kan använda dem utan begränsningar eller har fått lämpliga instruktioner.

MASKINSPECIFIK SÅKERHETSANVISNINGAR**Allmänna säkerhetsföreskrifter för elverktyg****VARNING!**

Läs alla säkerhetsvarningar och instruktioner. Om inte samtliga varningar och instruktioner följs kan

resultatet bli elstötar, eldsvådor och/eller allvarlig skador.

Spara alla varningar och instruktioner för framtida bruk.

Termen "elverktyg" i samtliga varningar nedan syftar på nätdrivna elverktyg (med nätsladd) och batteridrivna elverktyg (sladdlösa).

Säkerhet i arbetsområdet

a. **Håll arbetsområdet rent och väl upplyst.** Stökiga och mörka arbetsområden kan leda till olyckor.

b. **Använd inte elverktyg i explosionsfarlig omgivning med brännbara vätskor, gaser eller damm.** Elverktygen alstrar gnistor som kan antända dammet eller gaserna.

c. **Håll barn och andra obehöriga borta då du använder ett elverktyg.** Störningar kan leda till att du tappar kontrollen över verktyget.

Elektrisk säkerhet

a. **Elverktygets kontakt måste passa vägguttaget. Ändra aldrig kontakten på något sätt. Använd inte adapterkontakter med jordade elverktyg.** Oförändrade kontakter och passande vägguttag minskar risken för elstötar.

b. **Undvik kroppskontakt med jordade ytor som t.ex. rör, värmeelement, spisar och kylskåp.** Det finns en större risk för elstötar om din kropp är jordad.

c. **Skydda elverktyget mot regn och väta.** Tränger vatten in i ett elverktyg ökar risken för elstötar.

d. **Använd nätsladden på ett korrekt sätt. Använd den inte för att bära eller hänga upp elverktyget eller för att dra kontakten ur vägguttaget. Håll nätsladden på avstånd från värme, olja, skarpa kanter och rörliga maskindelar.** Skadade eller tilltrasslade ledningar ökar risken för elstötar.

e. **När du arbetar med ett elverktyg utomhus använd endast förlängnings-sladdar som är avsedda för utomhusbruk.** Om en lämplig förlängningssladd för utomhusbruk används minskar risken för elstötar.

f. **Om du måste använda elverktyget i en fuktig miljö, använd ett felströmskydd/jordfelsbrytare.** Felströmsskyddet/jordfelsbrytaren minskar risken för elstötar.

Personlig säkerhet

a. **Var uppmärksam, kontrollera vad du gör och använd elverktyg med förnuft. Använd inte ett elverktyg när du är trött eller om du är påverkad av droger, alkohol eller mediciner.** Ett ögonblick av uppmärksamhet kan leda till allvarliga kroppsskador när du använder elverktyg.

b. **Använd personlig skyddsutrustning. Bär alltid skyddsglasögon.** Lämplig skyddsutrustning som t.ex. dammfiltermask, halkfria säkerhetsskor, skyddshjälm och hörselskydd minskar risken för kroppsskada.

c. **Undvik oavsiktlig igångsättning. Kontrollera att elverktyget är frånkopplat innan du ansluter kontakten till vägguttaget och/eller ansluter/tar bort batteriet, tar upp eller bär elverktyget.** Att bära elverktyget med fingret på strömställaren eller ansluta

påkopplat elverktyg till nätströmmen kan leda till olyckor.

d. Ta bort alla inställningsverktyg och skruvnycklar innan du kopplar på elverktyget. Ett verktyg eller en nyckel som lämnas kvar i en roterande komponent kan medföra kroppsskada.

e. Undvik onormala kroppsställningar. Se till att du alltid står stadigt med god balans. Det gör att du lättare kan kontrollera elverktyget i oväntade situationer.

f. Bär lämpliga arbetskläder. Bär inte löst hängande kläder eller smycken. Håll håret, kläderna och handskarna på avstånd från rörliga delar. Löst hängande kläder, långt hår och smycken kan fastna i roterande delar.

g. Om elverktyget används med utrustning för dammsugning och dammupsamling, se till att den monteras och används korrekt. Användning av denna utrustning minskar de risker damm orsakar.

Elverktyg - användning och skötsel

a. Överbelasta inte elverktyget. Använd korrekt elverktyg för den aktuella arbetsuppgiften. Med rätt elverktyg kan du arbeta bättre och säkrare inom angivet slagtal.

b. Använd inte elverktyget om inte På/Av-knappen fungerar. Elverktyg som inte kan styras med knappen är farligt och måste repareras.

c. Dra kontakten ur vägguttaget och/eller ta bort batteriet innan inställningar utförs, tillbehörsdelar byts ut eller när elverktyget ska förvaras.

Denna skyddsåtgärd minskar risken för att elverktyget sätts på av misstag.

d. Förvara elverktyg oåtkomliga för barn. Tillåt inte personer som inte är förtrogna med elverktyget eller inte läst denna anvisning använda det.

Elverktygen är farliga om de används av oerfarna personer.

e. Underhåll elverktyget omsorgsfullt. Kontrollera att rörliga komponenter inte är obalanserade eller kärvar. Se till att komponenter inte skadats eller andra förhållanden uppstår som kan påverka elverktygets funktioner negativt. Reparera eventuella skadade delar innan elverktyget tas i bruk. Många olyckor orsakas av dåligt skötta elverktyg.

f. Håll skärverktygen skarpa och rena. Omsorgsfullt skötta skärverktyg med skarpa eggar löper mindre risk att kärva och är enklare att styra.

g. Använd elverktyget, tillbehör, insatsverktyg, etc., enligt dessa anvisningar och på avsett vis. Ta hänsyn till arbetsförhållandena och det arbete som ska utföras. Om elverktyget används på ett sätt som det inte är avsett för kan fara uppstå.

h. Håll elverktyget i det isolerade handtaget då du utför arbete där fästelementet riskerar att komma i kontakt med dolda ledningar eller elverktygets egen kabel. Om fästelementet kommer i kontakt med en strömförande ledning kan metalldelarna på elverktyget bli strömförande och ge användaren en elstöt.

Batteriverktyg - användning och skötsel

- a. **Ladda batterierna enbart med den laddare som tillverkaren anvisat.** En laddare som är avsedd för en typ av batterier kan orsaka brandrisk om den används med andra batterier.
- b. **Använd elverktyg enbart med särskilt avsedda batterier.** Användning av andra batterier kan orsaka skade- och brandrisk.
- c. **När batterierna inte används håll dem borta från andra metallföremål, som gem, mynt, nycklar, spikar, skruvar och andra små metallföremål som kan skapa kontakt mellan två elektriska poler.** Kortslutning av batteripolerna kan orsaka brännskador och eldsvådor.
- d. **Om batteriet används på fel sätt finns risk för att vätska rinner ur batteriet. Undvik kontakt med vätskan. Vid oavsiktlig kontakt spola med vatten. Om vätska kommer i kontakt med ögonen uppsök dessutom läkare.** Batterivätskan kan medföra hudirritation och brännskada.

Service

Låt endast kvalificerad fackpersonal reparera elverktyget och endast med originalreservdelar.

Detta garanterar att elverktygets säkerhet upprätthålls.

MASKINSPECIFIKA SÄKERHETSANVISNINGAR

Säkerhetsvarningar för borr

Bär hörselskydd när du använder borrhammaren. Höga ljud kan orsaka hörselnedsättning.

Använd lämpliga detektorer för lokalisering av dolda försörjningsledningar eller rådfråga ditt lokala distributionsföretag. Kontakt med elledning kan förorsaka brand och elstötar. Skador på en gasledning kan leda till explosion. Borrning i vattenledning riskerar att orsaka skador på fastigheten och ge en elstöt.

Stäng genast av elverktyget om insatsverktyget blockeras. Var förberedd på höga reaktionsmoment som kan orsaka bakslag. Insatsverktyget blockeras om

- elverktyget överbelastas eller snedvids i arbetsstycket.

När du arbetar med elverktyget, håll det alltid ordentligt med båda händerna och se till att stå stadigt. Elverktyget hanteras säkrast med två händer.

Säkra arbetsstycket. Ett arbetsstycke som är fastspänt i en uppspänningsanordning eller ett skruvståd hålls säkrare än med handen.

Håll arbetsplatsen ren. Materialblandningar är särskilt farliga. Lättmetalldamm kan brinna och explodera.

Vänta tills elverktyget stannat helt innan du lägger ner det. Insatsverktyget kan haka upp sig och leda till att du förlorar kontrollen över elverktyget.

Innan åtgärder utförs på elverktyget (som underhåll, verktygsbyte, etc.), liksom transport och lagring, ställ riktningssomkopplaren i mittläget. Om

På/Av-knappen oavsiktligt påverkas finns risk för kroppsskada.

Skydda elverktyget mot hög värme från t.ex. lång och intensiv solbestrålning och eld, liksom mot vatten och fukt. Risk för explosion.

Skadade eller felanvända batterier kan orsaka att ångor uppstår. Tillför frisk luft och uppsök läkare vid besvär.

Ångorna kan leda till irritation i andningsvägarna.

Säkerhetsanvisning för laddare



Endast för inomhusbruk.



Dubbelisolerad.

Skydda laddaren mot regn och väta.

Tränger vatten in i laddaren ökar risken för en elektrisk stöt.

Ladda inte andra batterier. Batteriladdaren ska enbart användas för att ladda de batterier som följde med ditt elverktyg. I annat fall finns risk för eldsvåda och explosion.

Håll batteriladdaren ren. Nedsmutsning kan leda till risk för elstötar.

Kontrollera laddare, kabel och stickkontakt före varje användning. Använd inte laddaren om den är skadad. Du får själv aldrig öppna laddaren. Reparationer ska enbart utföras av kvalificerad fackman. Skadade laddare, ledningar eller stickkontakter ökar risken för elektrisk stöt.

Använd inte laddaren på lättantändligt underlag (som papper, textilier, etc.) eller i en lättantändlig omgivning.

Upphetningen av laddaren vid laddning upp kan medföra brandrisk.

Barn ska hållas under uppsikt så att de inte leker med laddaren.

VIBRATIONSinFORMATION

Vibrationsnivå

Vibrationsemissionsvärdet som står i den här instruktionsboken har uppmätts enligt ett standardiserat test i enlighet med EN 60745; detta värde kan användas för att jämföra vibrationen hos olika verktyg och som en ungefärlig uppskattning av hur stor vibration användaren utsätts för när verktyget används enligt det avsedda syftet. Om verktyget används på ett annat än det avsedda syftet eller med fel eller dåligt underhållna tillbehör kan detta drastiskt öka vibrationsnivån.

När verktyget stängs av eller är på men inte används, kan detta avsevärt minska vibrationsnivån.

Skydda dig mot vibration genom att underhålla verktyget och dess tillbehör, hålla händerna varma och styra upp ditt arbetssätt.

MONTAGE

Innan åtgärder utförs på elverktyget (t.ex. underhåll och verktygsbyte), liksom då det transport eras och lagras, ställ riktningssomkopplaren i mittläge. Ofrivillig aktivering kan leda till skador.

Batteriladdning

Ladda din borrtampare

När laddaren kopplas till eluttaget tänds den röda dioden på borrtamparen. Dioden lyser medan batteriet laddas (13).

Vid normal användning kan borrtamparen laddas flera hundra gånger.

WARNING! Laddningsprocessen genererar värme i batteriet.

Observera: Batteriet som följer med borrtamparen har enbart laddats i testsyfte och måste laddas fullt innan användning.

Läs först säkerhetsinstruktionerna och följ sedan laddningsanvisningarna. Sätt in laddstickkontakten (15) i borrtamparens uttag (13). Anslut sedan laddarens transformator till eluttaget.

Se till att det inte finns några knutar eller skarpa böjar i kabeln.

Laddarens transformator och batteriet är gjorda för att användas tillsammans.

Använd **ALDRIG** denna laddare för att ladda sladdlösa verktyg eller batterier från tillverkare. Batteriet kommer att gradvis förlora sin laddning över tid även om verktyget inte används.

Litiumjonbatteriet är skyddat mot djupurladdning genom "Electronic Cell Protection" (ECP). När batteriet är urladdat stängs elverktyget av genom en skyddskoppling. Insatsverktyget roterar inte längre.



WARNING! Fortsätt inte att trycka på På/Av-knappen efter att maskinen har stängts av automatiskt. Batteriet kan skadas.



WARNING! Ladda batteriet på ett icke-brännbart material. Ladda inte batteriet längre än åtta timmar. Den röda dioden blir grön när batteriet är fulladdat.

Koppla bort kabeln och förvara transformatorn på en lämplig plats när den inte används.

Det är inte lämpligt att ladda batteriet i köldgrader.

När batteriet ska tas ut ur maskinen, tryck på den strömbrytaren (5) tills batteriet har laddats ur helt. Skruva loss skruvarna i hylsan och ta bort hylsskyddet. Koppla bort kopplingarna på batteriet och ta ur batteriet (se illustration A).
ANVÄNDARINSTRUKTIONER

Byta verktyg

Verktygsfästet SDS plus gör det enkelt och bekvämt att byta insatsverktyg utan användning av hjälpverktyg. Tack vare sitt sätt att fungera rör sig SDS plus insatsverktyg fritt. På tomgång uppstår därför en rundgångsavvikelse. Detta har ingen betydelse för borrhålets noggrannhet eftersom borren centreras vid borring. I verktygsfästet SDS kan även olika borrtyper med sexkantskaft användas. Dammskyddsskåpan (2) hindrar i stor utsträckning borrdamm från att tränga in i verktygsfästet under användningen. Se till att dammskyddsskåpan (2) inte skadas vid monteringen av verktyget.

Sätt i SDS plus insatsverktyg (se illustration A)

Rengör insatsverktygets insticksända och smörj det lätt med fett.

Placera insatsverktyget med en vridrörelse i verktygshållaren tills verktyget automatiskt låser.

Kontrollera låsningen genom att dra i verktyget.

Ta ur SDS Plus insatsverktyg (se illustration A)



WARNING! Utrustningen kan vara varm efter användning. Undvik kontakt med huden och använd lämpliga skyddshandskar eller trasa för att ta bort den.

Skjut spärrhylsan (3) bakåt och ta ur insatsverktyget. All utrustning bör torkas ren efter urtagning.

Damm-/spånutsugning

Dammet från material som t.ex. blyhaltig målning, vissa träslag, mineraler och metall kan vara farligt för hälsan. Beröring eller inandning av dammet kan orsaka allergiska reaktioner och/eller andningsbesvär hos användaren eller personer i närheten.

Visst damm från ek eller bok anses vara cancerogena, speciellt tillsammans med tillsatssämnen för träbehandling (kromat, träkonserveringsmedel). Endast yrkesmän får bearbeta asbesthaltigt material.

-Se till att arbetsplatsen är väl ventilerad.
-Vi rekommenderar ett andningsskydd i filterklass P2.

Beakta de föreskrifter som i aktuellt land gäller för bearbetat material.

Driftstart

Inställning av driftsätt

Välj önskat driftsätt för elverktyget med omkopplaren "slagborrning/borrning" (4).

Observera: Ändring av driftsätt får endast ske när elverktyget är avstängt! I annat fall kan elverktyget skadas.

För växling av driftsätt vrid omkopplaren "slagborrning/borrning" (4) till önskat läge.



Läge för slagborrning i betong eller sten



Läge för borrning utan slag i trä, metall, keramik och plast samt för skruvdragning

Ändra rotationsriktning

Använd riktningssomkopplaren (5) endast på avstängt elverktyg.

Riktningssomkopplaren (5) används för att ändra elverktygets rotationsriktning. När På/Av-knappen (6) är nedtryckt kan omkoppling inte ske.

Högergång: För borrning och indragning av skruvar, tryck riktningssomkopplaren (5) åt vänster mot stopp.

Vänstergång: För lossning och utdragning av skruvar och muttrar, tryck riktningssomkopplaren (5) åt höger mot stopp.

Sätta på och stänga av

För att starta maskinen, tryck på På/Av-knappen (6) och håll den nedtryckt. För att stänga av maskinen, släpp På/Av-knappen. (6)

Vid låga temperaturer uppnår elverktuget full hammar-/slageffekt först efter en viss tid.

Observera: Gnistor kan synas genom öppningarna i motorhuset när verktuget används. Gnistorna är en normal reaktion när motorn är i bruk och skapas när delarna inne i motorn rör sig mot varandra. Verktugets funktion påverkas inte av detta. Vi rekommenderar dock att du inte använder elverktuget nära brännbara vätskor, gaser eller damm, vilket gnistorna kan antända.

Inställning av varvtalet/slagtalet

Varvtalet/slagtalet på påsatt elverktyg kan justeras steglöst genom att trycka ned På/Av-knappen (6) mer eller mindre. Ett lätt tryck på På/Av-knappen (6) ger ett lågt varvtalet/slagtalet. Med ökande tryck ökar varvtalet/slagtalet.

Temperaturberoende överbelastningskydd

Om elverktuget används på ändamålsenligt sätt kan det inte överbelastas. Vid för kraftig belastning eller om den tillåtna batteritemperaturen på 70 °C överskrids, kopplar elektroniken bort elverktuget tills det åter uppnått optimal drifttemperatur.

Arbetsanvisningar

Elverktuget ska vara avstängt när det förs mot muttern/skruven. Roterande insatsverktyg kan slira bort.

Underhåll och Rengöring

Innan åtgärder utförs på elverktuget (t.ex. underhåll och verktygsbyte), liksom då det transport eras och lagras, ställ riktningssomkopplaren i mittläge. Ofrivillig aktivering kan leda till skador.

För säker och korrekt användning håll alltid maskinen och ventilationsöppningar rena.

INSTRUKTIONER FÖR MILJÖMÄSSIG AVFALLSHANTERING

Miljöskydd

Information (för privata hushåll) om miljöriktig avyttring av elektrisk och elektronisk utrustning i enlighet med WEEE-direktivet (Waste Electrical and Electronic Equipment).



Märkning med den här symbolen på produkter och tillhörande dokumentation anger att uttjänt elektrisk och elektronisk utrustning inte får avyttras tillsammans med hushållsavfall. Produkterna ska istället lämnas in på bestämda insamlingsplatser där de kostnadsfritt omhändertas för lämplig avyttring, behandling, återanvändning och återvinning. I vissa länder kan man också återlämna produkterna till butiken vid inköp av en motsvarande ny produkt. Genom att avyttra den här produkten på rätt sätt så hjälper du till att spara värdefulla resurser och eliminerar de risker för negativa hälso- eller miljöeffekter som kan uppstå på grund av felaktig avyttring och hantering av avfall. Kontakta myndigheterna på platsen för information om närmaste insamlingsplats. Felaktig

avyttring av den här typen av avfall kan vara bötesbelagd enligt gällande lag.

Hantering av skadade eller förbrukade batterier

Släng inte kasserade batterier tillsammans med de vanliga hushållssoporna. Enligt lag måste skadade och förbrukade batterier tas till en insamlingsplats för batterier eller till ett företag som tar hand om batterierna. Den som inte följer dessa regler kan dömas till böter eller annat straff.

Information om avyttring i länder utanför Europeiska unionen.



Den här symbolen gäller endast inom Europeiska unionen. Kontakta myndigheterna eller återförsäljaren på platsen om du vill avyttra den här produkten och behöver information om rätt avyttringsmetod.

FIXA Vasartrell liitumioon 14,4V**TEHNILISED ANDMED**

Pinge: 14,4 V

Nominaalkiirus: 0-900 rpm

Mõju määr: 0-4800 lööki

Mõju energia löögi kohta: 1,0 J

Otsiku hoidja: SDS plus

Max puurimise dia.:

-betoon (koos keerdupuuriga) 10 mm (3/8 ")

-teras 8 mm (5/16 ")

-puut 10 mm (3/8 ")

Aku: Liitium-ioon aku

Maht: 1,5 Ah

Akuelementide arv: 4

Laadimisaeg: 5-7 h

Laadija: vooluvõrgu pinge

Eraldi padrun: 10 mm (3/8 "), võtmeta,

kiire kinnitus, kiirkinnitusega padrun

Kaal: 1,3 kg (2,86 naela)

Vibratsiooni tase: (vastavalt EN 60745-1, EN 60745-2-6):

<ah.D = 5,9 m/s², K = 1,5 m/s²

ah = 4,7 m/s², K = 1,5 m/s²

Müra (vastavalt EN 60745-1):

Helirõhutase LpA = 86 dB (A),

KPa = 3 dB (A),

Müra LWA = 97 dB (A),

Kwa = 3 dB (A)

OMADUSTE LOETELU

Toote osade numeratsioon - vt lööktrelli illustratsiooni.

1. SDS plus tööriistahoidik
2. Tolmukaitsekate
3. Lukustamise muhv
4. Lööktrelli/trelli valiku lüliti
5. Pöörlemissuuna lüliti
6. On/Off (sisse/välja) lüliti
7. Ø 3 mm (1/8 ") puidupuur, mida kasutatakse koos vahetatava padruniga (puurimiseks ilma löökide mõjuta)

8. Ø 5mm (3/16 ") puidupuur, mida kasutatakse koos vahetatava padruniga (puurimiseks ilma löökide mõjuta)
9. Ø 5mm (3/16 ") SDS puur (löökide mõjuga)
10. Ø 6mm (1/4 ") SDS puur (löökide mõjuga)
11. Ø 8mm (5/16 ") SDS puur (löökide mõjuga)
12. Käepide (isoleeritud haardepind)
13. Pistikupesa laadimisühendusele ja valgusdiod
14. Vahetatav padrun
15. Laadimisühendus
16. Laadija trafo

KASUTAMINE

Seda lööktrelli kasutatakse betooni, telliskivi ja kivi puurimiseks, kaasas oleva eraldi padruniga sobib ka puidu, metalli, keraamika ja plastiku puurimiseks. Elektroonilise kontrolli ja paremale / vasakule pööramise võimalusega seadmed sobivad ka kruvide keeramiseks.

Kasuta akulaadijat ainult siis, kui saad täielikult aru ja oskad täita kõiki ülesandeid, ilma piiranguteta või oled saanud asjakohaseid juhiseid selle kasutamiseks.

ÜLDISED OHUTUSJUHISED**Elektriliste tööriistade üldised ohutusjuhendid**

HOIATUS!



Lugege läbi kõik ohutusjuhendeid ja kõik juhiseid.

Hoiatuste ja juhendite mitte järgimine

võib põhjustada elektrilöögi saamise ohu, tulekahju või raskeid vigastusi.

Hoidke juhendid ja hoiatused alles.

Juhistes/hoiatuses esinev termin "elektriline tööriist" käib kõikide allpool loetletud võrgutoitega (toitejuhtmega) elektriliste tööriistade ja akutoitega (juhtmeta) elektriliste tööriistade kohta.

Töökooha ohutus

a. **Hoidke töökoht puhas ja hästi valgustatud.** Segadus ja valgustamata tööpiirkonnad võivad põhjustada õnnetusi.

b. **Ärge kasutage elektrilisi tööriistu plahvatusohtlikus keskkonnas, nt kus leidub tuleohtlikke vedelikke, gaase või tolmu.** Elektrilistest tööriistadest eraldub sädemeid, mis võivad süüdata tolmu/aurud .

c. **Hoidke lapsed ja teised isikud töökohast eemale.** Segamine võib põhjustada õnnetuse.

Elektriohutus

a. **Seadme pistik peab sobima pistikupesasse. Ärge muutke pistikut ühelgi juhul. Ärge kasutage adapter pistikuid maandatud (maandusega) tööriistadel.** Muutmata pistikud ja sobivad pistikupesad vähendavad elektrilöögi saamise riski.

b. **Vältige kontakti maandatud pindadega, nagu torud, radiaatorid, pliidid ja külmikud.** On suurenenud risk elektrilöögi saamiseks, kui teie keha on maandatud.

c. **Ärge jätke seadet vihma ja niiskuse kätte.** Vee sattumine elektritööriistale suurendab elektrilöögi saamise riski.

d. **Ärge kahjustage juhet. Ärge kunagi kasutage juhet seadme tassimiseks, ülesriputamiseks ega pistiku pistikupesast väljatõmbamiseks. Hoidke toitejuhet kuumuse, õli, teravate servade ja liikuvate osade eest.** Kahjustatud või keerduv juhtmed suurendavad elektrilöögi saamise ohtu.

e. **Kui töotate elektrilise tööriistaga vabas õhus, kasutage ainult pikendusjuhtmeid, mis sobivad välitingimustes kasutamiseks.** Välitingimustesse sobivate juhtmete kasutamine vähendab elektrilöögi saamise ohtu.

f. **Kui elektrilise tööriista kasutamine niiskes keskkonnas on vältimatu, kasutage rikkevooluseadmega kaitstud toidet.** Rikkevoolukaitsme kasutamine vähendab elektrilöögi saamise ohtu.

Ohutus

a. **Püsige valvel, jälgige oma tegevust hoolikalt ja kasutage elektrilist tööriista mõistlikult. Ärge kasutage seadet, kui olete väsinud või narkootikumide, alkoholi või ravimite mõju all.** Juba üks hetk, mil teie tähelepanu hajub, võib lõppeda tõsise vigastusega.

b. **Kasutage kaitsevarustust. Kaitske alati oma silmi.** Vastavas olukorras kasutuses olev kaitsevarustus, nagu tolmumask, libisemiskindla tallaga jaltsid, kiiver, kuulmiskaitse, hoiab ära suurema vigastusohu.

c. **Vältige soovimatut käivitumist: veenduge, et lüliti on OFF-positsioonis enne, kui ühendate seadme vooluallika või akuga, ja enne, kui kannate tööriista ühest kohast teise.** Hoides

näppu seadme kandmise ajal lülilit või lülitades seadme vooluvõrku, kui see on sisselülitatud, võite põhjustada õnnetuse.

d. Eemaldage reguleerimisvõti või mutrivõti enne, kui seadme sisse lülitate. Mutrivõti või võti, mis on jäetud seadme pöörleva osa külge, võib põhjustada vigastusi.

e. Ärge pingutage üle. Vaadake, et püsiksite kogu aeg tasakaalus ja teil oleks piisav toetuspind. Nii on teil seadme üle suurem kontroll ka ootamatutes olukordades.

f. Riietage end vastavalt. Ärge kandke lohvakaid rõivaid või ehteid. Hoidke oma riided, juuksed ja kindad liikuvatest osadest eemal. Lohvakad rõivad, ehted ja pikad juuksed võivad takerduda liikuvatesse osadesse.

g. Kui kaasas on ühendused, mis kinnituvad tolmuaäljatõmbamiseks või kogumiseks mõeldud tarvikute külge, veenduge, et need on korralikult ühendatud ja kasutatud. Selliste tarvikute kasutamine võib vähendada tolmuga seotud ohte.

Elektrilise tööriista kasutamine ja hooldus

a. Vältige seadme ülekoormust. Kasutage töö tegemiseks selleks ettenähtud elektrilist tööriista. Õige tööriist teeb, seda õige koormusega rakendades, tööd paremini ja ohutumalt.

b. Ärge kasutage elektrilist tööriista, mille lüliti ei lülitu sisse või välja. Elektriline tööriist, mida ei saa lüliti abil juhtida, on ohtlik ning seda tuleb remontida.

c. Ühendage pistik pistikupesast välja ja/või eemaldage seadme aku enne seadme reguleerimist, tarvikute vahetamist või seadme hoiustamist. Sellised ennetavad turvameetmed aitavad ära hoida elektritööriista soovimatut käivitumist.

d. Hoidke elektrilisi tööriistu alati lastele kättesaamatus kohas ja ärge lubage kasutada inimestel, kes pole tutvunud seadme ohutusjuhenditega. Elektrilised tööriistad võivad oskamatu kasutaja käes olla ohtlikud.

e. Hooldage seadmeid. Kontrollige, kas seadme liikuvate osade paindumine, purunemine või mis tahes muu olukord, võivad mõjutada seadme töökindlust. Kui mõnel osal esineb kahjustusi, tuleb seade enne kasutamist parandada. Paljude õnnetuste põhjuseks on halvasti hooldatud elektrilised tööriistad.

f. Hoidke lõiketerad teravad ja puhtad. Õigesti hooldatud lõiketerad on teravad ja kiiluvad harvemini kinni ning neid on lihtsam juhtida.

g. Kasutage elektrilist tööriista, lisatarvikuid ja otsikuid vastavalt siin toodud juhistele ja nagu on ette nähtud seda tüüpi elektrilise tööriista puhul, võttes arvesse töötingimusi ja teostatava töö iseloomu. Elektriliste tööriistade kasutamine mitte selleks ettenähtud eesmärkidel võib põhjustada ohtlikke olukordi.

h. Hoidke elektrilist tööriista töötamise ajal isoleeritud käepidemetest, kui kinnitus võib sattuda ühendusse varjatud elektrijuhtme või seadme enda juhtmega. „Elus“ elekter võib

tööriista metallosade kaudu and tööriista kasutajale elektrilöögi!

Akutööriista kasutamine ja hooldamine

a. **Laadige seadet ainult tootja poolt ettenähtud laadijaga.** Akulaadija, mis sobib teatud tüüpi akudele, võib olla tuleohtlik, kui seda kasutatakse teiste akudega.

b. **Kasutage elektrilisi tööriistu ainult ettenähtud akudega.** Kõik teised akud võivad tekitada vigastusi ja tulekahju.

c. **Kui patareisid ei kasutata, hoidke neid eemal metallesemetest nagu kirjaklambreid, mündid, võtmed, naelad, kruvid või muud väikesed metallist esemeid, mis võivad üksteise külge kinnituda ja patareid ühendada.** Lühise tagajärjel võite saada põletusi või võib tekkida tulekahju.

d. **Patareist/akust vedeliku eraldumise korral vältige kontakti sellega. Kokkupuute korral loputage veega. Kui vedelik satub silma, pöörduge lisaks arsti poole.** Akust/patareidest eralduv vedelik võib põhjustada nahaärritusi või põletusi.

Hooldus

a. **Laske oma tööriista hooldada kvalifitseeritud parandaja juures, kasutades ainult sellele tööriistale ettenähtud varuosi.** See tagab elektrilise tööriista ohutuse säilimise.

MASINA OHUTUSESKIRJAD

Trelli ohutusjuhend

Lööktrelli kasutades kandke kuulmiskaitsevahendid. Müra võib kahjustada kuulmist.

Trelli ja kruvikeeraja ohutusjuhendid

Kasutage sobivaid detektoreid, et teha kindlaks, kas tööpiirkonnas on peidetud trasse või helistage kohalikesse kommunaalteenetesse. Kokkupuutel elektrijuhtmetega on tulekahju ja elektrilöögi saamise oht. Gaasijuhtme kahjustamine võib põhjustada plahvatuse. Katkine veetoru võib põhjustada varalise kahju või elektrilöögi.

Lülitage elektriline tööriist kohe välja, kui tööriista ots kinni kiilub. Olge valmis, et suur pöördemoment võib põhjustada tagasilöögi. Tööriista ots jääb kinni kui:

- elektrilisel tööriistal on ülekoormus või
- see kiilub toorikus kinni.

Töötades elektrilise tööriistaga, hoidke seda alati tugevalt mõlema käega ja võtke stabiilne asend. Elektrilist tööriista on kõige turvalisem hoida mõlema käega.

Kinnitage toorik. Toorik kinnitage klambrite või kruustangidega, see tagab detaili parema paigalpüsimise kui käsitsi kinnihoidmine.

Hoidke oma töökoht puhas. Materjalide segud on eriti ohtlikud. Kergete sulamite tolm on tuleohtlik või plahvatusohtlik.

Alati oodake, kuni masin on täielikult seiskunud, enne kui selle käest maha panete. Lisatud tööriista otsik võib kinni

kiiluda ja te võite kaotada kontrolli masina üle.

Enne masina kasutamist (hooldamine, tööriista vahetamine jne), transportimisel või hoiustamisel, asetage pöörlemissuuna lüliti keskmisse asendisse. Seadme isekäivitumine võib põhjustada tõsiseid õnnetusi ja tekitada vigastusi.

Kaitske tööriista kuumuse eest, tugeva pideva päikesevalguse, tule, vee ja niiskuse eest. Plahvatusoht.

Kui patareisid/akusid on valesti kasutatud või need on kahjustatud, võivad eralduda mürgised aurud. Minge värske õhu kätte ja kaebuste püsimise korral pöörduge arsti poole. Aurud võivad ärritada hingamisteid.

Laadija ohutusjuhend



Ainult siseruumides kasutamiseks.



Kahekordse isolatsiooniga.

Ärge jätke laadijat vihma või niiskuse kätte. Niiskuse tungimine laadijasse suurendab elektrilöögi saamise riski.

Ärge kasutage laadijat muude patareide laadimiseks. Laadija on ettenähtud ainult selle elektrilise tööriistaga koos tarnitud patareide laadimiseks. Muidu tulekahju- ja plahvatusoht.

Hoidke laadija puhas. Saastumine võib tekitada elektrilöögi saamise ohu.

Enne igat kasutuskorda kontrollige laadijat, juhet ja pistikut. Kui mõnel osal esineb kahjustusi, ei tohi laadijat kasutada. Ärge kunagi avage laadijat iseseisvalt. Seadet tohib parandada ainult kvalifitseeritud tehnik.

Kahjustatud laadija, juhtmed ja pistikud suurendavad elektrilöögi saamise riski.

Ärge asetage laadijat kergesti süttivatele pindadele (paber, tekstiilid jne) või nende lähedusse. Laadimise ajal laadija kuumeneb ja on tuleohtlik.

Tuleb jälgida, et lapsed ei mängiks laadijaga.

VIBRATSIOONIANDMED

Vibratsioonitase

Vibratsioonitase, mis on märgitud selles kasutusjuhendis, on mõeldud kooskõlas standardis EN 60745 kirjeldatud testiga. Seda võib kasutada ühe tööriista võrdlemiseks teisega ja eelhindangu andmiseks vibratsiooniga kokkupuute taseme kohta tööriista kasutamisel juhendis mainitud viisil. Kuid kasutades tööriista muudeks rakendusteks või koos erinevate või halvasti hooldatud lisatarvikutega, võib vibratsioonitase oluliselt suurened.

Vibratsiooniga kokkupuutetaseme hindamisel peaks arvesse võtma ka aega, kui tööriist on välja lülitatud või kui see on sisse lülitatud, kuid tegelikult sellega ei töötata, kuna see võib oluliselt vähendada vibratsiooniga kokkupuute taset, kogu tööaega arvesse võttes.

Kaitse ennast vibratsiooni toime vastu, hooldades tööriista ja selle tarvikuid, hoides oma käed soojad ja organiseerides hästi oma töövõtteid.

KOKKUPANEMINE

Enne masina enda kallal tööde alustamist (nt hooldus, tööriistavahetus jne), samuti transpordi ja ladustamise ajal, seadke pöörlemissuuna lüliti keskmisse asendisse. Soovimatu seadme käivitumine võib põhjustada vigastusi.

AKU LAADIMINE

Lööktrelli laadimine

Kui laadija on ühendatud elektrivõrku, süttib lööktrellil punane tuluks. Tuluks süttib, kui aku laeb (13).

Normaalse lööktrelli kasutamise korral võite akut laadida sadu kordi.

TÄHELEPANU! Laadimise ajal aku kuumeneb.

MÄRKUS: Aku, mis tarnitakse koos lööktrelliga on laetud ainult testimise eesmärgil ja see tuleb täielikult laadida enne seadme esmakordset kasutamist.

Kõigepealt lugege ohutusnõudeid ja siis järgige laadimise juhendeid. Sisestage laadimise pistik (15) kruvikeeraja korpuse laadimispeassa (13). Siis ühendage laadija trafo standardse vooluvõrgu pistikupesasse.

Ärge laske juhtmel sõlme minna või järske paindeid tekkida.

See laadija trafo ja aku on spetsiaalselt ette nähtud koos kasutamiseks. **ÄRGE LAADIGE** selle laadijaga mitte kunagi teiste tootjate juhtmeta seadmeid või akusid. Aja jooksul aku tühjeneb, isegi kui tööriista ei kasutata.

Liitium-ioonaku on kaitstud täieliku tühjenemise eest "Electronic Cell Protection (ECP)" abil.

Kui seadme aku on tühi, lülitub seade automaatselt välja: ei pöörle enam.



HOIATUS! Ärge vajutage On/Off (sisse/välja) lülitit pärast seda, kui masin on automaatselt välja lülitunud. See võib akut kahjustada.



HOIATUS! Laadige akut tulekindlal pinnal. Ärge laadige akut rohkem kui kaheksa tundi.

Punase tule asemel süttib roheline, kui aku on täielikult laetud. Ühendage juhe lahti ning hoiustage trafo sobivas kohas, kui seda ei kasutata.

Aku laadimine temperatuuridel alla nulli ei ole soovitatav.

Kui soovite akut eemaldada, vajutage päästiklülitit (6), kuni aku on täiesti tühi. Keerake korpuse kruvid lahti ja võtke korpuse kest maha. Ühendage aku ühendused lahti ja eemaldage aku (vt joonis B).

KASUTUSJUHEND

Tööriista vahetamine

SDS plus tööriista hoidikuga on lihtne ja mugav puurimise tööriistade vahetamine, ilma täiendavaid vahendeid kasutamata. Tänu lihtsatele tööpõhimõtetele laseb SDS plus puuri vabalt liikuda. Selle tulemusena ei teki tööriista ülekoormust. Samuti ei mõjuta see puuritava augu täpsust puurimise ajal.

SDS tööriista hoidikule võib lisada erinevaid otsikuid kuusnurkse jalaga. Tolmukaitse (2) takistab tolmu sattumist puurimise ajal hoidikusse. Kui lisate tööriista, veenduge, et te ei kahjusta tolmukaitset (2).

SDS plus puurimise tööriista lisamine (vt joonis A)

Puhastage ja õlitage tööriista otsiku jalga.

Sisestage tööriist, keerates seda tööriistahoidikusse, kuni see kinnitub.

Kontrollige kinnitust, tõmmates tööriista.

SDS plus puurimistööriista eemaldamine (vt joonis A)



HOIATUS! Lisatarvikud võivad olla peale kasutamist kuumad. Vältige kontakti nahaga ja kasutage korralikke kaitsekindaid või eemaldage lapiga.

Lükake lukustusseade tagasi (3) ja eemaldage tööriist. Kõik tarvikud puhastage hoolikalt pärast eemaldamist.

Tolmu/tükikeste eemaldus

Pliid sisaldavad katted, mõned puiduliigid, mineraalid ja metallidest tuleb tolmu võib olla ohtlik inimese tervisele. Puudutades või sisse hingates võib see põhjustada allergilisi reaktsioone ja/või põhjustada hingamisteede kahjustusi kasutajale või kõrvalseisjatele.

Teatud puidu tolmu, nagu tamme või pöõgi tolmu, peetakse kantserogeenseks, eriti sooses puiduhooldusvahendiga (puidu säilitusaine). Asbesti sisaldavaid aineid tohivad töödelda ainult spetsialistid.

Kasutage tolmueemaldust kui vähegi võimalik.

Tagage hea ventilatsioon töökohal. Soovitatav on kanda P2 klassi filtriga respiraatorit.

Jälgige oma riigi regulatsioone materjalide kohta, millega töötate.

Tegevuse alustamine

Töörežiimi seadistamine

Valige lülitiga (4) lööktrelli/trelli töörežiim.

Märkus: muutke töörežiimi ainult siis, kui masin on välja lülitatud! Muidu võite masinat kahjustada.

Töörežiimi muutmiseks, keerake lülitit "lööktrell/trell " (4), vastavalt soovitud funktsioonile.



Asetage betooni või kivi lööktrelliga puurimise funktsioonile



Positioneerige puidu, metalli, keraamiliste ja plastmaterjalide puurimiseks, samuti kruvide keeramiseks.

Pöörlemissuuna vastupidiseks muutmise

Vajutage pöörlemissuuna muutmise lülitit (5) ainult siis, kui masin on välja lülitatud.

Lülitit (5) kasutatakse, kui soovite muuta seadme pöörlemissuunda. Seda ei ole võimalik sisse lülitada kui seadme On/Off (sisse/välja) lüliti (6) on aktiveeritud.

Paremale pöörlemine: puurimiseks ja kruvide kinnikeeramiseks, lüliti (5) keerake vasakule kuni lõpuni.

Vasakule pöörlemine: kruvide ja mutrite lõdvendamiseks ja lahti keeramiseks, keerake lüliti (5) paremale kuni lõpuni.

Sisse-ja väljalülitamine

Masina käivitamiseks vajutage On/Off (sisse/välja) lüliti (6) ja hoidke nuppu all.

Masina välja lülitamiseks laske lüliti On/Off nupp (6) lahti.

Madalatel temperatuuridel töötades saavutab lööktrell täisvõimsuse alles teatud aja pärast.

Märkus: Töö ajal võivad mootorikorpuse avadest sädemed näha olla. Sädemete teke on normaalne mootori kasutamise ajal, sädemed tekivad mootori sees olevate komponentide hõõrdumisel üksteise vastu. Elektrilise tööriista funktsiooni see ei mõjuta. Me ei soovita elektrilist tööriista kasutada kergestisüttivate vedelike, gaaside või tolmu lähedal, mis võivad sädemetega kokkupuutes süttida.

Kiirus/Võimsus

Kiiruse/võimsuse määrab see, kui tugevalt On/Off lülile (6) vajutasite, sellega saate reguleerida seadme kiirust.

Õrnalt vajutades On/Off lülile (6) on tulemuseks väike kiirus/võimsus. Täiendav surve lülil suurendab kiirust/võimsust.

Temperatuurist sõltuv ülekoormuse kaitse

Kui kasutate tööriista eesmärgipäraselt, seade ei kuumene üle.

Kui koormus on liiga suur või lubatud aku temperatuur 70° C on ületatud, siis

elektrooniline kontroll lülitab elektrilise tööriista välja, kuni seade on maha jahtunud optimaalsele temperatuurile.

Nõuanded töötamiseks

Pange tööriist kruvi/mutri külge ainult siis, kui seade on välja lülitatud.

Pöörlev tööriistaotsik võib ära libiseda.

HOOLDUS JA PUHASTAMINE

Enne seadme enda kallal töö alustamist (nt hooldus, tööriista vahetamine jne), samuti transpordi ja ladustamise ajal, seadke pöörlemissuuna lüliti keskele. Soovimatu seadme käivitamine võib põhjustada vigastusi.

Seadme ohutuks ja korralikuks toimimiseks hoidke seade ja selle tulutusavad puhtad.

JÄÄTMEKÄITLUSJUHISED

Aita kaitsta keskkonda

Informatsioon (kodumajapidamistele) keskkonnateadlikkuse tõstmiseks ja elektroonikaseadmete jäätmete kõrvaldamiseks kooskõlas WEEE (Waste Electrical and Electronic Equipment) direktiiviga.



See sümbol toodetel või saatedokumentidel näitab, et kasutatud ja kasutuselt kõrvaldatud elektri-ja elektroonikaseadmeid ei tohi visata olmeprügi hulka. Nõuetekohase kõrvaldamise, töötlemise, taaskasutamise ja ümbertöötlemise tagamiseks tuleb need tooted viia kogumispunkti, kus need tasuta vastu võetakse. Alternatiivina võib mõnes riigis tagastada oma tooted jaemüüjale,

samaväärse uue toote ostmisel. Õige kasutusest kõrvaldamine aitab säästa väärtuslikke ressursse ning vältida võimalikke negatiivseid mõjusid inimese tervisele ja keskkonnale, mis muidu võivad kaasneda jäätmete vale kõrvaldamise ja käitlemisega. Palun võtke ühendust oma kohaliku omavalitsusega, et saada infot lähima kogumispunkti kohta. Vale jäätmekäitluse puhul võidakse kohaldada karistusi.

Patareide jäätmekäitlus

Ärge visake patareisid tavalise olmeprügi hulka. Vastavalt seadustele, peab kahjustatud ja tühjad patareid viima spetsiaalsetesse kogumispunktidesse. Nende seaduste eiramine võib kaasa tuua trahvi või muu karistuse.

Teave jäätmekäitluse kohta väljaspool Euroopa Liitu.



See sümbol kehtib üksnes Euroopa Liidus. Palun võtke ühendust asjakohaste asutuste või jaemüüjatega teie riigis, et saada infot nõuetekohase jäätmekäitluse kohta.

FIXA perforators (litija-jonu, 14,4V)**TEHNISKĀ INFORMĀCIJA**

Spriegums: 14,4 V

Apgriezienu skaits: 0-900 apgriezieni minūtē

Triecienu skaits: 0-4800 triecieni minūtē

Trieciena enerģija: 1,0 J

Instrumenta turētājs: SDS-plus

Maks. urbuma Ø:

-betonā (ar spirālurbi): 10 mm

-tēraudā: 8 mm

-kokā: 10 mm

Akumulators: Litija-jonu

Akumulatora ietilpība: 1,5 Ah

Sūnu skaits akumulatorā: 4

Uzlādes ilgums: 5-7 stundas

Lādētāja spriegums: vietējais

Urbjpatrona: 10 mm, bezatslēgas,

ar ātrās nomainīgas sistēmu

Svars: 1,3 kg

Vibrācijas līmenis: (saskaņā ar EN 60745-

1, EN 60745-2-6):

<ah.D= 5.9 m/s², K= 1.5 m/s²

ah= 4,7 m/s², K= 1,5 m/s²

Troksnis (saskaņā ar EN 60745-1):

Skaņas spiediena līmenis L_{pa}= 86 dB

(A),

K_{pa}= 3 dB (A),

Skaņas jaudas līmenis L_{wa}= 97 dB (A),

K_{wa}= 3 dB (A)

DETAĻU SARAKSTS

Instrumenta detaļu numurējums atbilst numurējumam attēlā.

1. SDS-plus turētājs
2. Putekļu aizsargvāks
3. Turētāja spīzumava
4. Triecienurbšanas/urbšanas slēdzis
5. Atpakaļgaitas rotācijas slēdzis
6. Ieslēgšanas/izslēgšanas slēdzis
7. Ø 3mm urbis kokam, lietojams ar rezerves urbjpatronu (bez

triecienurbšanas)

8. Ø 5mm urbis kokam, lietojams ar rezerves urbjpatronu (bez triecienurbšanas)
9. Ø 5mm SDS urbis (ar triecienurbšanu)
10. Ø 6mm SDS urbis (ar triecienurbšanu)
11. Ø 8mm SDS urbis (ar triecienurbšanu)
12. Rokturis (ar izolētu noturvirsmu)
13. Ligzda lādētājam un gaismas diode
14. Rezerves urbjpatrona
15. Lādētāja spraudnis
16. Lādētāja transformators

PIELIETOJUMS

Preforators ir paredzēts triecienurbšanai betonā, ķieģeļos un akmenī. To var lietot arī, lai bez trieciena urbtu kokā, metālā, keramikā un plastmasā, izmantojot komplektā iekļauto rezerves urbjpatronu. Elektroinstrumenti ar elektronisko gaitas regulēšanu un griešanas virziena pārslēgšanu ir lietojami arī skrūvēšanai.

Akumulatora lādētāju drīkst lietot vienīgi tad, ja ir skaidri saprotamas visas tā funkcijas un lietošanas instrukcija.

VISPĀRĪGA DROŠĪBAS INSTRUKCIJA**Vispārīga elektroinstrumentu drošības instrukcija****BRĪDINĀJUMS!****Rūpīgi izlasiet visus drošības brīdinājumus un instrukcijas.**

Instrukciju neievērošana var izraisīt elektriskās strāvas triecienu, ugunsgrēku un/vai nopietnas traumas.

Saglabājiet visus brīdinājumus un instrukcijas turpmākai uzziņai.

Visos zemāk minētajos brīdinājumos lietotais termins „elektroinstrumentus” attiecas uz strāvu darbināmiem (vadu) elektroinstrumentiem vai ar akumulatoru darbināmiem (bezvadu) elektroinstrumentiem.

Darba zonas drošība

a. **Nodrošīniet, lai darba zona būtu tīra un labi apgaismota.** Nekārtīgās un tumšās vietās iespējami negadījumi.

b. **Nedarbiniet elektroinstrumentus sprādzienbīstamā vidē, piemēram, uzliesmojošu šķidrumu, gāzu vai putekļu klātbūtnē.** Elektroinstrumenti rada dzirksteles, kas var aizdedzināt putekļus vai izgarojumu tvaikus.

c. **Elektroinstrumenta darbināšanas laikā tā tuvumā nedrīkst atrasties bērni un citas nepiederošas personas.** Nevērības dēļ var zaudēt vadību pār ierīci.

Elektrodrošība

a. **Elektroinstrumenta kontaktspraudņiem ir jāatbilst kontaktligzdai. Nekādā veidā nepārveidojiet kontaktspraudni. Nelietojiet nekādus spraudsavienojumus kopā ar iezemētiem elektroinstrumentiem.**

Lietojot nepārveidotus kontaktspraudņus un atbilstošas kontaktligzdas, tiek samazināts elektriskās strāvas trieciena risks.

b. **Izvairieties no saskares ar iezemētām virsmām, piemēram, caurulēm, radiatoriem, plītiem un ledusskapjiem.** Elektriskās strāvas

trieciena risks palielinās, ja jūsu ķermenis ir iezemēts.

c. **Nepakļaujiet elektroinstrumentus lietus vai mitruma iedarbībai.** Ūdens iekļūšana elektroinstrumentos palielina elektriskās strāvas trieciena risku.

d. **Pareizi izmantojiet vadu. Nekad lietojiet vadu, lai elektroinstrumentu pārvietotu, vilktu vai izslēgtu. Neturiet vadu karstumā un eļļu, asmeņu vai kustīgu daļu tuvumā.** Bojāti vai sapinušies vadi palielina elektriskās strāvas trieciena risku.

e. **Darbinot elektroinstrumentu ārpus telpām, izmantojiet pagarinātāju, kas piemērots lietošanai ārpus telpām.** Izmantojot vadu, kas ir paredzēts lietošanai ārpus telpām, tiek samazināts elektriskās strāvas trieciena risks.

f. **Ja nevar izvairīties no elektroinstrumenta darbināšanas mitrās vietās, izmantojiet barošanu, kas aizsargāta ar noplūdes strāvas aizsardzības ierīcēm.** Noplūdes strāvas aizsardzības ierīču izmantošana samazina elektriskās strāvas trieciena risku.

Personiskā drošība

a. **Darbinot elektroinstrumentu, esiet piesardzīgs, sekojiet līdzi tam, ko darāt, un lietojiet veselo saprātu. Nelietojiet elektroinstrumentu, ja esat noguris vai atrodaties narkotisku vielu, alkohola vai medikamentu iedarbībā.** Mirklis neuzmanības elektroinstrumentu darbināšanas laikā var izraisīt smagus miesas bojājumus.

b. **Lietojiet personiskos aizsarglīdzekļus. Vienmēr izmantojiet acu aizsargus.** Aizsarglīdzekļi,

piemēram, pretputekļu maska, neslīdoši drošības apavi, ķivere vai dzirdes aizsargierīces, kas izmantoti atbilstošos apstākļos, pasargās no savainojumiem.

c. Pasargājiet ierīci no nejaušas iedarbināšanas Pirms ierīces pacelšanas, pārvietošanas vai pievienošanas strāvas avotam un/vai akumulatora blokam pārliecinieties, vai slēdzis ir izslēgtā stāvoklī.

Elektroinstrumentu pārvietošana, turot pirkstu uz slēdža, vai sprieguma padeve elektroinstrumentiem, kuriem ir ieslēgts slēdzis, var izraisīt negadījumus.

d. Pirms ieslēdzat elektroinstrumentu, noņemiet visas regulēšanas atslēgas vai uzgriežņatslēgas. Uzgriežņatslēga vai atslēga, kas atstāta piespīrināta pie elektroinstrumentu rotējošās daļas, var izraisīt miesas bojājumus.

e. Pārmērīgi neizstiepiet rokas. Vienmēr pareizi atbalstieties un noturiet līdzsvaru. Tādējādi nodrošināsiet efektīvāku elektroinstrumenta vadību neparedzētās situācijās.

f. Lietojiet piemērotu apērību. Nevelciet brīvu apērību vai rotaslietas. Nodrošiniet, lai mati, apērbs un cimdi nenonāktu kustīgo daļu tuvumā. Brīvs apērbs, rotaslietas un gari mati var ieķerties kustīgajās daļās.

g. Ja ierīces ir paredzēts pievienot putekļu nosūkšanas un savākšanas ierīcēm, nodrošiniet, lai tās tiktu pareizi pievienotas un izmantotas. Putekļu savācēju izmantošana var samazināt ar putekļiem saistīto kaitīgumu.

Elektroinstrumenta lietošana un apkope

a. Nesteidziniet elektroinstrumenta darbību. Izmantojiet darbam piemērotāko elektroinstrumentu. Pareizā elektroinstrumenta darbs būs efektīvāks un drošāks, strādājot tam paredzētajā ātrumā.

b. Nelietojiet elektroinstrumentu, ja nedarbojas tā slēdzis. Elektroinstruments, kuram nedarbojas slēdzis, ir bīstams, un tas ir jāremontē.

c. Pirms veicat kādus pielāgojumus, maināt piederumus vai novietojat elektroinstrumentu glabāšanā, atvienojiet kontaktspraudni no strāvas avota un/vai akumulatora bloku -no elektroinstrumenta. Šādi profilaktiski drošības pasākumi samazina elektroinstrumenta nejaušas iedarbināšanas risku.

d. Uzglabājiet elektroinstrumentus bērniem nepieejamās vietās un neļaujiet tos darbināt personām, kas nepārzina elektroinstrumenta darbību vai nav iepazinušās ar šiem norādījumiem. Elektroinstrumenti ir bīstami, ja ar tiem rīkojas neapmācīti lietotāji.

e. Veiciet elektroinstrumentu apkopi. Pārbaudiet kustīgo daļu savienojumus vai sastiprinājumus, detaļu bojājumus vai citus apstākļus, kas var ietekmēt elektroinstrumenta darbību. Ja konstatējat bojājumus, elektroinstruments pirms lietošanas ir jāsalabo. Daudzi negadījumi rodas nepareizas elektroinstrumentu apkopes dēļ.

f. **Griezējinstrumentiem vienmēr jābūt asiem un tīriem.** Pareizi apkopti griezējinstrumenti ar asiem asmeņiem retāk iesprūst un ir vieglāk vadāmi.

g. **Elektroinstrumentu, tā piederumus, griežņus un citas sastāvdaļas lietojiet saskaņā ar šiem norādījumiem, ņemot vērā darba apstākļus un veicamo darbu.** Elektroinstrumenta lietošana neparedzētiem mērķiem var izraisīt bīstamas situācijas.

h. **Turiet elektroinstrumentu tikai aiz izolētajām satveršanas virsmām, jo griezējasmens var saskarties ar paslēpto elektroinstalāciju vai savu strāvas kabeli.** Griezējasmēņu saskaršanās ar strāvas kabeli, var izraisīt elektroinstrumenta atklāto metāla daļu vadītspēju un radīt lietotājam elektriskās strāvas trieciena draudus.

Akumulatora instrumentu lietošana un opšana

a. **Uzlādējiet akumulatorus tikai lādēšanas ierīcēs, ko iesaka ražotājs.** Lādēšanas ierīcei, kas piemērota noteiktam akumulatoru veidam, pastāv ugunsgrēka risks, ja tā tiek lietota ar citu akumulatoru.

b. **Izmantojiet elektroinstrumentos tikai tiem speciāli paredzētus akumulatorus.** Citu akumulatoru lietošana var izraisīt traumu un ugunsgrēka risku.

c. **Kad akumulators netiek izmantots, glabājiet to drošā attālumā no tādiem metāla priekšmetiem kā saspraudes, monētas, atslēgas, naglas, skrūves un citiem nelieliem metāla priekšmetiem, kas var savienot abas spaiļes.** Īssavienojums var izraisīt apdegumus vai ugunsgrēku.

d. **Ja akumulators tiek lietots nepareizi, no tā var izplūst šķidrums. Izvairieties no kontakta ar to. Nejausa kontakta gadījumā skalojiet ar ūdeni. Ja šķidrums nonāk acīs, sazinieties ar ārstu.** Akumulatora šķidrums var izraisīt ādas iekaisumus vai apdegumus.

Apkope

a. **Elektroinstrumentu remontu drīkst veikt tikai kvalificēta persona, izmantojot vienīgi oriģinālas vai tām identiskas rezerves daļas.** Šādā veidā tiek nodrošināta elektroinstrumenta drošība.

DROŠĪBAS TEHNIKAS INSTRUKCIJA

Drošības brīdinājumi

Perforatora lietošanas laikā nepieciešams valkāt ausu aizsargus.

Troksnis var izraisīt dzirdes traucējumus vai zudumu.

Urbju un skrūvgriežu drošības brīdinājumi

Lai noskaidrotu, vai darba zonā neatrodas komunālo pakalpojumu līnijas, lietojiet piemērotu indikatoru vai sazinieties ar vietējo komunālo pakalpojumu uzņēmumu. Saskarsme ar elektrolīnijām var izraisīt ugunsgrēku vai elektriskās strāvas triecienu. Bojājumi gāzes vadā var izraisīt sprādzieni. Ūdensvada bojājumi var izraisīt ūdensa bojājumus vai elektriskās strāvas triecienu.

Ja elektroinstrumenti pēkšņi iestrēgst, nekavējoties to izslēdziet. Šādā gadījumā rodas ievērojams reaktīvais griezes moments, kas var izraisīt atsitieni. Instruments parasti iestrēgst šādos gadījumos:

- ja tas tiek pārslogots vai
- ja tas darbības laikā netiek turēts taisni.

Darba laikā stingri turiet elektroinstrumentu ar abām rokām un centieties ieturēt drošu stāju.

Elektroinstrumentu ir drošāk vadīt ar abām rokām.

Nofiksējiet zāgējamo materiālu. Ar skavām nofiksēts materiāls ir stabilāks par materiālu, kas tiek pieturēts ar rokām.

Darba zonai jābūt tīrai. Dažādu materiālu saskarsme var būt bīstama. Viegļmetālu sakausējumu putekļi var aizdegties vai uzsprāgt.

Pirms ierīces nolikšanas nost, pārliecinieties, ka tā ir pilnībā apstājusies. Pretējā gadījumā ierīcē var iestrēgt kāds priekšmets, un jūs varat zaudēt kontroli pār to.

Pirms jebkādu darbību veikšanas ar ierīci (piemēram, kopšanas, instrumentu nomaigas utt.), kā arī to transportējot vai uzglabājot, vienmēr pārliecinieties, ka atpakaļgaitas rotācijas slēdzis atrodas vidus pozīcijā. Netīša slēdža nospiešana var izraisīt traumas.

Sargājiet elektroinstrumentu no karstuma, piemēram, ilgstošas, tiešu saules staru iedarbības, uguns, kā arī ūdens un mitruma. Sprādziena risks.

Bojājumu vai nepareizas lietošanas rezultātā akumulators var izdalīt kaitīgus izgarojumus. Šādā gadījumā izvēdiniet telpu un, ja jūtaties slikti, griezieties pie ārsta. Izgarojumi var kairināt elpošanas orgānu sistēmu.

Akumulatoru lādētāju drošības brīdinājumi



Lietošanai tikai iekštelpās.



Aizsargāts ar dubultu izolāciju.

Sargājiet lādētāju no lietus un mitruma, lai samazinātu elektriskās strāvas trieciena risku.

Lādējiet vienīgi akumulatorus, kas iekļauti elektroinstrumenta komplektā. Nav paredzēts citu akumulatoru lādēšanai. Pretējā gadījumā pastāv ugunsgrēka un sprādziena risks.

Akumulatora lādētājam jābūt tīram. Liels netīrumu daudzums var izraisīt elektriskās strāvas triecieni.

Pirms katras lietošanas reizes pārbaudiet lādētāju, tā kabeli un kontaktdakšu. Bojājumu gadījumā to nedrīkst lietot. Nemēģiniet lādētāju atvērt. Tā remonts jāveic kvalificētam speciālistam. Bojāts lādētājs, tā vads un kontaktdakša paaugstina strāvas trieciena risku.

Nelietojiet lādētāju uz viegli uzliesmojošām virsmām (piemēram, papīra, audumiem utt.) vai to tuvumā. Lādētājs lietošanas laikā sakarst, paaugstinot ugunsgrēka risku.

Uzraugiet, lai bērni ar lādētāju nespēlētos.

INFORMĀCIJA PAR VIBRĀCIJU

Vibrācijas līmenis

Šajā pamācībā sniegtais vibrācijas līmenis ir izmērīts atbilstoši standartā EN 60745 noteiktajai procedūrai un var tikt lietots instrumentu salīdzināšanai. To var izmantot arī vibrācijas radītās papildu slodzes iepriekšējai novērtēšanai. Šeit sniegtais vibrācijas līmenis ir attiecināms uz elektroinstrumenta galvenajiem pielietojuma veidiem. Ja elektroinstrumenti tiek lietots netipiskiem mērķiem, kopā ar netipiskiem darbinstrumentiem vai nav vajadzīgajā veidā apkalpots, tā vibrācijas līmenis var atšķirties no šeit sniegtās vērtības. Tas var ievērojami palielināt vibrācijas radīto papildu slodzi zināmam darba laika posmam.

Lai precīzi izvērtētu vibrācijas radīto papildu slodzi zināmam darba laika posmam, jāņem vērā arī laiks, kad elektroinstrumenti ir izslēgti vai arī darbojas, taču reāli netiek izmantots paredzētā darba veikšanai. Tas var ievērojami samazināt vibrācijas radīto papildu slodzi zināmam darba laika posmam.

Veiciet papildu pasākumus, lai pasargātu strādājošo personu no vibrācijas kaitīgās iedarbības, piemēram, savlaicīgi veiciet elektroinstrumenta un darbinstrumentu apkalpošanu, novērsiet roku atdzišanu un pareizi plānojiet darbu.

MONTĀŽA

Pirms jebkādu darbību veikšanas ar ierīci (piemēram, kopšanas, instrumentu nomaigas utt.), kā arī to transportējot vai uzglabājot, vienmēr pārliecinieties, ka atpakalgaitas rotācijas slēdzis atrodas vidus pozīcijā. Netīša slēdža nospiešana var izraisīt

traumas.

AKUMULATORA LĀDĒŠANA

Perforatora lādēšana

Kad lādētājs ir pieslēgts strāvas padeves avotam, uz perforatora iedegas sarkana lampiņa. Lampiņa deg tik ilgi, kamēr akumulators tiek lādēts (13).

Normālos perforatora lietošanas apstākļos to iespējams uzlādēt vairākus simtus reižu.

UZMANĪBU! Lādēšanas laikā akumulators uzsilst. Uzmanību: Komplektā iekļautā perforatora akumulators ir tikai daļēji uzlādēts. Pirms pirmās lietošanas reizes to nepieciešams uzlādēt pilnībā.

Vispirms izlasiet drošības instrukciju un tad ielādes instrukciju.

Ievietojiet lādēšanas kontaktspraudni (15) perforatora ligzdā (13). Tad pieslēdziet lādētāja transformatoru pie strāvas padeves avota.

Pārliecinieties, ka kabelis nav samezģojies vai saliekts.

Lādētāja transformatoru un akumulatoru paredzēts lietot kopā.

NEKĀDĀ GADĪJUMĀ nelietojiet šo lādētāju, lai uzlādētu cita ražotāja akumulatorus vai instrumentus. Pat ja instruments netiek izmantots, akumulators ar laiku izlādējas.

Litija-jonu akumulatorā ir pielietota elektroniskā elementu aizsardzība (Electronic Cell Protection (ECP)), kas to pasargā no dziļās izlādes. Ja akumulators ir izlādējies, īpaša aizsardzības sistēma instrumentu izslēdz, un tas pārtrauc kustēties.



BRĪDINĀJUMS! Ja instruments ir automātiski izslēdzies, nespiediet ieslēgšanas/izslēgšanas slēdzi.

Tādējādi iespējams sabojāt akumulatoru.



BRĪDINĀJUMS! Akumulatora lādēšana jāveic uz neuzliesmojošas virsmas. Lādēšanu nedrīkst veikt ilgāk par 8 stundām. Kad akumulators būs pilnībā uzlādējies, sarkanā gaismīņa pārstās degt.

Atvienojiet vadu un uzglabājiet transformatoru tam piemērotā vietā, kad tas netiek izmantots.

Akumulatoru nav ieteicams lādēt temperatūrās, kas zemākas par 0°C.

Pirms akumulatora izņemšanas to nepieciešams pilnībā izlādēt, piespiežot slēdzi (6). Atskrūvējiet korpusa skrūves un noņemiet apvalku. Pirms akumulatora izņemšanas, atvienojiet visus tā savienojumus (skat. attēlu B).

LIETOŠANAS INSTRUKCIJA

Darbinstrumenta maiga

SDS-plus turētājs ļauj vienkārši un ērti nomainīt darbinstrumentu bez nepieciešamības izmantot palīgrikus. SDS-plus stiprinājuma sistēmai piemīt īpatnība, ka turētājā iestiprinātais darbinstruments brīvi kustas. Tāpēc, instrumentam darbojoties tukšgaitā, darbinstruktants rotē ar zināmu radiālu ekscentritāti. Taču tas neietekmē urbuma precizitāti, jo urbšanas laikā darbinstruments automātiski centrējas.

SDS turētājā var ievietot arī dažādus urbja uzgaļus ar seškanšu turētāju. Putekļu aizsargvāks (2) novērš urbšanas procesā

radušos putekļu iekļūšanu turētājā. Iestiprinot darbinstrumentu, sekojiet, lai putekļu aizsargvāks (2) netiktu bojāts.

SDS-plus darbinstrumentu iestiprināšana (skat. attēlu A)

Pirms iestiprināšanas notīriet darbinstrumentu un ieeļļojiet tā iespīrināmo daļu ar nelielu daudzumu smērvielas.

Nedaudz pagrozot, ievirziet darbinstrumenta kātu urbpatronas turētājpatverē, līdz tas automātiski nofiksējas.

Pārbaudiet fiksāciju, nedaudz pavelkot aiz darbinstrumenta.

SDS-plus darbinstrumenta izņemšana (skat. attēlu A)



BRĪDINĀJUMS! Pēc lietošanas piederumi var būt karsti. Izvairieties no saskarsmes ar ādu un izņemšanai izmantojiet aizsargcimdus vai lupatu.

Pavirziet turētāja spīļuzmavu (3) instrumenta korpusa virzienā un izvelciet darbinstrumentu no turētāja. Visi piederumi pēc lietošanas jānotīra.

Putekļu/skaidu izvade

Putekļi no materiāliem ar svina pārklājumu, dažu veidu kokmateriāliem, minerāliem un metāla ir bīstami veselībai. Pieskaršanās putekļiem vai to ieelpošana var izraisīt alerģisku reakciju un/vai elpceļu saslimšanas gan instrumenta lietotājam, gan blakus esošajām personām. Piemēram, ozola un dižskabārža putekļi, tiek uzskatīti par kancerogēniem – īpaši saskarē ar vielām, ko izmanto koksnes apstrādē

(hromātiem, konservantiem). Ar azbestu saturošiem materiāliem drīkst strādāt tikai speciālisti.

Kad vien iespējams, izmantojiet atputekļotāju.

Darba telpās nodrošiniet labu gaisa apmaiņu.

Ieteicams lietot P2 klases respiratoru.

Ievērojiet savā valstī spēkā esošos noteikumus attiecībā uz materiāliem, ar kuriem drīkst strādāt.

UZSĀKOT LIETOŠANU

Darba režīma izvēle

Lai izvēlētos elektroinstrumenta darba režīmu, nospiediet triecienurbšanas/urbšanas slēdzi (4).

Piezīme. Pārslēdziet elektroinstrumenta darba režīmu tikai tad, kad tas ir izslēgts! Pretējā gadījumā elektroinstrumenta var tikt bojāts.

Lai mainītu darba režīmu, nofiksējiet triecienurbšanas/urbšanas slēdzi (4) vēlamajā stāvoklī.



Pārslēdzēja stāvoklis, lai veiktu triecienurbšanu betonā vai akmenī



Pārslēdzēja stāvoklis, lai veiktu urbšanu kokā, metālā, keramikā un plastmasā bez trieciena, kā arī, lai skrūvētu

Griešanās virziena maiņa

Pārvietojiet atpakaļgaitas rotācijas slēdzi (5) tikai tad, kad elektroinstrumenta nedarbojas.

Atpakaļgaitas rotācijas slēdzi (5) izmanto, lai mainītu elektroinstrumenta griešanās virzienu. To nav iespējams izdarīt tad, kad ir ieslēgts ieslēgšanas/izslēgšanas slēdzis (6).

Rotācijas virziens pa labi: Urbšanai un skrūvēšanai, pārvietojiet atpakaļgaitas rotācijas slēdzi (5) pa kreisi līdz galam.

Rotācijas virziens pa kreisi: Skrūvju un uzgriežņu atskrūvēšanai, pārvietojiet atpakaļgaitas rotācijas slēdzi (5) pa labi līdz galam.

Ieslēgšana un izslēgšana

Lai ieslēgtu elektroinstrumentu, turiet nospiestu ieslēgšanas/izslēgšanas slēdzi (6).

Lai izslēgtu elektroinstrumentu, atlaidiet ieslēgšanas/izslēgšanas slēdzi (6).

Zemā lietošanas temperatūrā, elektroinstrumenta pilnu jaudu sasniedz tikai pēc zināma laika.

Uzmanību: Lietojot ierīci, cauri tās motora korpusa atverēm var būt redzamas dzirksteles. Dzirzsteles ir normāla parādība, kas rodas motora esošo detaļu savstarpējas berzes rezultātā. Tas neietekmē ierīces normālu darbību. Tomēr ierīci nav ieteicams izmantot viegli uzliesmojošu šķidrumu, gāzu vai putekļu tuvumā, kur dzirksteles var izraisīt uguni.

Griešanās ātruma/triecienu biežuma regulēšana

Ieslēgta elektroinstrumenta griešanās ātruma/triecienu

biežumu var regulēt, spiežot ieslēgšanas/izslēgšanas slēdzi (6).

Ja spiedīsiet ieslēgšanas/izslēgšanas slēdzi (6) maigi, tad griešanās ātrums/triecienu biežums būs mazāks. Palielinot spiedienu uz slēdzi, pieaug arī griešanās ātrums/triecienu biežums.

Drošība pret pārslodzi

Lietojot elektroinstrumentu, kā paredzēts, to nav iespējams pārslodot. Kad slodze ir pārāk augsta un akumulatora temperatūra pārsniedz 70°C, elektroinstrumenti automātiski izslēdzas līdz brīdim, kad temperatūra nokrītas līdz atļautajam rādītājam.

Padomi darbam

Novietojiet darbinstrumentu pret uzgriezni vai skrūvi tikai tad, kad elektroinstrumenti ir izslēgti. Rotējošs darbinstruments var noslīdēt no skrūves galvas.

KOPŠANA UN TĪRĪŠANA

Pirms jebkādu darbību veikšanas ar ierīci (piemēram, kopšanas, instrumentu nomaigņas utt.), kā arī to transportējot vai uzglabājot, vienmēr pārliecinieties, ka atpakaļgaitas rotācijas slēdzis atrodas vidus pozīcijā.

Netīša slēdža nospiešana var izraisīt traumas.

Pareizai un drošai ierīces lietošanai vienmēr pārliecinieties, ka ventilācijas atveres ir tīras.

UTILIZĀCIJAS INSTRUKCIJA

Vides aizsardzība

Informācija (mājsaimniecībām) par videi drošu elektrisko un elektronisko ierīču utilizāciju saskaņā ar direktīvu

par elektrisko un elektronisko iekārtu atkritumiem.



Elektrisko un elektronisko preču simbols un dokumentācija norāda, ka šo precu nedrīkst izmest kopā ar parastiem sadzīves atkritumiem. Prece jānogādā savākšanas punktā, kur to bez maksas pieņems, utilizēs, atkārtoti lietos vai pārstrādās. Dažās valstīs preces var atgriezt to iegādes punktā. Šīs preces atbilstošā utilizācija palīdz saglabāt vērtīgus dabīgos resursus un samazina negatīvo ietekmi uz veselību un vidi. Sazinieties ar vietējo pašvaldību, lai noskaidrotu, kur ir jums tuvākais elektrisko un elektronisko atkritumu pieņemšanas punkts. Šāda veida preču nepareiza utilizācija var tikt sodāma atbilstoši likumam.

Bateriju utilizācija

Baterijas nedrīkst izmest ūdenī, ugunī vai kopā ar parastiem sadzīves atkritumiem. Saskaņā ar likumu, baterijas jānodod bateriju/akumulatoru pieņemšanas punktā. Nepareiza utilizācija var tikt sodāma atbilstoši likumam.

Utilizācijas informācija patērētājiem ārpus ES



Šis simbols ir spēkā esošs vienīgi Eiropas Savienībā. Sazinieties ar atbildīgajām valsts iestādēm, lai iegūtu informāciju par piemērotāko preces utilizācijas veidu.

Perforatorius FIXA (li-ion 14,4V)**TECHNINĖS SPECIFIKACIJOS**

Įtampa: 14,4 V

Sukimo greitis: 0-900 rpm

Smūgio jėga: 0-4800 bpm

Smūgio energija: 1,0 J

Antgalių laikiklis: SDS plus

Maks. gręžimo skersm.:

-betonas (spiraliniu grąžtu) 10 mm (3/8")

-plienas 8 mm (5/16")

-mediena 10 mm (3/8")

Akumuliatorius: Ličio jonų akumuliatorius

Galía: 1,5 Ah

Baterijų skaičius: 4

Įkrovimo laikas: 5-7 h

Įkroviklis: Vietos tinklo įtampa

Atskiras griebtuvas: 10 mm (3/8"), be

rakto, greitai fiksuojantis

greitai atsukamas

Svoris: 1,3 kg

Vibracijos lygis:

(pagal EN 60745-1, EN 60745-2-6):

$a_{n,D} = 5,9 \text{ m/s}^2$, $K = 1,5 \text{ m/s}^2$

$a_n = 4,7 \text{ m/s}^2$, $K = 1,5 \text{ m/s}^2$

Triukšmas (pagal EN 60745-1)

Garso slėgio lygis, $L_{pa} = 86 \text{ dB (A)}$,

$K_{pa} = 3 \text{ dB (A)}$

Garso galios lygis, $L_{wa} = 97 \text{ dB (A)}$,

$K_{wa} = 3 \text{ dB (A)}$

APRAŠYMAS

Įrankio dalys pažymėtos tuo pačiu numeriu, kaip ir perforatoriaus paveikslėlyje.

1. Antgalių laikiklis SDS plus
2. Apsauginis dangtelis
3. Fiksuojanti mova
4. Smūginio gręžimo/ gręžimo jungiklis
5. Sukimo krypties keitimo jungiklis
6. Įjungimo/išjungimo jungiklis
7. Ø 3mm (1/8") medienos grąžtas, skir-

tas naudoti su keičiamu griebtuvu (ne smūginis gręžimas)

8. Ø 5mm (3/16") medienos grąžtas, skirtas naudoti su keičiamu griebtuvu (ne smūginis gręžimas)
9. Ø 5mm (3/16") SDS grąžtas (smūginis gręžimas)
10. Ø 6mm (1/4") SDS grąžtas (smūginis gręžimas)
11. Ø 8mm (5/16") SDS grąžtas (smūginis gręžimas)
12. Rankena (izoliuotas paviršius)
13. Įkroviklio lizdas ir šviesos diodas
14. Keičiamas griebtuvas
15. Įkroviklio jungtis
16. Įkroviklio transformatorius

NAUDOJIMO PASKIRTIS

Smūginio grąžtu galima gręžti betoną, mūrą ir akmenį, taip pat galima gręžti medieną, metalą, keramiką ir plastiką be smūgio jėgos, naudojant pridėdamą griebtuvą. Įrankius su elektroniniu valdymu ir keičiama kryptimi kairėn/dešinėn taip galima naudoti varžtams sukti.

Įkroviklį naudokite tik išsamiai susipažinę su jo funkcijomis arba pasitarę su specialistais.

SPECIALŪS SAUGOS NURODYMAI**Bendros elektrinių įrankių saugos instrukcijos**

ĮSPĖJIMAS!



Perskaitykite visus įspėjimus ir instrukcijas. Nesilaikant šių įspėjimų ir nurodymų, galima sukelti elektros šoką,

gaisrą ir/ar susižaloti.

Saugokite šias instrukcijas.

Sąvoka „elektrinis įrankis“ naudojama visuose įspėjimuose reiškia elektrinius įrankius maitinamus iš elektros tinklo (su laidu) ar akumuliatorinius (belaidžius) įrankius.

Darbo vieta

a. **Darbo vieta turi būti švari ir tinkamai apšviesta.** Daugiau nelaimingų atsitikimų įvyksta netvarkingose ir tamsiose darbo vietose.

b. **Draudžiama naudoti elektrinius įrankius potencialiai sprogioje aplinkoje, pavyzdžiui, šalia degių skysčių, dujų ar dulkių.** Kibirkštys atsirandančios naudojant elektrinius įrankius gali sukelti gaisrą.

c. **Dirbant su elektriniu įrankiu, vaikai ir pašaliniai asmenys turi būti kuo toliau nuo darbo vietos.** Jie gali blaškyti.

Elektros sauga

a. **Elektrinio įrankio kištukas turi sutapti su lizdu. Draudžiama bet koku būdu keisti kištuką ir naudoti adapterius, kuriais įžeminami elektros įrankiai.** Naudodami nepakeistus kištukus ir atitinkamus lizdus sumažinsite elektros šoko galimybę.

b. **Venkite kūno sąlyčio su įžemintais paviršiais, pavyzdžiui, vamzdynais, radiatoriais, viryklėmis ir šaldytuvais.** Jei kūnas įžemintas, didėja elektros šoko rizika.

c. **Saugokite elektrinius įrankius nuo lietaus ir drėgmės.** Vanduo patekęs į elektrinį įrankį gali sukelti elektros šoką.

d. **Nepažeiskite laido. Neneškite įrankio, netraukite jo iš lizdo paėmę už laido. Saugokite laidą nuo karščio, tepalų, aštrių kraštų ar judančių mechanizmų.** Elektros šoko rizika didėja, jei laidas pažeistas ar supainiotas.

e. **Naudodami elektrinį įrankį lauke, junkite prie tinkamo naudoti lauke prailgintuvo.** Šitaip apsisaugosite nuo elektros šoko.

f. **Jei būtina naudoti elektrinį įrankį drėgnoje aplinkoje, naudokite įrankį su likutinės srovės grandinės pertraukikliu (RCD).** Tokiu būdu sumažinsite elektros šoko riziką.

Asmeninė sauga

a. **Dirbdami su elektriniu įrankiu, būkite dėmesingi ir racionalūs. Nereikėtų naudoti įrankio, kai esate pavargę. Draudžiama juo dirbti apsvaigus nuo vaistų ar alkoholio.** Bet koks nedėmesingumas naudojant įrankį gali baigtis sužalojimais.

b. **Naudokite asmenines apsaugos priemones. Dėvėkite apsauginius akinius.** Nuo sužalojimų apsaugos kvėpavimo takų apsauginės priemonės, avalynė neslystančiais padais, šalmas ir ausinės ar ausų kištukai.

c. **Saugokite, kad įrankis neįsijungtų netikėtai: prieš jungiant į lizdą/ baterijos bloką, keliant ar nešant įrankį jungiklis turi būti OFF padėtyje.** Pavojinga nešti įrankį laikant pirštą ant jungiklio ar jungti kištuką į lizdą, kai jungiklis padėtyje ON.

d. **Prieš įjungdami elektrinį įrankį,**

nuimkite raktus ar veržliarakčius.

Galima susižaloti, jei jie bus palikti prie sukamųjų įrankio dalių.

e. Nepersisverkite. Stovėkite patogiai, tvirtai ir laikykite pusiausvyrą. Šitaip valdysite įrankį ir išvengsite netikėtumų.

f. Dėvėkite tinkamus drabužius. Jie neturi būti laisvi. Nusiimkite visus papuošalus. Saugokite, kad plaukai, drabužiai ir pirštinės nepatektų į judančias detales. Laisvi rūbai, papuošalai ar ilgi palaidi plaukai gali lengvai pakliūti tarp besisukančių dalių.

g. Jei įrankiai sujungiami su dulkių ištraukimo ir surinkimo prietaisais, patikrinkite, ar jie tinkamai prijungti ir naudojami. Naudojant tokius prietaisus mažėja dulkių sukeliama nelaimingų atsitikimų rizika.

Elektrinio įrankio naudojimas ir priežiūra

a. Nespirtinkite elektrinio įrankio, nenaudokite jėgos. Naudokite įrankius pagal paskirtį. Bet kokį darbą su tinkamu pagal numatytą paskirtį įrankiu atliksite lengviau, saugiau ir kokybiškiau.

b. Nenaudokite įrankio, jei neveikia jungiklis. Pavojinga dirbti su tokiu įrankiu, sutaisykite jį.

c. Prieš reguliuodami, keisdami priedus ar palikdami įrankį ilgiam laikui, ištraukite kištuką iš maitinimo lizdo ir/ar baterijos bloko. Taip elektrinis įrankis neįsijungs netikėtai.

d. Elektrinius įrankius saugokite nuo vaikų ir neleiskite jais naudotis asmenims, nemokantiems juo naudotis ar nesusipažinusiems su naudojimo ir

saugos instrukcijomis. Tai pavojinga.

e. Tinkamai prižiūrėkite įrankius. Tikrinkite visas judančias dalis, ar jos neatsilaisvino, nesulankstytos, nesulūžę ir pan. Jei detalės nėra tinkamos būklės, įrankį sutaisykite.

Daug nelaimingų atsitikimų įvyksta naudojant netvarkingus įrankius.

f. Pjovimo įrankiai turi būti pagalšti ir švarūs. Tinkamai prižiūrimais pjovimo įrankiais su aštriomis geležtėmis dirbti lengviau ir jie rečiau susilanksto.

g. Naudokite elektrinius įrankius, priedus, antgalius ir t.t. pagal naudojimo instrukcijas ir jų paskirtį, atsižvelgiant į darbo sąlygas bei atliekamą darbą. Pavojinga naudoti įrankius ne pagal jų numatytą paskirtį.

h. Atliekant darbus, kada instrumentai gali pasiekti paslėptas instaliacijas ar savo paties laidą, laikykite už izoliuotų paviršių. Instrumentui susilietus su laidu, kuriuo teka įtampa, ji gali pereiti per elektrinį įrankį ir sukelti dirbančiajam elektros šoką.

Akumuliatorinio įrankio naudojimas ir priežiūra

a. Įkraukite tik gamintojo nurodytu įkrovikliu. Naudojant kito akumuliatoriaus įkroviklį galima sukelti gaisrą.

b. Įrankius naudokite tik su jam skirtu baterijų bloku. Naudojant kito įrankio bloką galima sukelti gaisrą.

c. Kai baterijos nenaudojamos, jas reikia laikyti atokiai nuo kitų metalinių daiktų, pavyzdžiui, sąvaržėlių, monetų, raktų, vinių, varžtų ar kitų mažų metalinių daiktų, kurie galėtų sujungti

gnybtus. Įvykus trumpam jungimui, galima nudegti ar sukelti gaisrą.

d. Netinkamai naudojant, iš akumulatoriaus gali išsiliėti skystis; venkite sąlyčio su juo. Jei patenka ant odos, plaukite vandeniu. Jei patenka į akis, kreipkitės į gydytoją. Iš akumulatoriaus/ baterijų išsiliėjęs skystis gali dirginti ir nudeginti.

Aptarnavimas

a. Elektrinius įrankius turi taisyti kvalifikuotas specialistas, naudojantis tik originalias atsargines detales.

Tokiu būdu įrankis bus tinkamai prižiūrimas ir naudojamas.

SPECIALŪS SAUGOS NURODYMAI

Gražto naudojimo saugos nurodymai

Dirbdami su perforatoriumi, naudokite ausų apsaugines priemones. Triukšmas gali pakenkti jūsų klausai.

Naudokite tinkamus paslėptų darbo vietoje elektros laidų ir pan., jei tokių yra, paieškos prietaisus arba kreipkitės į vietos komunalinių paslaugų tiekėjus. Užkliudžius ar pažeidus elektros laidus, galima sukelti gaisrą ir elektros šoką. Pažeidus dujų vamzdynus, galima sukelti sprogamą, o sugadinus vandentiekio linijas, galima užlieti vandeniu ir sugadinti turtą arba sukelti elektros šoką.

Jei užstringa įrankio įdėklas, nedelsiant išjunkite įrankį. Saugokitės didelio reakcinio sukimo momento, kuris gali sukelti atatraką. Įrankio įdėklas užstringa dėl:

- elektrinio įrankio perkrovos arba kliūčių dirbinyje.

Dirbdami su elektriniu įrankiu, visada jį stipriai laikykite abejomis rankomis, stovėkite patogiai ir tvirtai. Saugiau laikyti įrankį abejomis rankomis.

Suspaskite dirbinį spaustuvais. Taip saugiau, nei laikyti jį rankomis.

Dirbinyje turi būti švarus. Susidare medžiagų mišiniai yra ypač pavojingi. Lengvų lydinių dulksės gali užsidegti ir sprogti.

Prieš padėdami įrankį į šalį, palaukite, kol jis visiškai sustos. Įrankio įdėklas gali užstrigti ir įrankį bus sunku suvaldyti.

Prieš pradėdami įrankio remonto ar priežiūros darbus, taip pat gabenant bei saugant jį, nustatykite sukimo krypties jungiklį ties centru. Atsitiktinai įjungus įjungimo/išjungimo jungiklį galima susižeisti.

Saugokite įrankį nuo karščio, pavyzdžiui, nepalikite jo ilgai saulės spinduliuose, arti ugnies ar pan., nuo vandens ir drėgmės. Gali sprogti.

Jei akumulatorius pažeistas ir netinkamai naudojamas, gali pasirodyti dūmai. Įkvėpus, išeikite į gryną orą ir kreipkitės į gydytoją, jei vis tiek sunku kvėpuoti. Dūmai gali dirginti kvėpavimo takus.

Įkroviklių naudojimo saugos nurodymai



Skirta naudoti tik patalpoje.



Dviguba izoliacija.

Saugoti įkroviklį nuo vandens ir drėgmės. Vanduo patekęs į elektrinį įrankį gali sukelti elektros šoką.

Nekraukite kitų akumuliatorių. Įkroviklis skirtas tik įkrauti prie elektrinio įrankio pridedamą akumuliatorių. Nesilaikant šio reikalavimo, galima sukelti gaisrą ir sproginimą.

Įkroviklis turi būti švarus. Nešvarumai gali tapti elektros šoko priežastimi.

Prieš naudojimą, kiekvieną kartą patikrinkite įkroviklį, jo laidą ir kištuką. Jei randate bet kokių pažeidimų, įkroviklio nenaudokite. Nemėgin- kite ardyti įkroviklio. Visus remonto darbus turi atlikti tik kvalifikuotas specialistas. Elektros šoko rizika padidėja, naudojant netinkamos būklės įkroviklius, pažeistais laidais ar kištukais.

Nenaudokite įkroviklio ant degių paviršių (pvz., popieriaus, tekstilės ir pan.) ar degioje aplinkoje. Krovimo metu įkroviklis įkaista, todėl tokioje aplinkoje gali kilti gaisras.

Draudžiama vaikams žaisti su įkrovi- kliu.

INFORMACIJA APIE VIBRACIJĄ

Vibracijos lygis

Vibracijos sklaidos lygis nurodytas šiose instrukcijose matuojamas pagal EN 60745 standartizuotus bandymus. Matavimų rezultatus galima panaudoti lyginant vieną įrankį su kitu ir vertinant vibracijos poveikį, kai įrankis naudojamas pagal paskirtį. Vibracijos poveikis gali būti didesnis, jei

įrankis naudojamas ne pagal paskirtį, su kitais ar netvarkingais priedais.

Vertinant vibracijos poveikį taip pat reikia atsižvelgti į tai, kiek kartų įrankis išjungia- mas ar veikia tuščiai, kadangi tai gali gerokai sumažinti vibracijos poveikį apskaičiuojamą per visą darbo laiką.

Nuo vibracijos poveikio galite apsisaugoti tinkamai prižiūrėdami įrankius ir jų priedus, darbo vietą bei pasirūpindami, kad rankos visada būtų šiltos.

SURINKIMAS

Prieš pradėdami įrankio remonto ar priežiūros darbus, taip pat gabenant bei saugant jį, nustatykite sukimo krypties jungiklį ties centru. Atsitiktinai įjungus jungiklį-gaiduką galima susižeisti. **Akumulatoriaus įkrovimas**

Perforatoriaus įkrovimas

Kai įkroviklis prijungtas prie elektros energijos tinklo, užsidega raudonas indikatorius. Jis šviečia įkraunant akumu- liatorių (13).

Įprastai naudojant įrankį galima įkrauti kelis šimtus kartų.

DĖMESIO! Įkraunant akumuliatorius įkaista.

Pastaba: Perforatoriaus akumuliatorius įkrautas tik iš dalies, todėl prieš naudojant jį reikia visiškai įkrauti.

Pirmausia, perskaitykite saugos instrukci- jas ir įkraukite pagal nurodymus. Įkiškite įkroviklio kištuką (15) į perforatoriaus lizdą (13). Tada įjunkite įkroviklio transformato- rių į maitinimo lizdą.

Laidas turi būti tiesus, nesusisukęs ir

neperlenktas.

Šis įkroviklio transformatorius skirtas būtent šiam akumuliatoriui.

NIEKADA nenaudokite šio įkroviklio įkrauti kitų gamintojų belaidžius įrankius ar akumulatorius. Akumulatorius po kurio laiko išseks, net nenaudojant įrankio.

Elektroninė elementų apsauga (ECP) apsaugo ličio jonų akumuliatorių nuo visiško iškrovimo. Kai akumulatorius tuščias, įrankį išjungia apsauginė grandinė: įstatytas antgalis nustoja sukstis.



ĮSPĖJIMAS! Nespauskite įjungimo/išjungimo mygtuko, jei įrankis automatiškai išsijungė. Galite sugadinti akumuliatorių.



ĮSPĖJIMAS! Palikite akumuliatorių krautis ant nedegaus paviršiaus, ir neilgiau kaip aštuonias valandas. Raudonas indikatorius švies žalia spalva, kai akumulatorius bus visiškai įkrautas.

Ištraukite transformatorių iš maitinimo lizdo, kai jis nenaudojamas, ir laikykite tinkamoje vietoje.

Nereikėtų krauti akumulatoriaus, kai temperatūra nukrenta žemiau nulio.

Išimdami akumuliatorių, spauskite jungiklį-gaiduką (5), kol akumulatorius visiškai išsikraus. Atskukite korpuso varžtus ir išimkite jį. Atjunkite akumulatoriaus jungtis ir išimkite akumuliatorių (žr. A pav.).

NAUDOJIMO INSTRUKCIJOS

Antgalio keitimas

Antgalio laikiklis SDS plus suteikia galimybę paprastai ir patogiai pakeisti gręžimo antgalius nenaudojant papildomų įrankių. Pagal savo veikimo principą SDS plus grąžtai laisvai juda, todėl dirbant tuščiaja eiga galimas radialinis nuokrypis. Tačiau tai neįtakoja gręžimo tikslumo, nes grąžtas pats centruojasi gręžimo metu. Antgalių laikiklyje SDS taip pat telpa įvairių tipų grąžtai su šešiakampiu kotu. Apsauginis dangtelis (2) apsaugo antgalių laikiklį nuo gręžimo metu susidarančių dulkių. Įstatydami antgalį patikrinkite, ar apsauginis dangtelis (2) nepažeistas.

Kaip įstatyti SDS plus grąžtus (žr. A pav.)

Nuvalykite grąžto kotą ir šiek tiek sutepkite jį alyva.

Įdėkite grąžtą į laikiklį pasukdami, kol tvirtai įsistatys.

Patikrinkite, ar grąžtas tvirtai laikosi jį patraukdami.

Kaip išimti SDS plus grąžtus (žr. A pav.)

ĮSPĖJIMAS! Naudojami priedai gali įkaisti, todėl nelieskite jų plikomis rankomis ir naudokite tinkamas pirštines ar audinio skiautę.

Truktelėkite atgal fiksuojančią movą (3) ir išimkite antgalį. Po naudojimo visus priedus būtina išvalyti.

Dulkių/drožlių siurbimas

Tam tikrų medžiagų, pavyzdžiui, švino savo sudėtyje turinčių dangų, kai kurių medienos tipų, mineralų ir metalo, dulks gali pakenkti jūsų sveikatai. Liečiant ar įkvėpus tokių dulkių, jos gali sukelti alergines reakcijas ir/ar kvėpavimo takų infekcijas tiek naudojančiam įrankius, tiek aplinki-

niams.

Kai kurios dulkės, pavyzdžiui, ažuolo ar buko, laikomos kancerogeninėmis, ypač kartu su medienos apdorojimo priedais (chromatu, medienos konservantu). Su medžiagomis, kurių sudėtyje yra asbesto, gali dirbti tik specialistai.

-Užtikrinkite tinkamą vėdinimą darbo vietose.

-Rekomenduojame dėvėti P2 filtro klasės respiratorius.

Laikykitės darbo su atitinkamomis medžiagomis taisyklių ir nustatytų reikalavimų.

Darbo pradžia

Darbinio režimo nustatymas

Įrankio darbinis režimas pasirenkamas nustatant smūginio gręžimo/ gręžimo jungiklį (4).

Pastaba: Darbinį režimą keiskite tik išjungę įrankį! Kitaip jį sugadinsite. Norėdami pakeisti darbinį režimą, pasukite smūginio gręžimo/ gręžimo jungiklį (4) į norimą padėtį.



Smūginio gręžimo padėtis naudojama gręžiant betoną ar akmenį



Gręžimo padėtis naudojama gręžiant

medieną, metalą, keramiką ir plastiką, taip pat naudojant įrankį kaip suktuvą

Sukimo krypties keitimas

Sukimo krypties keitimo jungiklį (5) naudokite tik įrankiui nustojus sukintis. Sukimo krypties keitimo jungiklis (5) skirtas keisti įrankio sukimo kryptį, tačiau to negalima padaryti, kai įjungtas jungiklis (6).

Sukimo kryptis dešinėn: Gręždami ar sukdami varžtus, stumtelėkite sukimo krypties keitimo jungiklį (5) kairėn iki pat galo.

Sukimo kryptis kairėn: Sukdami ir išsukdami varžtus ir veržles, stumtelėkite sukimo krypties keitimo jungiklį (5) dešinėn iki pat galo.

Kaip įjungti ir išjungti

Norėdami įjungti įrankį, spauskite įjungimo/išjungimo jungiklį (6) ir laikykite jį nuspaužę.

Norėdami išjungti, atleiskite įjungimo/išjungimo jungiklį (6).

Dirbant žemoje temperatūroje, elektrinio įrankio smūgio galia pasiekama tik po kurio laiko.

Pastaba: kai įrankis įjungtas, pro variklio korpuso angas gali būti matomos kibirkštys. Tai normalu, nes jos kyla nuo variklio dalių trinties, ir niekaip neveikia tinkamo įrankio darbo. Vis dėlto rekomenduojame nenaudoti įrankio arti degių skysčių, dujų ar susikaupusių dulkių, nes kibirkštys gali sukelti gaisrą.

Greičio/smūgio jėgos nustatymas

Įjungto įrankio greitį/smūgio jėgą galima keisti atitinkamai spaudžiant įjungimo/išjungimo jungiklį (6).

Jei jungiklį (6) spausite nestipriai, gręšite nedideliu greičiu/smūgio jėga. Kuo stipriau spausite, tuo didesnis bus greitis ir smūgio jėga.

Apsauga nuo perkrovos

Naudojant pagal paskirtį ir instrukcijas, įrankis apsaugotas nuo perkrovų, tačiau jei apkrovos per didelės arba viršijama leistina 70 °C akumuliatoriaus temperatūra elektroninis saugiklis išjungia įrankį. Jį galima vėl įjungti tik vėl pasiekus optimalią temperatūrą.

Naudingi patarimai

Priglauskite įrankį prie varžto/veržlės dar jo neįjungę, kad pradėjęs sukintis antgalis nenuslystų.

PRIEŽIŪRA IR VALYMAS

Prieš pradėdami įrankio remonto ar priežiūros darbus, taip pat gabenant bei saugant jį, nustatykite sukimo krypties jungiklį ties centru. Atsitiktinai įjungus jungiklį-gaiduką galima susižeisti.

Siekiant užtikrinti saugų darbą, įrankis ir jo vėdinimo angos visada turi būti švarios.

SAUGAUS GAMTAI ATLIEKŲ TVARKYMO NURODYMAI

Saugokime aplinką

Informacija (buitiniams vartotojams) apie saugų aplinkai atliekų tvarkymą pagal direktyvą dėl elektrinių ir elektroninių atliekų.



Šiuo ženklu pažymėtų elektrinių ir elektroninių gaminių negalima sunaikinti kaip

buitinių atliekų. Siekiant užtikrinti, kad tokie gaminiai bus tinkamai sunaikinti, valomi, panaudojami ar perdirbami, prašome pristatyti juos į specialius surinkimo punktus, kur juos priims be jokio mokesčio. Kai kuriose šalyse gali būti prašoma gražinti juos pardavėjui įsigyjant naujus tokius pačius gaminius. Tinkamai tvarkant tokias atliekas, tausojami išteklių ir nuo šalutinių poveikių, kurių galima tikėtis aplaidžiai juos naudojant ir sunaikinant, žmogaus sveikatai ir aplinkai. Dėl informacijos apie artimiausius surinkimo punktus prašome kreiptis į vietos institucijas. Netinkamu būdu tvarkant tokias atliekas, galimos įstatymuose numatytos baudos.

Panaudotų ar sugedusių baterijų tvarkymas

Panaudotų baterijų/akumuliatorių negalima tvarkyti kaip buitinių atliekų, mesti į ugnį ar vandenį. Pagal aplinkosaugos reikalavimus panaudoti ar sugedę akumuliatoriai/ baterijos turi būti gražinami pardavėjui ar pristatomi į jų surinkimo vietas. Pažeidus šiuos reikalavimus, galimos baudos.

Informacija pramoniniams vartotojams apie atliekų tvarkymą ne Europos Sąjungos šalyse



Šis ženklas galioja tik Europos Sąjungos šalyse.

Jei norite sunaikinti šiuos gaminius, dėl informacijos apie tinkamus atliekų tvarkymo būdus prašome kreiptis į vietos institucijas ar platintoją.

สว่านเจาะกระแทกรุ่น FIXA/ฟีกซ่า 14.4 โวลต์

ข้อมูลทางเทคนิค

แรงดันไฟฟ้า: 14.4 โวลต์

ความเร็วรอบ: 0-900 รอบ/นาที

อัตรากระแทก: 0-4800 ครั้ง/นาที

แรงกระแทก: 1.0 จูล

หัวจับดอกสว่าน: SDS plus

ขนาดเส้นผ่านศูนย์กลางรูเจาะใหญ่สุด:

- คอนกรีต (เจาะด้วยดอกสว่านร่องเกลียว) 10 มม. (3/8")
- เหล็ก 8 มม. (5/16")
- ไม้ 10 มม. (3/8")

แบตเตอรี่: แบตเตอรี่ลิเทียมไอออน

ความจุ: 1.5 Ah

จำนวนเซลล์แบตเตอรี่: 4

เวลาชาร์จ: 5-7 ชั่วโมง

แรงดันที่ชาร์จ: ตามแรงดันไฟฟ้าบ้าน

หัวจับดอกสว่าน: 10 มม. (3/8") ไม่ใช่จำปา quick-fit quick-release

น้ำหนัก: 1.3 กก. (2.86 ปอนด์)

ระดับความสั่นสะเทือน:

(ตามมาตรฐาน EN 60745-1 และ EN 60745-2-6):

$$<a_{h,n}, D=5.9 \text{ m/s}^2, K= 1.5 \text{ m/s}^2$$

$$a_{h,n} = 4.7 \text{ m/s}^2, K= 1.5 \text{ m/s}^2$$

ระดับเสียง (ตามมาตรฐาน EN 60745-1):

ความดันเสียง Lpa= 86 ดบ. (A)

Kpa= 3 ดบ. (A)

กำลังเสียง Lwa= 97 ดบ. (A)

Kwa= 3 ดบ. (A)

อุปกรณ์มาตรฐาน

รายการส่วนประกอบและอุปกรณ์ตามภาพ

1. หัวจับดอกสว่านระบบ SDS plus
2. ฝาครอบกันฝุ่น
3. ปลอกล็อกหัวจับ
4. สวิตช์เลือกโหมดเจาะ/เจาะกระแทก
5. สวิตช์หมุนซ้ายขวา

6. สวิตช์เปิดปิด
7. ดอกเจาะไม้ 3 มม. (1/8") สำหรับเจาะธรรมดา
8. ดอกเจาะไม้ 5 มม. (3/16") สำหรับเจาะธรรมดา
9. ดอก SDS 5 มม. (3/16") สำหรับเจาะกระแทก
10. ดอก SDS 6 มม. (1/4") สำหรับเจาะกระแทก
11. ดอก SDS 8 มม. (5/16") สำหรับเจาะกระแทก
12. มีอจับแบบกันลื่น
13. ช่องเสียบที่ชาร์จและไฟ LED
14. หัวจับดอก (สำหรับเปลี่ยน)
15. คอนเนกเตอร์ที่ชาร์จ
16. หม้อแปลงที่ชาร์จ

ขอบเขตการใช้งาน

สว่านกระแทกใช้เจาะกระแทกผิวคอนกรีต อิฐ หิน และเหมาะสำหรับงานเจาะรูบนผิวไม้ โลหะ เซรามิก และพลาสติก โดยใช้ดอกสว่านสำหรับเจาะรู สว่านไฟฟ้าพร้อมฟังก์ชันหมุนซ้ายขวาเหมาะสำหรับใช้ขึ้นและคลายสกรู

อ่านคำแนะนำการใช้ที่ชาร์จแบตเตอรี่อย่างละเอียดจนเข้าใจดีก่อนเริ่มใช้งาน เพื่อให้สามารถใช้ได้ทุกฟังก์ชันโดยไม่ติดขัด หรือเริ่มใช้งานเมื่อได้รับคำแนะนำอย่างถูกต้องเหมาะสมแล้วเท่านั้น

ข้อปฏิบัติเพื่อความปลอดภัย

คำแนะนำทั่วไปเพื่อความปลอดภัย



คำเตือน!



อ่านและปฏิบัติตามคู่มือและคำแนะนำทั้งหมด การไม่ปฏิบัติตามหรือการละเลยข้อปฏิบัติที่กำหนดไว้ อาจก่อให้เกิดอุบัติเหตุ ไฟไหม้ และ/หรือการบาดเจ็บสาหัส

เก็บเอกสารคำเตือนและคำแนะนำทั้งหมดไว้เพื่อใช้เป็นข้อมูลอ้างอิงต่อไป

คำว่า "เครื่องมือไฟฟ้า" ที่ปรากฏในเอกสารค่าเตือนทั้งหมดนี้ หมายถึงเครื่องมือไฟฟ้าชนิดมีสายไฟเสียบกับเต้ารับของไฟบ้าน รวมไปถึงเครื่องมือไฟฟ้าไร้สายที่ทำงานด้วยแบตเตอรี่

ความปลอดภัยในที่ทำงาน

1. รักษาความสะอาดของในที่ทำงาน และจัดให้มีแสงสว่างเพียงพอ ที่ทำงานที่มีด รก รังหรือไม่เป็นระเบียบสามารถก่อให้เกิดอุบัติเหตุได้ง่าย
2. ห้ามใช้เครื่องมือไฟฟ้าในสภาพแวดล้อมที่อาจเกิดระเบิดได้ เช่น ในที่มีมีของเหลวไวไฟ ก๊าซ หรือฝุ่นละออง เพราะขณะใช้งานเครื่องมือจะก่อประกายไฟซึ่งอาจทำให้ฝุ่นละอองในบริเวณนั้นติดไฟและลุกไหม้ขึ้นได้
3. ขณะใช้เครื่องมือ ควรให้เด็กและบุคคลอื่นอยู่นอกบริเวณที่ปฏิบัติงาน การเสียดสีขณะทำงาน อาจก่อให้เกิดอุบัติเหตุได้

ความปลอดภัยในการใช้เครื่องมือไฟฟ้า

1. ปลั๊กของเครื่องมือไฟฟ้าต้องใช้กับเต้ารับที่เข้ากันได้ ห้ามตัดแปลงแก้ไขปลั๊กไม่ว่าด้วยวิธีใด ห้ามใช้อะแดปเตอร์ต่อกับเครื่องมือไฟฟ้าที่มีสายดิน การใช้ปลั๊กไฟและเต้ารับชนิดที่ถูกต้องเข้ากันได้ ช่วยลดโอกาสเสี่ยงที่จะเกิดไฟฟ้าดูด
2. หลีกเลี่ยงการสัมผัสกับพื้นผิวที่ทำให้เกิดไฟดูดได้ง่าย เช่น ท่อ เครื่องทำความร้อน เตา และตู้เย็น เพราะเมื่อร่างกายหรืออวัยวะสัมผัสกับพื้นผิวเหล่านี้ ทำให้ไฟฟ้าไหลครบวงจร และเกิดไฟดูดได้
3. เก็บเครื่องมืออย่าให้เปียกฝนหรืออยู่ในสภาพเปียกชื้น ถ้านำเข้าเครื่อง จะยิ่งทำให้มีความเสี่ยงสูงที่จะถูกไฟดูด
4. ใช้สายไฟอย่างถูกต้อง ห้ามหิ้วเครื่องมือโดยหิ้วที่สายไฟ ห้ามดึงสายไฟเพื่อดึงเครื่องมือเข้าหาตัว และห้ามกระชากสายไฟเพื่อถอดปลั๊ก เก็บสายไฟให้พ้นจากความร้อน น้ำมัน ของมีคม หรือเครื่องจักรที่กำลังหมุนหรือเคลื่อนไหว สายไฟที่ชำรุดเสียหายหรือพันกันทำให้มีความเสี่ยงสูงที่จะถูกไฟดูด

5. เมื่อนำเครื่องมือไปใช้ในบ้านหรือกลางแจ้ง ให้เลือกใช้สายต่อพ่วงที่เหมาะสมสำหรับใช้งานภายนอก เพื่อลดความเสี่ยงของการเกิดไฟฟ้าดูด รวมทั้งใช้เบรกเกอร์ป้องกันไฟรั่วไฟดูด (residual circuit breaker device)

6. ไม่แนะนำให้ใช้เครื่องมือในที่เปียกชื้น แต่หากหลีกเลี่ยงไม่ได้ ให้ใช้เครื่องตัดกระแสไฟ RCD เพื่อป้องกันไฟดูด

ความปลอดภัยในการใช้เครื่องมือไฟฟ้า

1. ปลั๊กของเครื่องมือไฟฟ้าต้องใช้กับเต้ารับที่เข้ากันได้ ห้ามตัดแปลงแก้ไขปลั๊กไม่ว่าด้วยวิธีใด ห้ามใช้อะแดปเตอร์ต่อกับเครื่องมือไฟฟ้าที่มีสายดิน การใช้ปลั๊กไฟและเต้ารับชนิดที่ถูกต้องเข้ากันได้ ช่วยลดโอกาสเสี่ยงที่จะเกิดไฟฟ้าดูด
2. หลีกเลี่ยงการสัมผัสกับพื้นผิวที่ทำให้เกิดไฟดูดได้ง่าย เช่น ท่อ เครื่องทำความร้อน เตา และตู้เย็น เพราะเมื่อร่างกายหรืออวัยวะสัมผัสกับพื้นผิวเหล่านี้ ทำให้ไฟฟ้าไหลครบวงจร และเกิดไฟดูดได้
3. เก็บเครื่องมืออย่าให้เปียกฝนหรืออยู่ในสภาพเปียกชื้น ถ้านำเข้าเครื่อง จะยิ่งทำให้มีความเสี่ยงสูงที่จะถูกไฟดูด
4. ใช้สายไฟอย่างถูกต้อง ห้ามหิ้วเครื่องมือโดยหิ้วที่สายไฟ ห้ามดึงสายไฟเพื่อดึงเครื่องมือเข้าหาตัว และห้ามกระชากสายไฟเพื่อถอดปลั๊ก เก็บสายไฟให้พ้นจากความร้อน น้ำมัน ของมีคม หรือเครื่องจักรที่กำลังหมุนหรือเคลื่อนไหว สายไฟที่ชำรุดเสียหายหรือพันกันทำให้มีความเสี่ยงสูงที่จะถูกไฟดูด
5. เมื่อนำเครื่องมือไปใช้ในบ้านหรือกลางแจ้ง ให้เลือกใช้สายต่อพ่วงที่เหมาะสมสำหรับใช้งานภายนอก เพื่อลดความเสี่ยงของการเกิดไฟฟ้าดูด รวมทั้งใช้เบรกเกอร์ป้องกันไฟรั่วไฟดูด (residual circuit breaker device)
6. ไม่แนะนำให้ใช้เครื่องมือในที่เปียกชื้น แต่หากหลีกเลี่ยงไม่ได้ ให้ใช้เครื่องตัดกระแสไฟ RCD เพื่อป้องกันไฟดูด

ความปลอดภัยส่วนบุคคล

1. ต้องมีสติและตื่นตัวอยู่เสมอ ห้ามละสายตาจากงานที่ทำ ห้ามใช้เครื่องมือขณะรู้สึกเหน็ดเหนื่อย อ่อนเพลีย มีเมานหรือขณะใช้ยา การเหม่อลอยหรือขาดสติเพียงชั่วคราวอาจก่อให้เกิดอันตรายหรือการบาดเจ็บรุนแรงต่อผู้ใช้งานได้
2. ใช้อุปกรณ์เพื่อความปลอดภัยให้เหมาะกับงานที่ทำ เช่น หน้ากากกันฝุ่น รองเท้าและหมวกนิรภัย ที่อุดหู และสวมแว่นตานิรภัยตลอดเวลาที่ใช้เครื่องมือ
3. ก่อนเสียบปลั๊ก ตรวจสอบว่าสวิตช์เครื่องปิดอยู่ เพื่อป้องกันการกดปุ่มเปิดโดยบังเอิญ การถือเครื่องมือโดยวางนิ้วไว้บนโกสวิตช์หรือเปิดสวิตช์ก่อนเสียบปลั๊กเป็นการประมาทที่ก่อให้เกิดอันตรายและอุบัติเหตุได้
4. ถอดประแจหรือจำปาขึ้นออกก่อนเปิดใช้เครื่องมือ การปล่อยจำปาติดไว้กับเครื่องมือที่กำลังหมุนอาจก่อให้เกิดอันตรายได้
5. ขณะใช้เครื่องมือ อย่าเอื้อมหรือยื่นแขน เพราะอาจทำให้เสียหลักได้ง่าย ควรยืนเต็มเท้าให้ถนัดและทรงตัวได้ดี หากเกิดสถานการณ์ที่ไม่คาดคิด ก็ยังสามารถควบคุมเครื่องมือได้

6. แต่งกายให้เหมาะสม ห้ามสวมเครื่องแต่งกายที่หลวมหรือรุ่มร่าม ถ้าผมยาวควรรวบขึ้นให้หมด ระวังผม เครื่องแต่งกายหรือถุงมือถูกดึงเข้าไปในเครื่อง

7. ขณะใช้เครื่องมือ ถ้ามีโอกาสที่เครื่องมือจะสัมผัสกับสายที่มีไฟ ให้จับเครื่องมือตรงบริเวณที่หุ้มฉนวน เพื่อป้องกันไฟดูด

การใช้งานและดูแลรักษาเครื่องมือที่ใช้แบตเตอรี่

1. ใช้เฉพาะที่ชาร์จที่ผู้ผลิตรายนี้ใช้กับเครื่องมือชนิดนั้น การใช้ที่ชาร์จที่ไม่ใช่ของเครื่องมือนี้ อาจทำให้เกิดไฟไหม้ได้
2. ใช้เครื่องมือกับแบตเตอรี่ชนิดที่ถูกต้อง การใช้แบตเตอรี่ไม่เหมาะสมอาจทำให้เกิดไฟไหม้หรืออาการบาดเจ็บได้

3. เมื่อไม่ใช้แบตเตอรี่ ให้เก็บแบตเตอรี่ให้ห่างจากรัดอื่นที่เป็นโลหะ เช่น คลิปหนีบกระดาษ เหรียญ กุญแจ ตะปู สกรู หรือโลหะเล็กๆ ที่อาจสัมผัสขั้วแบตเตอรี่ จนทำให้เกิดการลัดวงจรของขั้วแบตเตอรี่ เป็นสาเหตุให้เกิดไฟไหม้ได้

4. การใช้งานไม่ถูกต้องอาจทำให้แบตเตอรี่เสื่อม ห้ามสัมผัสแบตเตอรี่และของเหลวในนั้น หากของเหลวถูกผิวหนัง ให้ล้างออกด้วยน้ำสะอาดปริมาณมาก ถ้าเข้าตา ให้รีบไปพบแพทย์ ของเหลวที่แยกออกจากแบตเตอรี่ อาจก่อให้เกิดการระคายเคืองผิวหนังหรือเกิดแผลไหม้ได้

การซ่อมแซม

ควรส่งซ่อมโดยช่างซ่อมผู้ชำนาญ และใช้เฉพาะชิ้นส่วนและอะไหล่ของแท้เท่านั้น
เพื่อให้เห็นใจใตความปลอดภัยของเครื่องมือหลังการซ่อม

ข้อปฏิบัติเพื่อความปลอดภัย

คำเตือนขณะใช้สว่าน

ใส่ที่ปิดหูทุกครั้งที่ใช้สว่านเจาะกระแทก การได้ยินเสียงดังต่อเนื่องอาจทำให้หูหนวกหรือมีปัญหาทางการได้ยิน

ใช้อุปกรณ์ที่เหมาะสมเพื่อหาสายไฟ ท่อแก๊ส หรือท่อประปาที่อาจซ่อนอยู่ หรือติดต่อบริษัทที่ให้บริการในพื้นที่มาตรวจสอบให้ เพื่อป้องกันการเจาะถูกสายเหล่านี้ การเจาะถูกสายไฟหรือท่อแก๊สอาจทำให้เกิดไฟไหม้ ถูกไฟดูด หรือเกิดระเบิดจากแก๊สรั่ว และการเจาะถูกท่อประปาอาจทำให้ทรัพย์สินเสียหายหรืออาจทำให้ถูกไฟดูดได้

ปิดสวิตช์เครื่องทันที หากดอกสว่านหรือไขควงติด ระวังการติดกลับที่อาจเกิดขึ้นได้จากแรงบิดของเครื่อง เครื่องมืออาจติดขัดได้ในกรณีนี้

- ใช้เครื่องมือเกินกำลัง หรือดอกสว่านติดกับชิ้นงาน

ขณะใช้เครื่องมือไฟฟ้า ต้องจับเครื่องมือให้แน่น ทั้งสองมือและยืนในท่าที่มั่นคง

การใช้สองมือจะช่วยให้งัดบังคับเครื่องมือได้ดีขึ้น

ยึดชิ้นงานใหม่ขึ้น ควรใช้คีมหรือปากกาจับชิ้นงาน เพราะจับได้แน่นและปลอดภัยกว่าใช้มือจับ

รักษาพื้นที่ทำงานให้สะอาดอยู่เสมอ การกองวัสดุรวมกันก่อให้เกิดอันตรายได้ง่าย เศษฝุ่นอัลลอยอาจติดไฟและระเบิดได้

ให้อาบน้ำหรือล้างมือก่อนและหลังทำงาน มิฉะนั้นอาจทำให้เกิดอาการคัน ระคายเคืองผิวหนังได้

ก่อนซ่อมแซม เปลี่ยนดอกสว่าน หรือทำการปรับเปลี่ยนใดๆ รวมทั้งขณะขนย้ายและเก็บสว่าน ต้องปรับปุ่มหมุนขยับขาไว้ตรงกลาง เพื่อป้องกันส่วนหมุนจนทำให้ได้รับอันตราย

เก็บสว่านให้พ้นจากความร้อน แสงแดดจัด ไฟ น้ำ และความชื้น ซึ่งเป็นปัจจัยเสี่ยงที่อาจทำให้เกิดระเบิด

แบตเตอรี่ที่ใช้กันอย่างไม่เหมาะสม รวมทั้งแบตเตอรี่ที่เสียหายหรือเสื่อมสภาพอาจปล่อยไอแบตเตอรี่ที่เป็นพิษออกมาได้ ถ้าสูดไอแบตเตอรี่ ให้รีบออกไปยังบริเวณที่มีอากาศถ่ายเทดีและไปพบแพทย์ หากอาการไม่ทุเลา ไอแบตเตอรี่มีพิษทำให้ระคายเคืองระบบทางเดินหายใจ

คำเตือนเพื่อความปลอดภัยในการใช้ที่ชาร์จ



สำหรับใช้งานภายในอาคารเท่านั้น



จำนวนคู่

อย่าให้ที่ชาร์จแบตเตอรี่เปียกฝน เปียกน้ำ หรือถูกความชื้น ถ้าที่ชาร์จเปียกจะทำให้ถูกไฟดูดได้ง่าย

ห้ามใช้ที่ชาร์จนี้ชาร์จแบตเตอรี่อื่น ที่ชาร์จเหมาะสำหรับชาร์จแบตเตอรี่ของเครื่องมือนี้เท่านั้น การฝืนใช้กับแบตเตอรี่อื่น อาจทำให้เกิดไฟไหม้หรือระเบิดได้

เก็บที่ชาร์จให้สะอาดอยู่เสมอ ที่ชาร์จที่สกปรกอาจทำให้เกิดไฟดูดได้

ก่อนใช้งาน ให้ตรวจสอบที่ชาร์จ สายไฟ และปลั๊กก่อนเสมอ ห้ามใช้งานเด็ดขาดหากชำรุด ห้ามแกะชิ้นส่วนที่ชาร์จเองเด็ดขาด ให้ส่งซ่อมโดยช่างผู้ชำนาญเท่านั้น ที่ชาร์จ สายไฟ และปลั๊กที่ชำรุด ทำให้ผู้ช้ถูกไฟดูดได้ง่าย

ห้ามชาร์จไฟแบตเตอรี่บนพื้นผิวที่ติดไฟง่าย เช่น กระดาษ ผ้า ฯลฯ หรือในบริเวณที่ติดไฟง่าย เพราะความร้อนที่เกิดขณะชาร์จแบตเตอรี่อาจก่อประกายไฟทำให้เกิดไฟไหม้ได้

ห้ามเด็กเล่นที่ชาร์จแบตเตอรี่เด็ดขาด

คำความสั้นสะท้อน

คำความสั้นสะท้อนที่ระบุไว้ในคู่มือนี้ ได้รับการตรวจวัดตามการทดสอบมาตรฐานที่กำหนดไว้ใน EN 60745 คำความสั้นสะท้อนนี้อาจใช้ในการเปรียบเทียบระหว่างเครื่องมือแต่ละชิ้น และใช้เป็นค่าประเมินเบื้องต้นของแรงสั้นสะท้อนที่มีผลต่อผู้ใช้งาน ขณะใช้เครื่องมือทำงานดังที่ระบุไว้ การใช้เครื่องมือในลักษณะงานที่ต่างกัน หรือการใช้เครื่องมือคู่กับอุปกรณ์เสริมที่เก็บรักษาไม่ดีหรือเก็บรักษาด้วยวิธีที่แตกต่างกัน อาจทำให้แรงสั้นสะท้อนเพิ่มขึ้นมาก

เมื่อกดสวิตช์ปิดเครื่องมือ หรือเปิดแต่ยังไม่ได้ออกทำงาน แรงสั้นสะท้อนอาจลดลงมาก

ผู้ใช้ควรป้องกันแรงสั้นสะท้อนที่ส่งผลกระทบต่อผู้ใช้เอง โดยการเก็บเครื่องมือและอุปกรณ์เสริมให้อยู่ในสภาพดี ให้มีมืออุ่นอยู่เสมอขณะใช้ และจัดรูปแบบการทำงานให้เหมาะสม

การประกอบ

ก่อนซ่อมแซม เปลี่ยนดอกสว่าน หรือทำการปรับเปลี่ยนใดๆ รวมทั้งขณะขนย้ายและเก็บสว่าน ต้องปรับไกสวิตช์ไว้ตรงกลาง เพื่อป้องกันส่วนหมุนจนทำให้ได้รับอันตราย

การชาร์จแบตเตอรี่

วิธีชาร์จแบตเตอรี่ส่วนเจาะกระแทก

เมื่อเสียบปลั๊กที่ชาร์จ ไฟสีแดงบนส่วนจะติดเพื่อแสดงว่ากำลังชาร์จแบตเตอรี่ (13)

ในสภาพการใช้งานปกติ สามารถชาร์จไฟแบตเตอรี่ซ้ำได้หลายร้อยครั้ง

ข้อควรระวัง! แบตเตอรี่ร้อนขณะชาร์จไฟ

หมายเหตุ: แบตเตอรี่ที่หามาพร้อมตัวเครื่องผ่านการชาร์จเพื่อทดสอบเท่านั้น ยังไม่ได้อายุการใช้งานเต็ม จึงต้องชาร์จให้เต็มก่อนนำไปใช้

อ่านคำแนะนำด้านความปลอดภัยให้ละเอียด แล้วจึงชาร์จแบตเตอรี่ตามคำแนะนำนั้น โดยเสียบคอนเนกเตอร์ที่ชาร์จ (15) ลงในช่องเสียบชาร์จ (13) ของส่วนแล้วเสียบปลั๊กหม้อแปลงที่ชาร์จกับเต้ารับ

ระวังอย่าให้สายไฟผูกเป็นปมหรือหักงอ

หม้อแปลงของที่ชาร์จและแบตเตอรี่ออกแบบมาให้ใช้คู่กัน

ห้ามนำที่ชาร์จนี้ไปใช้ชาร์จไฟเครื่องมือไร้สายหรือแบตเตอรี่จากผู้ผลิตอื่น ส่วนที่ชาร์จแบตเตอรี่เต็มแล้วจะค่อยๆ คายประจุที่ชาร์จออก แม้ว่าจะเก็บไว้โดยไม่ได้อีกก็ตาม

แบตเตอรี่ลิเทียมไอออนมีระบบ Electronic Cell Protection (ECP) ที่ช่วยป้องกันการคายประจุแบตเตอรี่จนหมด ถ้าแบตเตอรี่หมด วงจรจะปิด ดอกสว่านที่ใส่เข้าไปจะไม่หมุน



คำเตือน! ถ้าวางปุ่มปิดอัตโนมัติแล้ว อย่ากดสวิทช์เปิดปิดอีก เพราะอาจทำให้แบตเตอรี่เสียหายได้



คำเตือน! ชาร์จไฟแบตเตอรี่บนพื้นผิวที่ไม่ติดไฟ และอย่าชาร์จนานเกิน 8 ชั่วโมง ขณะชาร์จไฟสถานะจะเป็นสีแดง เมื่อชาร์จแบตเตอรี่เต็มแล้วไฟจะเปลี่ยนเป็นสีเขียว

ดึงปลั๊กไฟออกและเก็บหม้อแปลงไว้ในที่ที่เหมาะสม เมื่อไม่ใช้งาน

ไม่แนะนำให้ชาร์จแบตเตอรี่ที่อุณหภูมิต่ำกว่าจุดเยือกแข็ง

ขณะถอดแบตเตอรี่ ให้กดไกสวิตช์เปิดปิด (5) ค้างไว้ จนกว่าจะถอดแบตเตอรี่เสร็จ โดยชั้นสกรูที่ยึดฝาครอบออกแล้วถอดฝาครอบ จากนั้นปลดล๊อคแบตเตอรี่แล้วถอดแบตเตอรี่ออก (ตามรูป A)

คำแนะนำการใช้งาน

การเปลี่ยนดอกสว่าน

หัวจับดอกสว่าน SDS plus ช่วยให้เปลี่ยนดอกสว่านได้ง่าย โดยไม่ต้องไขจ่าปาซัน ระบบล็อกจะทำให้ดอกสว่านหมุนอิสระ ซึ่งขณะหมุนเปล่า ส่วนอาจหมุนสายได้ แต่ขณะเจาะตามปกติ ดอกสว่านจะหมุนตรง ทำให้เจาะรูได้แม่นยำ

ระบบล็อก SDS plus ใช้จับดอกสว่านก้านหกเหลี่ยมได้หลายแบบ ขณะใช้งานฝาครอบกันฝุ่น (2) จะกันฝุ่นผงจากการเจาะไม่ให้กระเด็นเข้าเครื่อง ขณะใส่หัวจับดอก SDS plus ระวังอย่าให้ฝาครอบชาร์จ

การใส่หัวจับดอกสว่าน SDS plus (ภาพ A)

ทำความสะอาดและขลิมน้ำมันบางๆ บนก้านของหัวจับดอก

เสียบหัวจับดอกสว่านเข้าไปในตัวล็อกดอกสว่านแล้วบิดให้ล็อก

ลองดึงดอกสว่านเพื่อตรวจสอบว่าดอกสว่านลงล็อกหรือไม่

การถอดหัวจับดอกสว่าน SDS plus (ภาพ A)



คำเตือน! หลังใช้งาน หัวจับดอกสว่านจะร้อน ระวังอย่าให้ถูกผิวหนัง และใช้ถุงมือหรือผ้าจับเพื่อถอดออก

ต้นปลอกล็อกหัวจับ (3) ไปด้วยแล้ว ถอดหัวจับดอกสว่านออก เมื่อถอดออกแล้ว ควรเช็ดอุปกรณ์ทุกชิ้นให้สะอาด

การเก็บฝุ่นหรือเศษวัสดุจากการเจาะ

ฝุ่นผงที่เกิดจากการเจาะไม้ แร่ โลหะ หรือวัสดุที่เคลือบผิวด้วยตะกั่วเป็นพิษต่อร่างกาย ผู้ที่สัมผัสหรือสูดฝุ่นผงนี้เข้าไปอาจทำให้เกิดอาการแพ้หรือติดเชื้อในระบบทางเดินหายใจได้

ฝุ่นไม้บางประเภท เช่น ไม้โอ๊คและไม้บีช ถือเป็นสารก่อมะเร็ง โดยเฉพาะเมื่อผสมกับสารเคลือบไม้ เช่น โครเมตและสารรักษาเนื้อไม้ ควรระมัดระวังเป็นพิเศษ ส่วนวัสดุที่มีส่วนผสมของใยหิน จำเป็นต้องจัดการโดยผู้เชี่ยวชาญเท่านั้น

- จัดบริเวณที่ทำงานให้มีอากาศถ่ายเทได้ดี
- แนะนำให้ใช้หน้ากากกันฝุ่นชนิด P2

ในการทำงานกับวัสดุแต่ละประเภท ให้ปฏิบัติตามกฎเกณฑ์ที่กำหนดไว้

เริ่มต้นใช้งาน ตั้งโหมดการทำงาน

ปรับที่สวิตช์เลือกโหมดเจาะ/เจาะกระแทก (4) เพื่อเลือกโหมดการทำงานที่ต้องการ

หมายเหตุ: เปลี่ยนโหมดการทำงานเมื่อปิดเครื่องแล้วเท่านั้น การเปลี่ยนโหมดขณะเปิดเครื่อง อาจทำให้เครื่องชำรุดเสียหายได้

เมื่อต้องการเปลี่ยนโหมดให้ปรับสวิตช์เลือกโหมดเจาะ/เจาะกระแทก (4) ไปยังตำแหน่งที่ต้องการ



โหมดการเจาะกระแทกใช้กับคอนกรีตหรือหินเท่านั้น



โหมดการเจาะรูใช้กับไม้ โลหะ เซรามิก พลาสติก และใช้ในการขันและคลายสกรู

การเปลี่ยนทิศทางหมุน

กดสวิตช์หมุนซ้ายขวา (5) เมื่อเครื่องหยุดสนิทแล้ว

ถ้ายังกดสวิตช์เปิดปิด (6) ค้างอยู่ จะไม่สามารถกดสวิตช์หมุนซ้ายขวาได้

การหมุนขวา: ใช้เจาะรูและขันสกรูเข้า ให้กดสวิตช์หมุนซ้ายขวา (5) ไปทางซ้ายจนสุด

การหมุนซ้าย: ใช้คลายและถอนสกรูและนอต ให้กดสวิตช์หมุนซ้ายขวา (5) ไปทางขวาจนสุด

สวิตช์เปิดปิด

กดสวิตช์เปิดปิด (6) ค้างไว้เพื่อเปิดและใช้เครื่องมือ

ปล่อยไกสวิตช์เปิดปิด เมื่อต้องการให้เครื่องมือหยุดทำงาน (6)

สำหรับการใช้งานในที่ที่อุณหภูมิต่ำ ต้องรอให้เครื่องเดินสักครู่ เพื่อให้ส่วนที่มีกำลังเจาะกระแทกได้สูงสุด

หมายเหตุ: ขณะใช้สว่านไขควง อาจเกิดประกายไฟให้เห็นในช่องมอเตอร์ ประกายไฟนี้เป็นปฏิกิริยาที่เกิดขึ้นจากชิ้นส่วนของมอเตอร์เสียดสีกันขณะใช้งาน ซึ่งไม่มีผลใดๆ ต่อประสิทธิภาพของสว่านไขควง อย่างไรก็ตาม ไม่ควรใช้สว่านไขควงใกล้ของเหลวไวไฟ แก๊ส หรือฝุ่น เพราะอาจทำให้ไฟลุกได้

การตั้งความเร็วรอบและอัตรากระแสแทก

ปรับความเร็วรอบและอัตรากระแสแทกของสว่านได้ โดยการเพิ่มหรือลดแรงกดลงบนสวิตช์เปิดปิด การกดสวิตช์เปิดปิดเบาๆ จะให้ความเร็วรอบและอัตรากระแสแทกต่ำ เมื่อกดสวิตช์แรงขึ้น ก็จะเป็นความเร็วรอบและอัตรากระแสแทกขึ้นตามลำดับ

การป้องกันการใช้ไฟฟ้าเกินเนื่องจากอุณหภูมิ
เครื่องมือจะไม่มีปัญหาการใช้ไฟฟ้าเกิน หากใช้งานอย่างถูกต้องเหมาะสม แต่ถ้าใช้ไฟฟ้าเกินหรือแบตเตอรี่มีอุณหภูมิสูงเกิน 70 องศาเซลเซียส ชุดควบคุมอิเล็กทรอนิกส์จะตัดและปิดเครื่องอัตโนมัติจนกว่าอุณหภูมิของเครื่องมือจะกลับเป็นปกติ

คำแนะนำการใช้งาน

เพื่อความปลอดภัย เมื่อจะขึ้นสกรู ให้ปิดสว่านก่อน ค่อยนำสว่านไปจับสกรู แล้วจึงกดสวิตช์เปิดเพื่อขึ้นสกรูเข้าไป.

การดูแลรักษาและทำความสะอาด

ก่อนซ่อมแซม เปลี่ยนดอกสว่าน หรือทำการปรับเปลี่ยนใดๆ รวมทั้งขณะขนย้ายและเก็บสว่าน ต้องปิดปุ่มหมุนขยับขาว่าไว้ตรงกลาง เพื่อป้องกันสว่านหมุนจนทำให้ได้รับอันตราย

รักษาเครื่องมือและช่องระบายอากาศให้สะอาดอยู่เสมอ เพื่อให้ใช้งานได้อย่างเป็นปกติและปลอดภัย

คำแนะนำวิธีการทิ้ง

การปกป้องสิ่งแวดล้อม

ระบุว่าด้วยการจัดการเศษเหลือทิ้งของผลิตภัณฑ์ไฟฟ้าและอิเล็กทรอนิกส์ (WEEE) ในด้านข้อมูลที่ใช้ใช้ในภาคครัวเรือนควรถาวร เพื่อการกำจัดเศษเหลือทิ้งอย่างมีความรับผิดชอบและเป็นมิตรต่อสิ่งแวดล้อม



สัญลักษณ์นี้ซึ่งปรากฏบนผลิตภัณฑ์ หรือบนเอกสารที่เกี่ยวข้องของผลิตภัณฑ์ไฟฟ้าและอิเล็กทรอนิกส์ เป็นสัญลักษณ์ที่บ่งชี้ว่าผลิตภัณฑ์ที่ผ่านการใช้งานหรือหมดอายุใช้งานแล้ว ไม่ควรนำไปทิ้งรวมกับขยะอื่นๆ ในครัว

เรือน กรุณานำเศษเหลือทิ้งเหล่านี้ไปยังจุดรับทิ้งที่ทางการกำหนด เพื่อนำไปกำจัดและรีไซเคิลอย่างถูกต้องต่อไป สำหรับบางประเทศคุณสามารถส่งเศษเหลือทิ้งเหล่านี้กลับคืนไปยังผู้จำหน่าย พร้อมกับสิ่งซื้อสินค้าใหม่ในแบบเดียวกันมาทดแทน การกำจัดเศษเหลือทิ้งอย่างถูกวิธีจะช่วยพิทักษ์ทรัพยากรอันมีค่า และป้องกันผลกระทบที่อาจเกิดขึ้นต่อสุขภาพและสิ่งแวดล้อม กรุณาติดต่อหน่วยงานผู้มีอำนาจในท้องถิ่นของคุณ เพื่อสอบถามรายละเอียดของจุดรับทิ้งที่ใกล้ที่สุดที่ทางการกำหนดไว้ ผู้ใดฝ่าฝืนไม่ปฏิบัติตามระเบียบนี้จะถูกลงโทษตามกฎหมาย

การกำจัดแบตเตอรี่ชาร์จหรือหมอดอายุ

ห้ามทิ้งแบตเตอรี่เก่า ชาร์จ หรือหมอดอายุรวมกับขยะอื่นๆ ในครัวเรือน กฎหมายกำหนดให้ผู้ใช้ต้องนำแบตเตอรี่เก่าไปทิ้งยังจุดรับทิ้งแบตเตอรี่ใกล้บ้านหรือส่งกลับไปยังบริษัทที่มีหน้าที่จัดการรับทิ้ง ผู้ใดฝ่าฝืน อาจมีโทษปรับหรือได้รับโทษอื่นตามกฎหมาย

ข้อมูลการกำจัดเศษเหลือทิ้งของผลิตภัณฑ์ไฟฟ้าและอิเล็กทรอนิกส์สำหรับภาคธุรกิจนอกประเทศกลุ่มสหภาพยุโรป



สัญลักษณ์นี้มีผลบังคับใช้เฉพาะภายในประเทศกลุ่มสหภาพยุโรปเท่านั้น กรุณาติดต่อหน่วยงานผู้มีหน้าที่รับผิดชอบหรือผู้จัดจำหน่ายภายในประเทศ เพื่อสอบถามข้อมูลการกำจัดเศษเหลือทิ้งอย่างถูกต้อง

