

MATÄLSKARE

205.082.53

SG

MY

TH

HK

ID

TW

PH

KR



Design and Quality
IKEA of Sweden



The IKEA after sales customer service center will assist you on the phone with basic Troubleshooting for your appliances at the time of service call request. Please refer to www.IKEA.com and select your local store for local store phone numbers and opening times.



Pusat khidmat pelanggan selepas jualan IKEA akan membantu anda menyelesaikan masalah perkakas anda melalui telefon pada masa permintaan untuk panggilan servis. Sila rujuk www.IKEA.com ilih gedung tempatan anda untuk nombor telefon gedung tempatan dan masa operasi.



ศูนย์บริการลูกค้าหลังการขายของ IKEA จะช่วยเหลือคุณทางโทรศัพท์เพื่อแก้ ปัญหาพื้นฐานสำหรับเครื่องใช้ไฟฟ้า ของคุณ เมื่อมีการติดต่อขอใช้บริการ โปรดดูที่ www.IKEA.com แล้วเลือกสาขาในพื้นที่ของคุณ เพื่อดู หมายเลขโทรศัพท์ของสาขาในพื้นที่และ เวลาเปิดทำการ



IKEA 售後客戶服務中心將會協助您，在您致電提出服務要求的時候，以電話的形式，針對您的家電用品為您提供基本的疑難排解服務。請參閱 www.IKEA.com 並選取您的當地店鋪，已取得當地店鋪電話號碼與營業時間



Pusat layanan pelanggan purna jual IKEA akan membantu Anda melalui telepon dengan pemecahan masalah dasar untuk peralatan Anda pada saat permintaan panggilan layanan. Silakan merujuk ke www.IKEA.com dan pilih toko lokal Anda untuk nomor telepon toko lokal dan jam buka.



IKEA 애프터 고객 서비스 센터는 서비스 통화 요청 시기에 대한 기본적인 문제 해결 방식에 따라 전화로 도움을 드립니다. 참조하십시오 www.IKEA.com 을 참조하셔서 현지 매장을 선택하십시오.

ENGLISH	5
BAHASA MELAYU	15
ภาษาไทย	25
繁體中文	35
INDONESIA BAHASA	44
한국어	55

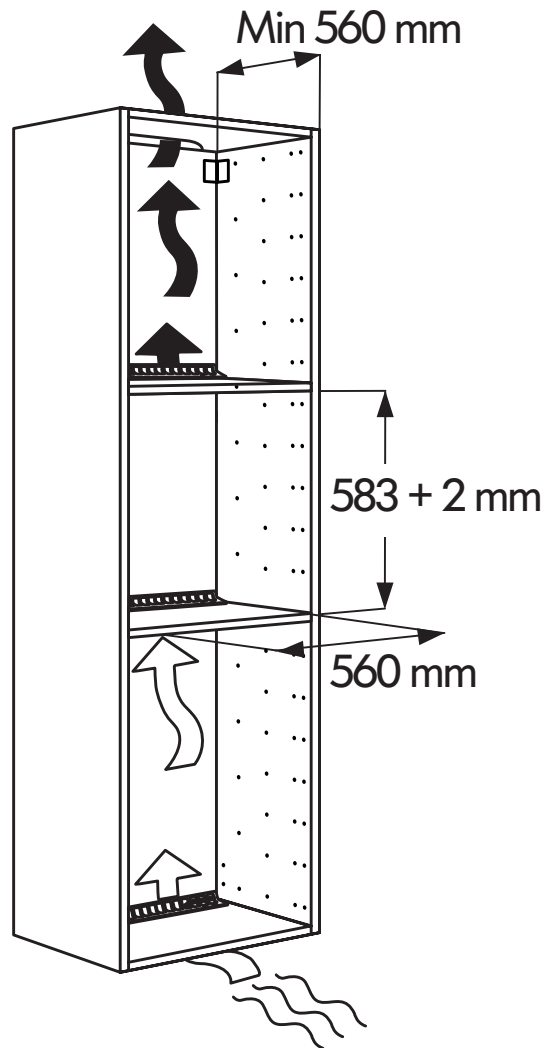
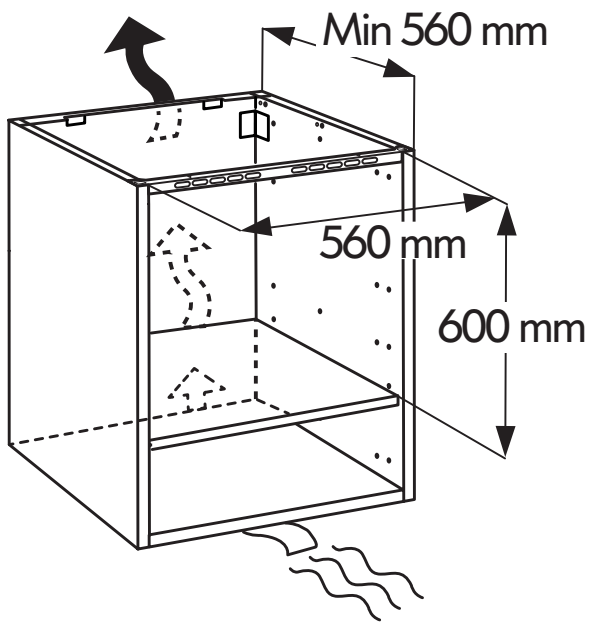


Table of contents

Safety Information	5	What to do if ...	11
Product description	7	Technical data	12
Control panel	7	Installation	13
First use	7	Electrical connection	13
Daily use	8	Environmental concerns	13
Cooking tables	8	IKEA GUARANTEE	14
Cleaning and maintenance	10		

Safety Information

Before using the appliance, read these safety instructions. Keep them nearby for future reference.

These instructions and the appliance itself provide important safety warnings, to be observed at all times. The manufacturer declines any liability for failure to observe these safety instructions, for inappropriate use of the appliance or incorrect setting of controls.

SAFETY WARNINGS

⚠ Very young children (0-3 years) should be kept away from the appliance. Young children (3-8 years) should be kept away from the appliance unless continuously supervised. Children from 8 years old and above and persons with reduced physical, sensory or mental capabilities or lack of experience and knowledge can use this appliance only if they are supervised or have been given instructions on safe use and understand the hazards involved. Children must not play with the appliance. Cleaning and user maintenance must not be carried out by children without supervision.

⚠ **WARNING!** The appliance and its accessible parts become hot during use. Care should be taken to avoid touching heating elements. Children less than 8 years old must be kept away unless continuously supervised.

⚠ **WARNING!** Never leave the appliance unattended during food drying. If the appliance is suitable for probe usage, only use a temperature probe recommended for this oven - risk of fire.

⚠ Keep clothes or other flammable materials away from the appliance, until all the components have cooled down completely - risk of fire. Always be vigilant when cooking foods rich in fat, oil or when adding alcoholic beverages - risk of fire. Use oven gloves to remove pans and accessories. At the end of cooking, open

the door with caution: allowing hot air or steam to exit gradually before accessing the cavity - risk of burns. Do not obstruct hot air vents at the front of the oven - risk of fire.

⚠ Exercise caution when the oven door is in the open or down position, to avoid hitting the door.

PERMITTED USE

⚠ **CAUTION:** the appliance is not intended to be operated by means of an external switching device, such as a timer, or separate remote controlled system.

⚠ This appliance is intended to be used in household and similar applications such as: staff kitchen areas in shops, offices and other working environments; farm houses; by clients in hotels, motels, bed & breakfast and other residential environments.

⚠ This appliance is not for professional use. Do not use the appliance outdoors. No other use is permitted (e.g. heating rooms).

⚠ Do not store explosive or flammable substances (e.g. gasoline or aerosol cans) inside or near the appliance - risk of fire.

INSTALLATION

⚠ The appliance must be handled and installed by two or more persons - risk of injury. Use protective gloves to unpack and install - risk of cuts.

⚠ Installation, including water supply (if any) and electrical connections, and repairs must be carried out by a qualified technician. Do not repair or replace any part of the appliance unless specifically stated in the user manual. Keep children away from the installation site. After unpacking the appliance, make sure that it has not been damaged during transport. In the event of problems, contact the dealer or your nearest After-sales Service.

Once installed, packaging waste (plastic, styrofoam parts etc.) must be stored out of reach of children - risk of suffocation. The appliance must be disconnected from the power supply before any installation operation - risk of electrical shock. During installation, make sure the appliance does not damage the power cable - risk of fire or electrical shock. Only activate the appliance when the installation has been completed.

⚠ Carry out all cabinet cutting works before fitting the appliance in the furniture and remove all wood chips and sawdust. Do not obstruct the minimum gap between the worktop and the upper edge of the oven - risk of burn.

Do not remove the oven from its polystyrene foam base until the time of installation.

⚠ After installation, the bottom of the appliance must no longer be accessible - risk of burn.

⚠ Do not install the appliance behind a decorative door - risk of fire.

ELECTRICAL WARNINGS

⚠ The rating plate is on the front edge of the oven (visible when the door is open).

⚠ It must be possible to disconnect the appliance from the power supply by unplugging it if plug is accessible, or by a multi-pole switch installed upstream of the socket and the appliance must be earthed, in conformity with national electrical safety standards.

⚠ Do not use extension leads, multiple sockets or adapters. The electrical components must not be accessible to the user after installation.

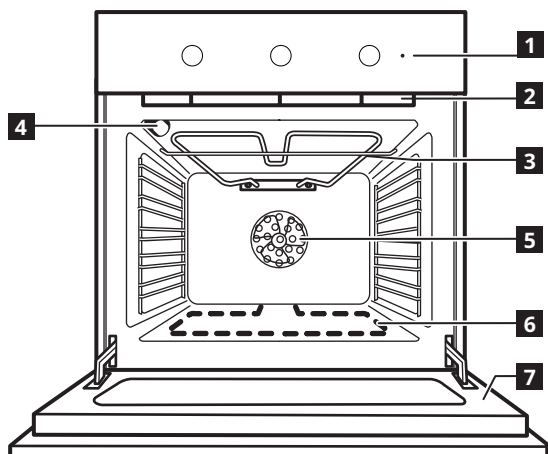
Do not use the appliance when you are wet or barefoot.

Do not operate this appliance if it has a damaged power cable or plug, if it is not working properly, or if it has been damaged or dropped.

⚠ If the supply cord is damaged, it must be replaced with an identical one by the manufacturer, its service agent or similarly qualified persons in order to avoid a hazard - risk of electrical shock.

⚠ In case of replacement of power cable, contact an authorized service center.

Product description

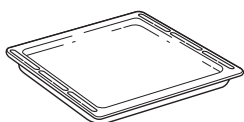


- 1** Control panel
- 2** Cooling fan (not visible)
- 3** Grill element
- 4** Oven lamp
- 5** Oven fan
- 6** Lower heating element (hidden)
- 7** Oven door

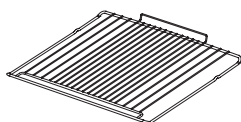
Accessories

Baking tray

Wire Shelf



1x



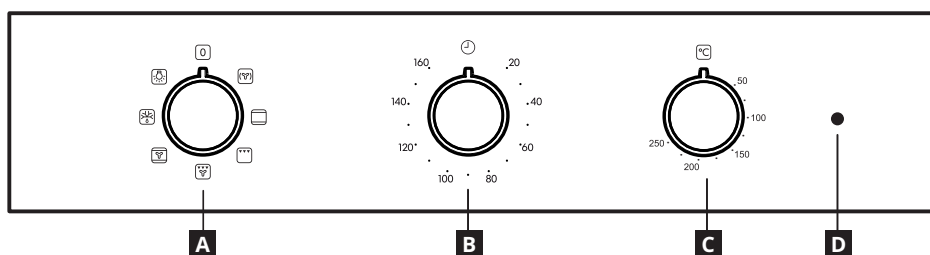
1x

Inserting the wire shelf and other accessories

Insert the wire shelf onto the level you require by holding it tilted slightly upwards and resting the raised rear side (pointing upwards) down first. Next, slide it horizontally along the shelf guide as far as possible.

The other accessories, such as the baking tray, are inserted horizontally by sliding them along the shelf guides. If you want to buy an accessory, call the Authorized Service Centre.

Control panel



- A** Selection knob
- B** Time knob
- C** Thermostat knob
- D** Led thermostat/preheating

First use

Remove the accessories from the oven and heat it at 200° for about an hour to eliminate the smell and fumes from the insulating materials and protective grease.

Daily use

1. Select a function

To select a function, turn the *selection knob* to the symbol for the function you require.

2. Turn on/off the oven

To switch on the oven turn the **A** Knob to the desired function, to switch off turn the **A** knob to position "0".

3. Preheating

Once the function has been activated, the LED thermostat will switch on signalling that the preheating process has begun.

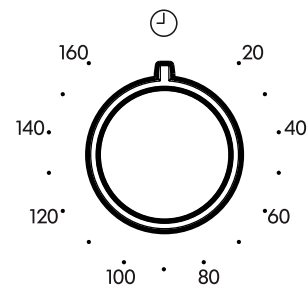
At the end of this process, the LED thermostat switches off indicating that the oven has reached the set temperature: At this point, place the food inside and proceed with cooking.

Please note: Placing the food in the oven before preheating has finished may have an adverse effect on the final cooking result.

4. Setting the timer

This option does not interrupt or activate cooking but allows you to use the minute minder both while a function is active and when the oven is off.

To activate the timer, turn the *timer knob* right round in an clockwise direction and then turn it back in the opposite direction to the desired duration: an acoustic signal will warn you when the count-down is finished.












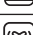
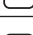






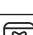



Oven functions table

The oven has 5 cooking levels. Count up from the lower level.









Function	Description of function
0	OVEN OFF For switching off the oven.
	FORCED AIR For cooking different foods that require the same cooking temperature on several shelves (maximum three) at the same time. This function can be used to cook different foods without odours being transferred from one food to another.
	CONVENTIONAL (Top and Bottom Heat) For cooking any kind of dish on one shelf only. It is best to use the 2nd shelf.
	GRILL For grilling steaks, kebabs and sausages, cooking vegetables au gratin or toasting bread. When grilling meat, we recommend using a drip tray to collect the cooking juices: position the pan on any of the levels below the wire shelf and add 200 ml of drinking water.
	GRILLING WITH FAN For roasting large joints of meat (legs, roast beef, chicken). We recommend using a drip tray to collect the cooking juices: position the pan on any of the levels below the wire shelf and add 500 ml of drinking water.
	CONVECTION BAKE For baking cakes with juicy fillings on a single shelf. This function can also be used for cooking on two shelves. Switch the position of the dishes to cook food more evenly.
	DEFROST For defrosting food more quickly. Place the food in the center of the cavity, level 3
	LIGHT For switching on the light in the compartment.

Cooking tables

Type of food	Function	Preheating	Level (from the bottom)	Temperature (°C)	Cooking time (min)
SWEETS, PASTRY, ETC					
Leavened cakes		X	2	150-170	30-90
		X	4-1	160-180	30-90
Filled pies (cheesecake, strudel, fruit pie)		X	2	160-200	35-90
		X	4-2	160-200	40-90
Biscuits/tartlets		X	2/3	160-180	15-40
		X	4-2/5-3-1	150-170	20-45
Choux buns		X	2	180-200	40-60
		X	4-2	170-190	35-50

Type of food	Function	Preheating	Level (from the bottom)	Temperature (°C)	Cooking time (min)
Meringues		X	2	90	150-200
		X	4-2/5-3-1	90	140-200
Bread/pizza/focaccia		X	1/2	220-250	10-40
		X	4-2	200-240	20-30
Frozen pizza		X	2	250	10-30
		X	4-2	230-250	10-30
Savoury pies (vegetable pie, quiche)		X	2	180-200	30-50
		X	4-2/5-3-1	180-200	30-60
Vols-au-vent /Puff pastry crackers		X	2	190-200	20-30
		X	4-2/5-3-1	180-190	20-40
Lasagne, baked pasta, cannelloni, flans		X	2	190-200	45-65
Lasagna & Meat		X	4-2	200	50-100***
Meat & Potatoes		X	4-1	190-200	45-100***
Fish & Vegetables		X	4-1	180	30-50***
Complete meal Fruit tart (Level 5) / Lasagna (Level 3) / Meat (Level 1)		X	5-3-1	180-190	40-120***
MEAT					
Roast Meat 2 kg		X	2	180-190	110-150
Lamb/Veal/Beef 1Kg		X	2	190-200	80-120
Chicken/Rabbit/Duck 1Kg		X	2	200-230	50-100
Turkey/Goose 3Kg		X	2	180-200	150-200
FISH					
Baked fish/en papillote 0.5Kg (fillet, whole)		X	2	170-190	30-50
VEGETABLES					
Stuffed vegetables (tomatoes, courgettes, aubergines)		X	2	180-200	50-70

Cooking table with GRILL function

Toast		5'	5	250	2-6
Fish fillets/slices		5'	4/3	250	15-30*
Sausages/kebabs/spare ribs/hamburgers		5'	5/4	250	15-30*
Leg of lamb/knuckle		-	3	200-220	60-90**
Vegetable gratin		-	3	200-220	30-60**
Roast potatoes		-	3	200-220	30-60**
Roast chicken 1-1.3 Kg		-	3	200-220	60-90**
Roast beef rare 1Kg		-	3	200-220	30-60**

Note: cooking temperatures and times are for guidance only.

* Turn food halfway through cooking

** Turn food two-thirds of the way through cooking (if necessary).

*** Estimated length of time: dishes can be removed from the oven at different times depending on personal preference.

Cleaning and maintenance

CLEANING

⚠ WARNING!

- Never use steam cleaning equipment.
- Only clean the oven when it is cool to the touch.
- Disconnect the appliance from the power supply.

Oven exterior

- ⓘ **IMPORTANT:** do not use corrosive or abrasive detergents. If any of these products accidentally comes into contact with the appliance, clean immediately with a damp cloth.
- Clean the surfaces with a damp cloth. If it is very dirty, add a few drops of washing up detergent to the water. Finish off with a dry cloth.

Oven interior

- ⓘ **IMPORTANT:** do not use abrasive sponges or metallic scrapers or scourers. Over time, these can ruin enamelled surfaces and the oven door glass.
- After every use, allow the oven to cool then clean it preferably while it is still warm in order to remove built-up dirt and stains caused by food residues (e.g. food with a high sugar content).
- Use proper oven detergents and follow the manufacturer's instructions to the letter.
- Clean the door glass with a suitable liquid detergent. The oven door can be removed to facilitate cleaning (see MAINTENANCE). Inner glass is smooth to facilitate cleaning.

NOTE: during prolonged cooking of foods with a high water content (e.g. pizza, vegetables, etc.) condensation may form on the inside of the door and around the seal. When the oven is cold, dry the inside of the door with a cloth or sponge.

Accessories

- Soak the accessories in water with washing up detergent immediately after use, handling them with oven gloves if still hot.
- Food residues can be easily removed using a brush or sponge.

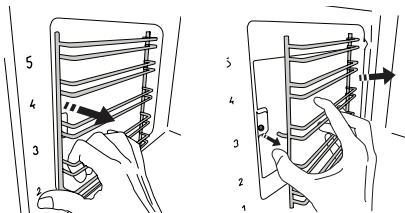
MAINTENANCE

⚠ WARNING!

- Use safety gloves.
- Ensure the oven is cold before carrying out the following operations.
- Disconnect the oven from the power supply.

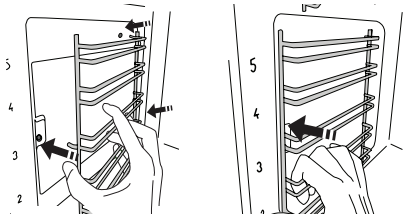
To remove the shelf guides

firmly grip the external part of the guide, and pull it towards you to extract the support and the two internal pins from the lodging.



To reposition the shelf guides

position them near the cavity and initially insert the two pins into their lodgings. Next, position the external part near its lodging, insert the support, and firmly press towards the wall of the cavity to make sure the shelf guide is properly secured.



To remove the door

1. Open the door fully.
2. Lift the catches and push them forwards as far as they will go (Fig. 1).

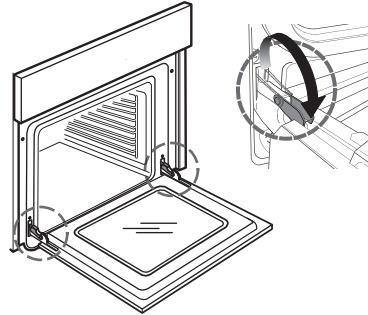


Fig. 1

3. Close the door as far as it will go (A), lift it up (B) and turn it (C) until it is released (D) (Fig. 2, 3, 4).

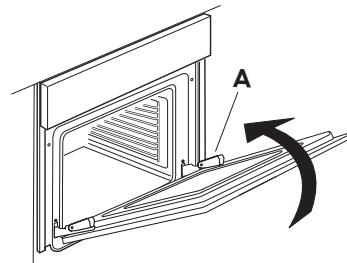


Fig. 2

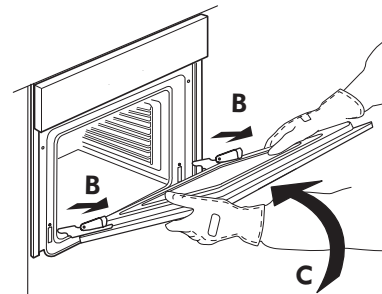


Fig. 3

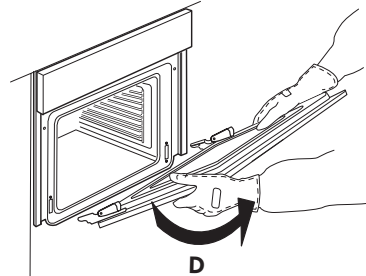


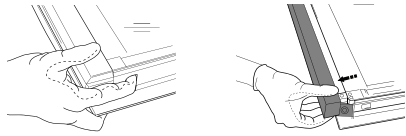
Fig. 4

To refit the door

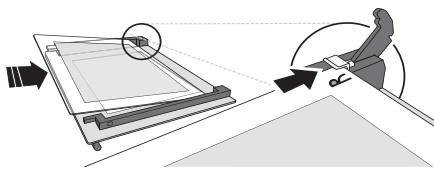
1. Insert the hinges in their seats.
2. Open the door fully.
3. Lower the two catches.
4. Close the door

Cleaning the glass

1. After removing the door and resting it on a soft surface with the handle downwards, simultaneously press the two retaining clips and remove the upper edge of the door by pulling it towards you.



2. Lift and firmly hold the inner glass with both hands, remove it and place it on a soft surface before cleaning it. Do the same operation for the intermediate glass.
3. To reposition both the intermediate and the internal glass properly, be sure that the "R" can be seen in the left corner. First insert the long side of the glass indicated by "R" into the support seats, then lower it into position.



4. Refit the upper edge: A click will indicate correct positioning. Make sure the seal is secure before refitting the door.

To replace the lamp

1. Disconnect the oven from the power supply.



Fig. 5

2. Unscrew the lamp cover (Fig. 5), replace the lamp (see note for lamp type) and screw the lamp cover back on.
3. Reconnect the oven to the power supply.

NOTE:

- Only use 25W/230 V type G9, T300°C halogen lamps.
- The lamp used in the appliance is specifically designed for electrical appliances and it is not suitable for household room illumination (Commission Regulation (EC) No 244/2009).
- Lamps are available from IKEA Authorized Service Centre.

What to do if ...

Problem	Possible cause	Solution
The oven does not work.	No presence of mains electrical power.	Verify the presence of mains electrical power.
	The oven is not connected to the electrical supply.	Connect the oven to the power supply.
	The oven selector is turned to "A".	Turn the oven selector and select a cooking function.

Before calling the Authorized Service Centre:

1. See if you can solve the problem yourself with the help of the suggestions given in the "What to do if ..." table.
2. Switch the appliance off and back on again it to see if the fault persists.
If after the above checks the fault still occurs, contact IKEA Authorized Service Centre.

Always specify:

- a brief description of the fault;
- the type and exact model of the oven;
- the service number (number after the word Service on the rating plate), located on the right hand edge of the oven cavity (visible when the oven door is open);

SERVICE 0000 000 00000



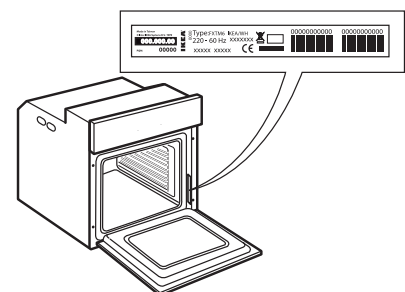
- your full address;
- your telephone number.

If any repairs are required, please contact IKEA Authorized Service Centre (to guarantee that original spare parts will be used and repairs carried out correctly).

Technical data

Type of product: Built-in Electrical Oven	
Model identification: MATÅLSKARE 205.082.53	
Number of cavities	1
Heat source	Electrical
Number of functions	6
Usable volume. Measured with any side grids and catalytic panels removed l	71
Area of the largest baking sheet cm ²	1191
Energy Efficiency Class (Lowest Consumption)	A
Energy Efficiency Index	95,3
Energy consumption Conventional function (with a standard load and top + bottom heating) kWh/cycle	0,99
Energy consumption Fan Forced function (with a standard load and forced air heating) kWh/cycle	0,81
Top heating element W	2500
Bottom heating element W	1150
Grill heating element W	2500
Fan heating element W	1800
Cooling fan W	15
Oven lamp W	25
Oven Fan Wattage W	22
Total rating W	2600-2900
Dimensions	
Width mm	595
Height mm	595
Depth mm	550
Mass of the appliance MATÅLSKARE stainless steel Kg	26

The technical informations are situated in the rating plate inside the appliance.



Installation

Door lock device

To open the door with the door lock device see Fig 1.

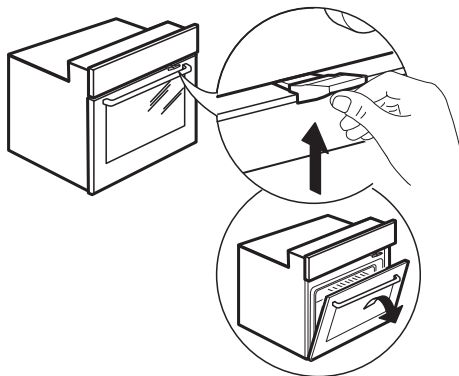


Fig. 1

The door safety device can be removed

by following the sequence of images (see Fig. 2).

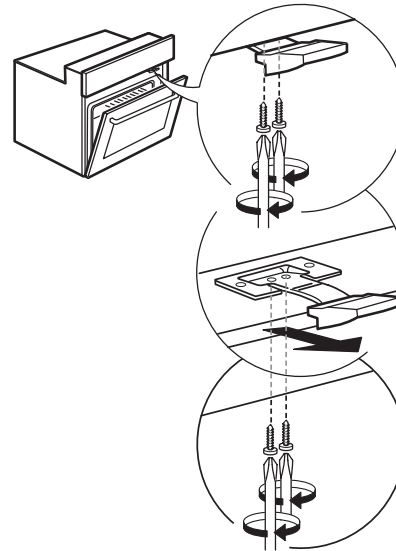


Fig. 2

Electrical connection

Make sure the power voltage specified on the appliance rating plate is the same as the mains voltage. The rating plate is on the front edge of the oven (visible when the door is open).

Power cable replacement (type H05 V2V2 x 1,5 mm²) must be carried out by a qualified electrician. Contact IKEA Authorized Service Centre.

Environmental concerns


⚠ WARNING! Ensure that the appliance is switched off and disconnected from the power supply before performing any maintenance operation - risk of electrical shock. Never use steam cleaning equipment.

⚠ Do not use harsh abrasive cleaners or metal scrapers to clean the door glass since they can scratch the surface, which may result in shattering of the glass.

⚠ Ensure the appliance is cooled down before any cleaning or maintenance. - risk of burn.


⚠ WARNING! Switch off the appliance before replacing the lamp - risk of electrical shock.

DISPOSAL OF PACKAGING MATERIALS

The packaging material is 100% recyclable and is marked with the recycle symbol.  The various parts of the packaging must therefore be disposed of responsibly and in full compliance with local authority regulations governing waste disposal.

SCRAPPING OF HOUSEHOLD APPLIANCES

This appliance is manufactured with recyclable or reusable materials. Dispose of it in accordance with local waste disposal regulations. For further information on the treatment, recovery and recycling of household electrical appliances, contact your local authority, the collection service for household waste or the store where you purchased the appliance. This appliance is marked in compliance with European Directive 2012/19/EU, Waste Electrical and Electronic Equipment (WEEE). By ensuring this product is disposed of correctly, you will help prevent negative consequences for the environment and human health.

The symbol  on the product or on the accompanying documentation indicates that it should not be treated as domestic waste but must be taken to an appropriate collection center for the recycling of electrical and electronic equipment.

ENERGY SAVING TIPS

Only preheat the oven if specified in the cooking table or your recipe. Use dark lacquered or enameled baking trays as they absorb heat better. Food requiring prolonged cooking will continue to cook even once the oven is switched off.

IKEA GUARANTEE

How long is the IKEA guarantee valid?

This guarantee is valid for five (5) years from the original date of purchase of your appliance at IKEA. The original sales receipt, is required as proof of purchase. If service work is carried out under guarantee, this will not extend the guarantee period for the appliance.

Who will execute the service?

IKEA service provider will provide the service through its own service operations or authorized service partner network.

What does this guarantee cover?

The guarantee covers faults of the appliance, which have been caused by faulty construction or material faults from the date of purchase from IKEA. This guarantee applies to domestic use only. The exceptions are specified under the headline "What is not covered under this guarantee?" Within the guarantee period, the costs to remedy the fault e.g. repairs, parts, labour and travel will be covered, provided that the appliance is accessible for repair without special expenditure. On these conditions the respective local regulations are applicable. Replaced parts become the property of IKEA.

What will IKEA do to correct the problem?

IKEA appointed Service Provider will examine the product and decide, at its sole discretion, if it is covered under this guarantee. If considered covered, IKEA Service Provider or its authorized service partner through its own service operations, will then, at its sole discretion, either repair the defective product or replace it with the same or a comparable product.

What is not covered under this guarantee?

- Normal wear and tear.
- Deliberate or negligent damage, damage caused by failure to observe operating instructions, incorrect installation or by connection to the wrong voltage, damage caused by chemical or electrochemical reaction, rust, corrosion or water damage including but not limited to damage caused by excessive lime in the water supply, damage caused by abnormal environmental conditions.
- Consumable parts including batteries and lamps.
- Non-functional and decorative parts which do not affect normal use of the appliance, including any scratches and possible color differences.
- Accidental damage caused by foreign objects or substances and cleaning or unblocking of filters, drainage systems or soap drawers.
- Damage to the following parts: ceramic glass, accessories, crockery and cutlery baskets, feed and drainage pipes, seals, lamps and lamp covers, screens, knobs, casings and parts of casings. Unless such damages can be proved to have been caused by production faults.
- Cases where no fault could be found during a technician's visit.
- Repairs not carried out by our appointed service providers and/or an authorized service contractual partner or where non-original parts have been used.
- Repairs caused by installation which is faulty or not according to specification.
- The use of the appliance in a non-domestic environment i.e. professional use.
- Transportation damages. If a customer transports the product to his home or another address, IKEA is not liable for any damage that may occur during transport. However, if IKEA delivers the product to the customer's delivery address, then damage to the product that occurs during this delivery will be covered by IKEA.
- Cost for carrying out the initial installation of the IKEA appliance.
- However, if an IKEA appointed Service Provider or its authorized service partner repairs or replaces the appliance under the terms of this guarantee, the appointed Service Provider or its authorized service partner will reinstall the repaired appliance or install the replacement, if necessary.
- All plumbing and electrical installation, are not the responsibility of IKEA, and customer must complete these work before the execution work.

How country law applies

The IKEA guarantee gives you specific legal rights, which cover or exceed all the local legal demands. However these conditions do not limit in any way consumer rights described in the local legislation.

Area of validity

This warranty is valid only in the country where the product has been purchased; the services will be provided in the framework of the guarantee conditions.

An obligation to carry out services in the framework of the guarantee exists only if the appliance complies and is installed in accordance with:

- the technical specifications of the country in which the guarantee claim is made;
- the Assembly Instructions and User Manual Safety Information.

The dedicated AFTER SALES for IKEA appliances

Please don't hesitate to contact IKEA appointed Authorized Service Centre to:

- make a service request under this guarantee;
- ask for clarifications on installation of the IKEA appliance in the dedicated IKEA kitchen furniture;
- ask for clarification on functions of IKEA appliances.

To ensure that we provide you with the best assistance, please read carefully the Assembly Instructions and/or the User Manual before contacting us.

How to reach us if you need our service



The IKEA after sales customer service center will assist you on the phone with basic Troubleshooting for your appliances at the time of service call request. Please refer to www.IKEA.com and select your local store for local store phone numbers and opening times.

i Before calling us, assure that You have to hand the IKEA article number (8 digit code) and the Serial Number (8 digit code that can be found on the rating plate) for the appliance of which you need our assistance.

i SAVE THE SALES RECEIPT!
It is your proof of purchase and required for the guarantee to apply. The sales receipt also reports the IKEA name and article number (8 digit code) for each of the appliances you have purchased.

Do you need extra help?

For any additional questions not related to After Sales of your appliances please contact your nearest IKEA store call centre. We recommend you read the appliance documentation carefully before contacting us.

Isi Kandungan

Maklumat Keselamatan	15	Perkara untuk dilakukan jika ...	21
Penerangan Produk	17	Data teknikal	22
Panel kawalan	17	Pemasangan	23
Penggunaan pertama	17	Sambungan elektrik	23
Penggunaan harian	17	Kebimbangan Persekitaran	23
Jadual memasak	18	JAMINAN IKEA	24
Pembersihan dan penyelenggaraan	20		

Maklumat Keselamatan

Sebelum menggunakan perkakas, baca arahan keselamatan ini. Simpannya untuk rujukan masa depan.

Arahan dan perkakas ini sendiri memberikan amaran keselamatan yang penting untuk dipatuhi pada setiap masa. Pengilang menolak sebarang tanggungjawab terhadap kegagalan untuk mematuhi arahan keselamatan ini, untuk penggunaan perkakas yang tidak sepatutnya atau penetapan kawalan yang salah.

AMARAN KESELAMATAN

⚠ Kanak-kanak yang sangat kecil (0-3 tahun) harus dijauhkan daripada perkakas. Kanak-kanak kecil (3-8 tahun) harus dijauhkan daripada perkakas melainkan diawasi secara berterusan. Kanak-kanak berusia 8 tahun dan ke atas dan individu yang kurang keupayaan fizikal, deria atau mental atau tiada pengalaman dan pengetahuan boleh menggunakan perkakas ini hanya jika mereka diawasi atau telah diberikan arahan tentang penggunaan yang selamat dan memahami bahaya yang terlibat. Kanak-kanak tidak patut bermain dengan perkakas. Pembersihan dan penyelenggaraan pengguna tidak patut dijalankan oleh kanak-kanak tanpa pengawasan.

⚠ **AMARAN!** Perkakas dan bahagian boleh capainya menjadi panas semasa penggunaan. Berhati-hati supaya tidak menyentuh elemen pemanasan. Kanak-kanak kurang daripada 8 tahun harus dijauhkan melainkan mereka diawasi secara berterusan.

⚠ **AMARAN!** Jangan sesekali meninggalkan perkakas semasa

pengeringan makanan. Jika perkakas sesuai untuk penggunaan percubaan, hanya gunakan suhu percubaan yang disyorkan untuk ketuhar ini - risiko kebakaran.

⚠ Jauhkan pakaian atau bahan mudah terbakar yang lain daripada perkakas sehingga semua komponen telah sejuk sepenuhnya - risiko kebakaran. Sentiasa berhati-hati semasa memasak makanan yang banyak lemak dan minyak atau semasa menambahkan minuman beralkohol - risiko kebakaran. Gunakan sarung tangan ketuhar untuk mengalihkan kualiti dan alat tambahan. Di hujung pemasakan, buka pintu dengan berhati-hati: membenarkan udara panas atau stim untuk keluar perlahan-lahan sebelum memeriksa lubang- risiko terbakar. Jangan menghalang bolong udara panas di hadapan ketuhar- risiko kebakaran.

⚠ Berhati-hati semasa pintu ketuhar terbuka atau ke bawah untuk mengelakkan terlanggar pintu.

PENGGUNAAN YANG DIBENARKAN

⚠ **AMARAN:** perkakas ini tidak bertujuan untuk dikendalikan oleh peranti pensuisan luaran, seperti penentu masa atau sistem kawalan jauh berasingan.

⚠ Perkakas ini bertujuan untuk digunakan di rumah dan penggunaan serupa seperti: kawasan dapur kakitangan di kedai, pejabat dan persekitaran bekerja yang lain; rumah ladang; oleh pelanggan di hotel, motel, penginapan & sarapan dan persekitaran kediaman yang lain.

⚠ Perkakas ini bukanlah untuk penggunaan profesional. Jangan gunakan perkakas di luar.

Tiada penggunaan lain yang dibenarkan (cth. bilik pemanasan).

⚠ Jangan simpan bahan letupan atau mudah bakar (cth. gasolin atau tin aerosol) di dalam atau berdekatan perkakas- risiko kebakaran.

PEMASANGAN

⚠ Perkakas mesti dikendalikan dan dipasang oleh dua atau lebih orang - risiko kecederaan. Gunakan sarung tangan untuk membuka bungkusan dan memasang - risiko terluka.

⚠ Pemasangan, termasuk sambungan bekalan air (jika ada) dan elektrik, dan pembaikan mesti dikendalikan oleh juruteknik yang bertauliah. Jangan baiki atau gantikan mana-mana bahagian perkakas melainkan dinyatakan secara khusus dalam manual pengguna. Jauhkan kanak-kanak dari tempat pemasangan. Selepas membuka bungkusan perkakas, pastikan perkakas tidak rosak semasa mengangkutnya. Sekiranya terdapat masalah, hubungi wakil pengedar atau Perkhidmatan Selepas Jualan berdekatan anda. Selepas dipasang, sampah pembungkusan (plastik, bahagian styrofoam dll.) mesti disimpan jauh daripada kanak-kanak - risiko lemas. Perkakas mesti dipisahkan daripada bekalan kuasa sebelum operasi pemasangan - risiko kejutan elektrik. Semasa pemasangan, pastikan perkakas tidak merosakkan kabel kuasa - risiko kebakaran atau kejutan elektrik. Hanya hidupkan perkakas apabila pemasangan telah lengkap.

⚠ Jalankan semua kerja pemotongan kabinet sebelum meletakkan perkakas ke dalam perabot dan alihkan semua serpihan kayu dan habuk gergaji. Jangan halang ruang minimum di antara permukaan kerja dan bucu bahagian atas ketuhar- risiko terbakar. Jangan alihkan ketuhar daripada bekas polistirenanya sehingga masa pemasangan.

⚠ Selepas pemasangan, bahagian bawah perkakas mestilah tidak boleh dicapai lagi - risiko terbakar.

⚠ Jangan pasang perkakas di belakang pintu hiasan- risiko kebakaran.

AMARAN ELEKTRIK

⚠ Plat penilaian terdapat pada bucu bahagian hadapan ketuhar (boleh dilihat apabila pintu dibuka).

⚠ Perkakas mesti boleh dipisahkan daripada bekalan kuasa dengan mencabut palam jika palam boleh dicapai atau dengan suis pelbagai kutub yang dipasang menentang arus soket dan perkakas mesti dibumikan, selaras dengan piawaian keselamatan elektrik kebangsaan.

⚠ Jangan gunakan wayar pemanjangan dan beberapa soket atau adapter. Komponen elektrik mestilah tidak boleh dicapai oleh pengguna selepas pemasangan.

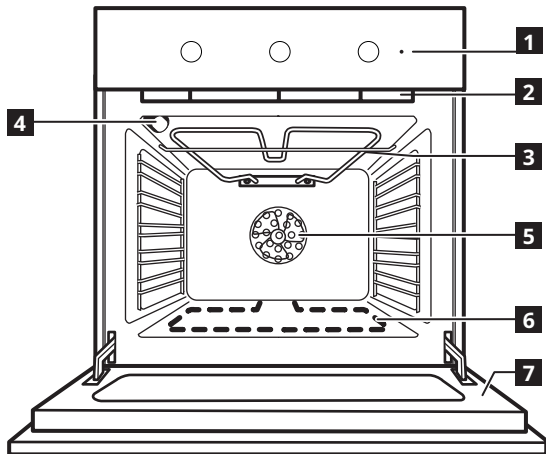
Jangan gunakan perkakas semasa anda basah atau berkaki ayam.

Jangan gunakan perkakas ini jika kabel atau palam kuasanya rosak, jika perkakas tidak berfungsi dengan betul, atau perkakas telah rosak atau terjatuh.

⚠ Jika kord bekalan rosak, kord tersebut mesti digantikan dengan kord yang sama oleh pengilang, ejen perkhidmatannya atau individu yang sama bertauliah untuk mengelakkan bahaya - risiko kejutan elektrik.

⚠ Sekiranya berlaku penggantian kabel kuasa, hubungi pusat perkhidmatan yang sah.

Penerangan Produk

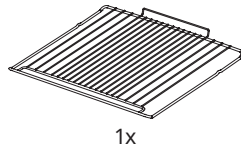
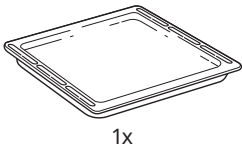


- 1 Panel kawalan
- 2 Kipas pendingin (tidak kelihatan)
- 3 Elemen gril
- 4 Lampu ketuhar
- 5 Kipas ketuhar
- 6 Elemen pemanasan bawah (tersembunyi)
- 7 Pintu ketuhar

Aksesori

Dulang pembakar

Rak Dawai



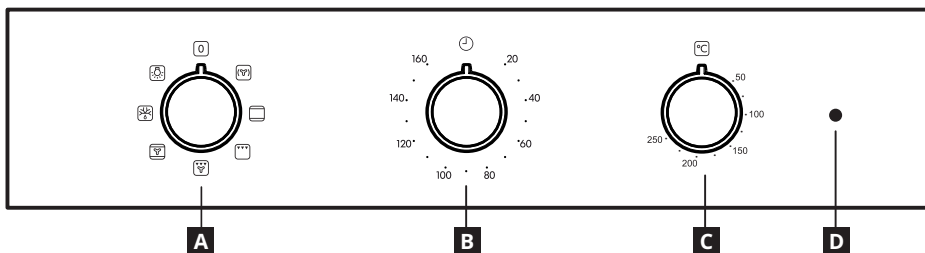
Memasukkan rak dawai dan aksesori lain

Masukkan rak dawai ke paras yang anda kehendaki dengan memegangnya seteg sedikit ke atas dan letakkan bahagian belakang yang diangkat (memandang ke atas) ke bawah dahulu. Kemudian, tolaknya secara melintang sejauh mungkin sepanjang susur rak.

Aksesori lain, seperti dulang pembakar, dimasukkan secara melintang dengan menolaknya sepanjang susur rak.

Jika anda ingin membeli aksesori, hubungi Pusat Perkhidmatan yang Sah.

Panel kawalan



- A Tombol pilihan
- B Tombol masa
- C Tombol termostat
- D Termostat led/prapemanasan

Penggunaan pertama

Alihkan aksesori daripada ketuhar dan panaskannya pada suhu 200° untuk lebih kurang sejam bagi menyingkirkan bau dan wasap daripada bahan penebatan dan minyak perlindungan.

Penggunaan harian

1. **Pilih fungsi**
Untuk memilih fungsi, putar *tombol pilihan* ke simbol untuk fungsi yang anda perlukan.
2. **Hidupkan/matikan ketuhar**
Untuk menghidupkan ketuhar, putar **A** Tombol ke fungsi yang diinginkan, untuk mematikan ketuhar, putar **A** tombol ke posisi "0".

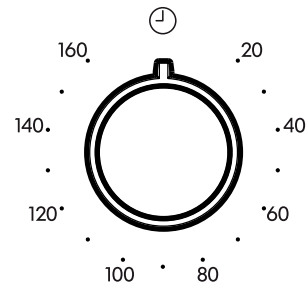
3. **Prapemanasan**
Apabila fungsi telah diaktifkan, termostat LED akan hidup menandakan proses prapemanasan telah bermula. Di akhir proses ini, termostat LED padam menandakan ketuhar telah mencapai suhu yang ditetapkan: Pada masa ini, masukkan makanan dan teruskan memasak.

Sila ambil perhatian: Memasukkan makanan ke dalam ketuhar sebelum prapemanasan tamat mungkin menyebabkan kesan buruk terhadap hasil masakan.

4. Menetapkan pemasa

Pilihan ini tidak mengganggu atau mendayakan masakan tetapi membenarkan anda menggunakan penjaga minit semasa fungsi aktif dan apabila ketuهار dimatikan.

Untuk mengaktifkan pemasa, putar *tombol pemasa* ke kanan dalam arah jam dan putarnya semula ke arah bertentangan ke tempoh yang diinginkan: isyarat berbunyi akan memberikan anda amaran apabila kiraan detik selesai.



Jadual fungsi ketuهار

Ketuهار mempunyai 5 tahap masakan. Kira ke atas dari tahap bawah.

Fungsi		Penerangan fungsi
0	KETUهار MATI	Untuk mematikan ketuهار.
	UDARA PAKSA	Untuk memasak makanan berbeza yang memerlukan suhu memasak yang sama pada beberapa rak (maksimum tiga) pada masa yang sama. Fungsi ini boleh digunakan untuk memasak makanan berbeza tanpa bau dipindahkan dari satu makanan ke yang lain.
	KONVENSIONAL (Haba Atas dan Bawah)	Untuk memasak apa-apa jenis hidangan pada satu rak sahaja. Penggunaan rak ke-2 adalah terbaik.
	PANGGANG	Untuk memanggang stik, kebab dan sosej, memasak sayur-sayuran secara au gratin atau membakar roti. Apabila memanggang daging, kami menyarankan penggunaan dulang titis penyalir untuk mengumpulkan air masakan : letakkan dulang pada mana-mana paras di bawah rak dawai dan tambahkan 200 ml air minuman.
	MEMANGGANG DENGAN KIPAS	Untuk memanggang daging potongan besar (peha, daging lembu panggang, ayam). Kami menyarankan penggunaan dulang titis penyalir untuk mengumpulkan air masakan : letakkan dulang pada mana-mana paras di bawah rak dawai dan tambahkan 500 ml air minuman.
	MEMBAKAR BIASA	Untuk membuat kek dengan inti berjus pada satu rak. Fungsi ini juga boleh digunakan untuk memasak pada dua rak. Tukar kedudukan hidangan untuk memasak makanan dengan lebih sama rata.
	CAIR BEKU	Untuk mencair beku makanan dengan lebih pantas. Letakkan makanan di bahagian tengah, paras 3
	LAMPU	Untuk menghidupkan lampu di bahagian dalam.

Jadual memasak

Jenis makanan	Fungsi	Prapemanasan	Paras (dari bawah)	Suhu (°C)	Masa memasak (min)
KUIH, PASTRI DLL					
Kek naik		X	2	150-170	30-90
		X	4-1	160-180	30-90
Pai berinti (kek keju, strudel, pai buah-buahan)		X	2	160-200	35-90
		X	4-2	160-200	40-90
Biskut/tart kecil		X	2/3	160-180	15-40
		X	4-2/5-3-1	150-170	20-45
Roti ban choux		X	2	180-200	40-60
		X	4-2	170-190	35-50
Meringue		X	2	90	150-200
		X	4-2/5-3-1	90	140-200

Jenis makanan	Fungsi	Prapemanasan	Paras (dari bawah)	Suhu (°C)	Masa memasak (min)
Roti/piza/roti pita		X	1/2	220-250	10-40
		X	4-2	200-240	20-30
Piza beku		X	2	250	10-30
		X	4-2	230-250	10-30
Pai savuri (pai sayur-sayuran, quiche)		X	2	180-200	30-50
		X	4-2/5-3-1	180-200	30-60
Vols-au-vent /Biskut pastris lapis		X	2	190-200	20-30
		X	4-2/5-3-1	180-190	20-40
Lasagna, pasta bakar, cannelloni, flan		X	2	190-200	45-65
Lasagna & Dagingt		X	4-2	200	50-100***
Daging & Kentang		X	4-1	190-200	45-100***
Ikan & Sayur-sayuran		X	4-1	180	30-50***
Hidangan lengkap Tart buah-buahan (Paras 5) / Lasagna (Paras 3) / Daging (Paras 1)		X	5-3-1	180-190	40-120***
DAGING					
Daging Panggang 2 kg		X	2	180-190	110-150
Daging Kambing/Anak Lembu/Lembu 1Kg		X	2	190-200	80-120
Daging Ayam/Arnab/Itik 1Kg		X	2	200-230	50-100
Daging Ayam Belanda/ Angsa 3Kg		X	2	180-200	150-200
IKAN					
Ikan bakar/en papillote 0.5Kg (sekeping, seekor)		X	2	170-190	30-50
SAYUR-SAYURAN					
Sayur-sayuran sumbat (tomato, timun, terung)		X	2	180-200	50-70

Jadual memasak dengan fungsi PANGGANG

Bakar		5'	5	250	2-6
Kepingan/potongan ikan		5'	4/3	250	15-30*
Sosej/kebab/tulang rusuk/burger		5'	5/4	250	15-30*
Peha/betis kambing		-	3	200-220	60-90**
Gratin sayur-sayuran		-	3	200-220	30-60**
Kentang panggang		-	3	200-220	30-60**
Ayam panggang 1-1.3 Kg		-	3	200-220	60-90**
Daging lembu panggang mentah 1Kg		-	3	200-220	30-60**

Nota: suhu dan masa memasak adalah untuk panduan sahaja.

* Pusing makanan semasa setengah masak

** Pusing makanan semasa dua per tiga masak (jika perlu).

***Tempoh masa anggaran: hidangan boleh dikeluarkan daripada ketuhar pada masa berbeza bergantung kepada keutamaan peribadi.

Pembersihan dan penyelenggaraan

PEMBERSIHAN

⚠️ AMARAN!

- Jangan sesekali menggunakan kelengkapan pembersihan stim.
- Hanya bersihkan ketuhar apabila ketuhar sejuk untuk disentuh.
- Pisahkan perkakas daripada bekalan kuasa.

Luaran ketuhar

ⓘ PENTING: jangan gunakan bahan cuci yang mengakis atau pelepas. Jika mana-mana produk ini terkena perkakas, bersihkan serta-merta dengan kain lembap.

- Bersihkan permukaan dengan kain lembap. Jika permukaan terlalu kotor, tambahkan beberapa titis bahan cuci dengan air. Habiskan pembersihan dengan kain kering.

Dalam ketuhar

ⓘ PENTING: jangan gunakan span mengakis atau pengikis atau berus dawai. Selepas sekian lama, ini boleh merosakkan permukaan enamel dan cermin pintu ketuhar.

- Selepas setiap penggunaan, biarkan ketuhar menyejuk kemudian lebih baik bersihkannya semasa masih suam untuk menanggalkan kotoran yang disebabkan oleh sisa makanan (cth. makanan bergula).
- Gunakan bahan cuci ketuhar yang betul dan ikut arahan pengilang dengan teliti.
- Bersihkan cermin pintu dengan bahan cuci cecair yang sesuai. Pintu ketuhar boleh dialihkan untuk membantu pembersihan (lihat PENYELENGGARAAN). Cermin di bahagian dalam adalah lembut untuk membantu pembersihan.

NOTA: semasa memasak berlarutan makanan dengan kandungan air yang tinggi (cth. piza, sayur-sayuran dll.) kondensasi mungkin terbentuk di bahagian dalam pintu dan sekitar adangan. Apabila ketuhar sejuk, keringkan bahagian dalam pintu dengan kain atau span.

Aksesori

- Rendam aksesori dalam air dengan bahan cuci sebaik selepas penggunaan, kendalikannya dengan sarung tangan ketuhar jika masih panas.
- Sisa makanan boleh dibuang dengan mudah menggunakan berus atau span.

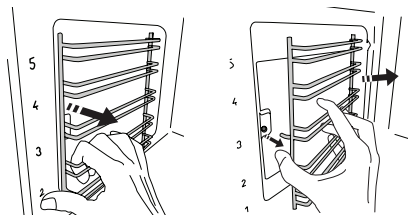
PENYELENGGARAAN

⚠️ AMARAN!

- Gunakan sarung tangan keselamatan.
- Pastikan ketuhar sejuk sebelum menjalankan operasi berikut.
- Pisahkan ketuhar daripada bekalan kuasa.

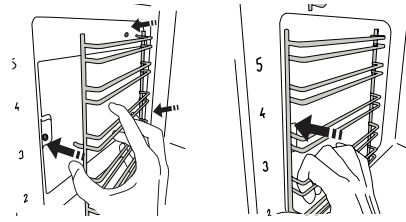
Untuk mengalihkan susur rak

pegang bahagian luaran susur dengan kuat, dan tariknya ke arah anda untuk mencabut sokongannya dan dua pin dalaman daripada tempatnya.



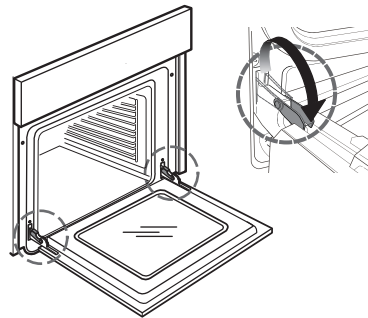
Untuk meletakkan semula susur rak

letakannya berdekatan ruang dan mula-mula masukkan dua pin ke tempatnya. Kemudian, letakkan bahagian luaran berdekatan tempatnya, masukkan sokongan dan tekan dengan kuat ke arah dinding ruang untuk memastikan susur rak disematkan dengan betul.



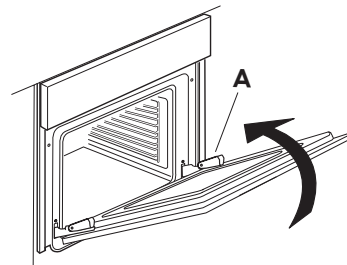
Untuk mengalihkan pintu

1. Buka pintu sepenuhnya.
2. Angkat selak dan tolaknya ke depan sejauh yang mungkin (Gambar rajah 1).

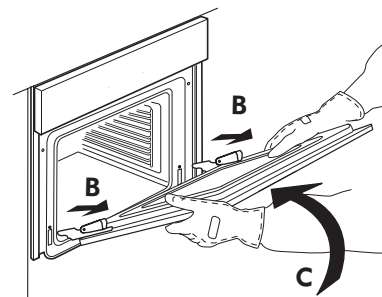


Gambar rajah 1

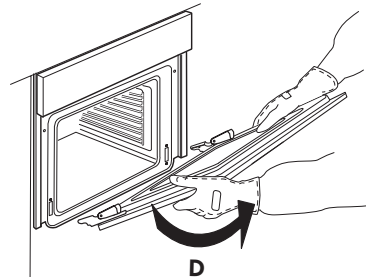
3. Tutup pintu sejauh yang mungkin (A), angkatnya (B) dan pusingnya (C) sehingga pintu tercabut (D) (Gambar rajah 2, 3, 4).



Gambar rajah 2



Gambar rajah 3



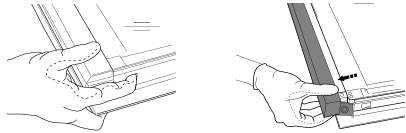
Gambar rajah 4

Untuk memasang semula pintu

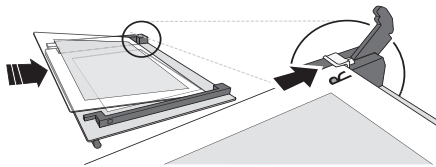
1. Masukkan engsel di tempatnya.
2. Buka pintu sepenuhnya.
3. Turunkan kedua-dua selak.
4. Tutup pintu

Membersihkan cermin

1. Selepas mengalih pintu dan meletakkannya di atas permukaan lembut dengan pemegangnya ke bawah, pada masa yang sama tekan dua klip pemegang dan alihkan bucu di bahagian atas pintu dengan menariknya ke arah anda.



2. Angkat dan pegang bahagian dalam cermin dengan kuat menggunakan kedua-dua tangan, alihkannya dan letakkannya di atas permukaan yang lembut sebelum membersihkannya. Lakukan operasi yang sama untuk cermin pertengahan.
3. Untuk meletakkan semula kedua-dua cermin pertengahan dan cermin bahagian dalam dengan betul, pastikan "R" boleh dilihat di bucu sebelah kiri. Mula-mula masukkan bahagian panjang cermin yang ditandakan "R" ke tempat sokongan, kemudian turunkannya ke tempatnya.



4. Pasangkan semula bucu sebelah atas: Klik akan menandakan kedudukan yang betul. Pastikan adangan tersemat sebelum memasang semula pintu.

Untuk menggantikan lampu

1. Pisahkan ketuhar daripada bekalan kuasa.



Gambar rajah 5

2. Buka skru penutup lampu (Gambar rajah 5), gantikan lampu (lihat nota untuk jenis lampu) dan pasang semula skru penutup lampu.
3. Sambungkan semula ketuhar dengan bekalan kuasa.

NOTA:

- Hanya gunakan lampu halogen 25W/230 V jenis G9, T300°C .
- Lampu yang digunakan dalam perkakas direka khas untuk perkakas elektrik dan tidak sesuai untuk pencahayaan bilik di rumah (Peraturan Suruhanjaya (EC) No 244/2009).
- Lampu terdapat di Pusat Perkhidmatan IKEA yang Sah.

Perkara untuk dilakukan jika ...

Masalah	Sebab yang mungkin	Penyelesaian
Ketuhar tidak berfungsi.	Tiada kuasa elektrik sesalur.	Sahkan kehadiran kuasa elektrik sesalur.
	Ketuhar tidak disambungkan ke bekalan elektrik.	Sambungkan ketuhar ke bekalan elektrik.
	Pemilih ketuhar diputar ke "☺".	Putarkan pemilih ketuhar dan pilih fungsi memasak.

Sebelum menghubungi Pusat Perkhidmatan yang Sah:

1. Lihat jika anda boleh menyelesaikan masalah sendiri dengan bantuan cadangan yang diberiksan dalam jadual "Perkara untuk dilakukan jika ...".
2. Matikan perkakasa dan hidupkannya semula untuk melihat jika ralat berterusan. Jika selepas semakan di atas, ralat masih berlaku, hubungi Pusat Perkhidmatan IKEA yang Sah.

Sentiasa nyatakan:

- penerangan ringkas ralat;
- jenis dan model ketuhar dengan tepat;
- nombor perkhidmatan (nombor selepas perkataan Perkhidmatan pada plat penilaian), terletak di bahagian bucu kanan ruang ketuhar (boleh dilihat apabila pintu ketuhar dibuka);

SERVICE 0000 000 00000



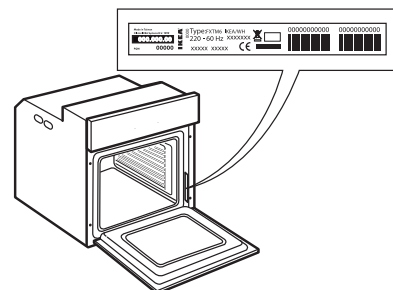
- alamat penuh anda;
- nombor telefon anda.

Jika sebarang pembaikan diperlukan, sila hubungi Pusat Perkhidmatan IKEA yang Sah (untuk menjamin yang alat ganti asli akan digunakan dan pembaikan dilakukan dengan betul).

Data teknikal

Jenis produk: Ketuhar Elektrik Terbina Dalam	
Identiti model: MATÅLSKARE 205.082.53	
Bilangan ruang	1
Sumber haba	Elektrik
Bilangan fungsi	6
Isipadu yang boleh digunakan. Diukur apabila mana-mana grid sisi dan panel pemangkin dialih I	7l
Permukaan terbesar untuk dulang pembakar cm ²	1191
Kelas Kecekapan Tenaga (Penggunaan Paling Rendah)	A
Indeks Kecekapan Tenaga	95,3
Penggunaan tenaga Fungsi konvensional (dengan muatan biasa dan pemanasan bahagian atas + bawah) kWh/cycle	0,99
Penggunaan tenaga Fungsi Kipas Paksa (dengan muatan biasa dan pemanasan udara paksa) kWh/kitaran	0,81
Elemen pemanasan bahagian atas W	2500
Elemen pemanasan bahagian bawah W	1150
Elemen pemanasan gril W	2500
Elemen pemanasan kipas W	1800
Kipas pendingin W	15
Lampu ketuhar W	25
Wattan Kipas Ketuhar W	22
Penilaian keseluruhan W	2600-2900
Dimensi	
Kelebaran mm	595
Ketinggian mm	595
Kedalaman mm	550
Jisim perkakas MATÅLSKARE keluli tahan karat Kg	26

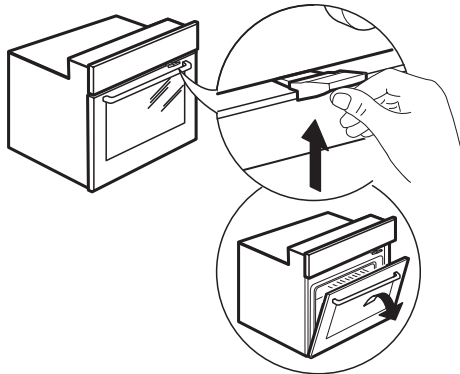
Maklumat teknikal terletak di plat penilaian di dalam perkakas.



Pemasangan

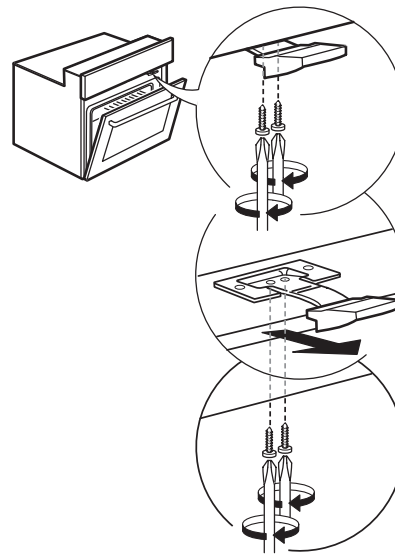
Peranti kunci pintu

Untuk membuka pintu dengan peranti kunci pintu lihat Gambar rajah 1.



Gambar rajah 1

Peranti keselamatan pintu boleh dialih dengan mengikut urutan imej (lihat Gambar rajah 2).



Gambar rajah 2

Sambungan elektrik

Pastikan voltan kuasa yang dinyatakan pada plat penilaian perkakas sama dengan voltan sesalur. Plat penilaian terdapat pada bucu bahagian hadapan ketuhar (boleh dilihat apabila pintu dibuka).

Penggantian kabel kuasa (jenis H05 V2V2 x 1,5 mm²) mesti dilakukan oleh juruelektrik yang bertauliah. Hubungi Pusat Perkhidmatan IKEA yang Sah.

Kebimbangan Persekitaran


⚠ AMARAN! Pastikan perkakas dimatikan dan dipisahkan daripada bekalan kuasa sebelum menjalankan apa-apa operasi penyelenggaraan - risiko kejutan elektrik. Jangan sesekali menggunakan kelengkapan pembersihan stim.

⚠ Jangan gunakan bahan cuci mengakis yang kuat atau pengikis dawai untuk membersihkan cermin kerana bahan tersebut boleh mencalarkan permukaan yang mungkin menyebabkan cermin pecah.

⚠ Pastikan perkakas sudah sejuk sebelum melakukan apa-apa pembersihan atau penyelenggaraan. - risiko melecur.



⚠ AMARAN! Matikan perkakas sebelum menggantikan lampu - risiko kejutan elektrik.

PEMBUANGAN BAHAN PEMBUNGKUSAN

Bahan pembungkusan adalah 100% boleh dikitar semula dan ditandakan dengan simbol kitar semula.  Bahagian pembungkusan yang berbeza mesti dibuang dengan bertanggungjawab dan mengikut peraturan bidang kuasa tempatan berkenaan pembuangan sampah.

PEMBUANGAN PERKAKAS RUMAH

Perkakas ini dibuat daripada bahan yang boleh dikitar semula atau digunakan semula. Buangnya mengikut peraturan pembuangan sampah tempatan. Untuk maklumat lanjut tentang pengendalian, pemulihan dan pengitaran semula perkakas elektrik rumah, hubungi pihak berkuasa tempatan anda, perkhidmatan pengumpulan sisa rumah atau kedai tempat anda membeli perkakas ini. Perkakas ini ditanda mengikut Arahan Eropah 2012/19/EU, Sisa Kelengkapan Elektrik dan Elektronik (WEEE). Dengan memastikan produk ini dibuang dengan betul, anda akan membantu mengelakkan kesan negatif terhadap alam sekitar dan kesihatan manusia.

 Simbol  pada produk atau dokumen yang disertakan menunjukkan yang perkakas ini tidak patut dianggap sebagai sisa domestik tetapi mesti dibawa ke pusat pengumpulan yang sesuai untuk mengitar semula kelengkapan elektrik atau elektronik.

PETUA MENJIMATKAN TENAGA

Hanya prapanaskan ketuhar jika dinyatakan dalam jadual memasak atau resipi anda. Gunakan dulang pembakar yang dicat atau berenamel gelap kerana haba diserap dengan lebih baik. Makanan yang memerlukan pemasakan berlarutanakan terus dimasak walaupun setelah ketuhar dimatikan.

JAMINAN IKEA

Berapa lamakah jaminan IKEA sah digunakan?

Jaminan ini sah selama lima (5) tahun dari tarikh pembelian perkakas anda di IKEA. Resit pembelian asal diperlukan sebagai bukti pembelian. Jika kerja servis dijalankan di bawah jaminan, tempoh jaminan perkakas tidak akan dilanjutkan.

Siapakah yang akan menjalankan servis?

Pembekal servis IKEA akan memberikan servis menerusi operasi servisnya sendiri atau rangkaian rakan kongsi servis yang sah.

Apakah yang diliputi oleh jaminan ini?

Jaminan ini termasuk kerosakan perkakas yang disebabkan oleh kecacatan pembinaan atau kecacatan bahan dari tarikh pembelian daripada IKEA. Jaminan ini hanya diguna pakai untuk kegunaan domestik sahaja. Pengecualian ada dinyatakan di bawah tajuk "Apakah yang tidak termasuk dalam jaminan ini?" Dalam tempoh jaminan, kos untuk membaiki kerosakan contohnya pembaikan, alat ganti, tenaga kerja dan perjalanan adalah termasuk. Dengan syarat, perkakas tersebut boleh dibaiki tanpa memerlukan perbelanjaan khusus. Atas syarat ini, peraturan tempatan akan diguna pakai. Bahagian yang digantikan adalah menjadi hak IKEA.

Apakah yang akan IKEA lakukan untuk membetulkan masalah?

Pembekal Servis yang dilantik oleh IKEA akan memeriksa produk dan menentukan, atas budi bicaranya, jika masalah diliputi di bawah jaminan ini. Jika dianggap diliputi, Pembekal Servis IKEA atau rakan kongsinya yang sah menerusi operasi servisnya sendiri, akan kemudian, atas budi bicaranya, sama ada membaiki produk yang rosak atau menggantikannya dengan produk yang sama atau setanding dengannya.

Apakah yang tidak diliputi oleh jaminan ini?

- Susut nilai biasa.
- Kerosakan yang sengaja atau disebabkan oleh kecuaiannya, kerosakan yang disebabkan oleh kegagalan untuk mematuhi arahan operasi, pemasangan yang salah atau dengan menyambungkan ke voltan yang salah, kerosakan yang disebabkan oleh tindak balas kimia atau elektrokimia, karat, hakisan atau kerosakan oleh air termasuk tetapi tidak terhad kepada kerosakan yang disebabkan oleh kapur berlebihan dalam bekalan air, kerosakan yang disebabkan oleh keadaan persekitaran yang luar biasa.
- Bahagian guna habis termasuk bateri dan lampu.
- Bahagian yang tidak berfungsi dan hiasan yang tidak menjejaskan penggunaan biasa perkakas, termasuk calar dan kemungkinan perbezaan warna..
- Kerosakan tidak sengaja yang disebabkan oleh bendasing dan pembersihan penapis, sistem kumbahan atau penarik sabun.
- Kerosakan terhadap bahagian berikut: gelas seramik, aksesori, pinggan mangkuk dan bakul sudu garpu, paip suapan dan kumbahan, adangan, lampu dan penutup lampu, skrin, tombol, rangka dan bahagian rangka. Melainkan kerosakan tersebut boleh dibuktikan berlaku disebabkan oleh kerosakan pengeluaran.
- Sekiranya tiada kerosakan ditemui semasa lawatan juruteknik.
- Pembaikan tidak dijalankan oleh pembekal servis yang kami lantik dan/atau rakan kongsi kontrak servis yang sah atau alat ganti yang tidak asli digunakan.
- Pembaikan disebabkan oleh pemasangan yang salah atau tidak mengikut spesifikasi.
- Penggunaan perkakas di persekitaran yang bukan domestik iaitu penggunaan profesional.
- Kerosakan pengangkutan. Jika pelanggan mengangkut produk ke rumahnya atau alamat lain, IKEA tidak bertanggungjawab terhadap sebarang kerosakan yang mungkin berlaku semasa pengangkutan. Walau bagaimanapun, jika IKEA menghantar produk alamat penghantaran pelanggan, kerosakan terhadap produk yang berlaku semasa penghantaran ini akan diliputi oleh IKEA.
- Kos untuk menjalankan pemasangan awal perkakas IKEA .

- Walau bagaimanapun, jika Pembekal Servis yang dilantik IKEA atau rakan kongsi servisnya yang sah membaiki atau mengganti perkakas di bawah terma jaminan ini, Pembekal Servis yang dilantik atau rakan kongsi servisnya yang sah akan memasang semula perkakas yang dibaiki atau memasang perkakas ganti, jika perlu.
- Semua pemasangan sistem paip dan elektrik bukanlah tanggungjawab IKEA. Pelanggan perlu melengkapkan kerja berikut sebelum kerja pemasangan.

Cara undang-undang negara digunakan

Jaminan IKEA memberikan anda hak guaman tertentu yang meliputi atau melangkaui semua permintaan guaman tempatan. Walau bagaimanapun, syarat ini tidak mengehendak hak pengguna sekalipun seperti yang diterangkan dalam undang-undang tempatan.

Kawasan kesahan

Waranti ini hanya sah di negara tempat produk ini dibeli; servis akan diberikan dalam rangka kerja syarat jaminan. Kewajipan untuk menjalankan servis dalam rangka kerja jaminan hanya wujud jika perkakas mematuhi dan dipasang mengikut:

- spesifikasi teknikal negara tempat tuntutan jaminan dibuat;
- Arahan Pemasangan dan Maklumat Keselamatan Manual Pengguna.

SELEPAS JUALAN yang berdedikasi untuk perkakas IKEA

Sila jangan teragak-agak untuk menghubungi Pusat Perkhidmatan Sah yang dilantik IKEA untuk:

- membuat permintaan servis di bawah jaminan ini;
- meminta penjelasan mengenai pemasangan perkakas IKEA dalam perabot dapur IKEA yang tertentu;
- meminta penjelasan mengenai fungsi perkakas IKEA.

Untuk memastikan kami memberikan anda bantuan terbaik, sila baca Arahan Pemasangan dan/atau Manual Pengguna dengan teliti sebelum menghubungi kami .

Cara menghubungi kami jika anda memerlukan perkhidmatan kami



Pusat khidmat pelanggan selepas jualan IKEA akan membantu anda menyelesaikan masalah perkakas anda melalui telefon pada masa permintaan untuk panggilan servis. Sila rujuk www.IKEA.com ilih gedung tempatan anda untuk nombor telefon gedung tempatan dan masa operasi.

i Sebelum menghubungi kami, pastikan bahawa anda mempunyai nombor artikel IKEA (kod 8 digit) dan Nombor Siri (kod 8 digit yang boleh ditemui pada plat penarafan) untuk perkakasan yang anda perlukan bantuan kami.

i **SIMPAN RESIT JUALAN!** Resit merupakan bukti pembelian dan diperlukan untuk menggunakan jaminan. Resit jualan juga melaporkan nama IKEA dan nombor artikel (kod 8 digit) untuk setiap perkakas yang anda beli.

Adakah anda memerlukan bantuan tambahan?

Untuk sebarang soalan yang tidak berkaitan dengan Selepas Jualan perkakas anda, sila hubungi pusat panggilan kedai IKEA berhampiran anda. Kami mengesyorkan anda membaca dokumen perkakas dengan teliti sebelum menghubungi kami.

สารบัญ

ข้อมูลด้านความปลอดภัย	25	ต้องทำอะไรหาก ...	31
รายละเอียดผลิตภัณฑ์	27	ข้อมูลทางเทคนิค	32
แพคเกจ	27	การติดตั้ง	33
การใช้งานครั้งแรก	27	การเชื่อมต่อทางไฟฟ้า	33
การใช้งานประจำวัน	27	ความกังวลด้านสิ่งแวดล้อม	33
ตารางการบำรุงรักษา	28	การรับประกันของอิกีย	34
การทำความสะอาดและการบำรุงรักษา	30		

ข้อมูลด้านความปลอดภัย

ก่อนใช้เครื่อง โปรดอ่านคำแนะนำด้านความปลอดภัยเหล่านี้ เก็บคู่มือไว้ใกล้ ๆ เพื่อใช้อ้างอิงในอนาคต คำแนะนำเหล่านี้ และตัวเครื่องมีคำเตือนเพื่อความปลอดภัยที่สำคัญ ซึ่งต้องปฏิบัติตามตลอดเวลา ผู้ผลิตปฏิเสธความรับผิดชอบใด ๆ หากไม่ปฏิบัติตามคำแนะนำด้านความปลอดภัยเหล่านี้ สำหรับการใช้เครื่องอย่างไม่เหมาะสมหรือการตั้งค่าการควบคุมไม่ถูกต้อง

คำเตือนเพื่อความปลอดภัย

⚠ เด็กเล็กมาก (0-3 ปี) ควรอยู่ห่างจากเครื่อง เด็กเล็ก (3-8 ปี) ควรอยู่ห่างจากเครื่อง ยกเว้นได้รับการควบคุมดูแลตลอดเวลา เด็กที่มีอายุ 8 ปีขึ้นไป และบุคคลที่ด้อยความสามารถทางกายภาพ ทางประสาทสัมผัส หรือทางจิตใจ หรือขาดประสบการณ์และความรู้จะสามารถใช้เครื่องนี้ได้ก็ต่อเมื่อได้รับการดูแล หรือได้รับคำแนะนำในการใช้งานอย่างปลอดภัย และเข้าใจอันตรายที่เกี่ยวข้อง เด็กไม่ควรเล่นกับเครื่อง เด็กต้องไม่ทำความสะอาด และบำรุงรักษาเครื่องโดยไม่ได้รับการควบคุมดูแล

⚠ **คำเตือน!** เครื่องใช้ไฟฟ้าและชิ้นส่วนที่สามารถเข้าถึงได้จะร้อนในขณะที่ใช้งาน ควรใช้ความระมัดระวังเพื่อหลีกเลี่ยงการสัมผัสตัวทำความร้อน เด็กที่มีอายุน้อยกว่า 8 ปี ควรอยู่ห่างจากเครื่อง ยกเว้นได้รับการควบคุมดูแลตลอดเวลา

⚠ **คำเตือน!** อย่าปล่อยให้เครื่องทำงานโดยไม่มีผู้ดูแลในระหว่างการอบแห้งอาหาร หากเครื่องเหมาะสำหรับการใช้หิววัด ให้ใช้หิววัดอุณหภูมิที่แนะนำสำหรับเตาอบนี้เท่านั้นเพราะเสี่ยงต่อการเกิดไฟไหม้

⚠ เก็บเสื้อผ้า หรือวัตถุไวไฟอื่น ๆ ให้ห่างจากเครื่อง จนกว่าส่วนประกอบทั้งหมดจะเย็นตัวลงเพราะเสี่ยงต่อการเกิดไฟไหม้ ระวังระมัดระวังเสมอเมื่อปรุงอาหารที่เต็มไปด้วยไขมัน น้ำมัน หรือเมื่อเติมเครื่องดื่มแอลกอฮอล์เพราะเสี่ยงต่อการเกิดไฟไหม้ ใช้ถุงมือสำหรับเตาอบในการนำถาดอบและอุปกรณ์อื่น ๆ ออกจากเตา เมื่อสิ้นสุดการปรุงอาหาร ให้เปิดประตูเตาอบด้วยความระมัดระวัง ปล่อยให้อากาศร้อนหรือไอน้ำค่อย ๆ ระบายออกก่อนยื่นมือเข้าไปในเตาอบเพราะเสี่ยงต่อการไหม้ อย่ากีดขวางช่องระบายอากาศร้อนที่ด้านหน้าเตาอบเพราะเสี่ยงต่อการเกิดไฟไหม้

⚠ ใช้ความระมัดระวังเมื่อประตูเตาอบเปิด หรือเปิดออกจนสุดเพื่อหลีกเลี่ยงการชนประตู

การใช้งานที่ได้รับอนุญาต

⚠ **ข้อควรระวัง** เครื่องใช้ไฟฟ้าไม่ได้มีวัตถุประสงค์

ให้ใช้งานโดยอาศัยอุปกรณ์สวิตซ์ซึ่งภายนอก เช่น เครื่องตั้งเวลา หรือระบบควบคุมระยะไกลแยกต่างหาก

⚠ เครื่องใช้ไฟฟ้ามีวัตถุประสงค์ให้ใช้งานภายในบ้าน และการใช้งานอื่น ๆ ที่คล้ายกัน เช่น พื้นที่ประกอบอาหารของพนักงานในร้านค้า สำนักงาน และสถานที่ปฏิบัติงานอื่น ๆ บ้านไร่ ใช้งานโดยลูกค้าในโรงแรม โมเต็ล ที่พักประเภทห้องพักรวมอาหารเช้า และสภาพแวดล้อมที่เป็นแบบที่พักต่าง ๆ

⚠ เครื่องนี้ไม่เหมาะสำหรับการใช้งานในระดับมืออาชีพ ห้ามใช้เครื่องกลางแจ้ง

ไม่อนุญาตให้ใช้งานอื่น ๆ (เช่น การให้ความร้อนภายในห้อง)

⚠ อย่าเก็บวัตถุระเบิด หรือวัตถุไวไฟ (เช่น น้ำมัน เบนซิน หรือกระป๋องสเปรย์) ไว้ภายใน หรือใกล้เครื่อง เพราะเสี่ยงต่อการเกิดไฟไหม้

การติดตั้ง

⚠ ต้องจัดการ และติดตั้งเครื่องโดยบุคคลตั้งแต่สองคนขึ้นไปเพราะเสี่ยงต่อการบาดเจ็บ ใช้ถุงมือป้องกันในการแกะบรรจุภัณฑ์ และติดตั้งเพราะอาจบาดเจ็บได้

⚠ การติดตั้ง รวมถึงการเชื่อมต่อน้ำประปา (ถ้ามี) และการเชื่อมต่อทางไฟฟ้า อีกทั้งการซ่อมแซมจะต้องดำเนินการโดยช่างผู้ชำนาญการ ห้ามซ่อมแซม หรือเปลี่ยนชิ้นส่วนใด ๆ ของเครื่อง เว้นแต่จะระบุไว้เป็นพิเศษในคู่มือการใช้งาน ควรให้เด็กอยู่ห่างจากบริเวณที่ติดตั้งเครื่อง หลังจากนำเครื่องออกจากกล่อง ตรวจสอบให้แน่ใจว่าเครื่องไม่มีความเสียหายในระหว่างการขนส่ง ในกรณีที่เกิดปัญหา โปรดติดต่อตัวแทนจำหน่าย หรือฝ่ายบริการหลังการขายใกล้บ้าน เมื่อติดตั้งเครื่องแล้ว ต้องเก็บขยะบรรจุภัณฑ์ (พลาสติก ชิ้นส่วนโฟม ฯลฯ) ให้พ้นมือเด็กเพราะเสี่ยงต่อการบาดเจ็บจากอากาศหายใจ ต้องถอดปลั๊กเครื่องจากแหล่งจ่ายไฟก่อนดำเนินการติดตั้งใด ๆ เพราะเสี่ยงต่ออันตรายจากไฟฟ้าดูด ในระหว่างการติดตั้ง ตรวจสอบให้แน่ใจว่าเครื่องไม่ทำให้สายไฟเสียหายเพราะเสี่ยงต่อการเกิดไฟไหม้ หรืออันตรายจากไฟฟ้าดูด เปิดใช้งานเครื่องเมื่อการติดตั้งเสร็จสิ้นแล้วเท่านั้น

⚠ ดำเนินการตัดแผ่นตู้ครัวทั้งหมด และนำเศษไม้รวมทั้งขี้เลื่อยออกให้หมดก่อนที่จะติดตั้งเครื่องในชุดเพอร์นิเจอร์ครัว

อย่ากีดขวางช่องว่างต่ำสุดระหว่างท็อปครัว และขอบ

ด้านบนของเตาอบเพราะเสียงต่อการไหม้
อย่านำเตาอบออกจากฐานแผ่นโฟมโพลีสไตรีนจนกว่า
จะถึงเวลาติดตั้ง

⚠ หลังจากการติดตั้ง ด้านล่างของเครื่องต้องไม่
สามารถเข้าถึงได้อีกต่อไปเพราะเสียงต่อการไหม้

⚠ อย่าติดตั้งเครื่องหลังประตูที่มีการประดับตกแต่ง
เพราะเสียงต่อการเกิดไฟไหม้

คำเตือนเกี่ยวกับไฟฟ้า

⚠ ป้ายแสดงข้อมูลทางเทคนิคอยู่ที่ขอบด้านหน้า
ของเตาอบ (มองเห็นได้เมื่อประตูเตาอบเปิดอยู่)

⚠ ต้องสามารถตัดการเชื่อมต่อเครื่องจากแหล่งจ่าย
ไฟได้ด้วยการถอดปลั๊กเตาอบออกหากสามารถเข้า
ถึงปลั๊กได้ หรือโดยสวิตช์หลายขั้วที่ติดตั้งไว้ที่ต้นทาง
ของเตารับ และเครื่องจะต้องต่อสายดินตามมาตรฐาน
ความปลอดภัยทางไฟฟ้าในประเทศ

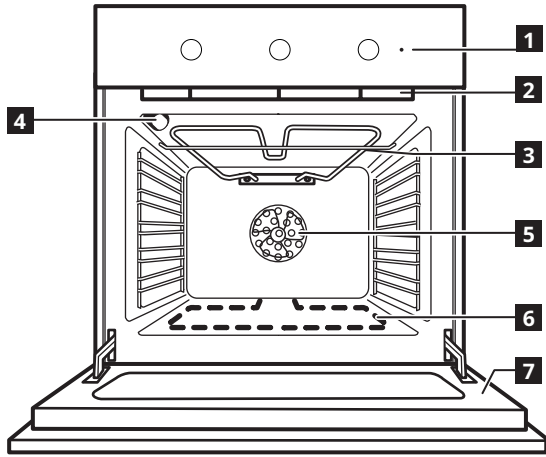
⚠ อย่าใช้สายไฟต่อพ่วง ปลั๊กพ่วง หรือปลั๊กอะแดป
เตอร์ ผู้ใช้จะต้องไม่สามารถเข้าถึงส่วนประกอบทาง
ไฟฟ้าได้หลังจากการติดตั้ง

ห้ามใช้เครื่องเมื่อตัวคุณเปียกหรือไม่ได้ใส่รองเท้า
ห้ามใช้งานเครื่องหากสายไฟ หรือปลั๊กไฟชำรุด หาก
เครื่องทำงานไม่ปกติ หรือหากเครื่องชำรุด หรือ
ตกลง

⚠ หากสายไฟชำรุด ผู้ผลิต ตัวแทนบริการ หรือ
บุคคลที่ได้รับการรับรองที่คล้ายกันจะต้องเป็นผู้
เปลี่ยนสายไฟใหม่ที่เหมือนกันให้ เพื่อหลีกเลี่ยง
อันตรายเนื่องจากความเสี่ยงจากไฟฟ้าดูด

⚠ ในกรณีการเปลี่ยนสายไฟใหม่ ให้ติดต่อศูนย์
บริการได้ที่รับการรับรอง

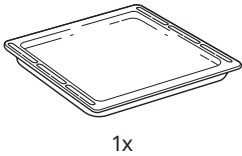
รายละเอียดผลิตภัณฑ์



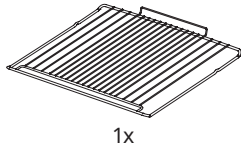
- 1 แผงควบคุม
- 2 พัดลมระบายความร้อน (มองไม่เห็น)
- 3 ขดลวดย่าง
- 4 หลอดไฟในเตาอบ
- 5 พัดลมเตาอบ
- 6 ขดลวดความร้อนด้านล่าง (ซ่อนอยู่)
- 7 ประตูเตาอบ

อุปกรณ์เสริมต่าง ๆ

ถาดอบ



ชั้นวางลวด



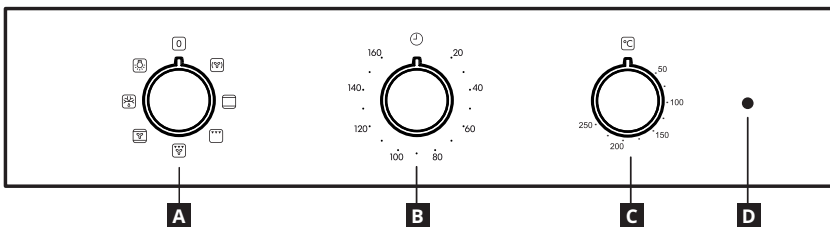
การใส่ตะแกรงและอุปกรณ์เสริมอื่น ๆ ในเตาอบ

ใส่ตะแกรงในระดับที่คุณต้องการ โดยถือตะแกรงให้เอียงขึ้นเล็กน้อยและวางด้านหลังกี่สูงกว่า (ซี่ขึ้น) ลงก่อน จากนั้น ให้เลื่อนตะแกรงในแนวนอนตามแนวนำขึ้นวางเข้าไปในเตาอบให้ลึกมากที่สุด

ต้องใส่อุปกรณ์เสริมอื่น ๆ เช่น ถาดอบ ในแนวนอนโดยเลื่อนเข้าไปในเตาอบตามแนวนำขึ้นวาง

หากคุณต้องการซื้ออุปกรณ์เสริม โปรดติดต่อศูนย์บริการที่ได้รับการรับรอง

แผงควบคุม



- A ปุ่มหมุนเลือกฟังก์ชัน
- B ปุ่มหมุนตั้งเวลา
- C ปุ่มหมุนควบคุมอุณหภูมิ
- D ไฟ LED ตัวควบคุมอุณหภูมิ/การวอร์มเตาอบ

การใช้งานครั้งแรก

นำอุปกรณ์เสริมต่าง ๆ ออกจากเตาอบ แล้วหมุนปุ่มอุณหภูมิไปที่ 200° นานประมาณหนึ่งชั่วโมงเพื่อกำจัดกลิ่น และควันจากวัสดุฉนวนและจาระบีป้องกัน

การใช้งานประจำวัน

1. เลือกฟังก์ชัน

ในการเลือกฟังก์ชัน ให้ปรับ *ปุ่มหมุนเลือกฟังก์ชัน* ไปที่สัญลักษณ์ฟังก์ชันที่คุณต้องการ

2. เปิด/ปิดใช้งานเตาอบ

ในการเปิดใช้งานเตาอบ ให้ปรับปุ่ม **A** ไปยังฟังก์ชันที่ต้องการ ในการปิดใช้งานเตาอบ ให้ปรับปุ่ม **A** ไปที่ตำแหน่ง "0"

3. การวอร์มเตาอบ

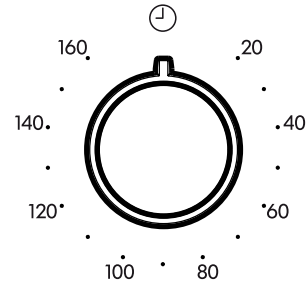
เมื่อเปิดใช้งานฟังก์ชันแล้ว ไฟ LED ตัวควบคุมอุณหภูมิ จะติดสว่าง ซึ่งเป็นการส่งสัญญาณว่ากระบวนการวอร์มเตาอบได้เริ่มขึ้นแล้ว ในตอนท้ายของขั้นตอนนี้ ไฟ LED ตัวควบคุมอุณหภูมิจะดับลง ซึ่งเป็นการบ่งบอกว่าเตาอบทำงานถึงอุณหภูมิที่ตั้งไว้แล้ว ในตอนนี้ ให้ใส่อาหารเข้าไปในเตาอบ และดำเนินการปรุงอาหารได้

ไปสกราบ การใส่อาหารเข้าไปในเตาอบก่อนที่ขั้นตอนการวอร์มเตาอบจะเสร็จสิ้นอาจส่งผลต่อผลการปรุงอาหารขั้นสุดท้าย

4. การตั้งเวลา

ตัวเลือกนี้ไม่ขัดขวาง หรือเปิดใช้งานการปรุงอาหาร แต่ช่วยให้คุณใช้การตั้งเวลาให้ครบสัญญาณดังเตือน โดยไม่ต้องการทำงาน (Minute Minder) ได้ทั้งในขณะที่ฟังก์ชันทำงาน และเมื่อปิดใช้งานเตาอบ

ในการเปิดใช้งานตัวตั้งเวลา ให้ปรับ *ปุ่มหมุนตั้งเวลา* ไปทางขวาในทิศทางตามเข็มนาฬิกา แล้วจากนั้นให้ปรับปุ่มหมุนกลับในทิศทางตรงกันข้ามไปที่ช่วงเวลาที่ต้องการ โดยสัญญาณเสียงจะดังเตือนเมื่อเวลาที่ตั้งไว้สิ้นสุดลง



ตารางฟังก์ชันของเตาอบ

เตาอบมีระดับการปรุงอาหาร 5 ระดับ โดยนับจากระดับต่ำสุด

ฟังก์ชัน		รายละเอียดของฟังก์ชัน
0	ปิดใช้งานเตาอบ	สำหรับการปิดใช้งานเตาอบ
	บังคับอากาศ	สำหรับการปรุงอาหารต่าง ๆ ที่ต้องใช้อุณหภูมิในการปรุงเท่ากันบนชั้นวางหลายชั้น (สูงสุดสามชั้น) ในเวลาเดียวกัน ฟังก์ชันนี้สามารถใช้ในการปรุงอาหารที่แตกต่างกัน โดยกลืนอาหารจะไม่ลอยจากอาหารประเภทหนึ่งไปติดในอาหารอีกประเภทหนึ่ง
	ธรรมดา (ทำความร้อนด้านบนและด้านล่าง)	สำหรับการปรุงอาหารทุกประเภทบนชั้นวางเพียงชั้นเดียวเท่านั้น ควรปรุงอาหารที่ชั้นวางชั้นที่ 2
	ย่าง	สำหรับการย่างสเต็ก เคบับ และไส้กรอก การปรุงผักอูกรูตาแอง หรือการปิ้งขนมปัง เมื่อย่างเนื้อสัตว์ เราขอแนะนำให้ใช้ถาดรองหยดเพื่อรองรับน้ำจากการปรุงอาหาร โดยให้วางตำแหน่งถาดรองหยดในระดับใดก็ได้ที่ต่ำกว่าตะแกรง แล้วเติมน้ำดื่ม 200 มล. ในถาดรองหยด
	การย่างด้วยพัดลม	สำหรับการย่างเนื้อที่มีข้อต่อขนาดใหญ่ (เช่น ส่วนขา เนื้ออูบ ไก่) เราขอแนะนำให้ใช้ถาดรองหยดเพื่อรองรับน้ำจากการปรุงอาหาร โดยให้วางตำแหน่งถาดรองหยดในระดับใดก็ได้ที่ต่ำกว่าตะแกรง แล้วเติมน้ำดื่ม 500 มล. ในถาดรองหยด
	อบลมร้อน	สำหรับการอบเค้กที่มีไส้เชื่อมด้านบนชั้นวางชั้นเดียว ฟังก์ชันนี้ยังสามารถใช้ปรุงอาหารบนชั้นวางสองชั้น สลับตำแหน่งอาหารเพื่อให้อาหารปรุงสุกเท่า ๆ กันมากยิ่งขึ้น
	ละลายน้ำแข็ง	สำหรับการละลายน้ำแข็งที่รวดเร็วยิ่งขึ้น วางอาหารตรงกลางในเตาอบในระดับ 3
	หลอดไฟ	สำหรับการเปิดหลอดไฟในเตาอบ

ตารางการปรุงอาหาร

ประเภทอาหาร	ฟังก์ชัน	การวอร์มเตาอบ	ระดับ (จากด้านล่าง)	อุณหภูมิ (°C)	เวลาปรุงอาหาร (นาที)
ขนมหวาน ขนมอบ ฯลฯ					
เค้กที่มีสารทำให้ขึ้นฟู		X	2	150-170	30-90
		X	4-1	160-180	30-90
พายมีไส้ (ชีสเค้ก สตรูเดิล พายผลไม้)		X	2	160-200	35-90
		X	4-2	160-200	40-90
ขนมปังกรอบ/ทาร์ตเล็ด		X	2/3	160-180	15-40
		X	4-2/5-3-1	150-170	20-45
ขนมปังซูว์		X	2	180-200	40-60
		X	4-2	170-190	35-50
เมอแรงก์		X	2	90	150-200
		X	4-2/5-3-1	90	140-200

ประเภทอาหาร	ฟังก์ชัน	การวอร์มเตาอบ	ระดับ (จากด้านล่าง)	อุณหภูมิ (°C)	เวลาปรุงอาหาร (นาที)
ขนมปัง/พิซซ่า/ฟอคคาเซีย		X	1/2	220-250	10-40
		X	4-2	200-240	20-30
พิซซ่าแช่แข็ง		X	2	250	10-30
		X	4-2	230-250	10-30
พายแบบคว (พายผัก คีซ)		X	2	180-200	30-50
		X	4-2/5-3-1	180-200	30-60
ไวโลวอง/แครกเกอร์พายชั้น		X	2	190-200	20-30
		X	4-2/5-3-1	180-190	20-40
ลาซานญา พาสต้าอบ คานเนลโลนิ ฟลาน		X	2	190-200	45-65
ลาซานญาและเนื้อสัตว์		X	4-2	200	50-100***
เนื้อสัตว์และมันฝรั่ง		X	4-1	190-200	45-100***
ปลาและผัก		X	4-1	180	30-50***
อาหารแบบเต็มรูปแบบ คาร์ตผลไม้ (ระดับ 5) / ลาซานญา (ระดับ 3) / เนื้อสัตว์ (ระดับ 1)		X	5-3-1	180-190	40-120***
เนื้อสัตว์					
เนื้ออบ 2 กก.		X	2	180-190	110-150
เนื้อแกะ/เนื้อลูกวัว/เนื้อวัว/เนื้อหมู 1 กก.		X	2	190-200	80-120
เนื้อไก่/เนื้อกระต่าย/เนื้อเป็ด 1 กก.		X	2	200-230	50-100
ไก่จวง/ห่าน 3 กก.		X	2	180-200	150-200
ปลา					
ปลาอบ/ปลาอบในห่อกระดาษ 0.5 กก. (เนื้อปลา ปลาทั้งตัว)		X	2	170-190	30-50
ผัก					
ผักยัดไส้ (มะเขือเทศ คอร์เจตต์ มะเขือม่วง)		X	2	180-200	50-70

ตารางปรุงอาหารด้วยฟังก์ชันย่าง

ขนมปังปิ้ง		5'	5	250	2-6
เนื้อปลา/ชิ้นปลาสด		5'	4/3	250	15-30*
ไส้กรอก/เคบับ/ซี่โครงหมู/แฮมเบอร์เกอร์		5'	5/4	250	15-30*
ขาแกะ/ขาหมู		-	3	200-220	60-90**
คราแตงผัก		-	3	200-220	30-60**
มันฝรั่งย่าง		-	3	200-220	30-60**
ไก่อบ 1-1.3 กก.		-	3	200-220	60-90**
เนื้ออบแบบไม่สุก 1 กก.		-	3	200-220	30-60**

หมายเหตุ อุณหภูมิและเวลาในการปรุงอาหารใช้เพื่อเป็นแนวทางเท่านั้น

* กลับด้านอาหารเมื่อเวลาในการปรุงอาหารผ่านไปครึ่งหนึ่ง

** กลับด้านอาหารเมื่อเวลาในการปรุงอาหารผ่านไปสองในสามของเวลาทั้งหมด (หากจำเป็น)

*** ระยะเวลาในการปรุงอาหารโดยประมาณ โดยสามารถนำอาหารออกจากเตาอบในเวลาที่แตกต่างกันขึ้นอยู่กับความชอบของแต่ละบุคคล

การทำความสะอาดและการบำรุงรักษา

การทำความสะอาด

⚠ คำเตือน!

- ห้ามใช้อุปกรณ์ทำความสะอาดแบบไอน้ำ
- ทำความสะอาดเตาอบในขณะที่เตาเย็นตัวลงเท่านั้น
- ตัดการเชื่อมต่อเครื่องจากแหล่งจ่ายไฟ

ภายนอกเตาอบ

i สำคัญ

อย่าใช้ผงซักฟอกที่มีฤทธิ์กัดกร่อนหรือมีสารขัด หากผลิตภัณฑ์เหล่านี้สัมผัสกับเครื่องโดยไม่ได้ตั้งใจ ให้ทำความสะอาดเครื่องทันทีด้วยผ้าชุบน้ำหมาด ๆ

- ทำความสะอาดพื้นผิวเครื่องด้วยผ้าชุบน้ำหมาด ๆ หากพื้นผิวเครื่องสกปรกมาก ให้เติมน้ำยาล้างจานลงในน้ำสะอาด เช็ดด้วยผ้าแห้งเป็นขั้นตอนสุดท้าย

ภายในเตาอบ

i สำคัญ

อย่าใช้ฟองน้ำขัด หรือเครื่องขัดโลหะ หรือเครื่องขัดถู เมื่อเวลาผ่านไป สิ่งเหล่านี้สามารถทำลายพื้นผิวเคลือบอีนาเมล และกระจกของประตูเตาอบได้

- หลังการใช้งานทุกครั้ง ปล่อยให้เตาอบเย็นลง จากนั้นทำความสะอาดโดยเฉพาะอย่างยิ่งในขณะที่เตาอบยังอุ่นอยู่เพื่อขจัดสิ่งสกปรก และคราบสะสมที่เกิดจากเศษอาหาร (เช่น อาหารที่มีน้ำตาลสูง)
- ใช้นํ้ายาทำความสะอาดสำหรับเตาอบที่เหมาะสม และปฏิบัติตามคำแนะนำของผู้ผลิตอย่างถูกต้อง
- ทำความสะอาดกระจกของประตูเตาอบด้วยนํ้ายาทำความสะอาดสูตรนํ้าที่ที่เหมาะสม สามารถถอดประตูเตาอบออกเพื่อทำความสะอาดได้ง่าย (ดู การบำรุงรักษา) กระจกด้านในเรียบทำให้ทำความสะอาดได้ง่าย

หมายเหตุ ในระหว่างการปรุงอาหารที่มีปริมาณน้ำมากเป็นเวลานาน (เช่น พืชผัก ฯลฯ) อาจเกิดการควบแน่นที่ด้านในของประตูและรอบ ๆ ซิล เมื่อเตาอบเย็น ให้ใช้ผ้า หรือฟองน้ำเช็ดด้านในประตูให้แห้ง

อุปกรณ์เสริมต่าง ๆ

- แห่อุปกรณ์เสริมในน้ำที่ผสมนํ้ายาล้างจานทันทีหลังใช้งาน จัดการอุปกรณ์เหล่านี้ด้วยถุงมือสำหรับเตาอบหากยังร้อนอยู่
- สามารถกำจัดเศษอาหารออกได้ง่ายโดยใช้แปรง หรือฟองน้ำ

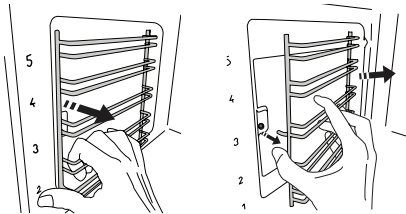
การบำรุงรักษา

⚠ คำเตือน!

- ใช้ถุงมือนิรภัย
- ตรวจสอบให้แน่ใจว่าเตาอบเย็นก่อนดำเนินการต่อไป
- ตัดการเชื่อมต่อเตาอบจากแหล่งจ่ายไฟ

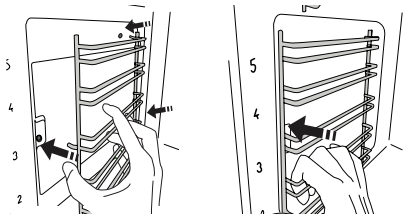
การถอดแนวนำชิ้นวางออก

จับชิ้นส่วนภายนอกของแนวนำชิ้นวางให้แน่น แล้วดึงเข้าหาตัวเพื่อดึงที่รองรับและหลุดภายในสองตัวออกจากช่องเสียบ



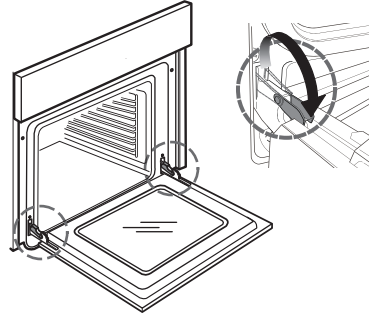
การใส่แนวนำชิ้นวางกลับเข้าที่

จัดตำแหน่งแนวนำชิ้นวางใกล้ในช่องเตาอบ และก่อนอื่นให้สอดหลอดสองตัวเข้าช่องเสียบ ต่อมาจัดตำแหน่งชิ้นส่วนภายนอกใกล้กับช่องเสียบ ใส่ที่รองรับ แล้วกดให้ลึกลงกับผนังช่องเตาอบให้แน่นเพื่อให้แน่ใจว่าแนวนำชิ้นวางติดตั้งอย่างแน่นหนา



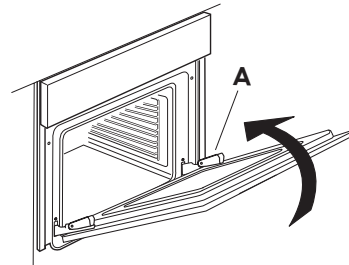
การถอดประตูเตาอบ

1. เปิดประตูเตาอบออกจนสุด
2. ยกขยี้ดแล้วดันไปข้างหน้าจนสุด (รูปที่ 1)

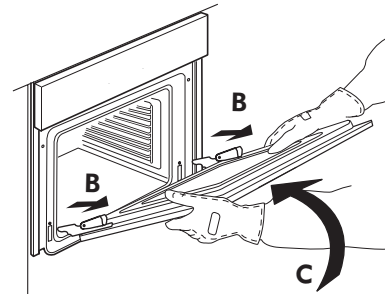


รูปที่ 1

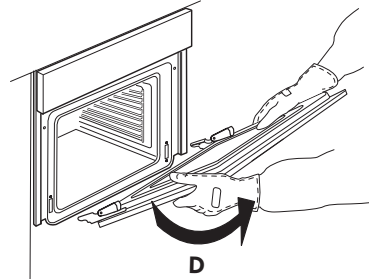
3. ปิดประตูให้มากที่สุดเท่าที่จะทำได้ (A) ยกประตูขึ้น (B) แล้วหมุนประตู (C) จนกระทั่งประตูหลุดออก (D) (รูปที่ 2, 3, 4)



รูปที่ 2



รูปที่ 3



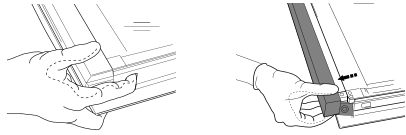
รูปที่ 4

การใส่ประตูกลับเข้าที่

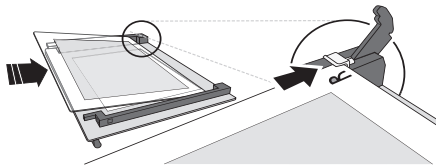
1. ใส่บานพับเข้าที่ฐานรองรับ
2. เปิดประตูเตาอบออกจนสุด
3. ลดตำแหน่งขยี้ดลง
4. ปิดประตู

การทำความสะดวกกระจก

1. หลังจากถอดประตูออก และวางไว้บนพื้นผิวที่อ่อนนุ่มโดยให้มือจับคว่ำลง ให้กดคลิปยึดสองตัวพร้อมกัน แล้วดึงขอบด้านบนของประตูออกโดยดึงเข้าหาตัวคุณ



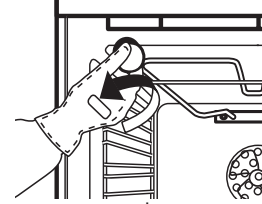
2. ยกและจับกระจกชั้นในด้วยมือทั้งสองข้างให้แน่น ถอดกระจกออก แล้ววางบนพื้นผิวที่อ่อนนุ่มก่อนทำความสะอาด ทำขั้นตอนเดียวกันกับกระจกชั้นกลาง
3. ในการติดตั้งกระจกชั้นกลาง และกระจกชั้นใน ให้ตรวจสอบให้แน่ใจว่าสามารถมองเห็นตัวอักษร "R" ที่มุมด้านซ้าย ชั้นแรกให้สอดด้านยาวที่มีตัวอักษร "R" เข้าไปในฐานที่รองรับ จากนั้นให้ลดกระจกให้ต่ำลงเข้าไปในตำแหน่ง



4. ใส่มุมด้านบนกลับเข้าที่ เสียงคลิกจะแสดงการใส่เข้าตำแหน่งที่ถูกต้อง ตรวจสอบให้แน่ใจว่าซิลแน่นหนาก่อนใส่ประตูกลับเข้าที่

การเปลี่ยนหลอดไฟใหม่

1. ตัดการเชื่อมต่อเตาอบจากแหล่งจ่ายไฟ



รูปที่ 5

2. คลายเกลียวฝาครอบหลอดไฟ (รูปที่ 5) เปลี่ยนหลอดไฟใหม่ (ดูหมายเหตุเกี่ยวกับประเภทหลอดไฟ) แล้วขันเกลียวฝาครอบกลับเข้าที่
3. เชื่อมต่อเตาอบกับแหล่งจ่ายไฟอีกครั้ง

หมายเหตุ

- ใช้หลอดไฟฮาโลเจนขนาด 25W/230 V ประเภท G9, T300°C เท่านั้น
- หลอดไฟที่ใช้ในเครื่องได้รับการออกแบบมาโดยเฉพาะสำหรับเครื่องใช้ไฟฟ้า และไม่เหมาะสำหรับการส่องสว่างภายในห้องในครัวเรือน (กฎระเบียบคณะกรรมการ (Commission Regulation, EC) เลขที่ 244/2009)
- หลอดไฟมีจำหน่ายที่ศูนย์บริการที่ได้รับการรับรองของอียิปต์

ต้องทำอย่างไรหาก ...

ปัญหา	สาเหตุที่เป็นไปได้	วิธีแก้ไข
เตาอบไม่ทำงาน	ไม่มีพลังงานไฟฟ้าหลัก	ตรวจสอบว่ามีพลังงานไฟฟ้าหลักหรือไม่
	เตาอบไม่ได้เชื่อมต่อกับแหล่งจ่ายไฟ	เชื่อมต่อเตาอบกับแหล่งจ่ายไฟ
	ปุ่มหมุนเลือกฟังก์ชันถูกตั้งไว้ที่ "OFF"	ปรับปุ่มหมุนเลือกฟังก์ชัน แล้วเลือกฟังก์ชันการปรุงอาหาร

ก่อนโทรติดต่อศูนย์บริการที่ได้รับการรับรอง

1. ลองดูว่าคุณสามารถแก้ไขปัญหได้ด้วยตัวเองได้หรือไม่โดยทำตามคำแนะนำที่ให้ไว้ในตาราง "ควรทำอย่างไรหาก ..."
2. ปิดเครื่องแล้วเปิดใหม่อีกครั้งเพื่อดูว่ายังมีข้อบกพร่องอยู่หรือไม่ หากยังพบข้อบกพร่องหลังการตรวจสอบข้างต้น ให้ติดต่อศูนย์บริการที่ได้รับการรับรองของอียิปต์

ในการแจ้งทุกครั้ง โปรดระบุ

- รายละเอียดของข้อบกพร่องโดยสังเขป
- ประเภทและรุ่นที่ถูกต้องของเตาอบ
- หมายเลขบริการ (หมายเลขหลังคำ "Service" บนป้ายแสดงข้อมูล) อยู่ที่ขอบด้านขวาของช่องเตาอบ (มองเห็นได้เมื่อประตูเตาอบเปิดออก)

SERVICE 0000 000 00000



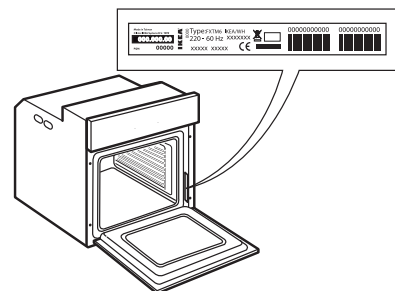
- ที่อยู่โดยละเอียด
- หมายเลขโทรศัพท์

หากจำเป็นต้องมีการซ่อมแซม โปรดติดต่อศูนย์บริการที่ได้รับการรับรองของอียิปต์ (เพื่อรับประกันว่าจะมีการใช้อะไหล่แท้ และดำเนินการซ่อมแซมเครื่องอย่างถูกต้อง)

ข้อมูลทางเทคนิค

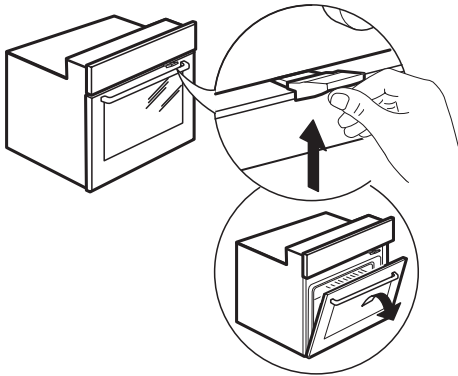
ประเภทผลิตภัณฑ์: เตาอบไฟฟ้าแบบฝัง	
การระบุรุ่น: MATÅLSKARE 205.082.53	
จำนวนช่องเตาอบ	1
แหล่งความร้อน	ไฟฟ้า
จำนวนฟังก์ชัน	6
ปริมาตรที่ใช้ได้ วัตต์ด้วยครีทด้านข้าง และแผงเร่งปฏิกิริยาที่ถอดออก (ล.)	71
พื้นที่แผ่นรองอบขนาดใหญ่ที่สุด (ซม. ²)	1191
ระดับชั้นประสิทธิภาพพลังงาน (การใช้พลังงานต่ำที่สุด)	A
ดัชนีประสิทธิภาพพลังงาน	95.3
การใช้พลังงาน ฟังก์ชันธรรมดา (ด้วยโหมดมาตรฐาน และการทำความร้อนบน + ล่าง) กิโลวัตต์-ชั่วโมง/รอบ	0.99
การใช้พลังงาน ฟังก์ชันบังคับอากาศด้วยพัดลม (ด้วยโหมดมาตรฐาน และการทำความร้อนด้วยการบังคับอากาศ) กิโลวัตต์-ชั่วโมง/รอบ	0.81
ขดลวดความร้อนด้านบน (วัตต์)	2500
ขดลวดความร้อนด้านล่าง (วัตต์)	1150
ขดลวดความร้อนของการย่าง (วัตต์)	2500
ขดลวดความร้อนของพัดลม (วัตต์)	1800
พัดลมระบายความร้อน (วัตต์)	15
หลอดไฟในเตาอบ (วัตต์)	25
กำลังไฟฟ้าของพัดลมเตาอบ (วัตต์)	22
พิกัดรวม (วัตต์)	2600-2900
ขนาด	
กว้าง (มม.)	595
สูง (มม.)	595
ลึก (มม.)	550
น้ำหนักเครื่อง MATÅLSKARE สแตนเลส (กก.)	26

ข้อมูลทางเทคนิคอยู่บนป้ายแสดงข้อมูลทางเทคนิคภายในเครื่อง



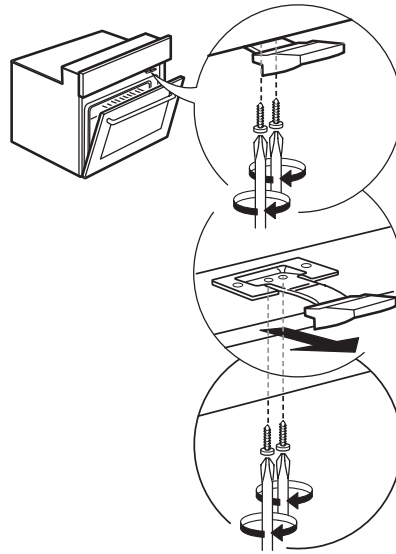
การติดตั้ง

เครื่องมือล็อกประตู
การเปิดประตูด้วยเครื่องมือล็อกประตู ดูรูปที่ 1



รูปที่ 1

อุปกรณ์นิรภัยของประตูสามารถถอดออกได้ โดยปฏิบัติตามลำดับขั้นตอนในรูปภาพ (ดูรูปที่ 2)



รูปที่ 2

การเชื่อมต่อทางไฟฟ้า

ตรวจสอบให้แน่ใจว่าแรงดันไฟฟ้าที่ระบุบนป้ายระบุข้อมูลของเครื่องตรงกับแรงดันไฟฟ้าประธาน ป้ายแสดงข้อมูลทางเทคนิคอยู่ที่ขอบด้านหน้าของเตาอบ (มองเห็นได้เมื่อประตูเตาอบเปิดอยู่)

การเปลี่ยนสายไฟใหม่ (ชนิด H05 V2V2 x 1.5 มม.²) ต้องดำเนินการโดยช่างไฟฟ้าชำนาญการ โปรดติดต่อศูนย์บริการที่ได้รับการรับรองของอิกีย

ความกังวลด้านสิ่งแวดล้อม

⚠ คำเตือน! ตรวจสอบให้แน่ใจว่าปิดใช้งานเครื่อง และตัดการเชื่อมต่อเครื่องจากแหล่งจ่ายไฟก่อน ดำเนินการบำรุงรักษาเนื่องจากความเสี่ยงจากไฟฟ้าดูด ห้ามใช้อุปกรณ์ทำความสะอาดแบบไอน้ำ

⚠ ห้ามใช้น้ำยาทำความสะอาดที่มีฤทธิ์กัดกร่อนรุนแรง หรือเครื่องดูดโลหะในการทำความสะอาดกระจกประตู เนื่องจากอาจทำให้พื้นผิวเป็นรอย ซึ่งอาจทำให้กระจกแตกได้

⚠ ตรวจสอบให้แน่ใจว่าเครื่องเย็นลงก่อนการทำความสะอาดและการบำรุงรักษา เนื่องจากความเสี่ยงต่อการไหม้

⚠ คำเตือน! ปิดใช้งานเครื่องก่อนเปลี่ยนหลอดไฟใหม่ เนื่องจากมีความเสี่ยงจากไฟฟ้าดูด

การทิ้งวัสดุบรรจุภัณฑ์

วัสดุบรรจุภัณฑ์สามารถนำไปรีไซเคิลได้ 100% และมีสัญลักษณ์รีไซเคิลกำกับบนบรรจุภัณฑ์ **♻** ดังนั้นจะต้องกำจัดชิ้นส่วนบรรจุภัณฑ์ต่าง ๆ ด้วยความรับผิดชอบ และเป็นไปตามข้อบังคับของหน่วยงานท้องถิ่นที่ควบคุมการจัดขยะ

การจัดเครื่องใช้ในครัวเรือนทิ้ง

เครื่องใช้ไฟฟ้านี้ผลิตจากวัสดุที่สามารถนำไปรีไซเคิลได้ หรือใช้ซ้ำได้ นำเครื่องไปทิ้งตามกฎระเบียบการจัดขยะในท้องถิ่น สำหรับข้อมูลเพิ่มเติมเกี่ยวกับการรักษา การฟื้นฟู และการรีไซเคิลเครื่องใช้ไฟฟ้าในครัวเรือน โปรดติดต่อหน่วยงานในพื้นที่ของคุณที่มี บริการเก็บขยะในครัวเรือน หรือร้านค้าที่คุณซื้อเครื่อง เครื่องใช้ไฟฟ้านี้มีการกำกับว่าเป็นไปตามกฎระเบียบของสหภาพยุโรป (European Directive) 2012/19/EU ว่าด้วยการจัดการเศษซากเหลือทิ้งจากผลิตภัณฑ์ไฟฟ้าและอิเล็กทรอนิกส์ (Waste Electrical and Electronic Equipment, WEEE) โดยตรวจสอบให้แน่ใจว่าผลิตภัณฑ์นี้ได้รับการกำจัดอย่างถูกต้อง คุณจะช่วยป้องกันผลเสียต่อสิ่งแวดล้อม และสุขภาพของมนุษย์



สัญลักษณ์ **♻** บนผลิตภัณฑ์ หรือในเอกสารประกอบระบุว่าไม่ควรดำเนินการกับเครื่องเป็นขยะในครัวเรือน แต่ต้องนำเครื่องไปที่ศูนย์รวบรวมที่เหมาะสมสำหรับการรีไซเคิลอุปกรณ์ไฟฟ้า และอิเล็กทรอนิกส์

เคล็ดลับในการประหยัดพลังงาน

วอร์มเตาอบหาคะบู่ไว้ในตารางการปรุงอาหาร หรือตามสูตรของคุณเท่านั้น ใช้ถาดอบเคลื่อน หรือเคลือบอานาเมลสีเข้มเนื่องจากดูดซับความร้อนได้ดีกว่า อาหารที่ต้องปรุงเป็นเวลานาน จะยังปรุงต่อเนื่องแม้ว่าจะปิดใช้งานเครื่องแล้วก็ตาม

การรับประกันของอิกีย์

การรับประกันของอิกีย์ครอบคลุมระยะเวลาานเท่าใด

การรับประกันนี้มีอายุห้า(5)ปีนับจากวันที่ซื้อเครื่องใช้ไฟฟ้าที่อิกีย์ จำเป็นต้องแสดงใบเสร็จรับเงินตัวจริงเป็นหลักฐานด้วย หากงานบริการดำเนินการภายใต้การรับประกัน การดำเนินการนี้จะไม่ขยายระยะเวลาประกันเครื่อง

ใครจะเป็นผู้ดำเนินการบริการ

ผู้ให้บริการของอิกีย์จะให้บริการด้วยตนเอง หรือเครือข่ายพันธมิตรผู้ให้บริการที่ได้รับการรับรอง

การรับประกันนี้จะครอบคลุมส่วนใดบ้าง

การรับประกันครอบคลุมถึงข้อบกพร่องของเครื่องใช้ ไฟฟ้าซึ่งเกิดจากโครงสร้างที่ไม่สมบูรณ์หรือวัสดุมีข้อบกพร่อง นับจากวันที่ซื้อจาก IKEA การรับประกันนี้ใช้ได้กับการใช้งานภายในประเทศเท่านั้น มีข้อยกเว้นระบุไว้ภายใต้หัวข้อ "สิ่งที่ไม่ครอบคลุมภายใต้ การรับประกันนี้คืออะไร" ภายในระยะเวลาการรับประกัน ค่าใช้จ่ายในการแก้ไขข้อบกพร่อง เช่น การซ่อมแซม ชิ้นส่วน แรงงาน และการเดินทางจะได้รับ การคุ้มครอง โดยมีเงื่อนไขว่าต้องสามารถเข้าถึง เครื่องใช้ไฟฟ้าเพื่อซ่อมแซมได้โดยไม่มีค่าใช้จ่าย พิเศษ ในเงื่อนไขเหล่านี้ กฎระเบียบท้องถิ่นที่เกี่ยวข้องจะมีผลบังคับใช้ ชิ้นส่วนที่ถูกเปลี่ยนทดแทน จะกลายเป็นทรัพย์สินของ IKEA

อิกีย์จะอย่างไรในการแก้ไขปัญหา

ผู้ให้บริการที่ได้รับการแต่งตั้งจากอิกีย์จะตรวจสอบผลิตภัณฑ์ และตัดสินใจตามดุลยพินิจของผู้ให้บริการ แต่เพียงผู้เดียวหากผลิตภัณฑ์นั้นอยู่ภายใต้การรับประกันนี้ หากได้รับการพิจารณาแล้วว่าครอบคลุมอยู่ภายใต้การรับประกัน ผู้ให้บริการของอิกีย์ หรือพันธมิตรผู้ให้บริการที่ได้รับการรับรองด้วยการให้บริการด้วยตนเองจะใช้ดุลยพินิจ แต่เพียงผู้เดียวในการซ่อมแซมผลิตภัณฑ์ที่มีข้อบกพร่องหรือเปลี่ยนทดแทนด้วยผลิตภัณฑ์ที่เทียบเท่ากัน หรือผลิตภัณฑ์ที่เทียบเท่ากัน

สิ่งที่ไม่ครอบคลุมภายใต้เงื่อนไขการรับประกันนี้

- การสึกหรอตามปกติ
- ความเสียหายโดยเจตนา หรือโดยประมาท ความเสียหายที่เกิดจากการไม่ปฏิบัติตามคำแนะนำในการใช้ งานการติดตั้งที่ไม่ถูกต้อง หรือจากการเชื่อมต่อกับแรงดันไฟฟ้าที่ไม่ถูกต้อง ความเสียหายที่เกิดจากปฏิกิริยาเคมี หรือไฟฟ้าเคมี สนิม การกัดกร่อน หรือความเสียหายจากน้ำ รวมถึงแต่ไม่จำกัดเพียงความเสียหายที่เกิดจากหินปูน น้ำประปาเกาะกินไป ความเสียหายที่เกิดจากสภาพแวดล้อมที่ผิดปกติ
- อะไหล่สิ้นเปลือง ได้แก่ แบตเตอรี่ และหลอดไฟ
- ชิ้นส่วนที่ไม่ใช้งาน และชิ้นส่วนตกแต่ง ซึ่งไม่มีผลต่อการใช้งานเครื่องตามปกติ รวมถึงรอยขีดข่วน และความแตกต่างของสีที่อาจเกิดขึ้น
- ความเสียหายจากอุบัติเหตุที่เกิดจากวัตถุ หรือสารแปลกปลอม และการทำความสะอาด หรือการแก้ไขปัญหาการอุดตันของตัวกรอง ระบบระบายน้ำ หรือการใส่ผงซักฟอก
- ความเสียหายต่อชิ้นส่วนต่อไปนี้ ได้แก่ แก้วเซรามิก อุปกรณ์ต่าง ๆ ถ้วยชาม และช้อนส้อม ตะกร้า ก่อป้อนอาหาร และท่อระบายน้ำ ซิล หลอดไฟ และฝาครอบหลอดไฟ หน้าจอ ปุ่มหมุน โครง และชิ้นส่วนโครง เว้นแต่ความเสียหายดังกล่าวสามารถพิสูจน์ได้ว่าเกิดจากความผิดพลาดในการผลิต
- กรณีที่ไม่พบข้อผิดพลาดในระหว่างการตรวจสอบของช่างเทคนิค
- การซ่อมแซมที่ไม่ได้ดำเนินการโดยผู้ให้บริการที่ได้รับการแต่งตั้งและ/หรือพันธมิตรตามสัญญาบริการที่ได้รับการรับรอง หรือในกรณีที่มีการใช้อะไหล่ที่ไม่ใช่ของแท้
- การซ่อมแซมที่เกิดจากการติดตั้งเครื่องที่ผิดพลาด หรือไม่ปฏิบัติตามข้อกำหนด
- การใช้เครื่องในสภาพแวดล้อมที่ไม่ใช่ภายในครัวเรือน เช่น การใช้งานในระดับมืออาชีพ
- ความเสียหายจากการขนส่ง หากลูกค้าขนส่งผลิตภัณฑ์ไปยังบ้านของเขา หรือที่อยู่อื่น อิกีย์ไม่รับผิดชอบต่อความเสียหายใด ๆ ที่อาจเกิดขึ้นระหว่างการขนส่ง อย่างไรก็ตาม หากอิกีย์จัดส่งผลิตภัณฑ์ไปยังที่อยู่ของลูกค้า แล้วเกิดความเสียหายต่อผลิตภัณฑ์ในระหว่างการขนส่งดังกล่าว อิกีย์จะเป็นผู้รับผิดชอบต่อความเสียหายดังกล่าว
- ค่าใช้จ่ายในการติดตั้งเครื่องใช้ไฟฟ้าของอิกีย์ครั้งแรก
- อย่างไรก็ตาม หากอิกีย์แต่งตั้งผู้ให้บริการ หรือพันธมิตรผู้ให้บริการที่ได้รับการรับรองซ่อมแซม หรือเปลี่ยนเครื่องใช้ไฟฟ้าภายใต้เงื่อนไขการรับประกันนี้ ผู้ให้บริการที่ได้รับการแต่งตั้ง หรือผู้ให้บริการที่ได้รับการรับรองจะติดตั้งอุปกรณ์ที่ซ่อมแซมกลับเข้าที่เดิม หรือติดตั้งอุปกรณ์ใหม่ทดแทนหากจำเป็น
- การติดตั้งระบบประปาและไฟฟ้าทั้งหมดไม่ใช่ ความรับผิดชอบของ IKEA และลูกค้าต้องทำงาน เหล่านี้ให้เสร็จก่อนดำเนินการ

กฎหมายของประเทศมีผลบังคับใช้อย่างไร

การรับประกันของอิกีย์ให้สิทธิทางกฎหมายเฉพาะแก่คุณ ซึ่งครอบคลุม หรือเกินกว่าข้อกำหนดทางกฎหมายในท้องถิ่นทั้งหมด อย่างไรก็ตามเงื่อนไขเหล่านี้ไม่ได้จำกัดสิทธิของผู้บริโภคตามที่อธิบายไว้ในกฎหมายท้องถิ่น

พื้นที่ของการมีผลบังคับใช้

การรับประกันนี้มีผลเฉพาะในประเทศที่ทำการซื้อขายผลิตภัณฑ์เท่านั้น โดยจะให้บริการในกรอบของ เงื่อนไขการรับประกัน การระงับข้อพิพาทในการดำเนินการ บริการในกรอบการรับประกันมีอยู่เฉพาะในกรณีที่ เครื่องใช้ไฟฟ้ามีคุณสมบัติตามและได้รับการติดตั้ง ตาม:

- ข้อกำหนดทางเทคนิคของประเทศที่มีการเรียกชื่อของการรับประกัน
- คำแนะนำในการประกอบ และข้อมูลด้านความปลอดภัยในคู่มือการใช้งาน

บริการหลังการขายเฉพาะสำหรับเครื่องใช้ไฟฟ้าของอิกีย์

โปรดติดต่อศูนย์บริการที่ได้รับการรับรองของอิกีย์เพื่อ

- ดำเนินการร้องขอบริการภายใต้การรับประกันนี้
- ขอคำชี้แจงเกี่ยวกับกรณีการติดตั้งเครื่องใช้ไฟฟ้าของอิกีย์ในชุดเฟอร์นิเจอร์ของอิกีย์โดยเฉพาะ
- ขอคำชี้แจงเกี่ยวกับฟังก์ชันการทำงานของเครื่องใช้ไฟฟ้าของอิกีย์ เพื่อให้แน่ใจว่าเราให้ความช่วยเหลืออย่างดีที่สุดแก่คุณ โปรดอ่านคำแนะนำในการประกอบและ/หรือคู่มือการใช้งานอย่างละเอียดก่อนติดตั้ง

จะติดต่อเราได้อย่างไรหากคุณต้องการใช้บริการของเรา



ศูนย์บริการลูกค้าหลังการขายของ IKEA จะช่วยเหลือคุณทางโทรศัพท์เพื่อแก้ไข ปัญหาพื้นฐานสำหรับเครื่องใช้ไฟฟ้า ของคุณ เมื่อมีการติดต่อขอใช้บริการ โปรดดูที่ www.IKEA.com แล้วเลือกสาขาในพื้นที่ของคุณ เพื่อ ดู หมายเลขโทรศัพท์ของสาขาในพื้นที่และ เวลาเปิดทำการ

i กรุณาเตรียมรหัสสินค้าของ IKEA (เลข 8 หลัก) และหมายเลขผลิตภัณฑ์ (เลข 8 หลักที่อยู่บนแผ่นป้ายระบุค่าพิกัด) ของอุปกรณ์ให้พร้อมก่อนติดต่อขอความช่วยเหลือจากรเรา

i โปรดเก็บใบเสร็จรับเงินตัวจริง! ใบเสร็จรับเงินตัวจริงเป็นหลักฐานการซื้อของคุณ และจำเป็นต้องใช้สำหรับการรับประกัน ใบเสร็จรับเงินยังมีรายละเอียดข้อต่ออิกีย์ และหมายเลขสินค้า (รหัส 8 หลัก) สำหรับเครื่องใช้ไฟฟ้าแต่ละชิ้นที่คุณซื้อ

คุณต้องการความช่วยเหลือเพิ่มเติมหรือไม่

หากคุณต้องการสอบถามเพิ่มเติมเกี่ยวกับการบริการหลังการขายเครื่องใช้ไฟฟ้าของคุณ โปรดติดต่อศูนย์บริการลูกค้าของสวีเดนอิกีย์ใกล้บ้าน เราขอแนะนำให้คุณอ่านเอกสารเครื่องใช้ไฟฟ้าอย่างละเอียดก่อนติดต่อเรา

目錄

安全資訊	35	發生了這些情況後，應該怎麼辦	40
產品介紹	36	技術資料	41
控制面板	36	安裝	41
首次使用	36	電氣連接	42
日常使用	36	環境問題	42
烹飪表	37	宜家質保	43
清潔和維護	39		

安全資訊

使用本家電前，請仔細閱讀說明。請妥善保管文件以便日後參考。

這些說明與家電本身均提供重要安全警示，請務必隨時遵守。未遵守這些安全說明、不當使用本家電或控制裝置設定不正確，製造商均無法保固。

安全警示

△ 請讓幼童（0-3歲）遠離本家電。請勿在無人注意的情況下讓兒童（3-8歲）靠近本家電。8歲以上兒童與殘疾人士或經驗與知識不足之人員，僅可在有人監督且已了解安全使用說明及相關風險後才能使用本電器。請勿讓兒童將本家電當作玩具。請勿讓無人注意之孩童進行清潔與使用者保養。

△ 警告！本家電及其外露的零件在使用時會變燙。請小心避免與加熱元件接觸。八週歲以下兒童在無人注意的情況下請務必遠離本家電。

△ 警告！在烤乾食物的過程中，請勿使設備處於無人看管的狀態。如果家電適合用於探測器用途，僅使用為本烤箱推薦的溫度探測器——失火危險。

△ 在所有元件均冷卻前，請讓衣物或其他易燃物遠離本家電——失火風險。烹飪富含油脂的食物或添加含酒精的飲料時，總是應該保持警惕——失火危險。使用烤箱手套來移除烤盤和配件。烹飪結束時，小心地打開烤箱門：手伸入烤箱前，請讓熱空氣或蒸汽逐漸散逸——燙傷風險。不要阻塞烤箱前面的熱風通風孔——失火風險。

△ 烤箱門打開或拉下時，請小心操作，避免撞擊烤箱門。

用途

△ 小心：本家電不可搭配外接開關裝置如計時器或獨立遙控系統使用。

△ 本家電僅可用於一般住宅及以下應用中：商店、辦公室及其他工作環境的員工廚房區；農舍；飯店、汽車旅館、民宿及其他居住環境用戶。

△ 本家電並非供專業用途使用。請勿在戶外使用本家電。

不允許用於其它用途（例如房間取暖）。

△ 不要在家電中或家電附近存放易爆或易燃物質（例如，汽油罐或噴霧罐）——失火風險。

安裝

△ 本家電並須由兩位以上人員負責安裝與處理，否則有受傷風險。在開箱與安裝時請穿戴保護手套，以避免割傷風險。

△ 包括供水裝置（如有）與電力接線等安裝及維修工作必須交合格工匠處理。除非使用手冊特別載明，否則請勿維修或更換本家電零件。請讓孩童遠離安裝地點。家電包裝拆掉後，請確認機身無因運送所造成之損傷。若出現問題，請與經銷商或離您最近的售後服務中心聯絡。安裝後，請務必將包裝廢棄物（塑膠、發泡膠件等）收納於兒童無法觸及之處——窒息風險。安裝前，請務必將本家電的電源中斷，以避免觸電風險。安裝過程中，請確認家電不要造成電源線損壞，以避免起火或觸電風險。僅可在安裝工作全部完成後才可啟動本家電。

△ 將本家電安裝於傢俱中前請先完成所有櫥櫃切割作業，並將所有木屑及鋸渣清除。為確保正確操作家電，不要阻塞操作台與烤箱上邊緣之間的最小空隙——燙傷風險。未到安裝時，請不要將烤箱從塑料泡沫底座上取出。

△ 為了避免翻覆，電器不得安裝於裝飾門之後方，除非說明書聲明與此相反。

△ 安裝完成之後，應該無法接觸家電的底部——燙傷風險。

所需空間、位置和所需通風（最小 200 cm²）的尺寸在本手冊第 4 頁的圖紙和產品隨附的安裝手冊中進行了描述。

電氣警告

△ 銘牌位於烤箱的上緣（箱門打開時可見）。

△ 必須按照國家電氣安全標準，通過拔下可接近的插頭，或通過安裝在插座上游的多極開關斷開家電電源，且家電必須接地。

△ 請勿使用延長線、多重插座或轉接器。安裝後，使用者不得接觸電氣組件。

請勿在身體潮濕或赤腳的情況下使用本家電。若家電有電源線或插頭損壞的情況，或是無法正常運作，或曾遭到損壞或掉落過，均請不要使用本家電。

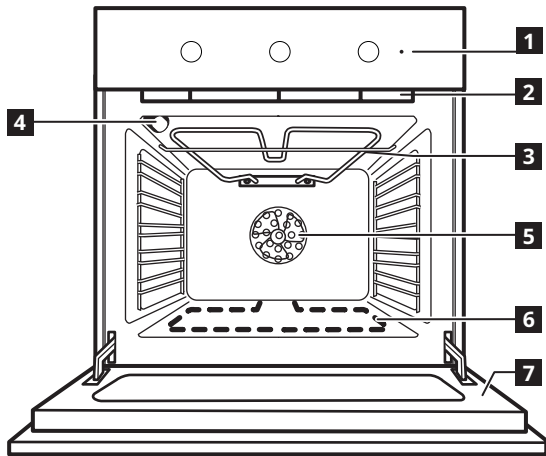
△ 若電源線損壞，必須由製造商維修人員或相關合格人員以同等產品進行更換以避免觸電風險。

△ 在更換電源線時，請聯絡經授權的服務中心。

△ 警告：在更換光源之前，確定電器已斷電以避免遭受電擊。

△ 請使用經濟部標準檢驗局驗證登錄之觸點3mm以上專屬過電流保護斷電器，並放置於使用者可操作的地方

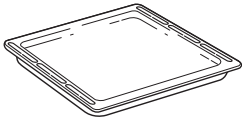
產品介紹



- 1 控制面板
- 2 冷卻風扇 (不可見)
- 3 燒烤元件
- 4 烤箱燈
- 5 烤箱風扇
- 6 底部加熱元件 (隱藏)
- 7 烤箱門

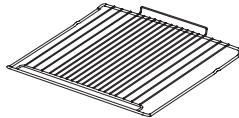
配件

烤盤



1件

烤架



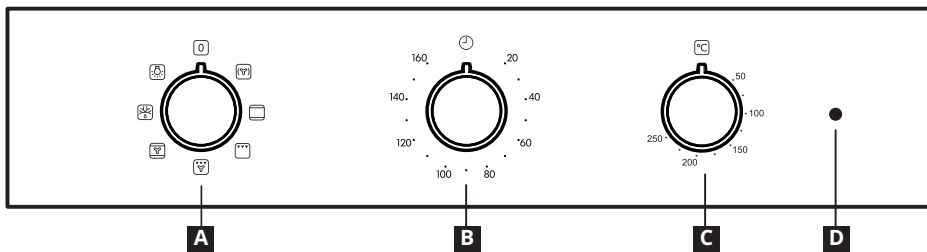
1件

插入烤架和其他附件

將烤架略微向上傾斜，將凸起的後沿先放下（朝上），插入所需要的烤層。接著，將烤架沿著擱架導軌盡量往里滑入。

將烤盤等其它附件沿著烤盤滑道滑動，將其水平插入。如果您想要購買附件，請致電授權維修中心。

控制面板



- A 旋轉開關旋鈕
- B 定時開關旋鈕
- C 溫控器旋鈕
- D LED 溫控器/預熱

首次使用

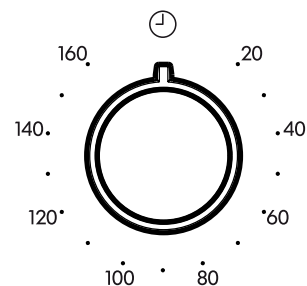
從烤箱中取出配件，將烤箱在200°C的溫度下加熱大約一個小時，以消除從絕緣材料和保護油脂的氣味和煙霧。

日常使用

1. 選擇功能
要選擇功能，將旋轉開關旋鈕旋轉到您需要的功能符號處。
2. 啟動/關閉烤箱
要啟動烤箱，將A旋轉按鈕旋轉到您需要的功能符號處。要關閉烤箱，將旋鈕旋A轉到「0」的位置。
3. 預熱
一旦激活該功能後，LED溫控器將開啓，指示預熱過程已開始。當該過程結束時，LED溫控器將關閉，指示烤箱已達到設定溫度：此時將食物放入，繼續烹飪。

請注意：預熱未完成就將食物放入烤箱，可能導致不同的烹飪結果。

4. 設定定時開關
這個位置不會打斷或激活烹飪，但是允許您在烤箱活動或關閉時均可以使用定時開關。
要激活定時器，將定時開關/順時針向右旋轉到底，然後逆時針旋轉到想要的時長：當倒計時完成時，將發出信號音提醒您。



烤箱功能表

烤箱有五個烹飪層。從較低的層數向上數。

功能	功能描述
烤箱關閉	用於關閉烤箱。
強制風	用於在幾個隔層（最大三個）上同時烹飪需要相同烹飪溫度的不同食物。該功能可以用來烹飪異味不會從一種食物傳送到其他食物的不同食物。
常規 (上下加熱)	只在一個擱層上烘烤各類盤裝食品。 最好使用第二層。
燒烤	用於燒烤肉排、烤肉串和香腸，烹飪蔬菜脆皮或烤麵包。烤肉時，我們建議使用托盤收集汁液：將平底盤放在烤架下面的任何擱層上，加入200 ml的飲用水。
風扇燒烤	用於烤大塊肉（烤肉腿、烤牛肉、烤雞）。我們建議使用托盤收集汁液：將平底盤放在烤架下面的任何擱層上，加入500 ml的飲用水。
對流烘烤	用於在一個擱層上烹飪帶多汁餡料的蛋糕。也可使用此功能在兩個擱層上進行烘烤。交換食物位置可使烘烤更加均勻。
解凍	用於更快地解凍食物。 將食物放置在烤箱腔體的中央的第三層
照明燈	用於開啓烹飪箱中的照明燈。

烹飪表

食物類型	功能	預熱	層數 (從下開始)	溫度 (°C)	烹飪時間 (分鐘)
甜點、糕點等					
發酵蛋糕		X	2	150-170	30-90
		X	4-1	160-180	30-90
餡餅 (乾酪蛋糕、果餡卷、水果派)		X	2	160-200	35-90
		X	4-2	160-200	40-90
餅乾/果餡點心		X	2/3	160-180	15-40
		X	4-2/5-3-1	150-170	20-45
泡芙皮		X	2	180-200	40-60
		X	4-2	170-190	35-50
蛋白甜餅		X	2	90	150-200
		X	4-2/5-3-1	90	140-200
麵包/比薩餅/意式麵包		X	1/2	220-250	10-40
		X	4-2	200-240	20-30
冷凍比薩餅		X	2	250	10-30
		X	4-2	230-250	10-30
美味餡餅 (蔬菜餅、法式蛋糕)		X	2	180-200	30-50
		X	4-2/5-3-1	180-200	30-60
酥皮餡餅/千層酥餅乾		X	2	190-200	20-30
		X	4-2/5-3-1	180-190	20-40
意大利千層麵、焗烤意麵、意式烤碎肉卷、果餡餅		X	2	190-200	45-65
千層麵和肉類		X	4-2	200	50-100***
肉類和土豆		X	4-1	190-200	45-100***
魚和蔬菜		X	4-1	180	30-50***
全套餐食水果蛋糕 (第5層) / 千層麵 (第3層) / 肉類 (第1層)		X	5-3-1	180-190	40-120***

食物類型	功能	預熱	層數 (從下開始)	溫度 (°C)	烹飪時間 (分鐘)
肉類					
烤肉2 kg		X	2	180-190	110-150
羊肉/小牛肉/牛肉 1Kg		X	2	190-200	80-120
雞肉/兔肉/鴨肉1Kg		X	2	200-230	50-100
火雞/鵝肉3Kg		X	2	180-200	150-200
魚					
烤魚/紙包食物0.5Kg (魚排、整魚)		X	2	170-190	30-50
蔬菜					
填餡蔬菜 (西紅柿、西葫蘆、茄子)		X	2	180-200	50-70

燒烤功能烹飪表

食物類型	功能	預熱	層數 (從下開始)	溫度 (°C)	烹飪時間 (分鐘)
土司		5'	5	250	2-6
魚排/魚片		5'	4/3	250	15-30*
香腸/肉串/排骨/漢堡		5'	5/4	250	15-30*
羊腿/肘子		-	3	200-220	60-90**
脆皮蔬菜		-	3	200-220	30-60**
烤土豆		-	3	200-220	30-60**
烤雞 1-1.3 Kg		-	3	200-220	60-90**
烤牛肉三分熟1Kg		-	3	200-220	30-60**

注意：烹飪溫度和時間僅供參考。

* 在烹飪中途翻轉食物。

** 在烹飪進行到三分之二時轉動食物 (如有必要)。

*** 估計的時間長度：可以根據個人偏好，在不同的時間將菜式取出。

清潔和維護

清潔

警告！

- 切勿使用蒸汽清潔設備。
- 在烤箱完全冷卻並可觸摸的情況下，方可進行清潔。
- 將家電的電源拔掉。

烤箱外部

- 重要資訊：**請勿使用具有腐蝕性或帶有磨料的清潔劑。如果此類清潔劑與烤箱接觸，立即用潮濕的抹布擦拭。
 - 用潮濕的抹布擦拭烤箱表面。如果烤箱非常臟，可在水中添加幾滴清潔劑。用乾布將其擦乾。

烤箱內部

- 重要資訊：**請勿使用磨砂海綿或金屬刮刀或硬毛刷清潔。隨著時間的推移，這些用具會損害搪瓷表面和烤箱門的玻璃。
 - 在每次使用後，使烤箱冷卻，然後在其仍然溫熱的情況下清洗，除去由食物殘渣（比如有高糖含量的食品）造成的污垢和污漬。
 - 使用專用的烤箱清潔劑，並按照製造商的說明進行操作。
 - 使用合適的液體清潔劑清潔門。可以拆下烤箱門，以便於清潔（參閱「保養」章節）。內玻璃是光滑的，以便進行清潔。

注意：具有高水含量的食品（例如比薩餅、蔬菜等）進行延長烹飪期間，可在門的內部及周圍的形成冷凝。待烤箱冷卻之後，用布或海綿擦乾門的內部。

配件

- 在使用後，立即將配件浸泡在有洗滌劑的水中，如果依然過熱，操作時請使用烤箱手套。
- 可以用刷子或海綿輕鬆去除食物殘渣。

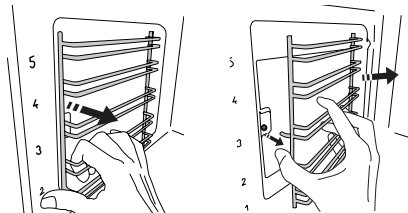
保養

警告！

- 使用安全手套。
- 在進行任何操作之前，請讓烤箱冷卻。
- 斷開烤箱電源。

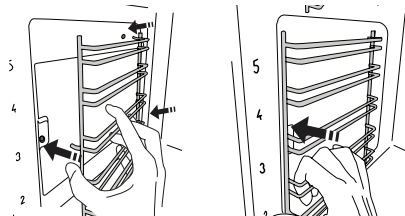
移除烤盤滑道

緊緊握住滑道的外部，將其朝您拉動，以便抽出支架和兩個內部插銷。



重新放置烤盤滑道

將它們靠近烤箱腔體，並將兩個插銷插入它們各自的鎖止位置。然後，將外部部分放置到鎖定位置，插入支架，並朝腔體內壁用力按下，確保烤盤滑道正確緊固。



拆下烤箱門

1. 將烤箱門完全打開。
2. 抬起卡夾，並將其前推，拆下（圖1）。

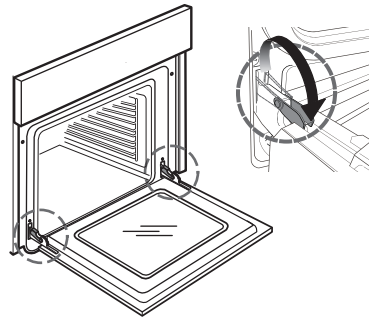


圖1

3. 關上烤箱門(A)，將其抬起(B)，旋轉(C)，直到其鬆動(D) (圖2、3、4)。

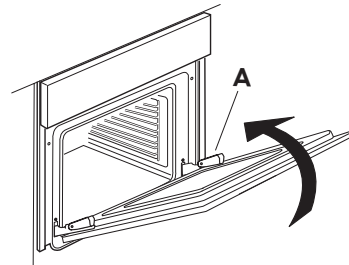


圖2

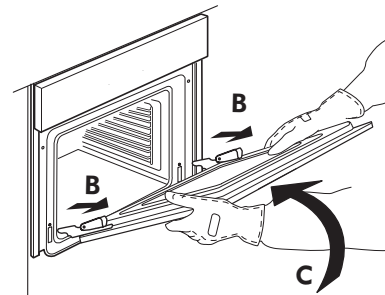


圖3

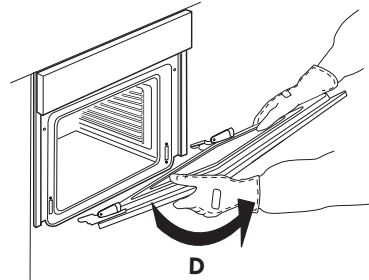


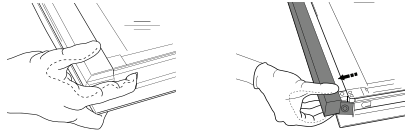
圖4

重新裝上烤箱門

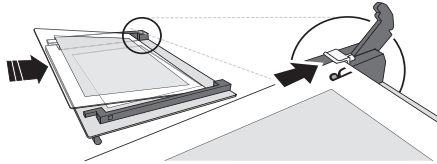
1. 將鉸鏈裝置重新安裝在原來的位置上。
2. 將烤箱門完全打開。
3. 降低兩個卡夾。
4. 關上烤箱門

清潔玻璃

1. 在將門拆下並手柄朝下放置在一個柔軟表面上後，同時按住兩個固定夾，朝自己的方向拉動門的上沿，將其拆下。



2. 用雙手牢牢抓住內側玻璃並抬起，將其拆下放在柔軟的表面上，然後進行清潔。對中間層玻璃進行同樣的操作。
3. 為了正確裝回中間層和內側玻璃，請確保左角的「R」可見。首先將玻璃標有「R」且較長的一側插入支架，然後將其放低，裝入正確的位置。



4. 重裝上沿：發出咔嗒聲表示裝入正確的位置。重新安裝門之前，先確保密封條安裝牢固。

更換烤箱燈

1. 斷開烤箱電源。

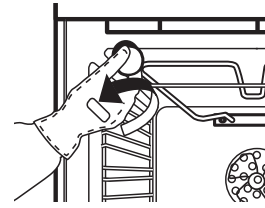


圖5

2. 鬆開燈泡外罩(圖5)，更換燈泡(注意燈泡類型)，然後重新裝上燈泡外罩。
3. 重新連接烤箱電源。

注意：

- 僅使用25 W/230 V類型G9，T300 °C鹵素燈。
- 設備使用的燈泡專門在電器上使用，不適用居家居照明（EC規定，編號244/2009）。
- 燈泡可以在宜家家居授權維修中心獲得。

發生了這些情況後，應該怎麼辦

問題	可能原因	解決方案
烤箱不工作。	主電源沒有電。	查看並確認主電源通電。
	烤箱並未連接到電源。	將烤箱連接到電源。
	烤箱開關旋轉到「☺」的位置。	將烤箱開關旋轉到某一烹飪功能處。

在撥打授權維修中心的電話前：

1. 看看是否能借助「發生了這些情況後，應該怎麼辦」中的建議自行解決問題。
2. 關閉設備，然後重新開啓，檢查問題是否依然存在。如果在以上檢查後仍然發生錯誤，聯絡宜家家居授權維修中心。同時提供：
 - 故障的簡要描述；
 - 烤箱的類型與確切型號；
 - 維修編號（銘牌上「維修」後顯示的編號），位於烤箱內腔右側邊緣（烤箱門打開的時候可見）；

SERVICE 0000 000 00000



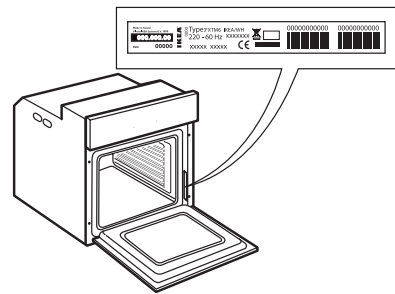
- 您的完整地址；
- 您的電話號碼。

如果需要進行維修，請聯絡宜家家居授權維修中心（以確保使用原裝零件和正確執行維修）。

技術資料

型號(Model Number)	MATALSKARE 205.082.53
外觀尺寸(Overall Size)	W595xH595xD550 (毫米)
容量(Capacity)	71 (公升)
溫度設定(Temperature Set Range)	50°C - 250°C
淨重(Net Weight)	26 (公斤)
額定電壓/額定頻率(Rated Voltage/Rated Frequency)	220-240V ~50-60Hz
消耗功率(Power Consumption)	2600-2900W
面板材質(Control Panel Material)	不鏽鋼

技術資訊位於設備內部的銘牌上。



安裝

烤箱門鎖定裝置

要打開帶有鎖定裝置的烤箱門，請參見圖1。

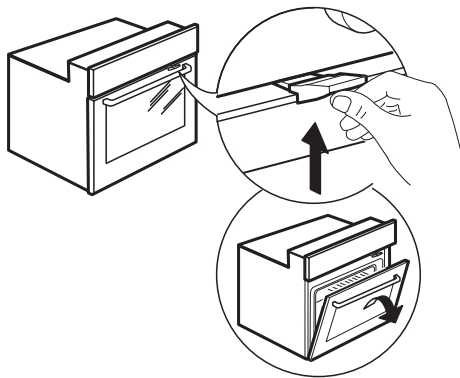


圖1

烤箱門安全裝置可以移除

請按照下圖中的順序進行操作（參見圖2）。

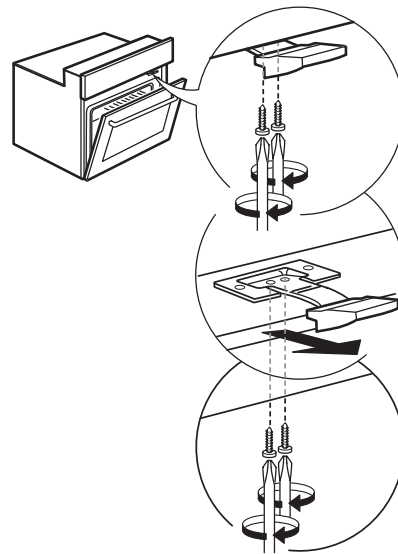


圖2

電氣連接

確保電器使用的電源電壓與銘牌規定的相符。銘牌位於烤箱的上緣（箱門打開時可見）。

電源線的連接（類型H05 V2V2 x 1,5 mm²）必須由專業電工操作。請聯絡宜家家居授權維修中心。

環境問題

△警告！在進行任何保養作業前請確認本家電已關閉並斷電——觸電風險。**切勿使用蒸汽清潔設備。**

△請勿使用烈性且具有腐蝕性的清潔劑或金屬刮刀清潔玻璃門，因為可能會划傷其表面，導致玻璃粉碎。

△開始任何清潔或維護操作之前，確保電器已經冷卻。——燙傷風險。

△警告！更換燈泡之前要關閉電器——觸電風險。


包裝材料廢棄處理

包裝材料均為100%可回收並有貼有回收標章。♻️故各部包裝材料均應依當地廢棄物處理主管機關法規妥善進行處理。

家電的報廢處理

本家電使用可回收或再利用之材料製成。請依照當地廢棄物處理規定處置。如需取得進一步有關處理、取回和回收家電之資訊，請與您當地合格授權機構、家用廢棄物回收服務或您購置該機器的店家聯絡。本家電的標示均依照針對廢棄電子與電器設備（WEEE）所制定的歐洲指令2012/19/EU。透過正確處理本產品，可避免對環境及人類健康造成負面影響。



產品或相關文件上的符號  表示其不可作為家用廢棄物處理，必須送合適之電子與電器回收中心。

節能貼士

只有在烹飪表或您的食譜中明確要求的情況下，方使用預熱烤箱。請使用深色漆或覆漆烘焙烤盤，因為它們吸收的熱量的能力較好。即使烤箱關閉，需要延長烹飪的食物仍會繼續。

限用物質含有情況標示聲明書
Declaration of the Presence Condition of the Restricted Substances

設備名稱：電烤箱 Product Name: Electric Oven		型號：MATALSKARE 205.082.53 Model: MATALSKARE 205.082.53				
單元Unit	限用物質及其化學符號 Restricted substances and its chemical symbols					
	鉛 Lead (Pb)	汞 Mercury (Hg)	鎘 Cadmium (Cd)	六價鉻 Hexavalent chromium (Cr+6)	多溴聯苯 Polybrominated biphenyls (PBB)	多溴二苯醚 Polybrominated diphenyl ethers (PBDE)
溫控器 Thermostat	○	○	○	○	○	○
玻璃部件 Glass parts	○	○	○	○	○	○
網格架 Grid rack	○	○	○	○	○	○
電源線 Power cord	○	○	○	○	○	○
馬俱 Harness	○	○	○	○	○	○
鉸鏈 Hinges	○	○	○	○	○	○
電動馬達 Electrical motor	○	○	○	○	○	○
电机 Electrical motor	○	○	○	○	○	○
電暖器 Heater	○	○	○	○	○	○
<p>備考1. “超出0.1 wt %” 及 “超出0.01 wt %” 係指限用物質之百分比含量超出百分比含量基準值。 Note 1 : “Exceeding 0.1 wt %” and “exceeding 0.01 wt %” indicate that the percentage content of the restricted substance exceeds the reference percentage value of presence condition.</p> <p>備考2. “○” 係指該項限用物質之百分比含量未超出百分比含量基準值。 Note 2 : “○” indicates that the percentage content of the restricted substance does not exceed the percentage of reference value of presence.</p> <p>備考3. “—” 係指該項限用物質為排除項目。 Note 3 : The “—” indicates that the restricted substance corresponds to the exemption</p>						

進口商：
宜家家居股份有限公司
114台北市內湖區舊宗路一段128號

製造商：
Ikea of Sweden AB
SE - 343 81 Älmhult, Sweden

宜家質保

宜家的質保有有效期是多長？

從您在宜家購買電器的日期開始，質保有有效期為五 (5) 年。原始的銷售憑據將作為購買憑證。如果維修工作在質保下進行，該工作不會延長電器的質保期限。

誰會執行維修？

宜家的維修供應商將通過其自有的維修操作或授權的維修合作夥伴網絡提供維修服務。

本質保涵蓋哪些內容？

於 IKEA 購買當日起，由結構缺陷或材料缺陷所造成的家電用品故障，皆涵蓋在此保證之服務內。此保證僅適用於家庭使用範圍內。例外狀況在標題為「此保證不涵蓋哪些項目？」部分內有詳細說明。在此保證期間之內，只要該家電用品無須特殊費用即可進行維修，則維修故障的零件、人力和交通等費用均包含在保證的範圍內。在這些條件之下，適用各項當地法規。更換後的零件即屬 IKEA 的財產。

宜家將做什麼來糾正問題？

宜家指定的維修供應商將自主檢查產品並確定產品是否受質保保護。如果確認能獲得質保，宜家維修供應商或其自有維修業務中授權維修合作夥伴將自主維修發生故障的產品，或以相同或相似的產品來替換。

哪些問題質保不涵蓋？

- 正常磨損和撕裂。
- 故意或疏忽導致的損壞，未遵守操作說明、錯誤安裝或使用錯誤電壓而造成的損壞，化學或電化學反應、鏽蝕、水造成的損壞，包括但不限於自來水中過量的石灰、異常環境條件造成的損壞。
- 消耗品，包括電池和燈泡。
- 非功能性和裝飾性的部件，不影響電器正常使用的，包括任何划痕和可能的色差。
- 外來物品或物質、清潔或清理濾網、下水道系統或肥皂抽屜造成的事故性損壞。
- 下列部件的損壞：瓷杯、配件、陶器、餐具籃、進水和出水管道、封裝、燈泡和燈罩、屏幕、旋轉開關、機殼和機殼部件。除非可以證明這些損壞由產品故障引起。
- 技師上門服務時未發現任何故障的。
- 並非由我們制定的維修供應商和/或授權維修承包合作夥伴進行維修，或使用非原廠替換件的。
- 錯誤安裝或未按照規格安裝所造成的維修。
- 在非家用環境使用電器，也即將電器用於專業用途的。
- 運輸損壞。如果客戶將產品運輸到家中或另一地址，宜家對運輸途中發生的任何損壞都不負責任。但是，如果宜家將產品遞送到客戶的投遞地址，那麼在投遞過程中發生的產品損壞將由宜家負責。
- 初次安裝宜家電器的費用。
- 但是，如果一個宜家指定的維修供應商或其授權維修合作夥伴在本質保條款下維修或更換電器，指定的維修供應商或其授權維修合作夥伴將在必要時重新安裝維修後的電器或替換電器。
- 所有的管道和電氣裝設皆非 IKEA 的責任，客戶必須在執行作業之前完成這些工作。

國家法律如何適用

宜家質保保障了您具體的法律權利，可能涵蓋或超出了當地的法律要求。但是，這些條件無論如何都不會限制當地法律規定的消費者權益。

有效區域

此保固僅在購買產品的國家中有效；服務將在保證條件的架構中提供。僅在家電用品符合並依照以下安裝時，才具執行保證架構中服務之義務：

- 提出質保索賠所在國家的技術規格；
- 安裝說明和用戶手冊安全資訊。

宜家電器售後專線

請聯絡宜家指定的授權維修中心來：

- 提出本質保內的維修請求；
- 索取在專用的宜家廚房家具中安裝宜家電器的相關資訊；
- 詢問宜家電器功能的資訊。

為了確保我們能夠為您提供最好的幫助，請在聯絡我們之前仔細閱讀安裝說明和/或用戶手冊。

如果您需要我們的服務，如何才能聯絡到我們



IKEA 售後客戶服務中心將會協助您，在您致電提出服務要求的時候，以電話的形式，針對您的家電用品為您提供基本的疑難排解服務。請參閱

www.IKEA.com

並選取您的當地店鋪，已取得當地店鋪電話號碼與營業時間

i 在您聯繫我們之前，請確認您手邊已有需要服務電器的IKEA貨號（8位數代碼）和序號（在額定銘牌上可以找到8位數代碼）。

i 保管好銷售憑單！這是您的購買憑證，在使用質保時需要出示。銷售憑單也寫明了您購買的每一款電器的宜家名稱和商品代碼（八位數）。

您需要額外的幫助嗎？

對於任何和您的電器售後服務無關的問題，請聯絡離您最近的宜家商場呼叫中心。我們建議您在聯絡我們之前仔細閱讀電器文檔。

Daftar Isi

Informasi Keselamatan	44	Apa yang harus dilakukan jika ...	51
Deskripsi produk	46	Data teknis	51
Panel kendali	46	Pemasangan	52
Penggunaan pertama	46	Sambungan listrik	52
Penggunaan sehari-hari	47	Hal-hal terkait lingkungan	53
Tabel masakan	48	GARANSI IKEA	54
Pembersihan dan perawatan	49		

Informasi Keselamatan

Sebelum menggunakan alat, baca instruksi keselamatan ini. Simpan di tempat yang mudah dijangkau agar dapat digunakan sebagai acuan di kemudian hari. Instruksi dan alat ini memiliki pesan peringatan terkait keselamatan penting yang harus diperhatikan setiap saat. Produsen tidak bertanggung jawab atas kerusakan akibat mengabaikan instruksi keselamatan, kesalahan penggunaan alat atau pengaturan kendali yang salah.

PERINGATAN KESELAMATAN

⚠ Jauhkan dari jangkauan anak-anak kecil (0-3 tahun). Jauhkan dari jangkauan anak yang lebih besar (3-8 tahun) kecuali di bawah pengawasan orang dewasa. Anak di atas 8 tahun dan orang dewasa dengan keterbatasan kemampuan fisik, sensorik atau mental atau yang tidak berpengalaman dapat menggunakan alat ini apabila mereka dibantu oleh orang lain atau telah diajari cara menggunakan yang benar serta memahami bahayanya. Anak-anak tidak diperbolehkan bermain dengan alat ini. Pembersihan dan perawatan tidak boleh dilakukan oleh anak-anak tanpa pengawasan.

⚠ **PERINGATAN!** Alat serta komponen yang mudah dijangkau bisa menjadi sangat panas saat digunakan. Berhati-hatilah agar tidak menyentuh komponen yang panas. Jauhkan dari jangkauan anak-anak di bawah 8 tahun kecuali di bawah pengawasan terus-menerus.

⚠ **PERINGATAN!** Jangan pernah meninggalkan alat tanpa pengawasan selama pengeringan makanan. Jika alat dapat digunakan untuk penggunaan probe, hanya gunakan probe suhu yang direkomendasikan untuk oven ini - dapat menyebabkan kebakaran.

⚠ Jauhkan kain atau bahan yang mudah terbakar dari alat ini, hingga seluruh komponen telah mendingin sepenuhnya - dapat menyebabkan kebakaran.

Waspadalah saat memasak makanan yang kaya akan lemak, minyak atau saat menambahkan minuman beralkohol - dapat menyebabkan kebakaran. Gunakan sarung tangan oven untuk mengambil wajan dan aksesori lainnya. Di akhir sesi memasak, buka pintu dengan hati-hati: agar udara atau uap panas dapat keluar secara bertahap sebelum memasuki rongga - dapat menyebabkan kebakaran. Jangan menghalangi saluran udara panas di depan oven - dapat menyebabkan kebakaran.

⚠ Waspadalah saat pintu oven dalam kondisi terbuka, agar tidak menabrak pintu.

PENGGUNAAN YANG DIPERBOLEHKAN

⚠ **HATI-HATI:** alat ini tidak dirancang untuk digunakan melalui perangkat switch eksternal, seperti timer, atau sistem kendali jarak jauh terpisah.

⚠ Alat ini dirancang untuk digunakan dalam rumah tangga atau yang sejenis seperti: area dapur pegawai di toko, kantor dan lingkungan kerja lainnya; rumah tani; oleh pengguna di hotel, motel, penginapan dan lingkungan tempat tinggal lainnya.

⚠ Alat ini tidak dirancang untuk penggunaan profesional. Jangan gunakan alat ini di luar ruangan.

Penggunaan lainnya tidak diperbolehkan (mis. ruangan pemanas).

⚠ Jangan simpan zat peledak atau yang mudah terbakar (mis. bensin atau kaleng aerosol) di dalam atau di dekat alat - dapat menyebabkan kebakaran.

PEMASANGAN

⚠ Alat ini harus ditangani dan dipasang oleh dua orang atau lebih - risiko cedera. Gunakan sarung tangan pelindung untuk membuka kemasan dan memasang - risiko tergores.

⚠ Pemasangan, termasuk suplai air

(jika ada) dan sambungan listrik, dan perbaikan harus dilakukan oleh teknisi yang berkualifikasi. Jangan perbaiki atau mengganti komponen pada alat kecuali telah dijelaskan di dalam manual pengguna. Jauhkan anak-anak dari lokasi pemasangan. Setelah membuka kemasan alat, pastikan tidak ada yang rusak selama pengiriman. Jika ada masalah, hubungi dealer atau Layanan Purna-jual terdekat. Apabila telah dipasang, sampah kemasan (plastik, styrofoam dll.) harus disimpan jauh dari jangkauan anak-anak - risiko sesak nafas. Jangan hubungkan alat dengan listrik sebelum dipasang - risiko tersetrum. Selama pemasangan, pastikan alat tidak merusak kabel daya - risiko terbakar atau tersetrum. Hanya aktifkan alat apabila pemasangan telah selesai.

⚠ Lakukan seluruh pekerjaan pemotongan kabinet sebelum memasang alat ke furnitur dan bersihkan sisa-sisa kayu dan debu.

Jangan halangi celah minimum antara sudut meja dengan sudut atas oven - risiko terbakar.

Jangan lepaskan alas busa polystyrene dari oven hingga saatnya akan dipasang.

⚠ Setelah pemasangan, pastikan bagian bawah alat sudah tidak dapat dijangkau lagi - risiko terbakar.

⚠ Jangan pasang alat di belakang pintu ukiran - risiko kebakaran.

PERINGATAN KELISTRIKAN

⚠ Pelat rating ada pada tepi depan oven (dapat dilihat saat pintu dibuka).

⚠ Alat dapat dilepaskan dari suplai daya dengan mencabut steker jika dapat diakses, atau dengan switch kutub ganda yang terpasang di hulu soket dan alat harus dibumikan, sesuai dengan standar keselamatan listrik nasional.

⚠ Jangan gunakan kabel terminal, soket ganda atau adaptor. Pastikan komponen listrik tidak dapat diakses oleh pengguna setelah pemasangan.

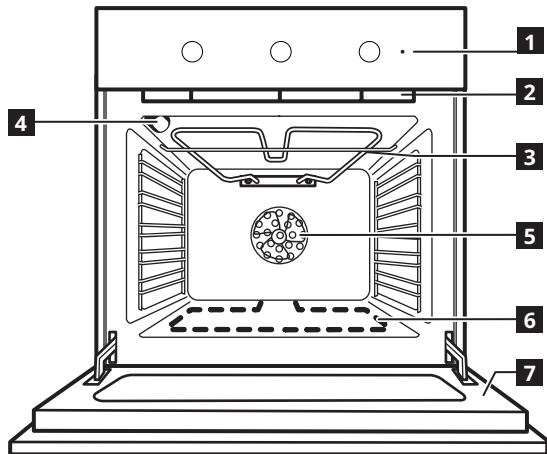
Jangan gunakan alat jika badan Anda sedang basah atau tanpa alas kaki.

Jangan operasikan alat ini jika terdapat kerusakan pada kabel daya atau colokan, jika tidak dapat beroperasi dengan benar, atau jika sudah pernah rusak atau terjatuh.

⚠ Jika kabel suplai rusak, harus diganti dengan yang sama oleh produsen, agen servis atau orang yang berkualifikasi untuk menghindari bahaya - risiko tersetrum.

⚠ Apabila ingin mengganti kabel daya, hubungi pusat servis resmi.

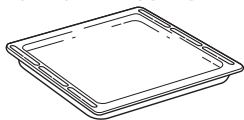
Deskripsi produk



- 1** Panel kendali
- 2** Kipas pendingin (tidak terlihat)
- 3** Elemen pemanggang
- 4** Lampu oven
- 5** Kipas oven
- 6** Elemen pemanas bawah (tersembunyi)
- 7** Pintu oven

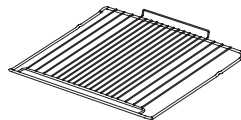
Aksesori

Nampan pemanggang



1x

Rak oven



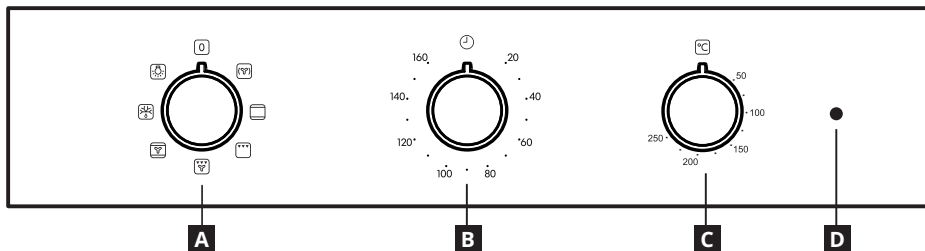
1x

Memasang rak oven dan aksesori lainnya

Pasang rak oven sesuai ketinggian yang Anda inginkan dengan memegangnya sedikit miring ke atas dan meletakkannya bagian belakang yang terangkat (menghadap atas) ke bawah terlebih dahulu. Selanjutnya, geser secara horizontal di sepanjang jalur rak sejauh mungkin.

Aksesori lainnya, seperti nampan pemanggang, dimasukkan secara horizontal dengan menggesernya di sepanjang jalur rak. Jika Anda ingin membeli aksesori, hubungi Pusat Servis Resmi.

Panel kendali



- A** Knop pemilih
- B** Knop waktu
- C** Knop pengatur suhu
- D** Pengatur suhu/pra-pemanasan Led

Penggunaan pertama

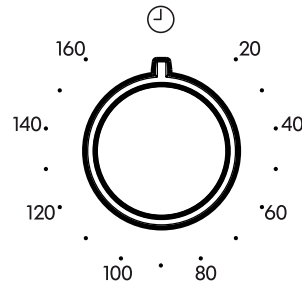
Lepaskan aksesori dari oven dan panaskan pada suhu 200° selama sekitar satu jam untuk menghilangkan bau dan uap dari bahan insulasi dan gemuk pelindung.

Penggunaan sehari-hari

- 1. Pilih fungsi**
Untuk memilih fungsi, atur *knop pemilih* ke simbol fungsi yang Anda perlukan.
- 2. Nyalakan/matikan oven**
Untuk menyalakan oven atur **A** knop ke fungsi yang diinginkan, untuk mematikan atur **A** knop ke posisi "0".
- 3. Pra-pemanasan**
Ketika fungsi diaktifkan, pengatur suhu LED akan memberi sinyal bahwa proses pra-pemanasan telah dimulai. Di akhir proses ini, pengatur suhu LED akan mati yang menunjukkan bahwa oven telah mencapai suhu yang ditentukan: Pada tahap ini, masukkan makanan dan lanjutkan proses memasak.








Harap perhatikan: Meletakkan makanan di oven sebelum pra-pemanasan selesai dapat membuat hasil masakan kurang baik.

- 4. Mengatur timer**
Opsi ini tidak mengganggu atau mengaktifkan proses memasak tetapi memungkinkan Anda untuk menggunakan pengingat waktu saat sebuah fungsi sedang berjalan dan saat oven mati.
Untuk mengaktifkan timer, putar *knop timer* ke kanan searah jarum jam kemudian putar kembali ke arah berlawanan sesuai durasi yang diinginkan: sinyal suara akan memberi Anda peringatan saat penghitung waktu mundur telah selesai.



Tabel fungsi oven

Oven ini memiliki 5 level proses memasak. Hitung dari level bawah.

Fungsi	Deskripsi fungsi
0	OVEN MATI Untuk mematikan oven.
	UDARA PAKSA Untuk memasak makanan berbeda yang memerlukan suhu memasak yang sama di beberapa rak (maksimal tiga) di saat yang bersamaan. Fungsi ini dapat digunakan untuk memasak makanan yang berbeda tanpa adanya gangguan bau dari satu makanan ke makanan lain.
	KONVENSIONAL (Panas Atas dan Bawah) Untuk memasak makanan apa pun di dalam satu rak. Lebih baik memakai rak kedua.
	MEMANGGANG Untuk memanggang steak, kebab dan sosis, memasak sayur au gratin atau memanggang roti. Saat memanggang daging, kami sarankan untuk menggunakan nampan tinggi untuk mengumpulkan air dari hasil masakan: posisikan wajan di ketinggian mana saja di bawah rak pemanggang dan tambahkan 200 ml air minum.
	MEMANGGANG DENGAN KIPAS Untuk memanggang daging besar (kaki, sapi panggang, ayam). Kami sarankan untuk menggunakan nampan tinggi untuk mengumpulkan air dari hasil masakan: posisikan wajan di ketinggian mana saja di bawah rak pemanggang dan tambahkan 500 ml air minum.
	PEMANGGANG KONVEKSI Untuk memanggang kue dengan isian cair di rak tunggal. Fungsi ini juga dapat digunakan untuk memasak di dua rak. Tukar posisi makanan agar proses memasak lebih rata.
	MENCAIRKAN Untuk mencairkan makanan lebih cepat. Letakkan makanan di bagian tengah rongga, level 3
	LAMPU Untuk menyalakan lampu di kompartemen.

Tabel masakan

Jenis makanan	Fungsi	Pra-pemanasan	Level (dari bawah)	Suhu (°C)	Waktu memasak (mnt)
MAKANAN MANIS, PASTRY, DLL					
Kue mengembang		X	2	150-170	30-90
		X	4-1	160-180	30-90
Pie isi (cheesecake, strudel, pie buah)		X	2	160-200	35-90
		X	4-2	160-200	40-90
Biskuit/tart		X	2/3	160-180	15-40
		X	4-2/5-3-1	150-170	20-45
Roti choux		X	2	180-200	40-60
		X	4-2	170-190	35-50
Meringue		X	2	90	150-200
		X	4-2/5-3-1	90	140-200
Roti/pizza/focaccia		X	1/2	220-250	10-40
		X	4-2	200-240	20-30
Pizza beku		X	2	250	10-30
		X	4-2	230-250	10-30
Pie gurih (pie sayur, quiche)		X	2	180-200	30-50
		X	4-2/5-3-1	180-200	30-60
Vols-au-vent/Cracker kue pastry		X	2	190-200	20-30
		X	4-2/5-3-1	180-190	20-40
Lasagna, pasta panggang, cannelloni, flan		X	2	190-200	45-65
Lasagna & Daging		X	4-2	200	50-100***
Daging & Kentang		X	4-1	190-200	45-100***
Ikan & Sayur		X	4-1	180	30-50***
Makanan lengkap Tar buah (Level 5) / Lasagna (Level 3) / Daging (Level 1)		X	5-3-1	180-190	40-120***
DAGING					
Daging Panggang 2 kg		X	2	180-190	110-150
Kambing/Lembu/Sapi 1 Kg		X	2	190-200	80-120
Ayam/Kelinci/Bebek 1 Kg		X	2	200-230	50-100
Kalkun/Angsa 3 Kg		X	2	180-200	150-200
IKAN					
Ikan panggang/en papillote 0,5 Kg (fillet, utuh)		X	2	170-190	30-50
SAYUR					
Sayur isi (tomat, zukini, terong)		X	2	180-200	50-70

Tabel masakan dengan fungsi PANGGANG

Jenis makanan	Fungsi	Pra-pemanasan	Level (dari bawah)	Suhu (°C)	Waktu memasak (mnt)
Roti bakar		5'	5	250	2-6
Ikan fillet/iris		5'	4/3	250	15-30*
Sosis/kebab/iga/hamburger		5'	5/4	250	15-30*
Kaki kambing		-	3	200-220	60-90**
Gratin sayur		-	3	200-220	30-60**
Kentang panggang		-	3	200-220	30-60**
Ayam panggang 1-1,3 Kg		-	3	200-220	60-90**
Daging sapi panggang mentah 1 Kg		-	3	200-220	30-60**

Catatan: suhu dan waktu memasak hanya sebagai panduan.

* Balik makanan di tengah proses memasak

** Balik makanan di dua pertiga jalannya proses memasak (jika diperlukan).

*** Waktu yang diprediksikan: makanan dapat diangkat dari oven pada waktu yang berbeda sesuai keinginan Anda.

Pembersihan dan perawatan

PEMBERSIHAN

PERINGATAN!

- Jangan pernah gunakan alat pembersih uap.
- Hanya bersihkan oven apabila sudah dingin saat disentuh.
- Lepaskan alat dari suplai daya.

Eksterior oven

- PENTING:** jangan gunakan deterjen yang bersifat korosif atau abrasif. jika alat tidak sengaja terkena produk seperti ini, segera bersihkan dengan kain basah.
- Bersihkan permukaan dengan kain basah. Jika sangat kotor, tambahkan beberapa tetes deterjen pencuci ke dalam air. Akhiri dengan mengelapnya memakai kain kering.

Interior oven

- PENTING:** jangan gunakan spons yang bersifat abrasif atau pengikis atau penggosok logam. Seiring berjalannya waktu, hal ini dapat merusak permukaan enamel dan kaca pintu oven.

- Setelah digunakan, biarkan oven mendingin kemudian bersihkan saat masih agak hangat agar dapat menghilangkan tumpukan kotoran dan noda yang disebabkan sisa-sisa makanan (mis. makanan dengan kandungan gula tinggi).
- Gunakan deterjen oven dan ikuti arahan produsen yang tertera.
- Bersihkan kaca pintu dengan deterjen cair yang sesuai. Pintu oven dapat dilepas agar memudahkan pembersihan (lihat PERAWATAN). Kaca bagian dalam lembut untuk memudahkan pembersihan.

CATATAN: selama proses memasak yang lama dengan kandungan air yang tinggi (mis. pizza, sayuran, dll) akan terbentuk embun di dalam pintu dan di sekitar segel. Saat oven dingin, keringkan bagian dalam pintu dengan kain atau spons.

Aksesori

- Rendam aksesoris di dalam air dengan deterjen cuci segera setelah digunakan, tangani dengan sarung tangan oven jika masih panas.
- Sisa makanan dapat dengan mudah dihilangkan menggunakan sikat atau spons.

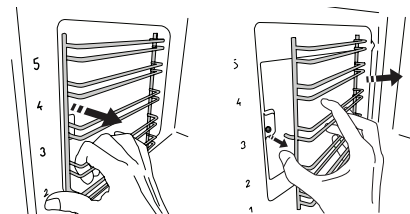
PERAWATAN

PERINGATAN!

- Gunakan sarung tangan keselamatan.
- Pastikan oven sudah dingin sebelum melakukan pengoperasian berikut.
- Lepaskan oven dari suplai daya.

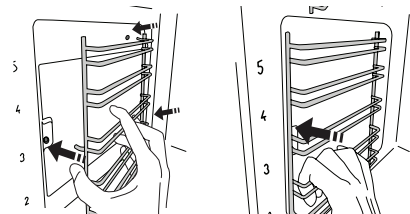
Untuk melepaskan jalur rak

pegang dengan kuat komponen luar pada jalur, dan tarik ke arah Anda untuk mengeluarkan penahan dan dua pin dalam dari lubang.



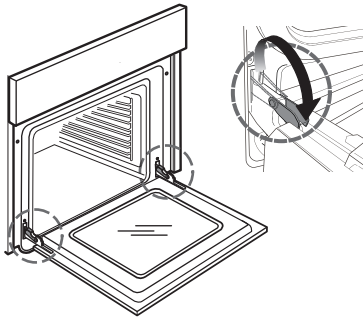
Untuk memosisikan ulang jalur rak

posisikan di dekat rongga dan masukkan dua pin ke dalam lubang. Selanjutnya, posisikan komponen luar di dekat lubangnya, masukkan penahan, dan tekan dengan kuat ke arah dinding rongga untuk memastikan jalur rak terpasang dengan benar.



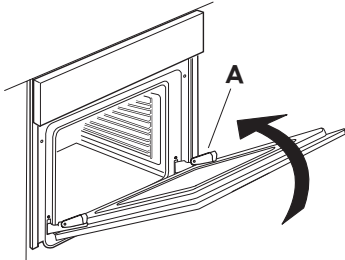
Untuk melepaskan pintu

1. Buka pintu sepenuhnya.
2. Angkat penjepit dan dorong ke depan sejauh mungkin. (Gbr. 1).

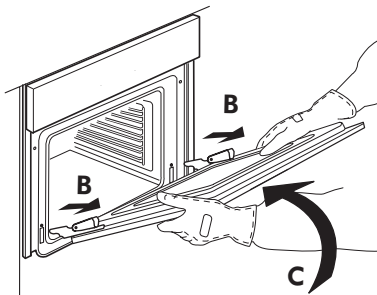


Gbr. 1

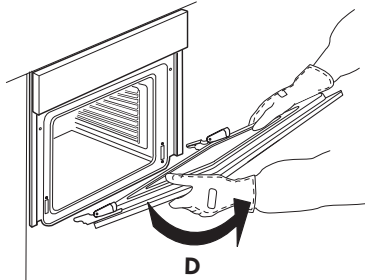
3. Tutup pintu sejauh mungkin (A), angkat (B) dan putar (C) hingga terlepas (D) (Gbr. 2, 3, 4).



Gbr. 2



Gbr. 3



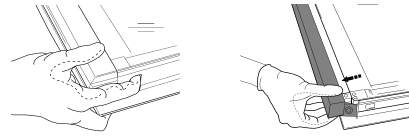
Gbr. 4

Untuk memasang kembali pintu

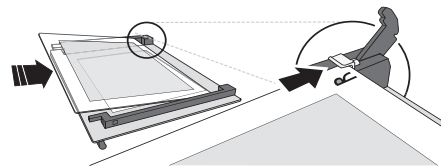
1. Masukkan engsel ke dudukannya.
2. Buka pintu sepenuhnya.
3. Turunkan kedua penjepit.
4. Tutup pintu

Bersihkan kaca

1. Setelah melepaskan pintu dan menaruhnya di atas permukaan yang halus dengan gagang menghadap ke bawah, tekan kedua pin penahan secara bersamaan dan lepaskan tepi atas pintu dengan menarik ke arah Anda.



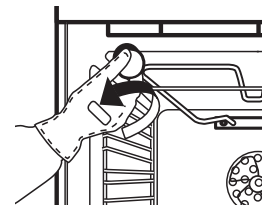
2. Angkat dan pegang kaca dalam dengan kuat menggunakan kedua tangan Anda, lepaskan kaca dan letakkan di atas permukaan halus sebelum membersihkannya. Lakukan hal yang sama untuk kaca tengah.
3. Untuk memosisikan ulang kaca tengah dan dalam dengan benar, pastikan tanda "R" dapat terlihat di sudut kiri. Pertama masukkan sisi kaca yang panjang dengan tanda "R" ke dudukan penahan, kemudian turunkan ke posisinya.



4. Pasang kembali tepi atas: Jika terdengar bunyi klik berarti posisinya sudah benar. Pastikan segelnya aman sebelum memasang kembali pintu.

Untuk mengganti lampu

1. Lepaskan oven dari suplai daya.



Gbr. 5

2. Lepaskan sekrup cover lampu (Gbr. 5), ganti lampu (lihat catatan untuk jenis lampu) dan sekrup kembali cover lampu.
3. Hubungkan kembali oven ke suplai daya.

CATATAN:

- Hanya gunakan lampu halogen 25W/230 V tipe G9, T300°C.
- Lampu yang digunakan pada alat dirancang secara khusus untuk alat listrik dan tidak cocok untuk pencahayaan ruangan rumah tangga (Commission Regulation (EC) No 244/2009).
- Lampu tersedia dari Pusat Servis Resmi IKEA.

Apa yang harus dilakukan jika ...

Masalah	Kemungkinan penyebab	Solusi
Oven tidak bekerja.	Tidak ada daya listrik.	Pastikan tidak ada daya listrik.
	Oven tidak terhubung dengan listrik.	Hubungkan oven ke suplai daya.
	Selektor oven diputar ke "☺".	Putar selektor dan pilih fungsi memasak.

Sebelum menelepon Pusat Servis Resmi:

- Lihat apakah Anda dapat mengatasi masalah sendiri dengan bantuan saran yang diberikan pada tabel "Apa yang harus dilakukan jika ...".
- Matikan alat dan nyalakan kembali untuk melihat apakah kesalahan tetap terjadi.
Jika setelah pengecekan di atas kesalahan tetap terjadi, hubungi Pusat Servis Resmi IKEA.

Selalu cantumkan:

- deskripsi singkat kesalahan;
- jenis dan model oven dengan tepat;
- nomor servis (nomor setelah kata Servis pada pelat rating), terletak di tepi kanan rongga oven (dapat terlihat ketika pintu oven terbuka);

SERVICE 0000 000 00000



- alamat lengkap Anda;
- nomor telepon Anda.

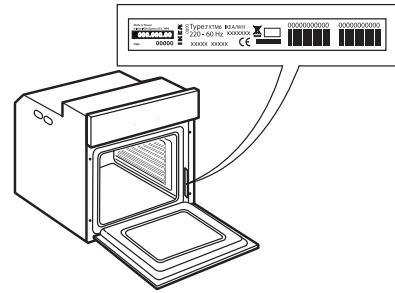
Jika diperlukan perbaikan, silakan hubungi Pusat Servis Resmi IKEA (untuk menjamin keaslian suku cadang yang digunakan dan perbaikan dilakukan dengan benar).

Data teknis

Jenis produk: Oven Listrik Tanam	
Identifikasi model: MATÅLSKARE 205.082.53	
Jumlah ruang	1
Sumber panas	Listrik
Jumlah fungsi	6
Volume yang dapat digunakan. Diukur dengan grid samping dan panel katalitik yang dilepas	71
Area nampan pemanggang paling besar cm ²	1191
Kelas Efisiensi Energi (Konsumsi Terendah)	A
Indeks Efisiensi Energi	95,3
Konsumsi energi Fungsi konvensional (dengan beban standar dan pemanas atas + bawah) kWh/siklus	0,99
Konsumsi energi Fungsi Kipas Paksa (dengan beban standar dan pemanas udara paksa) kWh/siklus	0,81
Elemen pemanas atas W	2500
Elemen pemanas bawah W	1150
Elemen pemanas panggangan W	2500
Elemen pemanas kipas W	1800
Kipas pendingin W	15
Lampu oven W	25
Watt Kipas Oven W	22
Rating total W	2600-2900
Dimensi	
Panjang mm	595
Tinggi mm	595
Lebar mm	550
Berat alat MATÅLSKARE besi tahan karat Kg	26

Data teknis

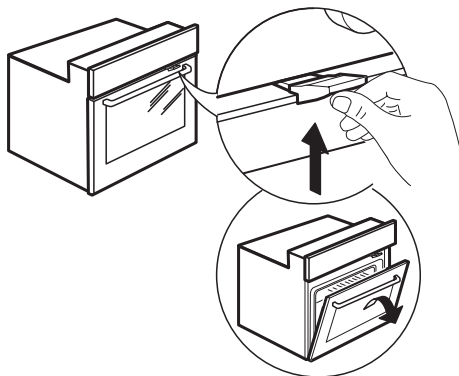
Informasi teknis tertera pada pelat rating di bagian dalam alat.



Pemasangan

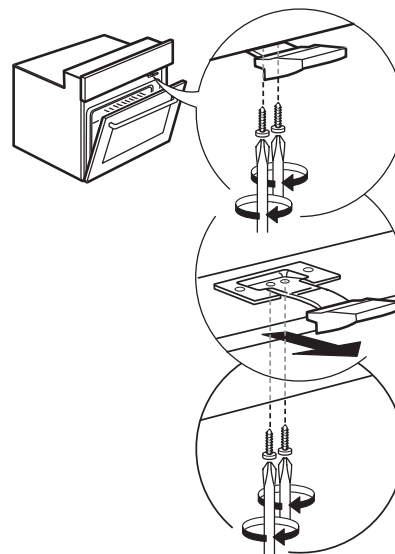
Perangkat kunci pintu

Untuk membuka pintu dengan perangkat kunci pintu lihat Gbr 1.



Gbr. 1

Perangkat keselamatan pintu dapat dilepas dengan mengikuti urutan gambar (lihat Gbr. 2).



Gbr. 2

Sambungan listrik

Pastikan tegangan daya yang ditentukan pada pelat rating alat sama dengan tegangan utama. Pelat rating ada pada tepi depan oven (dapat dilihat saat pintu dibuka).

Penggantian kabel daya (tipe H05 V2V2 x 1,5 mm²) harus dilakukan oleh teknisi yang berkualifikasi. Hubungi Pusat Servis Resmi IKEA.

Hal-hal terkait lingkungan


⚠️ PERINGATAN! Pastikan alat telah dimatikan dan dicabut dari suplai daya sebelum melakukan tindakan perawatan - risiko tersetrum. Jangan pernah gunakan alat pembersih uap.

⚠️ Jangan gunakan pembersih abrasif yang keras atau pengikis logam untuk membersihkan kaca pintu karena dapat menggores permukaan, sehingga mengakibatkan kaca rusak.

⚠️ Pastikan alat sudah dingin sebelum melakukan pembersihan atau perawatan. - risiko terbakar.

⚠️ PERINGATAN! Matikan alat sebelum mengganti lampu - risiko tersetrum.

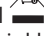
PEMBUANGAN BAHAN KEMASAN

Bahan kemasan 100% dapat didaur ulang dan memiliki tanda simbol daur ulang.  Bagian dari kemasan harus dibuang dengan cara yang sesuai dengan peraturan setempat tentang pembuangan limbah.

PEMBUANGAN ALAT RUMAH TANGGA

Alat ini diproduksi dengan bahan yang dapat didaur ulang dan digunakan kembali. Buang alat sesuai dengan peraturan pembuangan limbah setempat. Untuk informasi lebih lanjut tentang penanganan, pemulihan dan daur ulang alat listrik rumah tangga, hubungi pemerintah setempat, layanan kolektif limbah rumah tangga atau taruh di tempat Anda membeli alat. Alat ini ditandai sesuai dengan European Directive 2012/19/EU, Waste Electrical and Electronic Equipment (WEEE). Dengan memastikan produk ini dibuang dengan benar, Anda akan membantu mencegah dampak negatif terhadap lingkungan dan kesehatan manusia.



Simbol  pada produk atau dokumen pendukung menunjukkan bahwa alat ini tidak boleh dianggap sebagai limbah rumah tangga tetapi harus dibawa ke pusat pembuangan yang tepat untuk mendaur ulang alat listrik dan elektronik.

TIPS HEMAT ENERGI

Panaskan oven hanya jika disarankan oleh tabel masakan atau resep Anda. Gunakan baki pemanggang berpermis gelap atau enamel karena dapat lebih menyerap panas dengan baik. Makanan yang memerlukan proses memasak yang lama akan melanjutkan proses memasak meskipun oven telah dimatikan.

GARANSI IKEA

Berapa lama garansi IKEA berlaku?

Garansi ini berlaku selama lima (5) tahun dari tanggal pembelian asli dari alat Anda di IKEA. Struk pembelian asli, diperlukan sebagai bukti pembelian. Jika pekerjaan servis dilakukan dengan garansi, ini tidak akan memperpanjang masa garansi alat.

Siapa yang akan melakukan servis?

Penyedia layanan IKEA akan memberikan layanan melalui pengoperasian servisnya sendiri atau jaringan partner servis resmi.

Apa saja yang tercakup dalam garansi ini?

Garansi mencakup kerusakan alat, yang disebabkan oleh kerusakan pembuatan atau kerusakan material sejak tanggal pembelian dari IKEA. Garansi ini hanya berlaku untuk penggunaan rumah tangga. Pengecualian ditentukan di dalam judul "Apa yang tidak tercakup dalam garansi ini?" Dalam masa garansi, biaya untuk memperbaiki kesalahan, misalnya perbaikan, suku cadang, tenaga kerja, dan perjalanan akan ditanggung, asalkan alat pada saat perbaikan tidak memerlukan pengeluaran khusus. Pada kondisi tersebut, berlaku peraturan daerah masing-masing. Suku cadang yang diganti menjadi milik IKEA.

Apa yang akan IKEA lakukan untuk menyelesaikan masalah?

Penyedia Layanan IKEA yang ditunjuk akan memeriksa produk dan memutuskan, sesuai kebijakannya sendiri, apakah akan ditanggung oleh garansi. Jika ditanggung oleh garansi, Penyedia Layanan IKEA atau partner servis resminya melalui pengoperasian servis mandiri akan melakukan perbaikan produk yang cacat atau menggantinya dengan produk yang sama atau sebanding.

Apa saja yang tidak tercakup dalam garansi ini?

- Keausan normal.
- Kerusakan yang disengaja atau akibat kelalaian, kerusakan akibat tidak membaca instruksi pengoperasian, pemasangan yang salah atau menghubungkan ke tegangan yang salah, kerusakan akibat reaksi kimia atau elektrokimia, karat, korosi atau kerusakan karena air termasuk namun tidak terbatas pada kerusakan akibat terlalu banyak asam pada suplai air, kerusakan akibat kondisi lingkungan yang tidak normal.
- Komponen habis pakai termasuk baterai dan lampu.
- Komponen non-fungsional yang tidak memengaruhi penggunaan normal alat, termasuk goresan dan perbedaan warna.
- Kerusakan tidak disengaja akibat benda atau zat asing dan membersihkan atau menghilangkan sumbat pada filter, sistem drainase atau wadah sabun.
- Kerusakan pada komponen berikut: kaca keramik, aksesoris, keranjang alat makan, pipa asupan dan drainase, segel, lampu dan cover lampu, layar, knop, pelindung dan komponen pelindung. Kecuali kerusakan tersebut dapat dibuktikan akibat kesalahan produksi.
- Kasus di mana tidak ada kerusakan ditemukan selama kunjungan teknis.
- Perbaikan tidak dilakukan oleh penyedia servis yang ditunjuk dan/atau partner kontrak servis resmi atau di mana komponen tidak asli digunakan.
- Perbaikan disebabkan oleh kesalahan pemasangan atau tidak sesuai spesifikasi.
- Penggunaan alat di lingkungan non-domestik, misalnya penggunaan profesional.
- Kerusakan saat pengiriman. Jika pelanggan mengirim produk ke rumahnya atau alamat lain, IKEA tidak bertanggung jawab atas kerusakan yang mungkin terjadi saat pengiriman. Namun, jika IKEA mengirimkan produk ke alamat pengiriman pelanggan, kemudian terdapat kerusakan pada produk saat pengiriman, ini akan ditanggung oleh IKEA.
- Biaya pemasangan awal untuk alat IKEA.
- Namun, jika Penyedia Layanan yang ditunjuk IKEA atau partner servis resmi memperbaiki atau mengganti alat di bawah ketentuan garansi ini, Penyedia Layanan yang ditunjuk atau partner servis resmi akan memasang kembali alat yang telah diperbaiki atau memasang penggantinya bila diperlukan.

- Semua pemasangan perpipaan dan kelistrikan bukan tanggung jawab IKEA, dan pelanggan harus menyelesaikan pekerjaan ini sebelum penggunaan.

Bagaimana hukum negara berlaku

Garansi IKEA memberikan Anda hak legal khusus yang mencakup atau melampaui seluruh permintaan legal setempat. Namun kondisi ini tidak membatasi hak pelanggan seperti yang dijelaskan dalam undang-undang setempat.

Area validitas

Garansi ini hanya berlaku di negara tempat produk tersebut dibeli; layanan akan diberikan sesuai dengan kerangka ketentuan garansi. Kewajiban untuk melakukan layanan dalam kerangka garansi berlaku jika alat memenuhi dan dipasang sesuai dengan:

- spesifikasi teknis negara di mana klaim garansi dibuat;
- Instruksi Rakitan dan Informasi Keselamatan Manual Pengguna.

PURNA JUAL khusus untuk alat IKEA

Jangan ragu untuk menghubungi Pusat Servis Resmi yang ditunjuk IKEA untuk:

- melakukan permintaan servis di bawah garansi;
- meminta penjelasan tentang pemasangan alat IKEA di furnitur dapur IKEA khusus;
- meminta penjelasan tentang fungsi alat IKEA.

Untuk memastikan bahwa kami memberikan bantuan terbaik untuk Anda, silakan baca dengan saksama Instruksi Rakitan dan/atau Manual Pengguna sebelum menghubungi kami.

Cara menghubungi kami jika Anda memerlukan servis



Pusat layanan pelanggan purna jual IKEA akan membantu Anda melalui telepon dengan pemecahan masalah dasar untuk peralatan Anda pada saat permintaan panggilan layanan. Silakan merujuk ke www.IKEA.co.id dan pilih toko lokal Anda untuk nomor telepon toko lokal dan jam buka.

- **Sebelum menghubungi kami, pastikan Anda menyerahkan nomor artikel IKEA (kode 8 digit) dan Nomor Seri (kode 8 digit yang dapat ditemukan di pelat label) untuk peralatan yang Anda perlu bantuan kami.**

SIMPAN STRUK PEMBELIAN!

Ini merupakan bukti pembelian yang diperlukan agar garansi Anda berlaku. Pada struk pembelian juga terdapat nama IKEA dan nomor artikel (kode 8 digit) untuk setiap alat yang Anda beli.

Apakah Anda membutuhkan bantuan lainnya?

Untuk pertanyaan lain yang tidak terkait Purna Jual alat Anda silakan hubungi call centre toko IKEA Anda. Kami sarankan Anda untuk membaca dokumen pada alat secara saksama sebelum menghubungi kami.

Importir: PT Distribusi Mebel Nusantara
Jl. Jalur Sutera Boulevard no.45 Tangerang, Indonesia

Nomor Pendaftaran: IMKG.2123.10.2023

목차

안전 정보	55	문제 해결 방법	61
제품 설명	57	기술 데이터	62
컨트롤 패널	57	설치	63
처음 사용	57	전기 연결	63
사용 설명	58	환경적 관심	63
조리표	58	IKEA 보증	64
세척 및 유지보수	60		

안전 정보

기기를 사용하기 전에 이 안전 지침을 읽고 숙지하십시오. 필요 시 참조할 수 있도록 이 안전 지침을 안전한 곳에 보관하십시오. 이 안전 지침과 기기는 항상 준수해야 하는 중요한 안전 경고를 제공합니다. 이 안전 지침의 미준수, 잘못된 기기 사용 또는 잘못된 컨트롤 설정에 대해 제조사는 어떠한 책임도 지지 않습니다.

안전 경고사항

△ 0-3세의 영유아가 기기에 가까이 가지 못하게 하십시오. 보호자의 감시 없이 3-8세의 어린이가 기기에 가까이 가지 못하게 하십시오. 8세 이상의 어린이와 신체적, 감각적 또는 정신적 능력이 떨어지는 사람 또는 경험과 지식이 부족한 사람은 적절한 감시가 존재하거나 안전한 사용에 관한 지침을 전달받고 관련 위험을 충분히 숙지한 상황에서만 기기를 사용할 수 있습니다. 어린이가 기기를 가지고 놀게 하면 안 됩니다. 보호자의 감시 없이 어린이가 기기를 세척 및 유지보수하면 안 됩니다.

△ **경고!** 사용 중 기기와 일부 부품이 뜨거워질 수 있습니다. 뜨거운 부분을 만지지 않도록 주의하십시오. 보호자의 감시 없이 8세 이하의 어린이가 기기에 가까이 가지 못하게 하십시오.

△ **경고!** 식품을 건조 중에는 기기에서 자리를 비우지 마십시오. 이 기기에서 프로브로 온도를 측정하는 경우, 이 오븐용으로 권장하는 온도 측정기만을 사용하십시오. 화재 위험이 있습니다.

△ 모든 부품이 완전히 식을 때까지 옷이나 다른 인화성 물질을 기기 가까이에 두지 마십시오. 화재 위험이 있습니다. 지방이나 기름이 많은 식품을 조리할 때 또는 알콜 음료를 더 넣을 때는 항상 지켜보십시오. 화재 위험이 있습니다. 조리용 팬과 부대 용품을 꺼낼 때는 오븐용 장갑을 사용하십시오. 조리가 끝나면 다음과 같이 주의하여 도어를 여십시오. 조리실에 손을 넣기 전에 뜨거운 공기나 스팀을 빼십시오. 화상 위험이 있습니다. 오븐 앞쪽의 뜨거운 공기 환기구를 막지 마십시오. 화재 위험이 있습니다.

△ 오븐 도어가 열려 내려져 있을 때는 도어에 부딪치지 않게 주의하십시오.

허용 용도

△ **주의:** 이 기기는 타이머 등의 외부 개폐 장치나 별도의 원격 제어 시스템을 사용해 작동하도록 설계되지 않았습니다.

△ 이 기기는 일반 가정 및 이와 유사한 환경(예: 매장, 사무실 및 기타 업무 환경의 주방 공간, 농장, 호텔, 모텔, 민박 및 기타 주거 환경)용으로 제작되었습니다.

△ 이 기기는 전문가용이 아닙니다. 기기를 실외에서 사용하지 마십시오.

이를 제외한 다른 용도로 사용할 수 없습니다(예: 난방실).

△ 각 내부나 가까이에 폭발성 또는 인화성 물질(예: 휘발유나 살충제 스프레이 캔)을 두지 마십시오. 화재 위험이 있습니다.

설치

△ 기기의 취급 및 설치에는 두 명 이상이 필요합니다. 부상 위험이 있습니다. 포장을 풀고 기기를 설치할 때는 보호 장갑을 착용하십시오. 베일 위험이 있습니다.

△ 유자격 기술자만 급수(필요 시), 배선 및 수리를 포함한 설치 작업을 수행할 수 있습니다. 사용 설명서에 구체적으로 명시되지 않은 경우 기기 부품을 수리하거나 교체하지 마십시오. 어린이가 설치 장소에 가까이 가지 못하게 하십시오. 기기 포장을 푼 후 운반 중에 기기가 손상되지 않았는지 확인하십시오. 문제가 있을 경우 가까운 대리점이나 애프터서비스 센터로 문의하십시오. 설치가 끝난 후 포장재(플라스틱, 스티로폼 등)를 어린이의 손이 닿지 않는 곳에 보관하십시오. 질식 위험이 있습니다. 설치 작업 전에 기기를 전원에서 분리해야 합니다. 감전 위험이 있습니다. 설치 중에 기기가 전원 케이블을 손상시키지 않는지 확인하십시오. 화재 또는 감전 위험이 있습니다. 설치가 끝난 후에 기기를 전원에 연결하십시오.

△ 가구에 기기를 설치하기 전에 모든 캐비닛 절단 작업을 수행하고 모든 목재칩과 톱밥을 제거하십시오.

조리대와 오븐의 상단 간에 최소 간격을 유지하십시오. 화상 위험이 있습니다. 설치할 때까지는 오븐을 발포폴리스티렌 받침대에서 내려놓지 마십시오.

△ 설치 후 기기의 바닥에는 접근할 수 없어야 합니다. 화상 위험이 있습니다.

△ 장식용 문 뒤에 기기를 설치하지 마십시오. 화재 위험이 있습니다.

전기 경고

△ 명판은 오븐의 앞단에 있습니다(도어를 열면 보임).

△ 플러그에 접근할 수 있는 경우 플러그를 뽑거나 콘센트의 업스트림에 설치된 다극 스위치를 사용해 기기를 전원에서 분리할 수 있어야 하고 국가 전기 안전 표준에 따라 기기를 접지해야 합니다.

△ 연장선이나 여러 개의 콘센트 또는 어댑터를 사용하지 마십시오. 설치 후 사용자가 전기 부품에 접근 가능하면 안 됩니다.

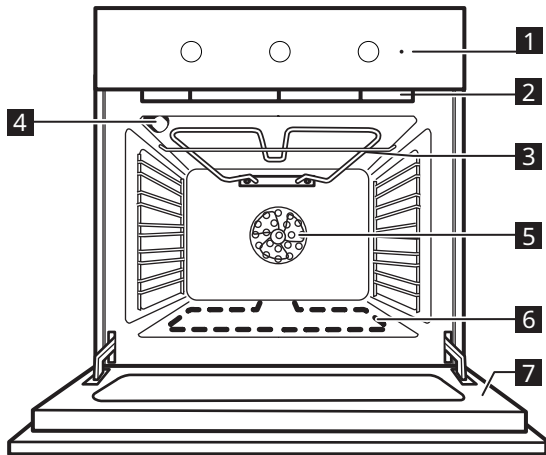
몸이 젖었거나 맨발인 경우 기기를 사용하지 마십시오.

전원 케이블이나 플러그가 손상되었거나, 기기가 올바르게 작동하지 않거나, 기기가 손상되었거나 떨어진 경우 기기를 사용하지 마십시오.

△ 전원 코드가 손상된 경우 제조사, 서비스 센터 또는 유자격 기술자를 통해 전원 코드를 교체해 위험을 방지해야 합니다. 감전 위험이 있습니다.

△ 전원 케이블을 교체하는 경우, 공인 서비스센터에 문의하십시오.

제품 설명

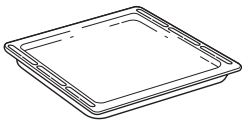


- 1 컨트롤 패널
- 2 냉각 팬(안 보임)
- 3 그릴 부분
- 4 오븐 램프
- 5 오븐 팬
- 6 아래쪽 가열 부(숨겨짐)
- 7 오븐 도어

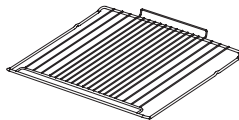
부대 용품

구이 판

와이어 선반



1x



1x

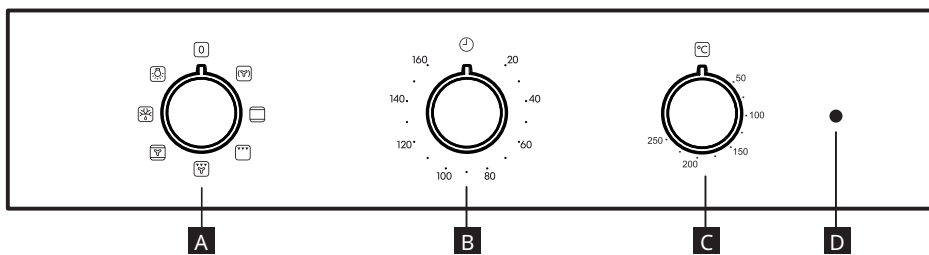
와이어 선반 및 기타 부대 용품 삽입

와이어 선반을 약간 위쪽으로 기울여 잡고 위를 향해 들어올린 뒤쪽을 먼저 내려 자리잡아 필요한 높이에 끼우십시오. 그런 다음 선반 가이드를 따라 끝까지 수평으로 밀니다.

구이 판과 같은 기타 부대 용품은 선반 가이드를 따라 밀어 수평으로 끼웁니다.

부대 용품을 구매하고 싶으면 공인 서비스센터에 전화하십시오.

컨트롤 패널



- A 선택 노브
- B 시간 설정 노브
- C 온도 조절 노브
- D 온도 조절/예열 LED

처음 사용

부대 용품을 오븐에서 빼내고 오븐을 약 한 시간 동안 200°로 가열하여 절연재와 보호 그리스에서 나오는 냄새와 가스를 제거하십시오.

사용 설명

1. 기능 선택

기능을 선택하려면, **선택 노브**를 원하는 기능을 나타내는 기호로 돌립니다.

2. 오븐 키고 끄기

오븐을 키려면 **A** 노브를 원하는 기능으로 돌리고, 끄려면 **A** 노브를 "0" 위치로 돌립니다.

3. 예열

이 기능이 켜지면 온도 조절 LED가 켜져 예열 과정이 시작되었음을 표시합니다.

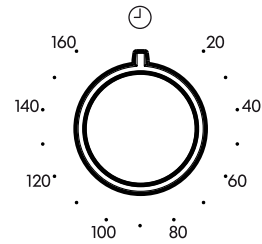
이 과정이 끝나면 온도 조절 LED가 꺼져 오븐이 설정 온도에 도달했음을 표시합니다. 이 때 식품을 안에 넣고 조리를 시작합니다.

참고 사항: 예열이 끝나기 전에 오븐에 식품을 넣으면 조리 결과에 역효과가 날 수도 있습니다.

4. 타이머 설정








이 옵션은 조리를 멈추게 하거나 시작하게 하지는 않지만, 어떤 기능이 작동 중일 때 및 오븐이 꺼졌을 때도 남은 시간(분) 알림용으로 사용할 수 있습니다.

타이머를 키려면, **타이머 노브**를 시계 방향으로 돌린 다음 원하는 기간에 맞춰 다시 반대 방향으로 돌립니다. 그러면 카운트다운이 끝나면 음향 신호로 경고음을 냅니다.



오븐 기능표

오븐에는 5 단계 조리 수준이 있습니다. 더 낮은 단계부터 올라갑니다.

기능	기능 설명
0 오븐 꺼짐	오븐을 끄는 기능입니다.
 강제 환기	동시에 여러 선반(최대 3개)에서 같은 조리 온도가 필요한 여러 식품을 조리하기 위한 기능입니다. 이 기능은 식품 간에 냄새가 전달되지 않게 여러 식품을 조리하는 데 사용할 수 있습니다.
 보통 이용 (상부 및 하부 가열)	하나의 선반만 이용한 임의의 식품 조리용 기능입니다. 두 번째 선반을 사용하는 것이 좋습니다.
 그릴(석쇠)	스테이크, 꼬치, 소시지 구이용, 야채 오 그라탕 조리용, 빵 토스트용 기능입니다. 고기를 구울 때 국물이 있는 조리를 할 때는 다음과 같이 깊은 조리 판을 사용하는 것이 좋습니다. 조리 판을 와이어 선반 아래 아무 위치에든 두고 식수 200ml를 붓습니다.
 팬 이용 구이	커다란 관절 부위(다리, 소고기 구이, 치킨) 구이용 기능입니다. 국물이 있는 조리를 할 때는 다음과 같이 깊은 조리 판을 사용하는 것이 좋습니다. 조리 판을 와이어 선반 아래 아무 위치에든 두고 식수 500ml를 붓습니다.
 대류식 빵 구이	단일 선반에서 수분이 많은 속을 넣은 케이크를 굽는 기능입니다. 이 기능은 두 개의 선반에서 조리할 때도 사용할 수 있습니다. 접시의 위치를 바꿔주어 식품을 더 고르게 조리할 수 있습니다.
 해동	식품을 더 빠르게 해동하는 기능입니다. 식품을 조리실의 중앙에, 레벨 3에 둡니다.
 조명	조리실의 조명을 키는 기능입니다.

조리표

식품의 종류	기능	예열	레벨 (최하위부터)	온도(°C)	조리 시간(분)
과자, 페이스트리류					
발효시킨 케이크		X	2	150-170	30-90
		X	4-1	160-180	30-90
속을 채운 파이(치즈 케이크, 스트루델, 과일 파이)		X	2	160-200	35-90
		X	4-2	160-200	40-90
비스킷/타르틀레트		X	2/3	160-180	15-40
		X	4-2/5-3-1	150-170	20-45
슈 번즈		X	2	180-200	40-60
		X	4-2	170-190	35-50

식품의 종류	기능	예열	레벨 (최하위부터)	온도(°C)	조리 시간(분)
머랭	<input type="checkbox"/>	X	2	90	150-200
	<input checked="" type="checkbox"/>	X	4-2/5-3-1	90	140-200
빵/피자/포카치아	<input type="checkbox"/>	X	1/2	220-250	10-40
	<input checked="" type="checkbox"/>	X	4-2	200-240	20-30
냉동 피자	<input type="checkbox"/>	X	2	250	10-30
	<input checked="" type="checkbox"/>	X	4-2	230-250	10-30
세이버리 파이(야채 파이, 키슈)	<input type="checkbox"/>	X	2	180-200	30-50
	<input checked="" type="checkbox"/>	X	4-2/5-3-1	180-200	30-60
블루봉/퍼프 페이스트리 크래커	<input type="checkbox"/>	X	2	190-200	20-30
	<input checked="" type="checkbox"/>	X	4-2/5-3-1	180-190	20-40
라자냐, 구운 파스타, 카넬로니, 플랑	<input type="checkbox"/>	X	2	190-200	45-65
육류 라자냐	<input checked="" type="checkbox"/>	X	4-2	200	50-100***
육류와 감자	<input checked="" type="checkbox"/>	X	4-1	190-200	45-100***
생선과 야채	<input checked="" type="checkbox"/>	X	4-1	180	30-50***
완전한 식사과일 타르트(레벨 5) / 라자냐(레벨 3) / 육류 (레벨 1)	<input checked="" type="checkbox"/>	X	5-3-1	180-190	40-120***

육류					
고기 구이 2kg	<input checked="" type="checkbox"/>	X	2	180-190	110-150
양/송아지/소/돼지 고기 1Kg	<input type="checkbox"/>	X	2	190-200	80-120
닭/토끼/오리 고기 1Kg	<input type="checkbox"/>	X	2	200-230	50-100
칠면조/거위 고기 3Kg	<input type="checkbox"/>	X	2	180-200	150-200
생선류					
생선 구이/양 파피요트 0.5Kg(생선 살, 통 생선)	<input type="checkbox"/>	X	2	170-190	30-50
야채류					
숙이 찬 야채 (토마토, 호박, 가지)	<input checked="" type="checkbox"/>	X	2	180-200	50-70

그릴 기능을 이용하는 조리표

토스트	<input checked="" type="checkbox"/>	5'	5	250	2-6
생선 살/슬라이스	<input checked="" type="checkbox"/>	5'	4/3	250	15-30*
소시지/꼬치/ 돼지갈비/햄버거	<input checked="" type="checkbox"/>	5'	5/4	250	15-30*
양 다리 고기/ 도가니살	<input checked="" type="checkbox"/>	-	3	200-220	60-90**
야채 그라탕	<input checked="" type="checkbox"/>	-	3	200-220	30-60**
감자 구이	<input checked="" type="checkbox"/>	-	3	200-220	30-60**
통닭구이 1-1.3Kg	<input checked="" type="checkbox"/>	-	3	200-220	60-90**
로스트 비프(레이) 1Kg	<input checked="" type="checkbox"/>	-	3	200-220	30-60**

참고: 조리 온도 및 시간은 안내용일 뿐입니다.

* 조리 중에 식품을 반 정도 돌립니다.

** 조리 중에 식품을 2/3 정도 돌립니다(필요 시).

***예상 시간: 개인적 취향에 따라 다양한 시간에 오븐에서 접시를 꺼낼 수 있습니다.

세척 및 유지보수

세척

⚠ 경고!

- 스팀 세척 장비를 절대 사용하지 마십시오.
- 오븐이 손으로 만져도 될 만큼 식었을 때만 세척하십시오.
- 전원 소켓에서 기기의 플러그를 뽑습니다.

오븐 외부

ⓘ 중요: 부식성 또는 연마제가 있는 세제를 사용하지 마십시오. 이런 제품이 실수로 기기에 접촉했을 때는 즉시 젖은 천으로 닦으십시오.

- 젖은 천으로 표면을 닦아줍니다. 너무 더러운 경우 물에 세제를 몇 방울 넣습니다. 마지막에는 마른 천으로 닦아 냅니다.

오븐 내부

ⓘ 중요: 연마성 스펀지나 금속제 주걱이나 수세미를 사용하지 마십시오. 계속 사용하면 광택처리된 표면과 오븐 도어 유리에 손상을 일으킬 수 있기 때문입니다.

- 사용 후 마다 오븐을 식게 둔 다음 되도록이면 아직 따뜻할 때 세척하면 식품 잔류물로 찌든 때와 얼룩을 제거할 수 있습니다(예: 설탕 함량이 높은 식품).
- 적절한 오븐용 세제를 사용하고 제조업체의 지침을 철저히 따르십시오.
- 적합한 액체 세제로 도어 유리를 닦습니다. 오븐 도어를 분리하면 세척을 쉽게 할 수 있습니다(유지보수 참조). 내부 유리는 매끄러워 청소하기 쉽습니다.

참고 수분이 많은 식품(예: 피자, 야채 등)을 장시간 조리할 동안 도어 안쪽과 실 부분에 물방울이 맺힐 수 있습니다. 오븐이 식었을 때, 천이나 스펀지로 도어 내부의 수분을 제거합니다.

부대 용품

- 사용 후 즉시 세제가 들어 있는 물 속에 부대 용품을 담고 이 때 부대 용품이 아직 뜨거우면 취급 시 오븐용 장갑을 사용합니다.
- 식품 잔류물은 브러시나 스펀지를 사용하여 쉽게 제거할 수 있습니다.

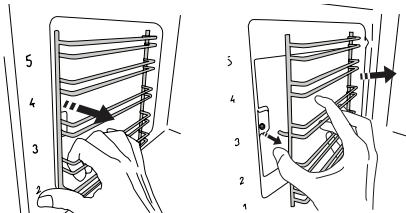
유지보수

⚠ 경고!

- 안전 장갑을 사용하십시오.
- 다음 작업을 수행하기 전에 오븐이 식었는지 확인하십시오.
- 전원 소켓에서 오븐을 분리하십시오.

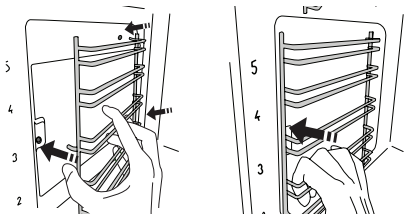
선반 가이드의 제거

가이드의 외부부를 확고히 잡고, 자기 쪽으로 당겨 지지대와 두 개의 내부 핀을 꽂혀 있는 곳에서 빼십시오.



선반 가이드 제자리 놓기

가이드를 조리실 가까이에 가져와 먼저 두 개의 핀을 핀 끼우는 곳에 삽입하십시오. 그런 다음, 외부 부품을 이것을 끼우는 곳 가까이에 가져와 지지대를 삽입하고 조리실의 벽쪽을 향해 강하게 눌러 선반 가이드가 제대로 고정되도록 하십시오.



도어 제거

1. 도어를 완전히 엽니다.
2. 걸쇠를 들어 올려 걸쇠를 앞으로 끝까지 밀니다(그림 1).

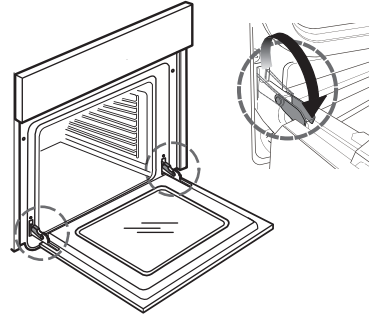


그림 1

3. 도어를 닫으면서(A), 들어 올리며(B) 회전시켜(C) 제거합니다(D)(그림 2, 3, 4).

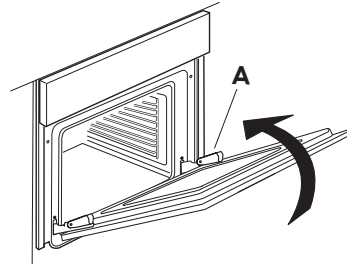


그림 2

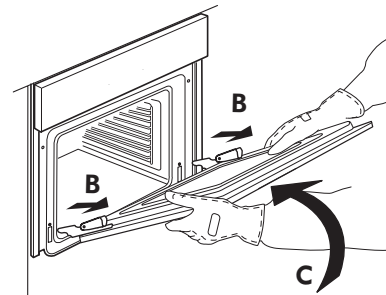


그림 3

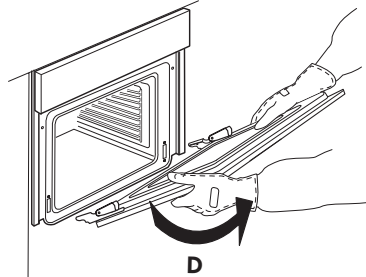


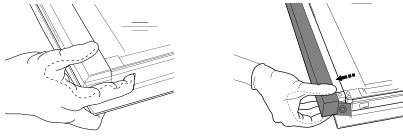
그림 4

도어 재장착

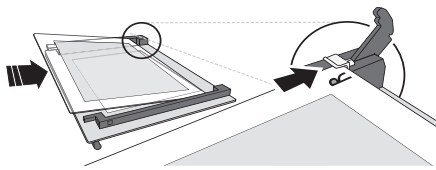
1. 힌지를 제자리에 끼웁니다.
2. 도어를 완전히 엽니다.
3. 두 걸쇠를 내립니다.
4. 도어를 닫습니다.

유리를 세척합니다.

1. 도어를 제거하여 손잡이가 아래쪽으로 향하게 하여 내려 놓은 후 두 개의 고정 클립을 동시에 눌러 도어의 윗단을 몸쪽으로 당겨 제거합니다.



2. 양손으로 내부 유리를 들어 올려 확고히 잡고 제거하여 세척하기 전에 부드러운 표면위에 놓습니다. 중간 유리에 대해서도 같은 작업을 합니다.
3. 중간 유리 및 내부 유리를 제대로 다시 놓으려면 "R"이 왼쪽 모서리로 가게 해야 합니다. 먼저 "R"로 표시된 유리의 긴쪽을 지지 시트에 삽입한 다음 제자리로 내립니다.



4. 위쪽 모서리 재장착: 딸각 소리가 나면 제자리에 놓인 것입니다. 도어를 재장착하기 전에 실이 고정되었는지 확인하십시오.

램프 교체

1. 전원 소켓에서 오븐을 분리하십시오.

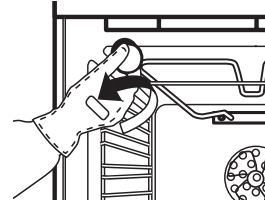


그림 5

2. 램프 커버(그림 5)를 돌려 빼고, 램프(램프 유형에 대한 참고 사항 참조)를 교체한 후 램프 커버를 다시 돌려 끼웁니다.
3. 전원 소켓에 오븐을 다시 연결합니다.

참고

- 25W/230V G9, T300°C 유형의 할로겐 램프만 사용하십시오.
- 이 기기에 사용되는 램프는 전자 제품용으로 특별히 설계되었으며 가정의 실내 조명용으로는 적합하지 않습니다(유럽연합 집행위원회 규정(EC) No 244/2009).
- 램프는 IKEA 공인 서비스센터에서 구매할 수 있습니다.

문제 해결 방법

문제	가능한 원인	해결책
오븐이 작동하지 않는다.	주 전력이 없다.	주 전력이 있는지 확인합니다.
	오븐이 전원 소켓에 연결되지 않았다.	전원 소켓에 오븐을 연결합니다.
	오븐 선택기가 "☺"에 놓여 있다.	오븐 선택기를 돌려 조리 기능을 선택합니다.

공인 서비스센터에 전화하기 전에:

1. "문제 해결 방법"표에 제공된 제안 상의 도움으로 스스로 문제를 해결할 수 있는지 알아봅니다.
2. 기기의 전원을 껐다가 다시 키고 아직도 고장이 있는지 봅니다. 위의 점검 후에도 고장이 발생하면 IKEA 공인 서비스센터에 문의하십시오.

항상 명시할 사항:

- 고장에 대한 간략한 설명
- 오븐의 유형 및 정확한 모델
- 서비스 번호(명판의 '서비스'라는 단어 옆의 번호), 오븐 조리실의 오른쪽에 있으며 오븐 도어를 열어야 보임

SERVICE 0000 000 00000



- 사용자의 전체 주소
- 사용자의 전화번호

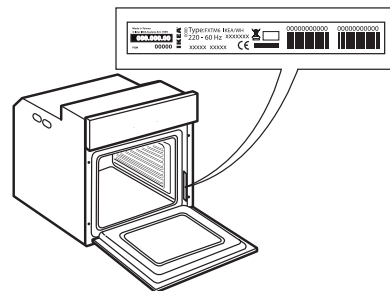
수리가 필요한 경우 IKEA 공인 서비스센터에 문의하십시오(정품 부품을 사용하고 정확한 수리를 보장합니다).

기술 데이터

제품의 유형: 내장형 전기 오븐	
모델 식별자: MATÅLSKARE 205.082.53	
조리실 수	1
열원	전기
기능 수	6
사용 가능한 용량, 사이드 그리드와 촉매 패널을 제거한 상태에서 측정 l	71
가장 큰 구이판의 면적 cm ²	1191
에너지 효율 등급(가장 낮은 소비)	A
에너지 효율 지수	95.3
에너지 소비 보통 이용 기능(표준 부하 및 상단 + 하단 가열 시) kWh/사이클	0.99
에너지 소비 팬 강제 기능(표준 부하 및 강제 환기 가열 시) kWh/사이클	0.81
상부 가열부 W	2500
하부 가열부 W	1150
그릴 가열부 W	2500
팬 가열부 W	1800
냉각 팬 W	15
오븐 램프 W	25
오븐 팬 와트수 W	22
총 정격 W	2600
크기	
폭 mm	595
높이 mm	595
깊이 mm	550
기기의 질량 MATÅLSKARE 스테인리스강 Kg	26

기술 데이터

기술 정보는 기기 내부 명판에 있습니다.



설치

도어 록 장치

도어 록 장치가 있는 도어를 열려면 그림 1을 참조하십시오.

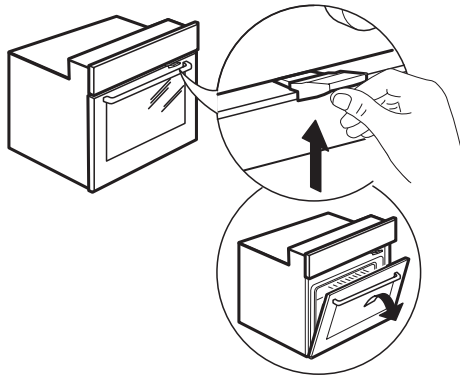


그림 1

그림의 순서에 따라 도어 안전 장치를 제거할 수 있습니다(그림 2 참조).

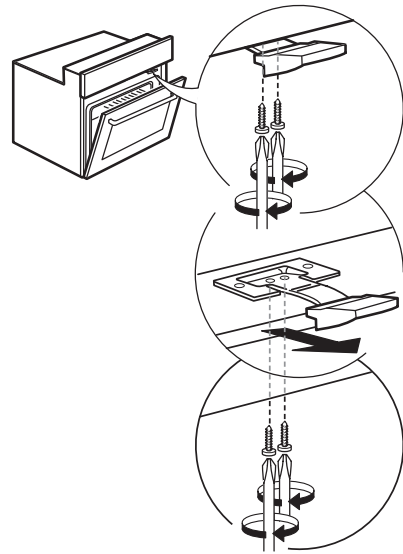


그림 2

전기 연결

기기의 명판에 명시된 전압이 주 전압과 같은지 확인하십시오. 명판은 오븐의 앞단에 있습니다(도어를 열면 보임). 전원 케이블 교체는(H05 V2V2 x 1.5 mm² 유형) 자격이 있는 전기 기술자가 수행해야 합니다. IKEA 공인 서비스센터에 문의하십시오.

환경적 관심

⚠ 경고! 유지보수 작업을 수행하기 전에 기기를 끄고 전원에서 분리하십시오. 감전 위험이 있습니다. 스팀 세척 장비를 절대 사용하지 마십시오.

⚠ 거친 연마제 또는 금속 주걱을 사용하여 도어 유리를 청소하지 마십시오. 이렇게 하면 표면이 긁힐 수 있어서 유리가 깨지는 원인이 될 수 있습니다.

⚠ 세척이나 유지보수 전에 기기가 식었는지 확인하십시오. - 화상 위험이 있습니다.


⚠ 경고! 램프 교체 전에 기기를 끄십시오. 감전 위험이 있습니다.

포장재 폐기

포장재는 100% 재활용이 가능하고 재활용 마크가 표시되어 있습니다. ♻️따라서 현지 폐기물 관리 규정에 따라 포장재의 여러 요소를 폐기해야 합니다.

가전제품 폐기

이 기기는 재활용 또는 재사용 가능 소재를 사용해 제작되었습니다. 현지 폐기물 관리 규정에 따라 기기를 폐기하십시오. 가전제품의 처리, 회수 및 재활용에 관한 추가 정보는 현지 주무 관청, 가정 폐기물 수거 서비스 센터 또는 제품 구입처로 문의하시기 바랍니다. 이 기기에는 유럽 지침 2012/19/EU, 전기전자폐기물처리지침(WEEE)에 따라 마크가 표시되어 있습니다. 이 제품을 올바르게 폐기하면 환경 및 건강에 미치는 부정적인 영향을 최소화하는데 일조할 수 있습니다.

제품이나 동봉된 문서에 표시된  마크는 제품을 가정 폐기물로 취급하면 안 되고, 전기전자 장비의 재활용을 위한 수거 센터로 가져가야 한다는 뜻입니다.

에너지 절약 정보

조리표나 식품의 조리법에 명시된 경우에만 오븐을 예열하십시오. 검정색 철을 했거나 광택처리한 구이 판이 열 흡수를 더 잘 하므로 이들을 사용하십시오. 장시간 조리가 필요한 식품은 오븐의 스위치를 꺼도 계속해서 조리합니다.

IKEA 보증

IKEA 보증 유효기간은 얼마나 됩니까?

이 보증은 IKEA에서 기기를 구매한 날부터 5년 동안 유효합니다. 원본 구매 영수증은 구매의 증빙으로 필요합니다. 보증 서비스 작업이 수행되면, 이로 인해 기기에 대한 보증 기간이 늘어나지는 않습니다.

서비스는 누가 실행하나요?

IKEA 서비스 제공자는 자신이 직접 서비스 작업을 하거나 공인 서비스 파트너 네트워크를 통해 서비스를 제공합니다.

이 보증의 적용 대상은 무엇입니까?

보증은 IKEA에서 구매한 날짜부터 구조 결함 또는 재질 결함으로 인한 기기 결함을 보장합니다. 이 보증은 가정용 사용에만 적용됩니다. 예외 사항은 "이 보증에 따라 보장되지 않는 사항은 무엇입니까?"라는 제목 아래 명시되어 있습니다. 보증 기간 내, 기기가 특정한 비용 없이 수리를 위해 접근할 수 있는 경우, 수리, 부품, 인력 및 출장 등 결함을 시정하기 위한 비용이 보장됩니다. 이러한 조건에 해당 하지 규정을 적용할 수 있습니다. 교체된 부품은 IKEA의 재산이 됩니다.

문제를 해결하기 위해 IKEA가 하는 일은 무엇입니까?

IKEA 지정 서비스 제공자는 제품을 검사하고 자기 재량으로 제품이 이 보증 대상인지 여부를 결정합니다. 대상인 것으로 간주되면 IKEA 서비스 제공자 또는 그의 공인 서비스 파트너는 자신의 서비스 작업을 통해 자기 재량으로 결함이 있는 제품을 수리하거나 제품을 같거나 유사한 제품으로 교체합니다.

이 보증이 적용되지 않는 것은 무엇입니까?

- 정상적인 마모 및 파괴
- 고의적이거나 부주의한 손상, 작동 지침을 준수하지 않아서 또는 부정확한 설치, 잘못된 전압에 연결로 인해 발생한 손상, 화학적 또는 전기 화학적 반응으로 인한 손상, 녹, 부식 또는 공급되는 물에 과도한 석회로 인한 손상, 비정상적인 환경 조건으로 인한 손상을 포함하지만 여기에 국한되지는 않는 물로 인한 손상
- 배터리 및 램프 등 소모품
- 규힘이나 탈색 가능성을 포함하여 기기의 정상적 사용에 영향을 주지 않는 비기능적 장식용 부품
- 이물질 또는 물질로 인한 우발적 손상 및 필터, 배수 시스템 또는 비누통의 청소 또는 막힘 제거
- 다음 부품이 손상된 경우: 세라믹 유리, 부대 용품, 그릇 및 식칼 바구니, 급수 및 배수 파이프, 썰, 램프 및 램프 커버, 스크린, 노브, 케이싱 및 케이싱 부품 이러한 손상이 제품 고장으로 인한 것으로 판명되지 않은 경우
- 기술자가 방문했을 때 아무런 고장이 발견되지 않는 경우
- 당사자 지정한 서비스 제공자 및/또는 공인 서비스 계약 파트너가 수행하지 않은 수리 또는 정품이 아닌 부품이 사용된 경우
- 결함이 있거나 규격에 따르지 않은 설치로 인해 발생한 수리
- 가정 환경이 아닌 즉 전문용으로 기기의 사용
- 운송 시 손상 고객이 제품을 자기 집이나 다른 주소로 운송하는 경우, IKEA는 운송 중 발생할 수 있는 어떠한 손상에도 책임이 없습니다. 그렇지만 IKEA가 고객의 배송 주소로 제품을 배송하는 경우, 배송 중 발생하는 제품에 손상은 IKEA가 보증합니다.
- IKEA 기기의 처음 설치 비용
- 그렇지만 IKEA 지정 서비스 제공자나 IKEA의 공인 서비스 파트너가 이 보증 조건에 따라 기기를 수리 또는 교체하는 경우, 해당 지정 서비스 제공자 또는 IKEA의 공인 서비스 파트너가 수리된 기기를 다시 설치하거나 필요 시 교체 제품을 설치합니다.
- 일부 배관 및 전기 설치는 IKEA의 책임이 아니며, 고객은 실행 작업 전에 이러한 작업을 완료해야 합니다.

국가 법률이 적용되는 방법

IKEA 보증은 특정 법적 권리를 제공하며, 이 권리는 현지의 모든 법률상의 요구 및 그 이상에 해당합니다. 그렇지만 이러한 조건은 어떤 식으로도 현지 법률에 기술된 소비자의 권리를 제한하지 않습니다.

유효 지역

이 보증은 제품을 구매한 국가에서만 유효합니다. 서비스는 보증 조건의 프레임워크 안에서 제공됩니다. 보증의 프레임워크에서 서비스를 수행할 의무는 기기가 다음 사항을 준수하고 그에 따라 설치된 경우에만 존재합니다.

- 보증 청구가 이루어지는 국가의 기술 규격
- 조립 지침 및 사용자 설명서 안전 정보

IKEA 기기 전용 판매 후 서비스

IKEA 지정 공인 서비스센터에 다음에 대해 지체없이 문의하십시오.

- 이 보증에 따른 서비스 요청
- IKEA 주방 가구에 명시된 IKEA 기기의 설치에 대한 설명 요청
- IKEA 기기의 기능에 대한 설명 요청

당사가 최고의 지원을 제공할 수 있도록 당사에 문의하기 전에 조립 지침 및/또는 사용자 설명서를 주의 깊게 읽으십시오.

당사의 서비스가 필요할 때 당사에 연락 방법



IKEA 애프터 고객 서비스 센터는 서비스 통화 요청 시 기기에 대한 기본 적인 문제 해결 방식에 따라 전화로 도움을 드립니다. 참조하십시오
www.IKEA.com
 을 참조하셔서 현지 매장을 선택하십시오.

① 문의하시기 전에 지원이 필요한 제품의 IKEA 품목번호(8자리 코드)와 일련번호(명판에 있는 8자리 코드)를 확인한 후 알려주시기 바랍니다.

② 판매 영수증을 보관하십시오!
 판매 영수증은 구매 증빙이며 보증 적용에 필요합니다. 판매 영수증에도 구매하신 각 기기에 대한 IKEA 이름과 물품 번호(8자리 숫자 코드)가 있습니다.

도움이 더 필요하십니까?

기기의 판매 후 서비스와 관련되지 않은 모든 추가적인 질문의 경우 가까운 IKEA 매장 콜센터에 문의하십시오. 당사에 문의하기 전에 기기의 문서를 주의깊게 읽으시기 바랍니다.

400011718650

