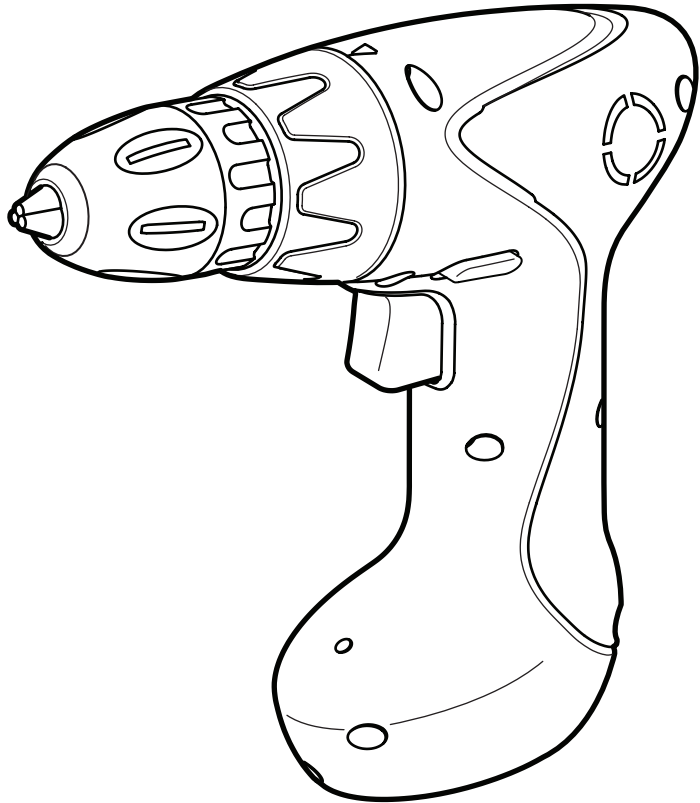


# FIXA



GB

DK

IS

NO

FI

SE

ET

LV

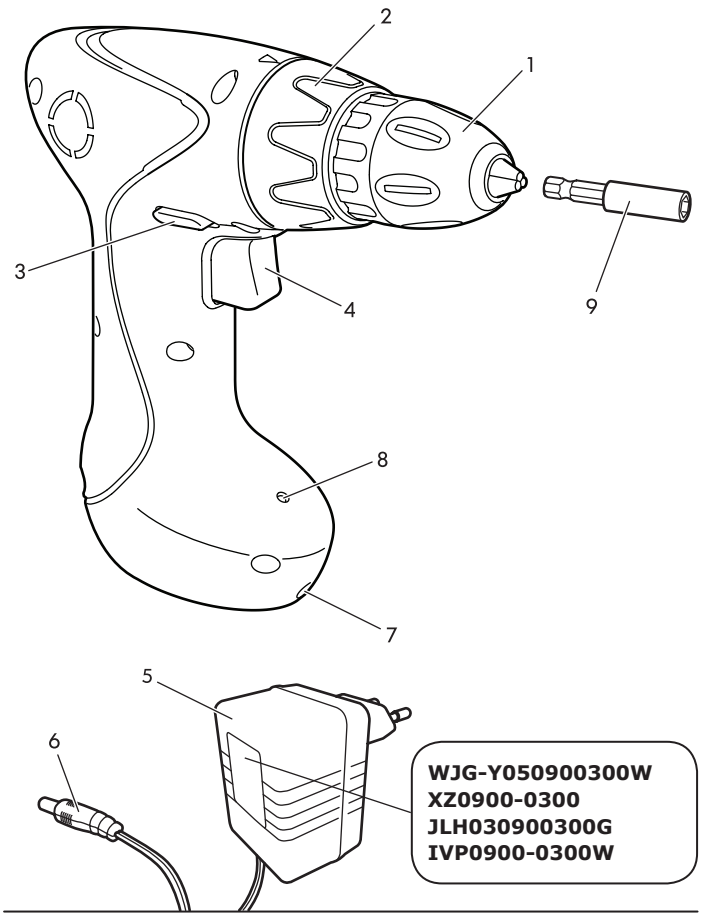
LT

中文

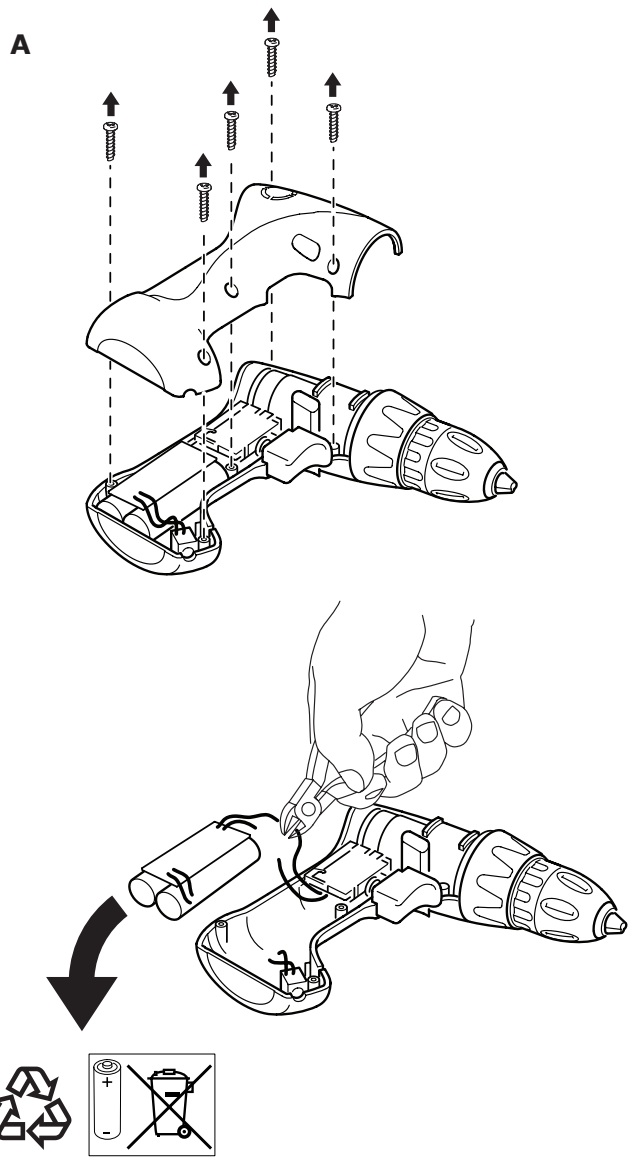
TH



Design and Quality  
IKEA of Sweden



**WJG-Y050900300W**  
**XZ0900-0300**  
**JLH030900300G**  
**IVP0900-0300W**



<b>ENGLISH</b>	Original instructions	<b>4</b>
<b>DANSK</b>	Oversat fra de originale anvisninger.	<b>11</b>
<b>ÍSLENSKA</b>	Þýtt úr upprunalegum leiðbeiningum.	<b>18</b>
<b>NORSK</b>	Oversatt fra de opprinnelige instruksjonene.	<b>24</b>
<b>SUOMI</b>	Käännetty alkuperäisistä ohjeista.	<b>31</b>
<b>SVENSKA</b>	Översatt från de ursprungliga instruktionerna	<b>38</b>
<b>EESTI</b>	Tõlgitud originaaljuhiste järgi.	<b>45</b>
<b>LATVIEŠU</b>	Originālās instrukcijas tulkojums.	<b>52</b>
<b>LIETUVIŲ</b>	Originalių instrukcijų vertimas.	<b>59</b>
<b>中文</b>	从最初说明翻译过来	<b>65</b>
<b>ไทย</b>	แปลจากคำแนะนำแรกเริ่ม	<b>70</b>

**FIXA screwdriver/drill, Li-Ion 7.2V****TECHNICAL SPECIFICATIONS:**

**Voltage/battery type:** 7,2 V lithium-ion battery.

**Max. rpm (no-load speeds):** 0-400 rpm.

**Max. torque:** 5 Nm.

**Holder for screwdriver bits:** 6 mm (1/4").

**Chuck:** 10 mm (3/8"), keyless, quick-fit/quick-release chuck.

**Charger:** Local mains voltage.

**Loading time:** 3-8 hrs.

**Other information:** Adjustable torque.

**Vibration (according to EN 60745-1, EN 60745-2-1, EN 60745-2-2)**

$< a_{h,D} = 0.945 \text{ m/s}^2, K=1.5 \text{ m/s}^2.$

$a_{h,K}=0.564 \text{ m/s}^2, K=1.5 \text{ m/s}.$

**Noise (according to EN 60745-1)**

Noise pressure level  $L_{pa} = 63.6 \text{ dB (A)},$

$K_{pa} = 3 \text{ dB (A)}$

Noise power level  $L_{wa} = 74.6 \text{ dB (A)},$

$K_{wa} = 3 \text{ dB (A)}$

**LIST OF FEATURES**

The numbering of the product features shown refers to the illustration of the screwdriver/drill on the graphic page.

1. Keyless chuck
2. Torque regulator
3. Selector for rotation right/left
4. Infinitely variable speed control/trigger
5. Charger
6. Charger plug
7. Charger socket
8. Charge indicator
9. Holder for screwdriver bit

**AREAS OF USE**

This cordless drill/driver may be used for drilling in wood, metal, plastic and ceramic materials, and for tightening/loosening screws.

**GENERAL SAFETY INSTRUCTIONS****General safety instructions for power tools****WARNING!**

**Read all safety warnings and all instructions.** Failure to follow all the warnings and instructions may result in electric shock, fire and/or serious injury.

**Save all warnings and instructions for future reference.**

The term "power tool" in all of the warnings listed below refers to your mains operated (corded) power tool or battery operated (cordless) power tool.

**Work area safety**

- a. **Keep work area clean and well lit.** Cluttered and dark areas invite accidents.
- b. **Do not operate power tools in explosive atmospheres, such as in the presence of flammable liquids, gasses or dust.** Power tools create sparks which may ignite the dust of fumes.
- c. **Keep children and bystanders away while operating a power tool.** Distractions can cause you to lose control.

**Electrical safety**

- a. **Power tool plugs must match the outlet. Never modify the plug in any way. Do not use any adapter plugs with earthed (grounded) power tools.** Unmodified plugs and matching outlets will reduce risk of electric shock.
- b. **Avoid body contact with earthed or grounded surfaces such as pipes,**

### **radiators, ranges and refrigerators.**

There is an increased risk of electric shock if your body is earthed or grounded.

- c. **Do not expose power tools to rain or wet conditions.** Water entering a power tool will increase the risk of electric shock.
- d. **Do not abuse the cord. Never use the cord for carrying, pulling or unplugging the power tool. Keep the cord away from heat, oil, sharp edges or moving parts.** Damaged or entangled cords increase the risk of electric shock.
- e. **When operating a power tool outdoors, use an extension cord suitable for outdoor use.** Use of a cord suitable for outdoor use reduces the risk of electric shock.
- f. **If operating a power tool in a damp location is unavoidable, use a residual current device (RCD) protected supply.** Use of an RCD reduces the risk of electric shock.

### **Personal safety**

- a. **Stay alert, watch what you are doing and use common sense when operating a power tool. Do not use a power tool while you are tired or under the influence of drugs, alcohol or medication.** A moment of inattention while operating power tools may result in serious personal injury.
- b. **Use personal protective equipment. Always wear eye protection.** Protective equipment such as dust mask, non-skid safety shoes, hard hat, or hearing protection used for appropriate conditions will reduce personal injuries.
- c. **Prevent unintentional starting: Ensure that the switch is in the off-position before connecting to power source and/or battery pack, picking up or carrying the tool.** Carrying power

tools with your finger on the switch or plugging in power tools that have the switch on invites accidents.

- d. **Remove any adjusting key or wrench before turning the power tool on.** A wrench or a key left attached to a rotating part of the power tool may result in personal injury.
- e. **Do not overreach. Keep proper footing and balance at all times.** This enables better control of the power tool in unexpected situations.
- f. **Dress properly. Do not wear loose clothing or jewellery. Keep your hair, clothing and gloves away from moving parts.** Loose clothes, jewellery or long hair can be caught in moving parts.
- g. **If devices are provided for the connection of dust extraction and collection facilities, ensure these are connected and properly used.** Use of these devices can reduce dust related hazards.

### **Power tool use and care**

- a. **Do not force the power tool. Use the correct power tool for your application.** The correct power tool will do the job better and safer at the rate for which it was designed.
- b. **Do not use the power tool if the switch does not turn it on and off.** Any power tool that cannot be controlled with the switch is dangerous and must be repaired.
- c. **Disconnect the plug from the power source and/or the battery pack before making any adjustments, changing accessories, or storing power tools.** Such preventive safety measures reduce the risk of starting the power tool accidentally.
- d. **Store idle power tools out of the reach of children and do not allow**

**persons unfamiliar with the power tool or these instructions to operate the power tool.** Power tools are dangerous in the hands of untrained users.

- e. **Maintain power tools. Check for misalignment or binding of moving parts, breakage of parts and any other condition that may affect the power tool's operation. If damaged, have the power tool repaired before use.** Many accidents are caused by poorly maintained power tools.
- f. **Keep cutting tools sharp and clean.** Properly maintained cutting tools with sharp cutting edges are less likely to bind and are easier to control.
- g. **Use the power tool, accessories and tool bits etc., in accordance with these instructions and in the manner intended for the particular type of power tool, taking into account the working conditions and the work to be performed.** Use of the power tool for operations different from those intended could result in a hazardous situation.
- h. **Hold the power tool by insulated gripping surfaces, when performing an operation where the fastener may contact with hidden wiring or its own cord.** Fasteners contacting a "live" wire may make exposed metal parts of the power tool "live" and could give the operator an electric shock.

#### **Battery tool use and care**

- a. **Recharge only with the charger specified by a. Recharge only with the charger specified by the manufacturer.** A charger that is suitable for one type of battery pack may create a risk of fire when used with another battery pack.
- b. **Use power tools only with specifically designated battery packs.** Use of any other battery packs may

create a risk of injury and fire.

- c. **When battery pack is not in use, keep it away from other metal objects, like paperclips, coins, keys, nails, screws or other small metal objects that can make a connection from one terminal to another.** Shorting the battery terminals together may cause burns or a fire.
- d. **Under abusive conditions, liquid may be ejected from the battery; avoid contact. If contact accidentally occurs, flush with water. If liquid contacts eyes, additionally seek medical help.** Liquid ejected from the battery may cause irritation or burns.

#### **Service**

- a. **Have your power tool serviced by a qualified repair person using only identical replacements parts.** This will ensure that the safety of the power tool is maintained.

### **MACHINE-SPECIFIC SAFETY INSTRUCTIONS**

#### **Safety warnings for drills and screwdrivers**

**Use appropriate detectors to determine if utility lines are hidden in the work area or call your local utility company for assistance.** Contact with electric lines can lead to fire and electric shock. Damaging a gas line can lead to explosion. Penetrating a water line causes property damage or may cause an electric shock.

**Switch off the power tool immediately when the tool insert jams. Be prepared for high reaction torque that can cause kickback.** The tool insert jams when:

- the power tool is subject to overload
- or it becomes wedged in the workpiece.

**Hold the machine with a firm grip.** High reaction torque can briefly occur while driving in and loosening screws.

**Secure the workpiece.** A workpiece clamped with clamping devices or in a vice is held more secure than by hand.

**Keep your workplace clean.** Blends of materials are particularly dangerous. Dust from light alloys can burn or explode.

**Always wait until the machine has come to a complete stop before placing it down.** The tool insert can jam and lead to loss of control over the power tool.

**Avoid unintentional switching on.** Ensure the trigger is in the off position before inserting battery pack. Carrying the power tool with your finger on the trigger or inserting the battery pack into power tools that have the switch on invites accidents.

### Safety Warnings for battery chargers



For indoor use only.



Double insulated.

**Keep the battery charger away from rain or moisture.** Penetration of water in the battery charger increases the risk of an electric shock.

**Do not charge other batteries.** The battery charger is suitable only for charging the batteries that were supplied with your power tool. Otherwise there is danger of fire and explosion.

**Keep the battery charger clean.** Contamination can lead to danger of an electric shock.

**Before each use, check the battery charger, cable and plug. If damage is detected, do not use the battery charger. Never open the battery charger yourself. Have repairs performed only by a qualified technician.** Damaged battery chargers, cables and plugs increase the risk of an electric shock.

**Do not operate the battery charger on easily inflammable surfaces (e. g., paper, textiles, etc.) or surroundings.** The heating of the battery charger during the charging process can pose a fire hazard.

**Children should be supervised to ensure that they do not play with the battery charger.**

Products sold in **GB only**: Your product is fitted with an BS 1363/A approved electric plug with internal fuse (ASTA approved to BS 1362). If the plug is not suitable for your socket outlets, it should be cut off and an appropriate plug fitted in its place by an authorised customer service agent. The replacement plug should have the same fuse rating as the original plug. The severed plug must be disposed of to avoid a possible shock hazard and should never be inserted into a mains socket elsewhere.

Products sold in **AUS only**: Use a residual current device (RCD) with a rated residual current of 30 mA or less.

### VIBRATION INFORMATION

#### Vibration level

The vibration emission level stated in this instruction manual has been measured in accordance with a standardised test given

in EN 60745. It may be used to compare one tool with another and as a preliminary assessment of exposure to vibration when using the tool for the applications mentioned in this manual. However, using the tool for different applications, or with different or poorly maintained accessories, may significantly increase the exposure level.

An estimation of the level of exposure to vibration should also take into account the times when the tool is switched off or when it is running but not actually doing the job, as this may significantly reduce the exposure level over the total working period.

Protect yourself against the effects of vibration by maintaining the tool and its accessories, keeping your hands warm, and organising your work patterns.

## ASSEMBLY

**Before any work on the machine (e.g. maintenance, tool change, etc) as well as during transport and storage, set rotational direction switch to the centre position.** Unintentional actuation of the trigger can lead to injuries.

## Battery charging

### Charging your screwdriver/drill

When the charger is connected to the electricity supply, the red diode on the screwdriver/drill lights up. The diode lights up while the battery is being charged (8).

Under normal conditions of use the screwdriver can be recharged several hundred times.

**ATTENTION!** The recharging process generates heat in the battery.

**Note:** The battery that is supplied with the screwdriver has been charged for test purposes only and must be fully recharged before first time use.

First read the safety instructions and then follow the loading instructions. Insert the charger plug into the socket in the screwdriver/drill. Then connect the charger to the electricity supply.

Make sure that there are no knots or sharp bends in the cable.

The charger's transformer and the battery have been designed to be used together.

**NEVER** use this charger to recharge cordless tools or batteries from other manufacturers. The battery will gradually lose its charge over a period of time, even if the tool is not used.

The lithium-ion battery is protected against deep discharging by the "Electronic Cell Protection (ECP)". When the battery is empty, the machine is switched off by means of a protective circuit: The tool no longer rotates.



**WARNING! Do not continue to press the forward/reverse switch after the machine has been automatically switched off.** The battery can be damaged.



**WARNING! Recharge the battery on a non-flammable surface. Do not recharge the battery for more than eight hours.** The red diode will go out when the battery has been fully loaded.

Disconnect the cable and store the charger in a suitable place when it is not in use.

It is not advisable to recharge the battery in



temperatures below freezing.

**When removing the battery from the machine, actuate the trigger switch (4) until the battery is completely discharged.** Unscrew the screws in the casing and take off the casing shell. Disconnect the connections on the battery and remove the battery (see illustration A).

## INSTRUCTIONS FOR USE

### Regulating the shaft speed

It is possible to regulate shaft speeds from zero to maximum by altering the pressure applied to the trigger.

### Reversing the direction of rotation

You can reverse the direction of rotation by using the selector above the trigger. To lock the trigger, set the selector to the mid position between the right and left options.

### Adjusting the tightening moment

Turn the torque regulator to the desired position. Settings 1-15 are used for tightening/loosening screws (the higher the value, the greater the tightening moment). Select the drill symbol before using the tool for drilling.

### Keyless chuck

Your drill has a keyless chuck so that you can simply tighten or release drill/driver bits. To open/close the chuck hold the rear ring and rotate the front sleeve.



### **WARNING: RISK OF TRAPPING**

Do not hold the front sleeve of the chuck with one hand at the same time as you open or close the jaws of the chuck with the help

of the drill/screwdriver's motor.

### Mounting drill/driver bits

Set the drill/driver's trigger in mid position. Adjust the chuck until the opening is slightly larger than the shaft of the drill bit that you wish to use.

Insert the drill bit into the chuck. Tighten the chuck against the drill as described above (Keyless chuck).

## MAINTENANCE AND CLEANING

**Before any work on the machine (e.g. maintenance, tool change, etc) as well as during transport and storage, set the selector for rotation right/left to the centre position.** Unintentional actuation of the trigger can lead to injuries.

**For safe and proper working, always keep the machine and ventilation slots clean.**

## ENVIRONMENTAL DISPOSAL INSTRUCTIONS

### Help to protect the environment

Information (for private households) about the environmentally sound disposal of electrical and electronic equipment in accordance with the WEEE directive (Waste Electrical and Electronic Equipment).



This symbol on electrical and electronic products and the documentation that accompanies them indicates that these products may not be discarded together with ordinary household waste. Instead the products must be taken to a designated collection point where they will be received

free of charge for disposal, treatment, reuse and recycling as appropriate. In certain countries products may also be returned to the point of sale when purchasing an equivalent new product. By disposing of this product in the proper manner you are helping to save valuable natural resources and to eliminate the negative effects that the irresponsible disposal and management of waste can have on health and the environment. Please contact the relevant authorities where you live for information about your nearest WEEE collection point. Disposing of this type of waste in an unapproved manner may render you liable to fine or other penalty according to the law.

#### **Disposing of damaged or exhausted batteries**

Do not dispose of discarded batteries together with ordinary household waste. In accordance with the law, damaged or exhausted batteries must be taken to the nearest collection point for batteries or a battery management company. Failure to comply with these regulations may render you liable to fine or other penalty.

#### **Information about disposal for users in countries outside the European Union**



This symbol applies only within the European Union. Please contact the relevant authorities or retailer in your country for information about the correct method of disposal for this product.

## FIXA skruetrækker/boremaskine, Li-Ion 7,2V

### TEKNISKE SPECIFIKATIONER

#### Spænding/batteritype:

7,2 V lithium-ion-batteri.

**Maks. omdr./minut (hastighed uden belastning):** 0-400 omdr./min.

**Maks. spændingsmoment:** 5 Nm.

**Holder til bor:** 6 mm.

**Patron:** 10 mm, nøgleløs patron med hurtig montering/afmontering af bor.

**Oplader:** Lokal netspænding.

**Opladningstid:** 3-8 timer.

**Øvrige oplysninger:** Indstilleligt drejningsmoment.

**Vibration (i henhold til EN 60745-1, EN 60745-2-1, EN 60745-2-2)**

$< a_{h,D} = 0,945 \text{ m/s}^2$ ,  $K = 1,5 \text{ m/s}^2$ .

$a_{h,v} = 0,564 \text{ m/s}^2$ ,  $K = 1,5 \text{ m/s}$ .

**Støj (i henhold til EN 60745-1)**

Støjtryksniveau  $L_{pa} = 63,6 \text{ dB (A)}$ ,

$K_{pa} = 3 \text{ dB (A)}$

Støjeffektniveau  $L_{wa} = 74,6 \text{ dB (A)}$ ,

$K_{wa} = 3 \text{ dB (A)}$

### DELE

Nummereringen af produktets funktioner herunder henviser til tegningen af skruetrækkeren/boremaskinen på illustrationssiden.

1. Nøgleløs patron
2. Regulator, spændingsmoment
3. Vælger til rotation højre/venstre
4. Trinløs variabel hastighedskontrol/udløser
5. Oplader
6. Opladerstik
7. Opladerstikkontakt
8. Opladningsindikator
9. Holder til skruetrækkerdel

### ANVENDELSESOMRÅDER

Den trådløse boremaskine/skruetrækker

kan bruges til at bore i træ, metal, plast og keramiske materialer, og til at spænde eller løsne skruer.

### GENERELLE

### SIKKERHEDSANVISNINGER

#### Generelle sikkerhedsanvisninger for elværktøj



**ADVARSEL!**



**Læs alle sikkerhedsadvarsler og -anvisninger.** Manglende overholdelse af advarsler og anvisninger kan føre til elektrisk stød, brand og/eller alvorlig tilskadekomst.

#### Gem alle advarsler og anvisninger til senere brug.

Udtrykket "elværktøj" i alle advarslerne herunder henviser til dit elværktøj med nettilslutning (med ledning) eller batteridrevne elværktøj (trådløst).

#### Sikkerhed i arbejdsområdet

- Hold arbejdsområdet rent og veloplyst.** Rodede og mørke områder giver risiko for uheld.
- Elværktøj må ikke bruges i omgivelser med eksplosionsfare, f.eks. i nærheden af brændbare væsker, gasser eller støv.** Elværktøj skaber gnister, der kan antænde støv eller dampe.
- Børn og andre personer må ikke være i nærheden, når du betjener et elværktøj.** Hvis du bliver distraheret, kan du miste kontrollen over værktøjet.

#### Elektrisk sikkerhed

- Stikket på elværktøjet skal passe til eludtaget. Stikket må ikke ændres**

**på nogen måde. Brug ikke et adapterstik sammen med et jordet/jordforbundet elværktøj.** Stik, der ikke er ændret, og eludtag, der passer til, reducerer risikoen for elektrisk stød.

- b. **Undgå kropskontakt med overflader med jordkontakt, f.eks. rør, radiatorer, komfurer og køleskabe.** Der er større risiko for at få stød, hvis din krop har jordkontakt.
- c. **Elværktøj må ikke udsættes for regn eller fugtige forhold.** Hvis der trænger vand ind i et elværktøj, stiger risikoen for elektrisk stød.
- d. **Ledningen må ikke beskadiges. Brug aldrig ledningen til at bære eller trække i elværktøjet eller til at trække stikket ud af stikkontakten. Hold ledningen væk fra varme, olie, skarpe kanter eller bevægelige dele.** Beskadigede eller filtrerede ledninger forøger risikoen for elektrisk stød.
- e. **Når du betjener et elværktøj udendørs, skal du bruge en forlængerledning, der er beregnet til udendørs brug.** Hvis du bruger en ledning, der er beregnet til udendørs brug, reduceres risikoen for elektrisk stød.
- f. **Hvis du ikke kan undgå at betjene elværktøjet i fugtige omgivelser, skal du bruge en beskyttelsesenhed til reststrøm (RCD).** Brug af RCD reducerer risikoen for at få elektrisk stød.

### Personlig sikkerhed

- a. **Vær opmærksom, hold øje med, hvad du laver, og brug almindelig sund fornuft, når du betjener et elværktøj. Brug ikke et elværktøj, hvis du er træt eller påvirket af narkotika, alkohol eller medicin.** Et øjeblik uopmærksomhed, mens du bruger et elværktøj, kan forårsage alvorlig personskade.
- b. **Brug personlige værnemidler. Bær altid øjenværn.** Sikkerhedsudstyr, f.eks.

støvmaske, skridsikre sikkerhedssko, beskyttelseshjelm eller høreværn, der bruges under de relevante forhold, reducerer risikoen for personskade.

- c. **Undgå, at værktøjet starter ved en fejl: Sørg for, at kontakten er slukket, før du sætter stikket i stikkontakten og/eller batteriet, løfter eller bærer værktøjet.** Risikoen for ulykker stiger, hvis du bærer elværktøj med fingeren på kontakten eller sætter stikket i stikkontakten, når kontakten er tændt.
- d. **Fjern indstillingskile eller skruenøgle, før du tænder elværktøjet.** En skruenøgle eller kile, der sidder i en roterende del på elværktøjet, kan medføre personskade.
- e. **Lad være med at strække dig, når du bruger elværktøjet.** Hold hele tiden fødderne på jorden, og hold balancen. Det giver dig bedre kontrol over elværktøjet, hvis der opstår en uventet situation.
- f. **Bær fornuftigt tøj, ikke løs beklædning eller smykker. Hold hår, beklædning og handsker væk fra bevægelige dele.** Løst tøj, smykker og langt hår kan sidde fast i bevægelige dele.
- g. **Hvis der leveres apparater til tilslutning af støvudsugnings- og opsamlingsudstyr, skal du sørge for, at de tilsluttes og bruges korrekt.** Brug af dette udstyr kan reducere farer ifm. støv.

### Brug og vedligeholdelse af elværktøjet

- a. **Elværktøjet må ikke betjenes med magt. Brug et elværktøj, der er beregnet til den relevante opgave.** Det er bedre og mere sikkert at bruge et elværktøj, der er udviklet til opgaven.
- b. **Brug ikke elværktøjet, hvis tænd-/slukkkontakten ikke fungerer.** Elværktøj, der ikke kan kontrolleres med tænd-/slukkkontakten er farligt og skal

repareres.

- c. **Træk stikket ud af stikkontakten og/eller fjern batteriet, før du ændrer værktøjet, skifter tilbehør eller lægger værktøjet væk.** Forebyggende sikkerhedsforanstaltninger som disse reducerer risikoen for, at elværktøjet starter ved en fejl.
- d. **Opbevar elværktøj, der ikke er i brug, utilgængeligt for børn, og lad ikke personer, der ikke er bekendt med brugen af værktøjet eller disse anvisninger, betjene elværktøjet.** Elværktøj er farligt i hænderne på uerfarne brugere.
- e. **Elværktøjet skal vedligeholdes.** Efterse de bevægelige dele for skævheder og kontrollér, om de binder eller er ødelagte, eller om der er andre forhold, der kan påvirke elværktøjets drift. Hvis elværktøjet er beskadiget, skal det repareres før brug. Mange ulykker forårsages af elværktøj, der ikke er tilstrækkeligt vedligeholdt.
- f. **Hold skæreværktøjer skarpe og rene.** Et korrekt vedligeholdt skæreværktøj med skarpt skær binder ikke og er nemmere at styre.
- g. **Brug elværktøj, tilbehør, bordele osv. i henhold til disse anvisninger og på den måde, der er beregnet til det pågældende elværktøj.** Tag hensyn til arbejdsforholdene og den opgave, der skal udføres. Brug af elværktøj til andre opgaver end dem, det er beregnet til, kan medføre farlige situationer.
- h. **Hold fast på elværktøjet på de isolerede gribeområder, når du udfører arbejde, hvor tilbehøret kan komme i kontakt med skjulte ledninger eller strømkablet.** Hvis tilbehøret får kontakt med en strømførende ledning, kan de bløtlagte metaldele på værktøjet også blive strømførende og kan give brugeren

elektrisk stød.

### Brug og vedligeholdelse af batteridrevet værktøj

- a. **Må kun genoplades med den oplader, der er angivet af producenten.** En oplader, der er beregnet til én type batteri, kan medføre brandfare, hvis den bruges sammen med et andet batteri.
- b. **Brug kun elværktøj sammen med de angivne batterier.** Hvis der bruges andre batterier, kan der opstå fare for personskade og brand.
- c. **Når batteriet ikke er i brug, skal det holdes væk fra andre metalgenstande, f.eks. papirclips, mønter, nøgler, søm, skruer eller andre små metaldele, der kan skabe forbindelse mellem terminalerne.** Kortslutning af batteriterminalerne kan forårsage forbrændinger eller brand.
- d. **Hvis batteriet bruges forkert, kan det lække væske. Undgå kontakt med denne væske. Hvis der opstår kontakt ved et uheld, skal området skylles med vand. Hvis du får væsken i øjnene, skal du søge læge.** Væske fra batteriet kan medføre irritation eller forbrænding.

### Service

- a. **Få dit elværktøj serviceret af en uddannet person, der kun bruger originale reservedele.** Det garanterer, at elværktøjet bliver ved med at være sikkert at bruge.

### MASKINSPECIFIKKE SIKKERHEDSANVISNINGER

#### Sikkerhedsadvarsler for boremaskiner/skruetrækkere

**Brug egnede søgeinstrumenter til at finde frem til skjulte forsyningsledninger i arbejdsområdet,**

**eller kontakt det lokale forsyningsselskab.** Kontakt med elektriske ledninger kan medføre brand og elektrisk stød. Beskadigelse af en gasledning kan medføre eksplosion. Gennemsvævning af et vandrør kan medføre materiel skade eller elektrisk stød.

**Sluk straks elværktøjet, hvis indsatsværktøjet blokerer. Vær opmærksom, hvis elværktøjet arbejder med høje reaktionsmomenter, da det kan medføre tilbageslag.** Indsatsværktøjet blokerer, hvis

- elværktøjet overbelastes
- eller hvis det sætter sig fast i arbejdsemnet.

**Hold godt fast i elværktøjet.** Når skruer spændes og løsnes, kan der opstå korte, høje reaktionsmomenter.

**Fastgør arbejdsemnet.** Et arbejdsemne holdes bedre fast med spændestykker eller i en skruevinge end med hånden.

**Hold din arbejdsplads ren.** Der kan især opstå farlige situationer, hvis forskellige materialer bliver blandet. Letmetalstøv kan brænde eller eksplodere.

**Læg først elværktøjet fra dig, når det er standset helt.** Indsatsværktøjet kan blokere, og du kan miste kontrollen over elværktøjet.

**Undgå at tænde værktøjet ved en fejl.** Kontrollér, at tænd-slukkkontakten er slukket, før batteriet sættes i. Undgå at bære elværktøjet med fingeren placeret på kontakten, eller at sætte batteriet i værktøjet, når kontakten er tændt, da det kan medføre ulykker.

## Sikkerhedsadvarsler vedrørende batteriopladere



Kun til indendørs brug.



Dobbeltisoleret.

**Hold batteriopladeren væk fra regn og fugt.** Hvis der trænger vand ind i batteriopladeren, stiger risikoen for at få elektrisk stød.

**Oplad ikke andre batterier.** Batteriopladeren er kun beregnet til at oplade de batterier, der leveres med dette elværktøj. Hvis den bruges til andre batterier, kan der opstå risiko for brand eller eksplosion.

**Hold batteriopladeren ren.** Hvis den er snavset, kan der opstå fare for at få elektrisk stød.

**Kontrollér batterioplader, ledning og stik før hver brug. Hvis de er beskadiget, må batteriopladeren ikke bruges. Forsøg aldrig at åbne batteriopladeren selv. Reparationer må kun udføres af fagpersoner.** Beskadigede batteriopladere, ledninger og stik forøger risikoen for at få elektrisk stød.

**Batteriopladeren må ikke bruges på let antændelige overflader (f.eks. papir, tekstiler osv.) eller i brandfarlige omgivelser.** Batteriopladeren bliver varm under opladningsprocessen, og det kan medføre brandfare.

**Børn skal overvåges for at sikre, at de ikke leger med batteriopladeren.**

## OPLYSNINGER OM VIBRATION

### Vibrationsniveau

Det vibrationsudledningsniveau, der er angivet i disse anvisninger, er målt i henhold til en standardiseret test, der fremgår af EN 60745. Testen kan bruges til at sammenligne værktøj og som en foreløbig vurdering af, hvilket vibrationsniveau man udsættes for, når man bruger værktøjet til de nævnte formål. Brug af værktøjet til forskellige formål, eller med andet eller dårligt vedligeholdt tilbehør, kan dog forøge vibrationsudledningen betragteligt.

I vurderingen af, hvilket vibrationsniveau man bliver udsat for, skal der også tages højde for de tidspunkter, hvor værktøjet er slukket, eller er tændt, men ikke bruges, da det kan medføre en betragtelig reduktion i vibrationsudledningen i den samlede arbejdsperiode.

Beskyt dig mod vibrationerne ved at vedligeholde værktøjet og tilbehøret, hold dine hænder varme, og organiser dine arbejdsmonstre.

## MONTERING

**Rotationsretningsomskifteren skal sættes i midterpositionen, før der indstilles på værktøjet (f.eks. vedligeholdelse, udskiftning af bor osv.) samt under transport og ved opbevaring.** Hvis du ved en fejl kommer til at tænde værktøjet, kan du komme til skade.

### Batteriopladning

#### Sådan oplader du din skruetrækker/boremaskine

Når opladeren er tilsluttet elnettet, lyser den røde lampe på skruetrækkeren/boremaskinen. Lampen lyser, når batteriet lades op (8).

Ved normal brug kan skruetrækkeren oplades flere hundrede gange.

**BEMÆRK!** Genopladningsprocessen gør batteriet varmt.

**Bemærk!** Batteriet, der leveres med skruetrækkeren, er udelukkende ladet op som led i en test og skal oplades fuldstændigt, før skruetrækkeren bruges første gang.

Læs først sikkerhedsanvisningerne, og følg derefter anvisningerne for isætning af batteri. Sæt opladerens stik i stikket på skruetrækkeren/boremaskinen. Slut derefter opladeren til elnettet.

Sørg for, at der ikke er knuder eller skarpe knæk på ledningen.

Opladerens transformer og batteriet er designet til at blive brugt sammen.

Opladeren må **ALDRIG** bruges til at genoplade trådløst værktøj eller batterier fra andre producenter.

Batteriet bliver gradvist afladet over tid, også selvom værktøjet ikke bliver brugt. Lithium-ion-batteriet er beskyttet mod fuldstændig afladning af ECP batteribeskyttelse. Når batteriet er tomt, slukker værktøjet ved hjælp af et beskyttelses kredsløb, og værktøjet stopper.



**ADVARSEL!** Undlad at trykke på frem-/tilbageknappen, når værktøjet er slukket automatisk, da det kan beskadige batteriet.



**ADVARSEL!** Batteriet må kun oplades på en ikke-brændbar overflade.

**Batteriet må ikke oplades i mere end 8 timer.** Den røde lampe slukker, når batteriet er fuldt opladet.

Træk stikket ud af kontakten, og opbevar opladeren et passende sted, når den ikke er i brug.

Det anbefales ikke at genoplade batteriet i temperaturer under frysepunktet.

**Når du skal tage batteriet ud af maskinen, skal du aktivere tænd-/slukknappen (4), indtil batteriet er helt afladet. Løsn skruerne på dækslet, og tag det af.** Afmonter batteritilslutningerne og tag batteriet ud (se illustration A).

## BRUGSANVISNING

**Regulering af omdrejningshastighed**  
Omdrejningshastighederne kan ændres fra nul til maksimum ved at ændre det tryk, der lægges på udløseren.

### Vending af rotationsretning

Du kan vende rotationsretningen med den vælger, der er placeret oven over udløseren. Lås udløseren ved at sætte vælgeren i den midterste position mellem valgmulighederne for højre og venstre.

### Indstilling af tilspændingsmoment

Drej regulatoren for tilspændingsmoment til den ønskede position. Indstillingerne 1-15 bruges til at spænde eller løsne skruer (jo højere værdi, jo højere tilspændingsmoment). Vælg boresymbol, før du går i gang med at bore.

### Nøgleløs patron

Boremaskinen har en nøgleløs patron, så det er nemt at fastgøre eller løsne bor eller skruetrækkerdele.

Når du skal åbne eller lukke patronen, skal du holde fast i den bageste ring og dreje den forreste indsatspatron.



## ADVARSEL: RISIKO FOR KLEMNING

Hold ikke fast i patronens forreste ring med den ene hånd, samtidig med at du åbner eller lukker patronens kæber ved hjælp af boremaskinens/skruetrækkerens motor.

### Montering af bor/skruetrækkerdele

Sæt boremaskines/skruetrækkerens udløser i den midterste position.

Tilpas patronen, indtil åbningen er lidt større end skaftet på det bor, du skal bruge.

Sæt boret i patronen.

Spænd patronen omkring boret som beskrevet ovenfor (nøgleløs patron).

## VEDLIGEHOLDELSE OG RENGØRING

**Sæt vælgeren til højre-/venstrerotation i midterposition, før der udføres arbejde på værktøjet (f.eks. vedligeholdelse, udskiftning af bor osv.) samt under transport og ved opbevaring.** Hvis du ved en fejl kommer til at tænde værktøjet, kan du komme til skade.

**Hold altid elværktøjet og ventilationsåbningerne rene, så værktøjet fungerer sikkert og ordentligt.**

## ANVISNINGER TIL MILJØVENLIG BORTSKAFFELSE

### Hjælp med at beskytte miljøet

Information (til private husholdninger) om miljømæssigt ansvarlig bortskaffelse af elektrisk og elektronisk udstyr i overensstemmelse med WEEE-direktivet.





Dette symbol for elektriske og elektroniske produkter og den medfølgende dokumentation angiver, at disse produkter ikke må bortskaffes sammen med almindeligt husholdningsaffald. Derimod skal produkterne afleveres på angivne indsamlingssteder, hvor de uden beregning bliver modtaget til bortskaffelse, behandling, genanvendelse eller genbrug. I nogle lande kan produkter også afleveres på salgsstedet, når du køber et tilsvarende nyt produkt. Ved at bortskaffe dette produkt korrekt hjælper du med at spare værdifulde naturressourcer og reducere de negative påvirkninger, som uansvarlig bortskaffelse og affaldshåndtering kan have på menneskers helbred og miljøet. Kontakt de relevante myndigheder der, hvor du bor, for at få oplysninger om det nærmeste WEEE-indsamlingssted. Ikke-godkendt bortskaffelse af denne type affald kan medføre bødestraf eller andre former for straf i henhold til gældende lovgivning.

### **Bortskaffelse af batterier**

Batterierne må ikke bortskaffes sammen med almindeligt husholdningsaffald. I overensstemmelse med loven skal beskadigede eller brugte batterier afleveres på det nærmeste indsamlingssted for batterier eller hos en relevant virksomhed. Manglende overholdelse af disse regler kan medføre bødestraf eller anden straf.

### **Information om bortskaffelse for brugere i lande uden for EU.**



Dette symbol gælder kun i EU. Kontakt de relevante myndigheder eller detailvirksomheden i dit land for at få oplysninger om korrekt bortskaffelse af dette produkt.

**FIXA skrufvél/bor, Li-Ion 7,2V**

**TÆKNILEGAR UPPLÝSINGAR**

**Spenna/gerð rafhlöðu:**

7,2 V líþíum-jóna rafhlaða

**Snúningshraði:** 0-400 sn/m.

**Hámarkstog:** 5 Nm.

**Skrúfbitahulstur:** 6 mm.

**Patróna:** 10 mm, lykllalaus, einfalt að skipta um bor/skrúfbita.

**Inntaksspenna hleðslutækis:**

Inntaksspenna á staðnum

**Hleðslutími:** 3-8 klukkustundir.

**Aðrar upplýsingar:** Stillanlegt tog.

**Títringur (samkvæmt EN 60745-1,**

**EN 60745-2-1, EN 60745-2-2)**

Borað í málm:  $< a_{h,D} = 0,945 \text{ m/s}^2$ ,  
 $K = 1,5 \text{ m/s}^2$ .

Skrúfað án höggs:  $a_{h_i} = 0,564 \text{ m/s}^2$ ,

$K = 1,5 \text{ m/s}$ .

**Hávaði (according to EN 60745-1)**

Hljóðþrýstistig  $L_{pa} = 63,6 \text{ dB (A)}$ ,

$K_{pa} = 3 \text{ dB (A)}$

Hljóðafsstig  $L_{wa} = 74.6 \text{ dB (A)}$ ,

$K_{wa} = 3 \text{ dB (A)}$

**ÍHLUTIR**

Númer hlutanna vísa til myndar af vélinni á myndasíðunni.

1. Lykllalaus patróna
2. Togstillir
3. Rofi til að velja snúningsátt
4. Gikkur með hraðastjórn
5. Hleðslutæki
6. Tengill á hleðslutæki
7. Hleðslutæði
8. Hleðslumælir
9. Skrufbitahulstur

**NOTKUN**

Þessa þráðlausu borvél má nota til að bora í við, málm, plast og keramik, og til að festa og losa skrufur.

**ALMENNAR ÖRYGGISLEIÐBEININGAR**



**Varúð!**



**Lesið allar leiðbeiningar.** Ef ekki er farið eftir öllum öryggisleiðbeiningum gæti það orsakað raflost, eldsvoða og/eða alvarleg slys.

**Geymið allar viðvaranir og leiðbeiningar.**

Orðið „verkfæri“ í öllum leiðbeiningum hér að neðan á við um bæði verkfæri tengd beint við rafmagn og eins þráðlaus verkfæri sem ganga fyrir rafhlöðu. Geymið þessar leiðbeiningar.

**Vinnusvæði**

- a. **Hafið vinnusvæðið snyrtilegt og vel upplýst.** Öreiða og slæm lýsing á vinnusvæði býður hættunni heim.
- b. **Notið ekki verkfæri á stöðum þar sem getur skapast sprengihætta, til að mynda nálægt eldfimum vökva, gasi eða ryki.** Verkfæri geta gefið frá sér neista sem getur kveikt í ryki og gufum.
- c. **Haldið börnum og nærstöddum fjarri vinnusvæði á meðan verkfærið er í notkun.** Ónæði getur orðið til þess að þú missir einbeitinguna.

**Rafmagnsöryggi**

- a. **Nota verður víðeigandi innstungu fyrir kló verkfærisins. Reynið aldrei að breyta klónni á nokkurn hátt. Notið ekki millistykki með jarðtengdum verkfærum.** Notkun upprunalegra klóa og innstungna dregur úr hættu á raflosti.

- b. **Forðist að snerta jarðtengda fleti, eins og leiðslur, ofna, eldavélar eða ísskápa.** Það getur aukði hættu á raflosti ef notandinn er tengdur jörð.
- c. **Notið ekki verkfæri í regni eða bleytu.** Ef vatn kemst inn í verkfærið er hættu á raflosti.
- d. **Farið vel með snúrana. Notið snúrana aldrei til að bera verkfærið, draga það áfram eða til að kippa úr sambandi. Haldið snúrunni fjarri hita, olíu, beittum hlutum og hlutum á hreyfingu.** Skemmd eða flækt snúra eykur hættu á raflosti.
- e. **Þegar verkfæri er notað utandyra, þarf að nota framlengingarsnúru sem til þess er ætluð.** Það dregur úr hættu á raflosti.
- f. **Ef ekki er komist hjá því að nota verkfærið við rök skilyrði ætti alltaf að nota útsláttaröryggi.** Það dregur úr hættu á raflosti.

### Öryggi þitt

- a. **Vertu vakandi, gættu að því sem þú gerir og notaðu almenna skynsemi við notkun verkfæra.** Notaðu ekki verkfæri þegar þú ert þreytt/ur eða undir áhrifum eiturlyfja, áfengis eða lyfja. Augnabliks einbeitingarskortur getur valdið alvarlegu slysi.
- b. **Notið öryggisbúnað. Notið alltaf öryggisgleraugu.** Rétt notaður öryggisbúnaður eins og rykgríma, öryggisskór, öryggishjálmur og heyrnarhlíf dregur úr slysaþættu.
- c. **Gætið þess að ekki kvikni óvart á verkfærinu. Gætið þess að slökkt sé á verkfærinu áður en því er stungið í samband.** Ef haldið er á verkfæri með fingurinn á gikknum eða stungið í samband á meðan kveikt er á því, eykst slysaþættu.
- d. **Fjarlægjið smærri verkfæri sem hanga mögulega á verkfærinu, til að mynda skruflykla og slíkt, áður en kveikt er á því.**

- e. **Teygðu þig ekki of langt. Hafðu alltaf góða fótfestu.** Þá hefurðu betri stjórn á verkfærinu ef eitthvað óvænt gerist.
- f. **Vertu í viðeigandi klæðnaði. Vertu ekki í of víðum fatnaði eða með hangandi skartgripi. Haltu hári, fötum og hönskum fjarri hlutum sem snúast.** Víð föt, skartgripir eða sitt hár geta fests í hlutum verkfærisins sem snúast.
- g. **Gætið þess að nota aukahluti eins og ryksafnara á réttan hátt.** Notkun slíks búnaðar getur dregið úr slysaþættu.

### Notkun og umhirda verkfærisins

- a. **Þvingið ekki verkfærið. Notið rétt verkfæri fyrir hvert verkefni.** Rétt valið verkfæri vinnur verkefnið betur og á öruggari hátt.
- b. **Notið ekki verkfærið ef það fer ekki í gang þegar kveikt er á því.** Verkfæri sem ekki er hægt að kveikja á eða slökkuva á eðlilegan hátt er hættulegt og þarfnast viðgerðar.
- c. **Takið úr sambandi áður en átt er við verkfærið á nokkurn hátt, skipt um aukahluti eða það sett í geymslu.** Slíkar varúðarráðstafanir draga úr líkum á að það fari óvænt í gang.
- d. **Geymið verkfæri sem ekki eru í notkun þar sem börn ná ekki til og leyfið ekki óvönum að nota verkfærið.** Verkfæri eru hættuleg í höndum óþjáfaðra.
- e. **Haldið verkfærum vel við. Athugið reglulega hvort hlutar þess hafi skekkst eða skemmt, eða hvort það sé skemmt á nokkurn annan hátt sem gæti orðið til þess að það virki ekki sem skyldi. Ef það er skemmt þarf að láta gera við það áður en það er notað.** Mörg slysa má rekja til slælegs viðhalds.

- f. **Haldið verkfærum sem notuð eru til skurðar beittum og hreinum.** Hnífar og blöð sem haldið er beittum eru ólíklegri til að standa á sér og láta betur að stjórn.
- g. **Notið verkfærið, fylgihluti, skrúfbita og annað í samræmi við leiðbeiningar og á tilætlaðan hátt í hverju tilviki fyrir sig. Takið alltaf tillit til aðstæðna og verkefnis.**  
Notkun verkfærisins í öðrum en tilætluðum tilgangi eykur slyshættu.
- h. **Haldið um einangraða hluta verkfærisins þegar hætta er á að skurðarhlutinn komist í snertingu við falda víra eða eigin snúru.** Ef skurðarblað kemst í snertingu við „lifandi“ vír getur það leitt strauminn í bera málmhluta verkfærisins og valdið raflosti hjá notandanum.

#### **Notkun og umhirða rafhlöðu**

- a. **Notið aðeins hleðslutæki sem samþykkt er af framleiðanda.**  
Hleðslutæki sem hentar einni rafhlöðu gæti valdið eldhættu ef notað með annarri rafhlöðu.
- b. **Notið aðeins rafhlöður sem ætlaðar eru þessu verkfæri.** Ef notaðar eru aðrar rafhlöður getur skapast slysa- og eldhætta.
- c. **Þegar rafhlöðurnar eru ekki í notkun ætti að geyma þær fjarri öðrum málmhlutum eins og bréfa-klemmum, smámynt, lykllum, nøglum, skrúfum og öðrum smáhlutum úr málmi sem geta leitt straum.** Skammhlaup í rafhlöðunum getur valdið brunasárum eða eldhættu.
- d. **Við slæma meðhöndlun gæti rafhláðan lekið. Snertið ekki vökvann.** Ef vökvinn kemst í snertingu við húð á að skola með vatni. Ef vökvinn berst í augu þarf að leita læknis. Vökví sem lekur úr rafhlöðu getur valdið óþægindum eða bruna.

#### **Viðhaldsþjónusta**

- a. **Nýtið ykkur aðstoð fagmanns sem notar upprunalega varahluti, til að gera við verkfærið.**  
Það tryggir viðvarandi öryggi verkfærisins.

#### **SÉRTÆKAR ÖRYGGISLEIÐBEININGAR**

##### **Öryggisviðvaranir fyrir bor- og skrúfvélar**

**Notið viðeigandi nema til að meta hvort faldir vírar eða pípur séu þar sem á að bora/skrúfa. Ef borað eða skrúfað er í rafmagnslínur getur það valdið eldsvoða og raflosti.** Ef skemmd getur það valdið sprengihættu. Ef vatnspípa er skemmd getur það valdið meiri skemmdum eða raflosti.

**Slökkvið tafarlaust á verkfærinu ef það festist. Verið viðbúin því að togið aukist og verkfærið geti rykkst til.** Borinn/skrúfbitinn getur stöðvast ef:

- Átakið er of mikið
- eða ef hann festist í viðfangsefninu.

**Haldið þétt um verkfærið. Það getur rykkst til við átakið þegar byrjað er að bora/skrúfa.**

**Hafið verkfærið stöðugt.** Verkfæri sem haldið er á sínum stað með þvingum eða í skrufstykki er mun öruggara en það sem haldið er með handafli.

**Haldið vinnusvæðinu hreinu.** Það er sérstaklega varasamt ef mismunandi efni blandast saman. Ryk úr málmblöndum er eldfimt og getur sprungið.

**Bíðið alltaf þar til borinn/skrúfbitinn hefur stöðvast að fullu áður en verkfærið er lagt niður.** Annars er hætta

á að hann festist og það leitt til þess að þú missir stjórn á verkfærinu.

**Gætið þess að verkfærið fari ekki óvart í gang.** Tryggið að gíkkurinn sé stilltur á off áður en rafhlaðan er sett í. Það býður slysunum heim að halda á verkfærinu með fingurinn á gíkknum eða setja rafhlöðuna í þegar aðalrofinn er stilltur á on.

### Öryggisviðvaranir fyrir rafhlöðuhleðslutæki



Aðeins til nota innandyra.



Tvöföld einangrun.

**Haldið hleðslutækinu fjarri regni og raka.** Ef raki kemst inn í tækið eykur það hættu á raflosti.

**Hlaði ekki aðrar rafhlöður í tækinu.** Hleðslutækið er aðeins ætlað rafhlöðunum sem fylgja með verkfærinu þínu. Annars getur myndast eld- og sprengihætta.

**Haldið hleðslutækinu hreinu.** Óhreinindi geta leitt til hættu á raflosti.

**Fyrir hverja notkun ætti að fara yfir hleðslutækið, snúruna og klóna. Ef einhverjar skemmdir koma í ljós á alls ekki að nota tækið. Opnið aldrei hleðslutækið sjálft. Látið faglærðan aðila um viðgerðir.** Skemmd hleðslutæki, snúrun eða klær auka hættuna á raflosti.

**Látið hleðslutækið ekki standa á, eða nálægt, eldfimu efni þegar það er í notkun (eins og pappir, vefnaðarvöru o.fl.).** Hitnun hleðslutækisins meðan á hleðslu stendur getur valdið eldhættu.

**Gætið þess að börn leiki sér ekki með hleðslutækið.**

### TITRINGUR

#### Titringsur

Titringsmengun sem gefin er upp í þessum leiðarvísi hefur verið mæld í samræmi við staðlað próf reglugerðar EN 60745; það gefur færi á að bera verkfæri saman og má nota til að meta titringsmengun sem notandi verkfærisins verður fyrir. Ef verkfærið er notað til annars en nefnt er í þessum leiðarvísi, eða með öðrum varahlutum, getur titringsmengun aukist umtalsvert.

Við mat á titringsmengun ætti einnig að taka tillit til hversu mikið slökkt er á tækinu eða það í gangi án þess að það sé í notkun, þar sem titringsmengunin er þá minni yfir heildarvinnutímann.

Verndaðu þig fyrir áhrifum titrings með því að halda verkfærinu og fylgihlutum þess vel við, halda höndunum heitum og með því að skipuleggja vinnuna vel.

### SAMSETNING

Áður en átt er við vélna sjálfa (eins og við viðhald eða skipti á verkfæri), og eins þegar hún er flutt á milli staða eða í geymslu, þarf að miðjustilla rofa sem stjórnar snúningsátt. Það getur valdið slyshættu að þrýsta óvart á gíkkinn.

### Rafhlaðan hlaðin

#### Hleðsla á skruf-/borvélinni

Það kviknar á rauða LED ljósinu þegar vélin er sett í hleðslu. Ljósið lýsir á meðan rafhlaðan er í hleðslu(8).

Við eðlilega notkun er hægt að endurhlaða vélna nokkur hundruð sinnum.

**ATHUGIÐ!** Rafhlaðan hitnar við hleðslu.

**Takið eftir:** Rafhlaðan sem fylgir borvélinni hefur aðeins verið hlaðin til prófunar og það verður að fullhlaða rafhlöðuna fyrir notkun.

Lesið allar öryggisleiðbeiningar og fylgið svo leiðbeiningum um hleðslu á rafhlöðunni. Setjið vélna í samband við hleðslutækið. Þá fyrst má setja hleðslutækið í samband við rafmagnsinnstungu.

Gangið úr skugga um að það séu engir hnútar eða beyglur á rafmagnssnúrunni.

Spennubreytirinn með hleðslutækinu og rafhlaðan sem fylgja þessari vél hafa verið hönnuð til að nota saman.

ÞAÐ **MÁ ALDREI** nota þetta hleðslutæki til að hlaða önnur rafmagnsverkfæri frá öðrum framleiðendum. Rafhlaðan missir hleðslu smátt og smátt, jafnvel þótt vélin sé ekki í notkun.

Líþím-jóna rafhlaðan er með ECP (Electronic Cell Protection) sem verndar gegn því að hún tæmist alveg. Þegar rafhlaðan tæmist slekkur verndarrafrás á vélinni og hún snýst ekki lengur.



**VARÚÐ! Ekki má halda áfram að þrýsta á rofann eftir að slokknar sjálfkrafa á vélinni.** Þá getur rafhlaðan skemmst.



**VARÚÐ! Endurhlaðið rafhlöðuna aldrei á eldfimu yfirborði. Hlaðið rafhlöðuna ekki lengur en í 8 klst. samfleytt.** Það slokknar á rauða ljósinu þegar rafhlaðan er fullhlaðin.

Takið hleðslutækið úr sambandi og geymið á hentugum stað þegar það er ekki í notkun.

Það er ekki ráðlegt að endurhlaða rafhlöðuna við hitastig undir frostmarki.

**Þegar rafhlaðan er fjarlægð úr vélinni þarf að halda rofanum (4) inni þangað tiul rafhlaðan er laus.** Losaðu skrufurnar í hylkinu og taktu það utan af rafhlöðunni. Aftengdu rafhlöðuna og fjarlægðu (sjá mynd A).

## NOTKUNARLEIÐBEININGAR

### Stjórnun snúningshraða

Hægt er að stjórna snúningshraðanum frá núlli að mesta hraða með því að þrýsta mismikið á gikkinn.

### Snúningsátt breytt

Hægt er að breyta snúningsátt með því að nota takkann fyrir ofan gikkinn.

Til að læsa gikknum þarf að setja takkann í miðjustöðu.

### Stilling á snúningsátaki

Veljið átak á togstillinum. Stillingar 1-15 eru notaðar til að festa og herða skrufur (því hærra gildi því meiri herðing). Veljið borstillingu áður en vélin er notuð til að bora.

### Lyklalaus patróna

Borvélin þín er með lyklalausri patrónu svo að einfalt sé að skipta um bor/skrúfbita. Til að losa borinn/skrúfbitann þarf að halda hringnum aftan við patrónuna föstum og snúa hulstrinu fremst.



**VARÚÐ: SLYSAHÆTTA**

Haldið ekki um fremsta hluta patrónunnar á sama tíma og hún er opnuð eða lokuð með vélarafli.

## Bor/skrúfbiti settur í

Stillið gíkkinn á miðjustillingu.

Stillið patrónuna þannig að opið sé örlítið stærra en endi borsins/skrúfbitans sem á að nota.

Setjið borinn/skrúfbitann í patrónuna. Herðið patrónuna utan um borinn/skrúfbitann eins og lýst er hér að ofan (Lyklalaus patróna).

Hafið samband við viðeigandi yfirvöld eða seljanda/dreifingaraðila til að fá ráðleggingar um rétta förgun rafeindasorps.

## Viðhald og þrif

Áður en viðhaldi og viðgerðum er sinnt, og eins við flutning og geymslu, þarf að miðjustilla aðalrofann. Óviljandi snúningur á vélinni getur leitt til meiðsla. Til að tryggja örugga og eðlilega virkni þarf að halda vélinni og loftræstigötum hreinum.

## LEIÐBEININGAR FYRIR UMHVERFISVÆNA FÖRGUN

### Takið þátt í að vernda umhverfið

Upplýsingar (fyrir heimili) varðandi umhverfisvæna förgun rafeindasorps (WEEE).



Merki þetta á vöru eða meðfylgjandi gögnum þýðir að henni megi ekki farga með almennu heimilissorpi þegar notkun hennar er lokið. Vöruna þarf að fara með á förgunarstöð þar sem tekið er við henni endurgjaldslaust og henni fargað á viðeigandi hátt fyrir rafeindasorp. Í sumum löndum er ef til vill mögulegt að fara með vöruna til seljanda til förgunar, ef keypt er ný samskonar vara. Með því að farga vörunni á réttan hátt er farið vel með

dýrmætar náttúruauðindir og komið í veg fyrir möguleg slæm áhrif á heilsu fólks eða umhverfið vegna rangrar förgunar eða meðhöndlunar. Kynnið ykkur vinsamlegast reglur á hverju svæði og til að fá upplýsingar um næstu förgunarstöð. Röng meðhöndlun rafeindasorps getur varðað við lög í sumum löndum.

## Förgun á skemmdum eða notuðum rafhlöðum

Notuðum rafhlöðum ætti ekki að farga með heimilissorpi. Tekið er við rafhlöðum á endurvinnslustöðvum, bensínstöðvum, raftækjaverslunum og víðar.

## Upplýsingar um förgun fyrir notendur utan Evrópusambandsins



Þetta merki gildir aðeins innan Evrópusambandsins. Hafðu vinsamlega samband við yfirvöld eða smásala þar sem þú býrð til að fá upplýsingar um rétta förgun á þessari vöru.

**Trådløs skrutrekker/drill, Li-Ion 7,2 V****TEKNISKE DATA****Spenning/batteritype:**

7,2 V litium-ion-batteri.

**Maks. o/min (uten belastning)**

0–400 o/min.

**Maks. dreiemoment:** 5 Nm.

Bitsholder: 6 mm (1/4").

**Chuck:** 10 mm (3/8"), nøkkelfri chuck med hurtigkopling.**Lader:** Lokal nettspenning.**Ladetid:** 3–8 timer.**Annen informasjon: Justerbart moment.****Vibrasjon (i henhold til EN 60745-1, EN 60745-2-1, EN 60745-2-2)**Ved boring i metall:  $a_{n,D} = 0,945 \text{ m/s}^2$ ,  
 $K = 1,5 \text{ m/s}^2$ .Skrutrekker uten støtkraft:  $a_n = 0,564 \text{ m/s}^2$ ,  
 $K = 1,5 \text{ m/s}$ .**Støy (i henhold til EN 60745-1)**Støytrykksnivå  $L_{pa} = 63,6 \text{ dB (A)}$ , $K_{pa} = 3 \text{ dB (A)}$ Støyeffektsnivå  $L_{wa} = 74,6 \text{ dB (A)}$ , $K_{wa} = 3 \text{ dB (A)}$ **LISTE OVER DELER/FUNKSJONER**

Nummereringen av produkter tilsvarer nummereringen på tegningen av skrutrekker/drillen på illustrasjonssiden.

1. Nøkkelfri chuck
2. Momentregulator
3. Velgerbryter for rotasjonsretning høyre/venstre
4. Trinnløs hastighetskontroll/bryter
5. Lader
6. Ladeplugg
7. Laderkontakt
8. Ladeindikator
9. Holder for skrubits

**BRUKSOMRÅDER**

Denne trådløse skrutrekker/drillen kan brukes til boring i tre, metall, plast og keramiske materialer, og til inn- og utskruing av skruer.

**GENERELLE SIKKERHETSINSTRUKSJONER****Advarsel!**

**Les alle instruksjonene.** Dersom du ikke følger alle instruksjonene under, kan dette føre til elektrisk støt, brann og/eller alvorlig personskade.

**Spar på alle advarsler og instruksjoner for fremtidig bruk.**

Uttrykket «elektroverktøy» i alle advarslene under refererer til ditt verktøy som drives med elektrisk strøm eller batteri.

**Sikkert arbeidsområde**

- Hold arbeidsområdet rent og godt opplyst.** Rot og mørke områder gir større fare for ulykker.
- Ikke bruk elektroverktøy i eksplosive miljøer, som i nærheten av lettantennelige væsker, gass eller støv.** Elektroverktøy gir gnister som kan antenne dunst fra væsker og gass.
- Hold barn og tilskuere unna mens du bruker elektroverktøy.** Distraksjoner kan føre til at du mister kontroll.

**Elektrisk sikkerhet**

- Kontakten til elektroverktøyet må passe til kontakten i veggen. Du må aldri endre på kontakten på noen måte. Ikke bruk adaptere til jordet verktøy.** Intakte og matchende kontakter vil redusere faren for elektrisk støt.
- Unngå kroppskontakt med jodede overflater slik som rør, radiatorer, komfyrer og kjøleskap.** Faren for elektrisk støt er større dersom din kropp er jordet.



- c. **La ikke elektroverktøy bli utsatt for regn eller fuktige forhold.** Dersom det kommer inn vann i et elektroverktøy øker faren for elektrisk støt.
  - d. **Ikke skad kabelaen. Bruk aldri kabelaen til å bære eller dra elektroverktøyet eller for å dra ut stikkkontakten. Hold ledninger borte fra høye temperaturer, olje, skarpe kanter eller bevegelige deler.** Skadede eller sammenfiltrede kabler øker faren for elektrisk støt.
  - e. **Når du bruker elektroverktøy utendørs må skjøteledningen være egnet for utendørs bruk.** Dersom man bruker en skjøteledning for utendørs bruk reduseres faren for elektrisk støt.
  - f. **Hvis du ikke kan unngå å bruke elektroverktøyet i fuktige omgivelser, skal du bruke en beskyttelsesenhet til reststrøm (RCD).** Bruk av RCD reduserer risikoen for å få elektrisk støt.
- ulykker.
  - d. **Ta av verktøy som for eksempel en skiftenøkkel før du skrur elektroverktøyet på.** Manuelt verktøy som er festet til den roterende delen av elektroverktøyet kan føre til alvorlig personskade.
  - e. **Ikke strekk deg for langt. Stå på stødig underlag og med god balanse.** Dette gir bedre kontroll over verktøyet i uventede situasjoner.
  - f. **Kle deg riktig. Ikke bruk løstsittende klær eller smykker. Hold hår, klær og hansker unna bevegelige deler.** Løse klær m.m. kan sette seg fast.
  - g. **Dersom det følger med innretninger som kan kobles til for å samle opp støv, sørg for at disse er koblet til og brukes riktig.** Bruk av disse kan redusere støvrelaterte skader.

### Bruk og vedlikehold av elektroverktøy

#### Personlig sikkerhet

- a. **Stay alert, watch what you are doing and a. Vær forsiktig, se på hva du gjør og bruk vanlig fornuft når du bruker elektroverktøy.** Ikke bruk elektroverktøy når du er trøtt eller påvirket av narkotika, alkohol eller medisin. Et øyeblikks uoppmerksomhet når du bruker elektroverktøy kan føre til alvorlig personskade.
- b. **Bruk verneutstyr. Bruk alltid vernebriller.** Sikkerhetsutstyr som støvmaske, vernesko som ikke glir, hjelm og hørselsvern brukt når forholdene krever det vil redusere faren for personskade.
- c. **Unngå start ved et uhell. Sørg for at bryteren er i av-posisjon før du setter i ledningen.** Å bære elektroverktøy med fingeren på bryteren, eller å sette i kontakten på verktøy som har bryteren i på-posisjon inviterer
- a. **Do not force the power tool. Use the a. Ikke prøv å tvinge elektroverktøy. Bruk riktig verktøy for oppgaven.** Riktig elektroverktøy vil gjøre jobben bedre og tryggere og så raskt som det er designet for.
- b. **Ikke bruk elektroverktøy dersom bryteren ikke lar seg skru av og på.** Ethvert verktøy som ikke kan kontrolleres med bryteren er farlig og må repareres.
- c. **Trekk ut kontakten før du gjør justeringer, endrer bits, tilbehør eller pakker bort verktøyet.** Slike forebyggende sikkerhetstiltak reduserer faren for å starte opp verktøyet ved et uhell.
- d. **Oppbevar elektroverktøy utenfor rekkevidde for barn og ikke la personer som ikke er kjent med denne typen verktøy eller disse instruksjonene utføre oppgaver med verktøyet.** Elektroverktøy er farlig i hendene på uerfarne brukere.

- e. **Vedlikehold av elektroverktøy. Sjekk verktøyet og se etter skjev innstilling av eller låsing av bevegelige deler, ødelagte deler og andre forhold som kan påvirke bruken av verktøyet.**

Mange uhell skjer på grunn av dårlig vedlikehold av elektroverktøy.

- f. **Hold skjæreverktøy skarpt og rent.** Godt vedlikeholdt skjæreverktøy med skarpe skjærekanter har mindre sjanser for at de låser seg og gjør dem lettere å kontrollere.
- g. **Bruk elektroverktøy, tilbehør og bits m.m. i henhold til disse instruksjonene og til den bruken dette elektroverktøyet er beregnet for også med tanke på arbeidsforhold og arbeidsoppgaver.** Bruk av elektroverktøy på andre måter enn det er beregnet for kan resultere i farlige situasjoner.
- h. **Hold på elektroverktøyet på de isolerte gripeområdene, når du utfører arbeid der tilbehøret kan komme i kontakt med skjulte ledninger eller strømkabler.** Hvis fastelementet får kontakt med en strømførende ledning, kan de blottlagte metalldelene på verktøyet også bli strømførende og kan gi brukeren elektrisk støt.

#### **Batteridrevet verktøy og vedlikehold**

- a. **Lades opp kun med den laderen som er angitt av produsenten.** En lader som passer til en batteripakke kan gi brannfare hvis den brukes med en annen batteripakke.
- b. **Bruk kun elektroverktøy sammen med de batteriene som er angitt.** Hvis det brukes andre batterier, kan det oppstå fare for personskaide og brann.
- c. **Når batteriet ikke er i bruk, skal det holdes borte fra andre metallgjenstander, f.eks. binders, mynter, nøkler, stift, skruer eller**

**andre små metalldele, som kan skape forbindelse mellom batteripolene.**

Kortslutning av batteripolene kan forårsake forbrenning eller brann.

- d. **Under for tøffe forhold kan det lekke væske fra batterier, unngå kontakt med denne væsken. Dersom du ved et uhell kommer i kontakt med væsken, skyl med vann. Dersom du får væsken i øynene, søk medisinsk hjelp.** Væske som spruter fra batterier kan gi irritasjon eller brannskår.

#### **Reparasjon**

- a. **Bruk en kvalifisert reparatør som bruker originale reservedeler for å reparere ditt elektriske verktøy.** Dette vil sikre at verktøyet fungerer som det skal.

#### **MASKINSPESIFIKKE SIKKERHETSANVISNINGER**

##### **Sikkerhetsadvarsler for driller og skrutrekkere**

**Bruk passende detektorer til å avgjøre om det kan skjule seg skjulte strøm-/gassledninger eller vannrør i arbeidsområdet ditt, eller ring ditt lokale strømforsyningsselskap for assistanse.** Kontakt med elektriske ledninger kan medføre brann og elektrisk støt. Skader på en gassledning kan medføre eksplosjon. Gjennomslag av et vannrør kan medføre materiell skade eller elektrisk støt.

**Slå straks av elektroverktøyet, dersom verktøyinnsatsen blokkeres. Vær oppmerksom, dersom elektroverktøyet arbeider med høye reaksjonsmomenter, da det kan medføre tilbakeslag.**

Verktøyinnsatsen blokkeres, hvis

- elektroverktøyet overbelastes

- zeller hvis det setter seg fast i arbeidsemnet.

**Hold godt fast i elektroverktøyet.** Når skruer spennes og løsnes, kan det oppstå korte, høye reaksjonsmomenter.

**Bruk klemmer eller en skruestikke for å holde fast materialene du arbeider med.** Det er tryggere enn å holde dem med den hånden du har ledig og frigjør begge hender til bruk av verktøyet.

**Hold arbeidsplassen din ren.** Der kan oppstå farlige situasjoner, hvis forskjellige materialer blir blandet. Lettmetallstøv kan brenne eller eksplodere.

**Legg først elektroverktøyet fra deg, når det er stanset helt.** Verktøynnsatsen kan blokkeres, og du kan miste kontrollen over elektroverktøyet.

**Unngå å slå på verktøyet ved en feil.** Kontroller at på-/avknappen er av, før batteriet settes i. Unngå å bære elektroverktøyet med fingeren plassert på på-/avknappen, eller å sette batteriet i verktøyet, når det er på, da det kan medføre ulykker.

### Sikkerhetsadvarsler for batteriladere



Kun for innendørs bruk.



Dobbeltisolert.

**Hold batteriladere borte fra regn og fukt.** Hvis det trenger vann inn i batteriladere, stiger risikoen for å få elektrisk støt.

### Lad ikke opp andre typer batterier.

Batteriladere er kun beregnet til å lade opp de batteriene som leveres med dette elektroverktøyet. Hvis den brukes til andre batterier, kan det oppstå risiko for brann eller eksplosjon.

**Hold batteriladere ren.** Hvis den er tilsmusset, kan det oppstå fare for å få elektrisk støt.

**Kontroller batteriladere, ledning og støpsel før hver bruk. Dersom de er skadet, må batteriladere ikke brukes. Forsøk aldri å åpne batteriladere selv. Reparasjoner skal kun utføres av fagpersoner.** Skadede batteriladere, ledninger og støpsel øker risikoen for å få elektrisk støt.

**Batteriladere må ikke brukes på lettantennelige overflater (f.eks. papir, tekstiler osv.) eller i brannfarlige omgivelser.** Batteriladere blir varme under oppladingsprosessen, og det kan medføre brannfare.

**Barn skal overvåkes for å sikre at de ikke leker med batteriladere.**

### VIBRASJONSINFORMASJON

#### Vibrasjonsnivå

Vibrasjonsutslippsnivået som er oppgitt i dette instruksjonsheftet er målt i henhold til en standardisert test oppgitt i EN60745; den kan brukes til å sammenligne et verktøy med et annet og som foreløpig vurdering av utsatthet for vibrasjon når man bruker verktøyet som er nevnt. Bruk av verktøyet til andre bruksområder eller med annet eller dårlig vedlikeholdt tilbehør, kan vesentlig øke hvor utsatt brukeren blir.

Et estimat over tiden som brukeren utsettes for vibrasjon bør også ta med når verktøyet

er slått av, eller når det er på men ikke brukes, fordi dette kan vesentlig redusere nivået for hvor utsatt man er.

Beskytt deg mot effekten av vibrasjon ved å vedlikeholde verktøyet og dets tilbehør, holde hendene varme og ha et godt organisert arbeidsmønster.

### MONTERING

Rotasjonsretningsomskifteren skal settes i midtposisjon før verktøyet justeres (f.eks. vedlikehold, utskifting av bor osv.) samt under transport og ved oppbevaring. Hvis du ved en feil kommer til å slå på verktøyet kan du komme til skade.

### Batterilading

#### Lading av din skrutrekker/drill.

Når laderen er koblet til strøm lyser den røde dioden på skrutrekkeren/drillen. Dioden lyser opp når batteriet lades (8).

Under normale forhold kan skrutrekkeren/drillen lades opp flere hundre ganger.

**VÆR OPPMERKSOM!** Ladingen genererer varme i batteriet.

**Merk:** Batteriet som følger med skrutrekkeren/drillen har kun blitt ladet for test av produktet og må fullades før første gangs bruk.

Les først sikkerhetsinstruksjonene og følg deretter ladeinstruksjonene. Sett i ladepluggen i ladeåpningen på skrutrekkeren/drillen. Deretter setter du laderens støpsel i en stikkontakt.

Sjekk at det ikke er floker på ledningen og at ledningen ikke er bøyd. Laderens transformator og batteriet er designet for å brukes sammen.

Bruk **ALDRI** denne laderen til å lade opp elektrisk verktøy eller batterier fra andre leverandører. Batteriet vil gradvis lades ut over tid, selv om verktøyet ikke brukes.

Litium-ion-batteriet er beskyttet mot fullstendig utlading av elektronisk cellebeskyttelse (ECP). Når batteriet er tomt slås apparatet av med en beskyttende krets: verktøyet roterer ikke lenger.



**ADVARSEL! Ikke fortsett å trykke inn frem/tilbake-bryteren etter at maskinen har slått seg av automatisk. Batteriet kan bli skadet.**



**ADVARSEL! Lad opp batteriet på en ikke-brennbar overflate. Ikke lad batteriet i mer enn åtte timer.** Den røde dioden slukkes når batteriet er fulladet.

Koble fra laderen og oppbevar den på et egnet sted når den ikke er i bruk. Det anbefales ikke å lade batteriet i minstemperatur.

**Før du tar batteriet ut av maskinen, aktiver den trinnløse bryteren (4) til batteriet er helt tomt.** Skru ut skruene i batterirommet og ta ut batterihylsen. Løsne koblingene til batteriet og ta ut batteriet (se illustrasjon A).

### BRUKERINSTRUKSJONER

#### Regulere omdreiningshastigheten

Det er mulig å regulere omdreiningshastigheten fra null til maksimum ved å variere trykket på bryteren.

#### Snu rotasjonsretningen

Du kan snu rotasjonsretningen ved å bruke

velgerbryteren over bryteren. For å låse bryteren setter du velgerbryteren i midtstillingen mellom høyre- og venstrealternativene.

### Justere tiltrekkingsmomentet

Vri momentregulatoren til ønsket posisjon. Innstillingene 1 til 15 brukes for å stramme/løse skruer (jo høyere verdi, jo større tiltrekkingsmoment). Velg drillsymbolet før verktøyet brukes til boring.

### Nøkkelfri chuck

Drillen har en nøkkelfri chuck for enkel stramming og løsning av drill- og skrubits. For å åpne og lukke chucken holder du i den bakre ringen og dreier fronthylsen.



### ADVARSEL: KLEMFARE

Du må ikke holde chuckens fronthylse med én hånd samtidig som du åpner eller lukker kjevene på chucken med drillmotoren.

### Montere drill-/skrubits

Sett drillbryteren i midtstillingen. Juster chucken til åpningen er litt større enn skaffet på drillbitsen du vil bruke. Sett drillbitsen inn i chucken. Stram chucken mot drillen som beskrevet over (Nøkkelfri chuck).

### VEDLIKEHOLD OG RENGJØRING

**Før det kan gjøres arbeid på maskinen (f.eks. vedlikehold, bytting av verktøy, etc.) samt under transport og oppbevaring, still rotasjonsretningsvelgeren i midtposisjon.** Ufrivillig aktivering kan føre til skader.

**For sikker og korrekt bruk, hold alltid maskinen og ventilasjonsåpninger rene.**

### INSTRUKSJONER FOR MILJØVENNLIG AVFALLSDEPONERING

#### Hjelp oss med å beskytte miljøet

Informasjon (til private husholdninger) om miljømessig ansvarlig avskaffelse av elektrisk og elektronisk utstyr i overensstemmelse med WEEE-direktivet.



Dette symbol for elektriske og elektroniske produkter og den medfølgende dokumentasjonen viser, at disse produkter ikke må avskaffes sammen med alminnelig husholdningsavfall. Derimot skal produktene leveres på angitte innsamlingssteder, hvor de uten kostnad blir mottatt til avskaffelse, behandling, gjenvinning eller gjenbruk. I noen land kan produkter også avleveres på salgsstedet, når du kjøper et tilsvarende nytt produkt. Ved at avskaffe dette produktet på riktig måte hjelper du med å spare verdifulle naturressurser og redusere de negative påvirkningene, som uansvarlig avskaffelse og avfallshåndtering kan ha på menneskers helse og miljøet. Kontakt de relevante myndighetene der du bor, for å få opplysninger om det nærmeste WEEE-innsamlingssted. Ikke-godkjent avskaffelse av denne type avfall kan medføre bøter eller andre former for straff i henhold til gjeldende lovgivning.

#### Avskaffelse av batterier

Batteriene må ikke avskaffes sammen med vanlig husholdningsavfall. I overensstemmelse med loven skal skadede eller brukte batterier avleveres på det nærmeste innsamlingssted for batterier eller hos en relevant virksomhet. Manglende overholdelse av disse reglene kan medføre bøter eller annen straff.

**Informasjon om avskaffelse for brukere  
i land utenfor EU.**

Dette symbol gjelder kun i EU. Kontakt de relevante myndigheter eller leverandøren i ditt land for at få opplysninger om korrekt avskaffelse av dette produktet.

## FIXA-akkuporakone/ruuvinväännin, Li-Ion 7,2 V

### TEKNISET TIEDOT

#### Akun jännite / akkutyypppi:

7,2 V:n litium-ioniakku.

#### Kuormittamaton kierrosluku enint.:

0–400 rpm (kierrosta/minuutti).

#### Suurin vääntömomentti: 5 Nm.

#### Ruuvauskärjen yleispidin: 6 mm (1/4").

#### Istukka: 10 mm (3/8") pikaistukka.

#### Laturi: Paikallinen jännite.

#### Latausaika: 3–8 tuntia.

#### Muut tiedot: Säädettävä vääntömomentti.

#### Tärinä (standardien EN 60745-1, EN 60745-2-1 ja EN 60745-2-2 mukainen)

$a_{h,D} = 0,945 \text{ m/s}^2$ ,  $K=1,5 \text{ m/s}^2$ .

$a_{h,v} = 0,564 \text{ m/s}^2$ ,  $K=1,5 \text{ m/s}$ .

#### Ääni (standardin EN 60745-1 mukainen)

Äänenpainetaso  $L_{pa} = 63,6 \text{ dB (A)}$ ,

$K_{pa} = 3 \text{ dB (A)}$

Äänentehotaso  $= 74,6 \text{ dB (A)}$ ,

$K_{wa} = 3 \text{ dB (A)}$

### LAITTEEN OSAT

Alla oleva numerointi viittaa ohjeen kuvasivulla olevaan akkuporakoneen/ruuvinvääntimen kuvaan.

1. Pikaistukka
2. Momenttivalitsin
3. Pyörimissuunnan valitsin
4. Portaaton virtakytkin/nopeusvalitsin
5. Laturi
6. Laturin pistotulppa
7. Laturin pistoke
8. Latauksen merkkivalot
9. Ruuvauskärjen yleispidin

### KÄYTTÖTAVAT

Tämä johdoton akkuporakone/ruuvinväännin on tarkoitettu reikien poraamiseen puuhun, metalliin, muoviin ja keraamisiin materiaaleihin sekä ruuvien ruuvaamiseen.

## YLEISIÄ TURVAOHJEITA

### Sähkötyökalujen yleisiä turvallisuusohjeita



#### VAROITUS!



#### Lue kaikki ohjeet huolellisesti.

Ohjeiden noudattamatta jättäminen saattaa aiheuttaa sähköiskun, tulipalon ja/tai vakavan loukkaantumisen.

### Säilytä kaikki ohjeet myöhempää käyttöä varten.

Seuraavissa ohjeissa käytetään yleisnimitystä "laite" sekä verkkovirralla toimivista että akkukäyttöisistä (johdottomista) laitteista.

### Työskentelyalueen turvallisuus

- Pidä työskentelyalue siistinä ja huolehdi hyvästä valaistuksesta.**  
Sotkuisessa ja hämärässä ympäristössä onnettomuusriski on suurempi.
- Älä käytä laitetta ympäristössä, jossa on räjähdyks- tai syttymisvaara, esimerkiksi helposti syttyvien nesteiden tai kaasun läheisyydessä tai pölyisessä tilassa.** Laitetta käytettäessä syntyy kipinöitä, jotka voivat sytyttää nesteen, kaasun tai pölyn.
- Rauhoita työskentelyalue muilta ihmisiltä, etenkin lapsilta.**  
Keskeytykset tai huomion kiinnittyminen muualle voivat saada sinut menettämään laitteen hallinnan.

### Sähköturvallisuus

- Laitteen pistotulpan on aina sovittava pistorasiaan. Älä koskaan muuntele pistotulppaa millään tavalla. Älä käytä maadoitetun laitteen kanssa muunnoskappaletta,**

**jonka tarkoituksena on muuttaa maadoitettu pistorasia maadoittamattomaksi tai päinvastoin.** Muuntelemattomat pistotulpat ja niiden kanssa yhteensopivat pistorasiat pienentävät sähköiskuvaaraa.

- b. **Laitetta käyttäessäsi vältä koskettamasta maadoitettuja esineitä, esimerkiksi putkia, lämpöpattereita, liettä tai jääkaappia.** Jos kehosi on kosketuksissa maadoitettuun esineeseen, sähköiskuvaara kasvaa.
- c. **Älä altista laitetta sateelle tai muuten märille olosuhteille.** Laitteen sisään päästessään vesi aiheuttaa sähköiskuvaaran.
- d. **Huolehdi, että laitteen johto pysyy kunnossa. Älä koskaan kannaa laitetta johdosta äläkä irrota laitetta pistorasiasta johdosta vetämällä.** Suojaa johto kuumuudelta, öljyltä, teräviltä reunoilta ja liikkuvilta osilta. Vahingoittunut tai sotkeutunut johto kasvattaa sähköiskuvaaraa.
- e. **Jos käytät laitetta ulkotiloissa, varmista, että jatkojohto soveltuu ulkokäyttöön.** Näin vähennät sähköiskuvaaraa.
- f. **Jos laitetta on pakko käyttää kosteissa tiloissa, käytä vikavirtasuojakytkintä.** Näin vähennät sähköiskuvaaraa.

### Henkilökohtainen turvallisuus

- a. **Pysy tarkkaavaisena, keskity siihen, mitä olet tekemässä, ja pidä maalaisjärki mukana käyttäessäsi laitetta. Älä käytä laitetta väsyneenä tai lääkkeiden tai alkoholin vaikutuksen alaisena.** Tarkkaavaisuuden hetkellinenkin herpaantuminen laitetta käytettäessä voi johtaa vakavaan onnettomuuteen.

- b. **Käytä henkilönsuojaimia. Käytä aina suojalaseja.** Asianmukaisesti käytettyinä henkilönsuojaimet kuten hengityssuojain, luistamattomat turvakengät, kypärä ja kuulosuojaimet vähentävät loukkaantumisriskiä.
- c. **Huolehdi, ettei laite pääse käynnistymään vahingossa. Varmista, että laitteen virta on kytketty pois päältä ennen kuin laitat pistotulpan pistorasiaan ja/tai laitat akun paikoilleen tai kun kannat laitetta.** Älä kannaa laitetta siten, että sormesi on virtakytkimellä, äläkä laita pistotulppaa pistorasiaan, jos virtakytkin on painettu alas.
- d. **Ennen laitteen käynnistämistä varmista, ettei laitteessa ole kiinni jokoavainta, ruuvimeisseliä tai muuta irrallista työkalua.** Laitteen pyöriessä osassa kiinni oleva työkalu voi aiheuttaa onnettomuuden.
- e. **Älä kurkottele käyttäessäsi laitetta.** Pidä molemmat jalkasi maassa ja huolehdi hyvästä tasapainosta koko ajan. Näin pystyt hallitsemaan laitetta paremmin, jos jotakin odottamatonta tapahtuu.
- f. **Pukeudu asianmukaisesti. Vältä löysien vaatteiden ja korujen käyttöä.** Pidä hiuksesi, vaatteesi ja suojakäsineesi kaukana laitteen liikkuvista osista, jotta ne eivät takerru kiinni mihinkään.
- g. **Jos laitteessa on toiminto tai sen mukana tulee lisävaruste, joka kerää porattaessa syntyvän pölyn talteen, käytä toimintoa/lisävarustetta.** Näin voit pienentää pölyn aiheuttamien riskien määrää.

### Laitteen käyttö ja huolto

- a. **Älä ylikuormita laitetta. Valitse työkalu kulloisenkin työtehtävän mukaan, niin työ sujuu helpommin ja turvallisemmin.**



- b. **Älä käytä laitetta, jos sitä ei voi käynnistää ja sammuttaa virtakytkimestä.** Laitte, jonka virtakytkin ei toimi normaalisti, on vaarallinen ja täytyy korjata.
- c. **Irrota aina pistotulppa pistorasiasta ja/tai laitteen akku säilytyksen ajaksi ja kun aiot säätää laitetta tai vaihtaa siihen työkalun.** Kun toimit näin, riski, että laite käynnistyy odottamatta, pienenee.
- d. **Säilytä laite lasten ulottumattomissa äläkä anna laitetta kokemattoman tai näihin ohjeisiin tutustumattoman henkilön käyttöön.** Osaamattomissa käsissä laite voi olla vaarallinen.
- e. **Pidä laitteesta hyvää huolta. Tarkasta laitteen kunto säännöllisesti ja jos huomaat sen vahingoittuneen, korjauta se ennen seuraavaa käyttökertaa.** Huonokuntoinen laite voi aiheuttaa onnettomuuden.
- f. **Pidä terät puhtaina ja terävinä.** Asianmukaisesti hoidetut laitteet, joiden terät ovat terävät, toimivat tehokkaimmin ja ovat helpoimpia kontrolloida.
- g. **Huolla laitetta, sen teriä ja muita osia näiden ohjeiden mukaisesti ja laitteen tyyppi huomioiden. Valitse laite työn ja olosuhteiden mukaan.** Laitteen käyttö muuhun kuin mihin se on tarkoitettu voi aiheuttaa vaaratilanteen.
- h. **Työskennellessäsi laitteella paikoissa, joissa ruuvattavat ruuvit/poranterä saattavat vahingoittaa piilossa olevia johtoja tai laitteen omaa johtoa, pidä kiinni laitteen eristetyistä kädensijoista.** Kosketus jännitteeseen johtoon voi tehdä laitteen metalliset osat jännitteisiksi ja aiheuttaa laitteen käyttäjälle sähköiskun.

### **Akkukäyttöisen laitteen käyttö ja huolto**

- a. **Lataa akku vain valmistajan suosittelemalla laturilla.** Vääränlainen laturi voi aiheuttaa tulipalovaaran.
- b. **Käytä laitteessa ainoastaan kyseiseen laitteeseen tarkoitettua akkua.** Vääränlaisen akun käyttö saattaa aiheuttaa loukkaantumis- ja tulipalovaaran.
- c. **Silloin kun akku ei ole käytössä, säilytä se kaukana metalliesineistä, kuten paperiliittimistä, kolikoista, avaimista, neuloista ja ruuveista, jotka saattavat saada akun navat oikosulkuun.** Oikosulku voi aiheuttaa palovammoja tai tulipalovaaran.
- d. **Jos akkuun kohdistuu kova isku, siitä saattaa vuotaa nestettä. Älä koske akkunesteeseen paljain käsin. Jos akkunestettä joutuu iholle, huuhtele runsaalla vedellä. Jos akkunestettä joutuu silmiin, hakeudu lääkäriin.** Akkuneste voi aiheuttaa ihoärsytystä tai palovammoja.

### **Huolto**

- a. **Anna valtuutetun huoltoliikkeen korjata laite valmistajan alkuperäisvaraosilla.** Näin varmistat, että voit jatkossakin käyttää laitetta turvallisesti.

### **LAITEKOHTAISTA TURVALLISUUSTIETOA**

#### **Poriin ja ruuvinvääntimiin liittyviä turvaohjeita**

**Käytä asianmukaista rakenneilmaisinta tai pyydä ammattilaiselta apua työskentelyalueella mahdollisesti kulkevien kaapelointien ja/tai putkien määrittämiseksi.** Sähköjohtoon poraaminen voi aiheuttaa tulipalon tai sähköiskun vaaran. Kaasuputkeen poraaminen voi aiheuttaa räjähdyksen. Vesiputken lävistäminen

aiheuttaa vahinkoja kiinteistölle ja saattaa aiheuttaa sähköiskuvaaran.

**Sammuta laite välittömästi, jos ruuvauskärki/terä juuttuu. Varaudu voimakkaaseen vastavääntöön, joka voi aiheuttaa takaiskun.** Ruuvauskärki/terä jumittuu, kun:

- laite ylikuormittuu
- tai kiilautuu kiinni työkappaleeseen.

### **Pidä laitteesta tukevasti kiinni.**

Ruueja kiristettäessä ja löysättäessä laite voi aiheuttaa hetkellisesti suuremman vastaväännön.

### **Varmista työskentelyalueen turvallisuus.**

Työstettävä kappale kannattaa kiinnittää puristimilla tai ruuvipenkkiin, jolloin työskentely on turvallisempaa kuin jos kappaletta pitää kädessä.

**Pidä työskentelyalue puhtaana.** Eri materiaalien sekoittuminen saattaa olla erityisen vaarallista. Kevytmetallipöly saattaa syttyä palamaan tai räjähtää.

**Odota, että laite on pysähtynyt, ennen kuin lasket sen kädestäsi.** Laitteessa kiinni oleva terä/kärki saattaa jumittua ja aiheuttaa laitteen hallinnan menetyksen.

### **Estä laitteen tahaton käynnistyminen.**

Varmista ennen akun laittamista paikoilleen, että virtakytkin ei ole painettuna pohjaan. Laitteen kantaminen sormi virtakytkimellä tai akun laittaminen paikoilleen laitteeseen, jonka virtakytkin on pohjassa, saattaa aiheuttaa onnettomuusvaaran.

### **Akkulatureihin liittyviä turvallisuusohjeita**



Vain sisäkäyttöön.



Kaksoiseristetty.

**Säilytä laturi suojaissa sateelta ja kosteudelta.** Veden pääseminen laturin sisään lisää sähköiskun vaaraa.

**Lataa laturilla ainoastaan sillä ladattavaksi tarkoitettuja akkuja.** Laturi soveltuu ainoastaan laitteen mukana tulevan akun lataamiseen. Muunlaisten akkujen lataaminen laturissa voi aiheuttaa tulipalo- ja räjähdysvaaran.

**Huolehdi, että laturi on puhdas.** Lika saattaa aiheuttaa sähköiskuvaaran.

**Tarkista aina ennen laturin käyttöä, että laturi, johto ja liitin ovat kunnossa. Jos havaitset vaurioita, älä käytä laturia. Älä avaa laturia. Laturin saa korjata ainoastaan ammattitaitoinen henkilö.** Vaurioitunut laturi, johto tai liitin lisää sähköiskun vaaraa.

**Älä sijoita laturia helposti syttyvälle alustalle (esim. paperien tai tekstiilien päälle) tai helposti syttyvään paikkaan.** Laturi kuumenee latauksen aikana, mikä voi aiheuttaa tulipalovaaran.

**Lapsia tulee valvoa, jotta he eivät pääse leikkimään laturilla.**

## **TIETOA TÄRINÄTASOSTA**

### **Tärinätaso**

Tässä ohjeessa ilmoitettu laitteen tärinätaso on mitattu EN 60745 -standardin mukaisella mittausmenetelmällä. Lukuarvoa voidaan käyttää laitteiden keskinäiseen vertailuun, ja sen avulla voidaan ennakkoon arvioida tärinälle altistumisen määrää silloin, kun laitetta käytetään ohjeissa mainittuihin käyttötarkoituksiin. Laitteen käyttäminen

muihin kuin ohjeissa mainittuihin tarkoituksiin tai huonokuntoisten tai muiden kuin alkuperäisten lisävarusteiden kanssa saattaa kasvattaa tärinän määrää huomattavasti.

Värähtelyrasituksen tarkkaa arviointia varten määrätyn työaikajakson aikana tulisi ottaa huomioon myös se aika, jolloin laite on sammutettuna tai käy, mutta sitä ei käytetä. Tämä voi selvästi pienentää koko työaikajakson värähtelyrasitusta.

Suojaudu tärinän aiheuttamilta vaikutuksilta huoltamalla laite ja sen lisävarusteet säännöllisesti, pitämällä kätesi lämpiminä ja suunnittelemalla työsi huolellisesti etukäteen.

## KÄSITTELEMINEN

**Laitteen tahaton käynnistyminen saattaa aiheuttaa loukkaantumisvaaran. Sen vuoksi pyörimissuunnan valitsin tulee lukita keskiasentoon ennen laitteen käsittelemistä (esim. huollettaessa ja ruuvauskärkeä/poranterää vaihdettaessa) sekä laitetta kuljetettaessa ja säilytettäessä.**

## Akun lataaminen

### Ruuvinvääntimen/poran akun lataaminen

Kun laturi on kytketty verkkovirtaan, laitteeseen syttyy punainen merkkivalo. Punainen merkkivalo palaa koko latauksen ajan (8).

Normaalissa käytössä oleva akku kestää satoja latauskertoja.

**HUOM!** Akku lämpenee latauksen aikana.

Huomioi, että akkuporakoneen mukana tuleva akku on testiladattu tehtaalla ja se tulee ladata täyteen ennen käyttöönottoa.

Lue ensin turvallisuusohjeet ja noudata ladatessasi latausohjeita. Laita muuntajan pistotulppa laitteen pistokkeeseen. Kytke sen jälkeen laturin muuntaja verkkovirtaan.

Huolehdi, ettei johtoon tule solmuja tai taitteita.

Laturin muuntaja ja akku on suunniteltu käytettäväksi yhdessä.

Älä **KOSKAAN** lataa tällä laturilla johdottomia työkaluja tai muiden valmistajien akkuja. Akku menettää lataustaan asteittain myös silloin, kun työkalua ei käytetä.

Litium-ioniakku on suojattu syväpurkautumiselta "Electronic Cell Protection (ECP)"-järjestelmällä. Kun akku on tyhjä, laitteessa kytkeytyy päälle suojapiiri; tällöin työkalu pysähtyy.



**VAROITUS!** Älä paina virtakytkintä enää sen jälkeen, kun laite on sammunut automaattisesti, jotta akku ei vahingoittuisi.



**VAROITUS!** Lataa akku syttymättömällä alustalla. Älä lataa akkua kerrallaan yli 8 tuntia. Latauksen punainen merkkivalo sammuu, kun akku on latautunut täyteen.

Irrota laturin johto ja säilytä laturia asianmukaisesti. Akkua ei suositella ladattavaksi tilassa, jossa on pakkasta.

Ennen kuin irrotat akun laitteesta, paina laitteen virtakytkintä (4) kunnes akku on täysin tyhjä. Ruuvaa laitteen kotelossa olevat ruuvit auki ja irrota kotelon puolet toisistaan. Irrota akun liitännät ja irrota akku (katso kuva A).

## KÄYTTÖOHJE

### Kierrosnopeuden säätäminen

Kierroslukualueiden nopeuksia voidaan säätää nollasta enimmäisnopeuteen painamalla virtakytkintä/nopeusvalitsinta tietyllä voimakkuudella.

### Pyörimissuunnan vaihtaminen

Poran pyörimissuuntaa voidaan vaihtaa virtakytkimen/nopeusvalitsimen vieressä olevalla pyörimissuunnan valitsimella. Pyörimissuunnan valitsin voidaan lukita painamalla valitsin keskelle, oikean ja vasemman pyörimissuunnan väliin.

### Kiristysmomentin säätö

Käännä momenttivalitsin haluttuun asentoon. Arvot 1–15 on tarkoitettu ruuvien ruuvaamiseen (mitä suurempi arvo, sitä suurempi kiristysmomentti). Valitse porasymboli kun haluat porata.

### Pikaistukka

Tässä akkuporakoneessa/ruuvinvääntimessä on pikaistukka, jonka ansiosta poranterät/ruuvauskärjet on helppo laittaa paikoilleen ja irrottaa.

Istukka avautuu ja sulkeutuu, kun pidät kiinni istukan takaosasta ja pyörität sen etuosaa.



### **VAROITUS: TAKERTUMISRISKI**

Älä avaa istukkaa pitämällä kiinni istukan etuosasta ja pyörittämällä laitteen moottoria virtakytkimestä/nopeusvalitsimesta.

### Terän kiinnittäminen istukkaan

Aseta akkuporakoneen/ruuvinvääntimen nopeusvalitsin keskiasentoon.

Säädä istukkaa kunnes sen aukko on hieman suurempi kuin valitsemasi poranterä.

Aseta poranterä istukkaan. Kiristä istukka yllä kuvatulla tavalla (pikaistukka).

## HUOLTO JA PUHDISTUS

**Pyörimissuunnan valitsin tulee lukita keskiasentoon ennen laitteen käsittelemistä (esim. huollettaessa ja ruuvauskärkeä/poranterää vaihdettaessa) sekä laitetta kuljetettaessa ja säilytettäessä. Laitteen tahaton käynnistyminen saattaa aiheuttaa loukkaantumisvaaran.**

**Jotta laite toimisi turvallisesti ja asianmukaisesti, laite ja sen tuuletusaukot on pidettävä puhtaina.**

## LAITTEEN HÄVITTÄMINEN

### Auta suojelemaan ympäristöä!

Tietoa kotitalouksille sähkö- ja elektroniikkaromun ympäristöystävällisestä hävittämisestä WEEE-asetuksen (Waste Electrical and Electronic Equipment) mukaan.



Tämä symboli sähkö- tai elektroniikkalaitteessa tai sen mukana tulevissa ohjeissa kertoo, että kyseistä laitetta ei voi hävittää talousjätteen seassa, vaan kyseinen laite on toimitettava sähkö- ja elektroniikkaromulle varattuun, maksuttomaan keräyspisteeseen. Keräyspisteestä laitteet toimitetaan edelleen asianmukaisesti poisheitettäväksi, käsiteltäväksi, uusiokäyttöön tai kierrätykseen. Joissakin maissa laitteen voi myös palauttaa myyntipaikkaan uutta vastaavaa laitetta ostettaessa. Hävittämällä tämän laitteen asianmukaisesti autat

säästämään arvokkaita luonnonvaroja ja eliminoimaan negatiivisia vaikutuksia, joita laite voi aiheuttaa ympäristölle ja terveydelle, mikäli sitä ei hävitetä asianmukaisesti. Ota yhteyttä asianomaisiin viranomaisiin selvittääksesi lähimmän sähkö- ja elektroniikkaromun keräyspisteen sijainnin. Tämän laitteen epäasianmukaisesta hävittämisestä voi lain mukaan seurata sakko- tai muu rangaistus.

### **Paristojen hävittäminen**

Paristoja ei saa heittää talousjätteeseen. Lain mukaan vaurioituneet ja käytetyt paristot on toimitettava lähimpään paristojen keräyspisteeseen tai paristoja käsittelevään yritykseen. Lain rikkomisesta voi seurata sakko- tai muu rangaistus.

### **Tietoa laitteen hävittämisestä EU:n ulkopuolella asuville**



Oheinen symboli on voimassa vain Euroopan unionin alueella. Ota yhteyttä oman maasi asianomaiseen viranomaiseen tai laitteen myyjään saadaksesi tietoa laitteen asianmukaisesta hävittämisestä.

**FIXA skruvdragare/bormaskin, li-jon 7,2V****TEKNISKA DATA****Batterispänning/batterityp:**

7,2 V litium-jon batteri.

**Max varvtal obelastad:** 0-400 v/min.**Max. vridmoment:** 5 Nm.**Hållare för bits:** 6 mm (1/4")**Chuck:** 10 mm (3/8"), snabbchuck**Laddarens drivspänning:**

Lokal nätspänning

**Laddningstid:** 3-8 tim.**Övrig information:** Justerbart momentreglage.**Vibration (i enlighet med EN 60745-1, EN 60745-2-1, EN 60745-2-2)** $a_{h,D} = 0.945 \text{ m/s}^2$ ,  $K = 1.5 \text{ m/s}^2$ . $a_{h,v} = 0.564 \text{ m/s}^2$ ,  $K = 1.5 \text{ m/s}$ .**Ljud (i enlighet med EN 60745-1)**Ljudtrycksnivå  $L_{pa} = 63.6 \text{ dB (A)}$ , $K_{pa} = 3 \text{ dB (A)}$ Ljudeffektsnivå  $L_{wa} = 74.6 \text{ dB (A)}$ , $K_{wa} = 3 \text{ dB (A)}$ **LISTA PÅ KOMPONENTER**

Numreringen av komponenterna hänvisar till illustrationen av skruvdragaren/borren på grafiksidan.

1. Snabbchuck
2. Momentreglage
3. Väljare för rotation höger/vänster
4. Steglös hastighetsväljare/Strömbrytare
5. Batteriladdarens transformator
6. Batteriladdarens stickpropp
7. Batteriladdarens uttag
8. Laddningsindikator
9. Hållare för mejselspets

**ANVÄNDNINGSOMRÅDE**

Din sladdlösa bormaskin/skruvdragare är avsedd för borrhing i trä, metall, plast, keramiska material och skruvdragning.

**ALLMÄNNA SÄKERHETSFÖRESKRIFTER****Allmänna säkerhetsföreskrifter för elverktyg****VARNING!**

**Läs alla säkerhetsvarningar och instruktioner.** Om inte samtliga varningar och instruktioner följs kan resultatet bli elstötar, eldsvådor och/eller allvarlig skador.

**Spara alla varningar och instruktioner för framtida bruk.**

Termen "elverktyg" i samtliga varningar nedan syftar på nätdrivna elverktyg (med nätsladd) och batteridrivna elverktyg (sladdlösa).

**Säkerhet i arbetsområdet**

- Håll arbetsområdet rent och väl upplyst.** Stökiga och mörka arbetsområden kan leda till olyckor.
- Använd inte elverktyg i explosionsfarlig omgivning med brännbara vätskor, gaser eller damm.** Elverktygen alstrar gnistor som kan antända dammet eller gaserna.
- Håll barn och andra obehöriga borta då du använder ett elverktyg.** Störningar kan leda till att du tappar kontrollen över verktyget.

**Elektrisk säkerhet**

- Elverktygets kontakt måste passa vägguttaget. Ändra aldrig kontakten på något sätt. Använd inte adapterkontakter med jordade elverktyg.** Oförändrade kontakter och passande vägguttag minskar risken för elstötar.
- Undvik kroppskontakt med jordade ytor som t.ex. rör, värmeelement, spisar och kylskåp.** Det finns en större

- risk för elstötar om din kropp är jordad.
- Skydda elverkytet mot regn och väta.** Tränger vatten in i ett elverktyg ökar risken för elstötar.
  - Använd nätsladden på ett korrekt sätt. Använd den inte för att bära eller hänga upp elverktyget eller för att dra kontakten ur vägguttaget. Håll nätsladden på avstånd från värme, olja, skarpa kanter och rörliga maskindelar.** Skadade eller tilltrasslade ledningar ökar risken för elstötar.
  - När du arbetar med ett elverktyg utomhus använd endast förlängningssladdar som är avsedda för utomhusbruk.** Om en lämplig förlängningssladd för utomhusbruk används minskar risken för elstötar.
  - Om du måste använda elverktyget i en fuktig miljö, använd ett felströmsskydd/jordfelsbrytare.** Felströmsskyddet/jordfelsbrytaren minskar risken för elstötar.

### Personlig säkerhet

- Var uppmärksam, kontrollera vad du gör och använd elverktyg med förnuft.** Använd inte ett elverktyg när du är trött eller om du är påverkad av droger, alkohol eller mediciner. Ett ögonblick av uppmärksamhet kan leda till allvarliga kroppsskador när du använder elverktyg.
- Använd personlig skyddsutrustning. Bär alltid skyddsglasögon.** Lämplig skyddsutrustning som t.ex. dammfiltermask, halkfria säkerhetsskor, skyddshjälm och hörselskydd minskar risken för kroppsskada.
- Undvik oavsiktlig ingångsättning. Kontrollera att elverktyget är frånkopplat innan du ansluter kontakten till vägguttaget och/eller ansluter/tar bort batteriet, tar upp eller bär elverktyget.** Att bära

- elverktyget med fingret på strömställaren eller ansluta påkopplat elverktyg till nätströmmen kan leda till olyckor.
- Ta bort alla inställningsverktyg och skruvnycklar innan du kopplar på elverktyget.** Ett verktyg eller en nyckel som lämnas kvar i en roterande komponent kan medföra kroppsskada.
  - Undvik onormala kroppsställningar. Se till att du alltid står stadigt med god balans.** Det gör att du lättare kan kontrollera elverktyget i oväntade situationer.
  - Bär lämpliga arbetskläder. Bär inte löst hängande kläder eller smycken. Håll håret, kläderna och handskarna på avstånd från rörliga delar.** Löst hängande kläder, långt hår och smycken kan fastna i roterande delar.
  - Om elverktyget används med utrustning för dammsugning och dammuppsamling, se till att den monteras och används korrekt.** Användning av denna utrustning minskar de risker damm orsakar.

### Elverktyg - användning och skötsel

- Överbelasta inte elverktyget. Använd korrekt elverktyg för den aktuella arbetsuppgiften.** Med rätt elverktyg kan du arbeta bättre och säkrare inom angivet slagtal.
- Använd inte elverktyget om inte På/Av-knappen fungerar.** Elverktyg som inte kan styras med knappen är farligt och måste repareras.
- Dra kontakten ur vägguttaget och/eller ta bort batteriet innan inställningar utförs, tillbehörskomponenter byts ut eller när elverktyget ska förvaras.** Denna skyddsåtgärd minskar risken för att elverktyget sätts på av misstag.
- Förvara elverktyg oåtkomliga för barn. Tillåt inte personer som inte är förtrogna med elverktyget eller inte**

**läst denna anvisning använda det.**

Elverktygen är farliga om de används av oerfarna personer.

- e. **Underhåll elverktyget omsorgsfullt. Kontrollera att rörliga komponenter inte är obalanserade eller kärvar. Se till att komponenter inte skadats eller andra förhållanden uppstår som kan påverka elverktygets funktioner negativt. Reparera eventuella skadade delar innan elverktyget tas i bruk.** Många olyckor orsakas av dåligt skötta elverktyg.
- f. **Håll skärverktygen skarpa och rena.** Omsorgsfullt skötta skärverktyg med skarpa eggar löper mindre risk att kärva och är enklare att styra.
- g. **Använd elverktyget, tillbehör, insatsverktyg, etc., enligt dessa anvisningar och på avsett vis. Ta hänsyn till arbetsförhållandena och det arbete som ska utföras.** Om elverktyget används på ett sätt som det inte är avsett för kan fara uppstå.
- h. **Håll elverktyget i det isolerade handtaget då du utför arbete där fästelementet riskerar att komma i kontakt med dolda ledningar eller elverktygets egen kabel.** Om fästelementet kommer i kontakt med en strömförande ledning kan metalldelarna på elverktyget bli strömförande och ge användaren en elstöt.

### **Batteriverktyg - användning och skötsel**

- a. **Ladda batterierna enbart med den laddare som tillverkaren anvisat.** En laddare som är avsedd för en typ av batterier kan orsaka brandrisk om den används med andra batterier.
- b. **Använd elverktyg enbart med särskilt avsedda batterier.** Användning av andra batterier kan orsaka skade- och brandrisk.
- c. **När batterierna inte används håll**

**dem borta från andra metallföremål, som gem, mynt, nycklar, spikar, skruvar och andra små metallföremål som kan skapa kontakt mellan två elektriska poler.** Kortslutning av batteripolerna kan orsaka brännskador och eldsvådor.

- d. **Om batteriet används på fel sätt finns risk för att vätska rinner ur batteriet. Undvik kontakt med vätskan. Vid oavsiktlig kontakt spola med vatten. Om vätska kommer i kontakt med ögonen uppsök dessutom läkare.** Batterivätskan kan medföra hudirritation och brännskada.

### **Service**

- a. **Låt endast kvalificerad fackpersonal reparera elverktyget och endast med originalreservdelar.** Detta garanterar att elverktygets säkerhet upprätthålls.

### **MASKINSPECIFIKA SÄKERHETSANVISNINGAR**

#### **Säkerhetsvarningar för borr**

**Använd lämpliga detektorer för lokalisering av dolda försörjningsledningar eller rådfråga ditt lokala distributionsföretag.** Kontakt med elledningar kan förorsaka brand och elstötar. Skador på en gasledning kan leda till explosion. Borrning i vattenledning riskerar att orsaka skador på fastigheten och ge en elstöt.

Stäng genast av elverktyget om insatsverktyget blockeras. Var förberedd på höga reaktionsmoment som kan orsaka bakslag. Insatsverktyget blockeras om

- elverktyget överbelastas
- eller snedvrids i arbetsstycket.



**Håll verktyget med ett fast grepp.**

Kortvariga höga reaktionsmoment kan uppstå när du drar åt eller lossar skruvar.

**Säkra arbetsstycket.** Ett

arbetsstycke som är fastspänt i en uppspanningsanordning eller ett skruvstöd hålls säkrare än med handen.

**Håll arbetsplatsen ren.**

Materialblandningar är särskilt farliga. Lättmetalldamm kan brinna och explodera.

**Vänta tills elverktyget stannat helt innan du lägger ner det.** Insatsverktyget kan haka upp sig och leda till att du förlorar kontrollen över elverktyget.

**Undvik oavsiktlig igångsättning.**

Kontrollera att elverktyget är fränkopplat innan du sätter i batteriet. Att bära elverktyget med fingret på strömbrytaren eller att sätta i batteriet i elverktyg kan leda till olyckor.

**Säkerhetsanvisning för laddare**

Endast för inomhusbruk.



Dubbelisolerad.

**Skydda laddaren mot regn och väta.**

Tränger vatten in i laddaren ökar risken för en elektrisk stöt.

**Ladda inte andra batterier.**

Batteriladdaren ska enbart användas för att ladda de batterier som följde med ditt elverktyg. I annat fall finns risk för eldsvåda och explosion.

**Håll batteriladdaren ren.** Nedsmutsning kan leda till risk för elstötar.

**Kontrollera laddare, kabel och stickkontakt före varje användning.**

**Använd inte laddaren om den är skadad. Du får själv aldrig öppna laddaren. Reparationer ska enbart utföras av kvalificerad fackman.**

Skadade laddare, ledningar eller stickkontakter ökar risken för elektrisk stöt.

**Använd inte laddaren på lättantändligt underlag (som papper, textilier, etc.) eller i en lättantändlig omgivning.**

Upphettningen av laddaren vid laddning upp kan medföra brandrisk.

**Barn ska hållas under uppsikt så att de inte leker med laddaren.**

**VIBRATIONSinFORMATION****Vibrationsnivå**

Vibrationsemissionsvärdet som står i den här instruktionsboken har uppmätts enligt ett standardiserat test i enlighet med EN 60745; detta värde kan användas för att jämföra vibrationen hos olika verktyg och som en ungefärlig uppskattning av hur stor vibration användaren utsätts för när verktyget används enligt det avsedda syftet. Om verktyget används på ett annat än det avsedda syftet eller med fel eller dåligt underhållna tillbehör kan detta drastiskt öka vibrationsnivån.

När verktyget stängs av eller är på men inte används, kan detta avsevärt minska vibrationsnivån.

Skydda dig mot vibration genom att underhålla verktyget och dess tillbehör, hålla händerna varma och styra upp ditt arbetssätt.

## MONTAGE

**Innan åtgärder utförs på elverktyget (t.ex. underhåll och verktygsbyte), liksom då det transport eras och lagras, ställ riktningssomkopplaren i mittläge.**

Ofrivillig aktivering kan leda till skador.

### Batteriets laddning

#### Ladda din skruvdragare/borrmaskin

När laddaren kopplas till eluttaget tänds den röda dioden på skruvdragaren/borrmaskinen. Dioden lyser medan batteriet laddas (8).

Vid normal användning kan skruvdragaren/borrmaskinen laddas flera hundra gånger.

**WARNING!** Laddningsprocessen generar värme i batteriet.

**Observera:** Batteriet som följer med skruvdragaren/borrmaskinen har enbart laddats i testsyfte och måste laddas fullt innan användning.

Läs först säkerhetsinstruktionerna och följ sedan laddningsanvisningarna. Sätt in transformatorns kontakt i skruvdragarens/borrmaskinens uttag. Anslut sedan laddarens transformator till eluttaget. Se till att det inte finns några knutar eller skarpa böjar i kabeln.

Laddarens transformator och batteriet är gjorda för att användas tillsammans. Använd **ALDRIG** denna laddare för att ladda sladdlösa verktyg eller batterier från andra tillverkare. Batteriet kommer att gradvis förlora sin laddning över tid även om verktyget inte används.

Litiumjonbatteriet är skyddat mot djupurladdning genom "Electronic Cell Protection" (ECP). När batteriet är

urladdat stängs elverktyget av genom en skyddskoppling. Insatsverktyget roterar inte längre.



**WARNING! Fortsätt inte att trycka på På/Av-knappen efter att maskinen har stängts av automatiskt. Batteriet kan skadas.**



**WARNING! Ladda batteriet på ett icke-brännbart material. Ladda inte batteriet längre än åtta timmar.** Den röda dioden slocknar när batteriet är fulladdat.

Koppla bort kabeln och förvara transformatorn på en lämplig plats när den inte används.

Det är inte lämpligt att ladda batteriet i köldgrader.

**När batteriet ska tas ut ur maskinen, tryck på strömbrytaren (4) tills batteriet har laddats ur helt.** Skruva loss skruvarna i hylsan och ta bort hylsskyddet. Koppla bort kopplingarna på batteriet och ta ur batteriet (se illustration A).

## ANVÄNDARINSTRUKTIONER

### Reglering av varvtal

Hastigheten för båda varvtalen kan regleras från noll till maximum genom att trycka olika hårt på strömbrytaren. Det ger möjlighet att välja den bästa hastigheten för den aktuella arbetsuppgiften. Använd den lägre hastigheten vid skruvdragning.

### Ändring av rotationsriktningen

Rotationsriktningen kan ändras med hjälp av väljaren för rotation höger/vänster ovanför strömbrytaren.

Strömbrytaren kan spärras genom att skjuta väljaren för rotation höger/vänster till mittläget mellan riktningarna höger och vänster.

### Justering av åtdragningsmoment

Vrid momentreglaget till önskat läge. Läge 1-15 används för skruvdragning (desto högre värde desto större åtdragningsmoment). Borr-symbolen används vid borrar.

### Snabbchuck

Din bormaskin har en snabbchuck så att du enkelt kan spärra fast eller lossa borrar/mejlselspetsar. Du öppnar och stänger chucken genom att hålla fast den bakre hylsan och rotera den främre.



### VARNING: KLÄMRISK

Håll inte den främre hylsan med ena handen samtidigt som du öppnar eller stänger chuckens mynning med hjälp av bormaskinens/skruvdragarens motor.

### Installation av borrar/bits

Sätt bormaskinens/skruvdragarens avtryckare i mittpositionen. Öppna eller stäng chucken tills öppningen blir något större än borret som du ska använda. För in borren i chucken. Dra åt chucken mot borren enligt anvisningen ovan (Snabbchuck).

### UNDERHÅLL OCH RENGÖRING

**Innan åtgärder utförs på elverktyget (t.ex. underhåll och verktygsbyte), liksom då det transport eras och lagras, ställ riktningsskopplaren i mittläge.** Ofrivillig aktivering kan leda till skador.

**För säker och korrekt användning håll alltid maskinen och ventilationsöppningar rena.**

### INSTRUKTIONER FÖR MILJÖMÄSSIG AVFALLSHANtering

#### Hjälp till att skydda miljön

Information (för privata hushåll) om miljömässigt korrekt avfallshantering av elektrisk och elektronisk utrustning enligt WEEE-direktiven (Waste Electrical and Electronic Equipment).



Den här symbolen på elektrisk och elektronisk utrustning och medföljande dokumentation innebär att dessa produkter inte får slängas med de vanliga hushållssoporna. Produkterna måste istället tas till en speciellt inrättad insamlingsplats där de ska tas emot konstadsfritt för lämplig hantering och återanvändning. I vissa länder kan produkterna också återlämnas på försäljningsstället vid köp av motsvarande ny produkt. Genom korrekt avfallshantering av denna produkt bidrar du till att rädda värdefulla naturresurser och undvika de negativa effekter som oansvarig avfallshantering kan ha på människors hälsa och på miljön. Var vänlig och kontakta de relevanta myndigheterna där du bor för att få information om den närmaste insamlingsplatsen för WEEE-märkta produkter. Att slänga den här typen av produkter på ett otillåtet sätt kan leda till böter eller annat straff.

#### Hantering av skadade eller förbrukade batterier

Släng inte kasserade batterier tillsammans med de vanliga hushållssoporna. Enligt lag måste skadade och förbrukade batterier tas till en insamlingsplats för batterier eller till

ett företag som tar hand om batterierna.  
Den som inte följer dessa regler kan dömas  
till böter eller annat straff.

**Information om avfallshantering för  
användare utanför Europeiska Unionen**



Den här symbolen gäller endast i Europeiska  
Unionen. Var vänlig och kontakta relevant  
myndighet eller återförsäljare för  
information om korrekt avfallshantering för  
denna produkt.

**FIXA kruvikeeraja/trell, Li-Ion 7,2V****TEHNILISED ANDMED**

**Pinge/aku tüüp:** 7,2 V liitium-ioon aku.

**Max. pööret minutis (tühikäigul):** 0-400 pööret minutis.

**Max. pöördemoment:** 5 Nm.

Hoidik kruvikeeraja otsikutele: 6 mm (1/4 ").

**Padrun:** 10 mm (3/8 "), võtmeta padrun, kiirkinnituspadrun.

**Laadija:** sobib kohalikule vooluvõrgu pingele.

**Laadimisaeg:** 3-8 tundi.

**Muu teave:** Reguleeritav pöördemoment.

**Vibratsioon (vastavalt standardile EN 60745-1, EN 60745-2-1, EN 60745-2-2)**

$a_h, D = 0,945 \text{ m/s}^2, K = 1,5 \text{ m/s}^2$

$a_h = 0,564 \text{ m/s}^2, K = 1,5 \text{ m/s}$

**Müra (vastavalt EN 60745-1)**

Helirõhutase  $L_pA = 63,6 \text{ dB (A)}$ ,  $kPa = 3 \text{ dB (A)}$

Müratase  $L_{wa} = 74,6 \text{ dB (A)}$ ,  $K_{wa} = 3 \text{ dB (A)}$

**OMADUSTE LOETELU**

Kruvikeeraja/trelli osade numeratsioon – viide illustatsioonile.

1. Kiirkinnituspadrun
2. Pöördemomendi regulaator
3. Valija: paremale/vasakule pööramine
4. Reguleeritav kiirusekontroll/päästik
5. Laadija
6. Laadija pistik
7. Laadija pesa
8. Laadimise indikaator
9. Hoidik kruvikeeraja otsikule

**KASUTUSALA**

Seda juhtmeta trelli/puuri võite kasutada puidu, metalli, plasti ja keraamiliste materjalide puurimiseks ja kruvide lahti keeramiseks või pingutamiseks.

**ÜLDISED OHUTUSJUHENDID****Elektriliste tööriistade üldised ohutusjuhendid****HOIATUS!**

**Lugege läbi kõik ohutusjuhendeid ja kõik juhiseid.** Hoiatuste ja juhendite mitte järgimine võib põhjustada elektrilöögi saamise ohu, tulekahju või raskeid vigastusi.

**Hoidke juhendid ja hoiatused alles.**

Juhistes/hoiatusest esinev termin "elektriline tööriist" käib kõikide allpool loetletud võrgutoitega (toitejuhtmega) elektriliste tööriistade ja akutoitega (juhtmeta) elektriliste tööriistade kohta.

**Töökoha ohutus**

- Hoidke töökoht puhas ja hästi valgustatud.** Segadus ja valgustamata tööpiirkonnad võivad põhjustada õnnetusi.
- Ärge kasutage elektrilisi tööriistu plahvatusohtlikus keskkonnas, nt kus leidub tuleohtlikke vedelikke, gaase või tolmu.** Elektrilistest tööriistadest eraldub sädemeid, mis võivad süüdata tolmu/aurud.
- Hoidke lapsed ja teised isikud töökohast eemale.** Segamine võib põhjustada õnnetuse.

**Elektriohutus**

- Seadme pistik peab sobima pistikupesasse. Ärge muutke pistikut ühelgi juhul. Ärge kasutage adapter pistikuid maandatud (maandusega) tööriistadel.** Muutmata pistikud ja sobivad pistikupesad vähendavad

- elektrilöögi saamise riski.
- b. **Vältige kontakti maandatud pindadega, nagu torud, radiaatorid, pliigid ja külmikud.** On suurenenud risk elektrilöögi saamiseks, kui teie keha on maandatud.
  - c. **Ärge jätke seadet vihma ja niiskuse kätte.** Vee sattumine elektritööriista suurendab elektrilöögi saamise riski.
  - d. **Ärge kahjustage juhet. Ärge kunagi kasutage juhet seadme tassimiseks, ülesriputamiseks ega pistiku pistikupesast väljatõmbamiseks. Hoidke toitejuhet kuumuse, õli, teravate servade ja liikuvate osade eest.** Kahjustatud või keerdsuhtmed suurendavad elektrilöögi saamise ohtu.
  - e. **Kui töötate elektrilise tööriistaga vabas õhus, kasutage ainult pikendusjuhtmeid, mis sobivad välitingimustes kasutamiseks.** Välitingimustes sobivate juhtmete kasutamine vähendab elektrilöögi saamise ohtu.
  - f. **Kui elektrilise tööriista kasutamine niiskes keskkonnas on vältimatu, kasutage rikkevooluseadmega kaitstud toidet.** Rikkevoolukaitsme kasutamine vähendab elektrilöögi saamise ohtu.
- c. **Vältige soovimatut käivitumist: veenduge, et lüliti on OFF-positioonis enne, kui ühendate seadme vooluallika või akuga, ja enne, kui kannate tööriista ühest kohast teise.** Hoides näppu seadme kandmise ajal lülilil või lülitades seadme vooluvõrku, kui see on sisselülitatud, võite põhjustada õnnetuse.
  - d. **Eemaldage reguleerimisvõti või mutrivõti enne, kui seadme sisse lülitate.** Mutrivõti või võti, mis on jäetud seadme pöörleva osa külge, võib põhjustada vigastusi.
  - e. **Ärge pingutage üle. Vaadake, et püsikssite kogu aeg tasakaalus ja teil oleks piisav toetuskindel.** Nii on teil seadme üle suurem kontroll ka ootamatutes olukordades.
  - f. **Riietage end vastavalt. Ärge kandke lohvakaid rõivaid või ehteid. Hoidke oma riided, juuksed ja kindad liikuvatest osadest eemal.** Lohvakad rõivad, ehted ja pikad juuksed võivad takerduda liikuvatesse osadesse.
  - g. **Kui kaasas on ühendused, mis kinnituvad tolmu väljatõmbamiseks või kogumiseks mõeldud tarvikute külge, veenduge, et need on korralikult ühendatud ja kasutatud.** Selliste tarvikute kasutamine võib vähendada tolmu seotud ohte.

## Ohutus

- a. **Püsige valvel, jälgige oma tegevust hoolikalt ja kasutage elektrilist tööriista mõistlikult. Ärge kasutage seadet, kui olete väsinud või narkootikumide, alkoholi või ravimite mõju all.** Juba üks hetk, mil teie tähelepanu hajub, võib lõppeda tõsise vigastusega.
  - b. **Kasutage kaitsevarustust. Kaitske alati oma silmi.** Vastavas olukorras kasutuses olev kaitsevarustus, nagu tolmu mask, libisemiskindla tallaga jaltsid, kiiver, kuulmiskaitse, hoiab ära suurema vigastusohu.
- a. **Vältige seadme ülekoormust. Kasutage töö tegemiseks selleks ettenähtud elektrilist tööriista.** Õige tööriist teeb, seda õige koormusega rakendades, tööd paremini ja ohutumalt.
  - b. **Ärge kasutage elektrilist tööriista, mille lüliti ei lülitu sisse või välja.** Elektriline tööriist, mida ei saa lüliti abil juhtida, on ohtlik ning seda tuleb remontida.

## Elektrilise tööriista kasutamine ja hooldus

- c. Ühendage pistik pistikupesast välja ja/või eemaldage seadme aku enne seadme reguleerimist, tarvikute vahetamist või seadme hoiustamist. Sellised ennetavad turvameetmed aitavad ära hoida elektritööriista soovimatut käivitumist.
- d. Hoidke elektrilisi tööriistu alati lastele kättesaamatus kohas ja ärge lubage kasutada inimestel, kes pole tutvunud seadme ohutusjuhenditega. Elektrilised tööriistad võivad oskamatu kasutaja käes olla ohtlikud.
- e. Hooldage seadmeid. Kontrollige, kas seadme liikuvate osade paindumine, purunemine või mis tahes muu olukord, võivad mõjutada seadme töökindlust. Kui mõnel osal esineb kahjustusi, tuleb seade enne kasutamist parandada. Paljude õnnetuste põhjuseks on halvasti hooldatud elektrilised tööriistad.
- f. Hoidke lõiketerad teravad ja puhtad. Õigesti hooldatud lõiketerad on teravad ja kiiluvad harvemini kinni ning neid on lihtsam juhtida.
- g. Kasutage elektrilist tööriista, lisatarvikuid ja otsikuid vastavalt siin toodud juhistele ja nagu on ette nähtud seda tüüpi elektrilise tööriista puhul, võttes arvesse töötingimusi ja teostatava töö iseloomu. Elektriliste tööriistade kasutamise mitte selleks ettenähtud eesmärkidel võib põhjustada ohtlikke olukordi.
- h. Hoidke elektrilist tööriista alati isoleeritud käepidemetest töötamise ajal, kui lõikamistarvik võib ühendusse sattuda varjatud elektrijuhtme või seadme enda juhtmega. „Elus“ elekter võib tööriista metallosade kaudu and tööriista kasutajale elektrilöögi!

#### Akutööriista kasutamine ja hooldamine

- a. Laadige seadet ainult tootja poolt ettenähtud laadijaga. Akulaadija, mis sobib teatud tüüpi akudele, võib olla tuleohtlik, kui seda kasutatakse teiste akudega.
- b. Kasutage elektrilisi tööriistu ainult ettenähtud akudega. Kõik teised akud võivad tekitada vigastusi ja tulekahju.
- c. Kui patareisid ei kasutata, hoidke neid eemal metallesemetest nagu kirjaklambreid, mündid, võtmed, naelad, kruvid või muud väikesed metallist esemeid, mis võivad üksteise külge kinnituda ja patareid ühendada. Lühise tagajärjel võite saada põletusi või võib tekkida tulekahju.
- d. Patareist/akust vedeliku eraldumise korral vältige kontakti sellega. Kokkupuute korral loputage veega. Kui vedelik satub silma, pöörduge lisaks arsti poole. Akust/patareidest eralduv vedelik võib põhjustada nahaärritusi või põletusi.

#### Hooldus

- a. Laske oma tööriista hooldada kvalifitseeritud parandaja juures, kasutades ainult sellele tööriistale ettenähtud varuosi.

See tagab elektrilise tööriista ohutuse säilimise.

#### SEADMEPÕHISED OHUTUSJUHISED

##### Trelli ja kruvikeeraja ohutusjuhendid

Kasutage sobivaid detektoreid, et teha kindlaks, kas tööpiirkonnas on peidetud trasse või helistage kohalikesse kommunaalteenustesse. Kokkupuutel elektrijuhtmetega on tulekahju ja elektrilöögi saamise oht. Gaasijuhtme

kahjustamine võib põhjustada plahvatuse. Katkine veetoru võib põhjustada varalise kahju või elektrilöögi.

**Lülitage elektriline tööriist kohe välja, kui tööriista ots kinni kiilub. Olge valmis, et suur pöördemoment võib põhjustada tagasilöögi.** Tööriista ots jääb kinni kui:

- elektrilisel tööriistal on ülekoormus või
- see kiilub toorikus kinni.

**Hoidke masinat tugevalt.** Kui keerate kruvisid lahti/kinni, võib korraks tekkida suur pöördemoment.

**Kinnitage toorik.** Toorik kinnitage klambrite või kruustangidega, see tagab detaili parema paigalpüsimise kui käsitsi kinnihoidmine.

**Hoidke oma töökoht puhas.** Materjalide segud on eriti ohtlikud. Kergete sulamite tolm on tuleohtlik või plahvatusohtlik.

**Alati oodake, kuni masin on täielikult seiskunud, enne kui selle käest maha panete.** Lisatud tööriista otsik võib kinni kiiluda ja te võite kaotada kontrolli masina üle.

**Vältige seadme tahtmatut sisselülitamist. Enne aku sisestamist veenduge, et tööriist on välja lülitatud.** Elektrilise tööriista kandmine, näpp päästikul või aku sisse panemine, kui tööriista päästik on „sisse“ asendis, võib põhjustada õnnetusi.

**Laadija ohutusjuhend**



Ainult siseruumides kasutamiseks.



Kahekordse isolatsiooniga.

**Ärge jätke laadijat vihma või niiskuse kätte.** Niiskuse tungimine laadijasse suurendab elektrilöögi saamise riski.

**Ärge kasutage laadijat muude patareide laadimiseks.** Laadija on ettenähtud ainult selle elektrilise tööriistaga koos tarnitud patareide laadimiseks. Muidu tulekahju- ja plahvatusoht.

**Hoidke laadija puhas.** Saastumine võib tekitada elektrilöögi saamise ohu.

**Enne igat kasutuskorda kontrollige laadijat, juhet ja pistikut. Kui mõnel osal esineb kahjustusi, ei tohi laadijat kasutada. Ärge kunagi avage laadijat iseseisvalt. Seadet tohib parandada ainult kvalifitseeritud tehnik.**

Kahjustatud laadija, juhtmed ja pistikud suurendavad elektrilöögi saamise riski.

Ärge asetage laadijat kergesti süttivatele pindadele (paber, tekstiilid jne) või nende lähedusse. Laadimise ajal laadija kuumeneb ja on tuleohtlik.

**Tuleb jälgida, et lapsed ei mängiks laadijaga.**

## VIBRATSIOONIANDMED

### Vibratsioonitase

Vibratsioonitase, mis on märgitud selles kasutusjuhendis, on mõõdetud kooskõlas standardis EN 60745 kirjeldatud testiga. Seda võib kasutada ühe tööriista võrdlemiseks teisega ja eelhinnangu andmiseks vibratsiooniga kokkupuute taseme kohta tööriista kasutamisel juhendis mainitud viisil. Kuid kasutades tööriista muudeks rakendusteks või koos erinevate või halvasti hooldatud lisatarvikutega, võib



vibratsioonitase oluliselt suureneda.

Vibratsiooniga kokkupuutetaseme hindamisel peaks arvesse võtma ka aega, kui tööriist on välja lülitatud või kui see on sisse lülitatud, kuid tegelikult sellega ei töötata, kuna see võib oluliselt vähendada vibratsiooniga kokkupuute taset, kogu tööaega arvesse võttes.

Kaitse ennast vibratsiooni toime vastu, hooldades tööriista ja selle tarvikuid, hoides oma käed soojad ja organiseerides hästi oma töövõtteid.

## KOKKUPANEMINE

**Enne masina enda kallal tööde alustamist (nt hooldus, tööriistavahetus jne), samuti transpordi ja ladustamise ajal, seadke pöörlemissuuna lüliti keskmisse asendisse.** Soovimatu seadme käivitumine võib põhjustada vigastusi.

## Aku laadimine

### Kruikeeraja/trelli laadimine

Kui laadija on vooluvõrku ühendatud, süttib kruikeerajal/trellil punane tuli. Tuli jääb põlema kuni aku laeb (8).

Normaalsete kruikeeraja kasutamistingimuste puhul on kruikeerajat võimalik mitusada korda taaslaadida.

**TÄHELEPANU!** Taaslaadimisprotsess tekitab akus soojust.

**Pane tähele!** Aku, mis tarnitakse koos kruikeerajaga, on laetud ainult katsetamise eesmärgil ja see tuleb enne esmakordset kasutamist täis laadida.

Loe kõigepealt ohutusjuhiseid ning seejärel järgi laadimisjuhiseid. Pista laadija juhtme pistik kruikeeraja/trelli pistikupesasse.

Seejärel ühenda laadija vooluvõrku.

Kontrolli, et juhtmes ei oleks sõlmi ega järseks paindeid.

Laadija trafo ja aku on ettenähtud koos kasutamiseks.

**MITTE KUNAGI** ära kasuta seda laadijat teiste tootjate poolt toodetud juhtmeteta tööriistade või akude laadimiseks.

Aku läheb aja jooksul tühjaks, isegi kui tööriist ei ole kasutuses.

Liitium-ioon aku on kaitstud lõpliku tühjenemise eest "Elektroonilise elemendikaitsega (ESP)". Kui aku on tühi, lülitub masin välja kaitsva vooluahela abil ja tööriist ei pöörle enam.



**HOIATUS! Ära vajuta enam edasi/ tagasi nuppu kui masin on automaatselt välja lülitunud.** Aku võib viga saada.



**HOIATUS! Aseta aku taaslaadimiseks mittesüttivale alusele. Ära lae akut kauem kui 8 tundi.** Kui aku on täielikult laetud, siis punane tuli kutsub.

Ühenda juhe lahti ning säilita akulaadija sobivas kohas, kui see ei ole kasutuses.

Akut ei ole soovitatav laadida alla 0°C olevatel temperatuuridel.

**Kui eemaldate aku masina küljest, vajutage lülitile (4) kuni aku on täielikult tühjenenud. Krui lahti korpuse kruid ja võta aku koos kestaga välja.** Ühenda aku ühendused lahti ja eemalda aku (vt joonis A).

## KASUTUSJUHENDID

### Võlli kiiruse reguleerimine

On võimalik reguleerida võlli kiiruseid nullist maksimaalseni, muutes päästikule rakendatavat survet.

### Pöörlemissuuna vastupidiseks muutmise

Te võite pöörlemissuuna vastupidiseks muuta, kasutades selektorit päästiku kohal.

Päästiku lukustamiseks, sättige selektor keskmisesse positsiooni, „paremale“ ja „vasakule“ vahel.

### Pöördemomendi reguleerimine

Keerake pöördemomendi regulaator soovitud asendisse. Seaded 1-15 kasutatakse kruvi kinni/lahti keeramiseks (mida suurem väärtus, seda suurem on pöördemoment). Valige trelli sümbol enne puurimise alustamist.

### Võtmeta padrun

Trellil on võtmeta padrun, nii et saate lihtsalt pingutada või vabastada trelli/otsikuid.

Padruni avamiseks/sulgemiseks, hoidke tagumisest rõngast ja pöörake esimest osa.



### HOIATUS: TAKERDUMISOHT

Ärge hoidke ühe käega padruni hülsist samal ajal, kui avate või sulgete padruni metallrusikaid trelli/puuri mootori abiga.

### Otsiku kinnitamine

Seadke trelli/ajami päästik keskmisse asendisse.  
Reguleerige padrunit, kuni ava on veidi suurem kui puur, mida soovite kasutada.

Pange puur padrunisse.

Keerake padrun vastu trelli kinni, nagu eespool kirjeldatud (Võtmeta padrun/kiirkinnituspadrun).

## HOOLDAMINE JA PUHASTAMINE

**Enne seadmega mistahes tööde alustamist (nt hooldus, tööriista vahetamine jne), samuti transpordi ja ladustamise ajal, seadke pöörlemissuuna lüliti keskele.** Soovimatu seadme käivitamine võib põhjustada vigastusi.

**Ohutuse tagamiseks ja seadme korralikuks toimimiseks, hoidke seade ja tuulutussavad alati puhtad.**

## JÄÄTMEKÄITLUSJUHENDID

### Aita kaitsta keskkonda

Informatsioon (kodumajapidamistele) keskkonnateadlikkuse tõstmiseks ja elektroonikaseadmete jäätmete kõrvaldamiseks kooskõlas WEEE (Waste Electrical and Electronic Equipment) direktiiviga.



See sümbol toodetel või saatedokumentidel näitab, et kasutatud ja kasutuselt kõrvaldatud elektri- ja elektroonikaseadmeid ei tohi visata olmeprügi hulka. Nõuetekohase kõrvaldamise, töötlemise, taaskasutamise ja ümbertöötlemise tagamiseks tuleb need tooted viia kogumispunkti, kus need tasuta vastu võetakse. Alternatiivina võib mõnes riigis tagastada oma tooted jaemüüjale, samaväärselt uue toote ostmisel. Õige kasutusest kõrvaldamine aitab säästa

väärtuslikke ressursse ning vältida võimalikke negatiivseid mõjusid inimese tervisele ja keskkonnale, mis muidu võivad kaasneda jäätmete vale kõrvaldamise ja käitlemisega. Palun võtke ühendust oma kohaliku omavalitsusega, et saada infot lähima kogumispunkti kohta. Vale jäätmekäitluse puhul võidakse kohaldada karistusi.

### **Patareide jäätmekäitlus**

Ärge visake patareisid tavalise olmeprügi hulka. Vastavalt seadustele, peab kahjustatud ja tühjad patareid viima spetsiaalsetesse kogumispunktidesse. Nende seaduste eiramine võib kaasa tuua trahvi või muu karistuse.

### **Teave jäätmekäitluse kohta väljaspool Euroopa Liitu.**



See sümbol kehtib üksnes Euroopa Liidus. Palun võtke ühendust asjakohaste asutuste või jaemüüjatega teie riigis, et saada infot nõuetekohase jäätmekäitluse kohta.

**FIXA skrūvgriezis/urbis, litija-jonu 7,2V**

### TEHNISKĀ INFORMĀCIJA

**Spriegums/akumulatora tips:** 7,2 V

litija-jonu akumulators

**Maks. apgriezienu skaits tukšgaitā:**

0-400 apgriezieni minūtē

**Maks. griezes moments:** 5 Nm.

**Uzgaļu turētājs:** 6 mm

**Urbjpatrona:** 10 mm, bezatslēgas, ar ātrās nomaigas sistēmu.

**Lādētāja spriegums:** vietējais

**Uzlādes ilgums:** 3-8 stundas

**Cita informācija:** regulējams griezes moments.

**Vibrācija (saskaņā ar EN 60745-1, EN 60745-2-1, EN 60745-2-2)**

$a_h = 0.945 \text{ m/s}^2$ ,  $K=1.5 \text{ m/s}^2$ .

$a_h=0.564 \text{ m/s}^2$ ,  $K=1.5 \text{ m/s}$ .

**Troksnis (saskaņā ar EN 60745-1)**

Skaņas spiediena līmenis  $L_{pa} = 63,6 \text{ dB (A)}$ ,  $K_{pa} = 3 \text{ dB (A)}$

Skaņas jaudas līmenis  $L_{wa} = 74,6 \text{ dB (A)}$ ,

$K_{wa} = 3 \text{ dB (A)}$

### DETAĻU SARAKSTS

Instrumenta detaļu numurējums atbilst numurējumam attēlā.

1. Bezatslēgas urbjpatrona
2. Griezes momenta regulators (regulēšanas gredzens)
3. Griešanas virziena pārslēdzējs
4. Ātruma regulators/slēdzis
5. Lādētājs
6. Lādētāja spraudnis
7. Lādētāja ligzda
8. Lādēšanas indikators
9. Skrūvgrieža uzgaļu turētājs

### PIELIETOJUMS

Akumulatora urbis/skrūvgriezis paredzēts koka, metāla, plastmasas un keramisku materiālu urbšanai, kā arī skrūvju pievilksšanai vai atskrūvēšanai

### VISPĀRĪGA DROŠĪBAS INSTRUKCIJA

Vispārīga elektroinstrumentu drošības instrukcija



**BRĪDINĀJUMS!**



**Rūpīgi izlasiet visus drošības brīdinājumus un instrukcijas.**

Instrukciju neievērošana var izraisīt elektriskās strāvas triecienu, ugunsgrēku un/vai nopietnas traumas.

**Saglabāiet visus brīdinājumus un instrukcijas turpmākai uzziņai.**

Visos zemāk minētajos brīdinājumos lietotais termins „elektroinstrument” attiecas uz strāvu darbināmiem (vadu) elektroinstrumentiem vai ar akumulatoru darbināmiem (bezvadu) elektroinstrumentiem.

### Darba zonas drošība

- a. Nodrošiniet, lai darba zona būtu tīra un labi apgaismota.** Nekārtīgās un tumšās vietās iespējami negadījumi.
- b. Nedarbiniet elektroinstrumentus sprādzienbīstamā vidē, piemēram, uzliesmojošu šķidrumu, gāzu vai putekļu klātbūtnē.** Elektroinstrumenti rada dzirksteles, kas var aizdedzināt putekļus vai izgarojumu tvaikus.
- c. Elektroinstrumenta darbināšanas laikā tā tuvumā nedrīkst atrasties bērni un citas nepiederošas personas.** Nevērības dēļ var zaudēt vadību pār ierīci.

### Elektrodrošība

- a. Elektroinstrumenta kontaktspraudņiem ir jāatbilst kontaktligzdai. Nekādā veidā**

**nepārveidojiet kontaktspraudni. Nelietojiet nekādus spraudsavienojumus kopā ar iezemētiem elektroinstrumentiem. Lietojot nepārveidotus**

**kkontaktspraudņus un atbilstošas kontaktligzdas, tiek samazināts elektriskās strāvas trieciena risks.**

- b. **Izvairieties no saskares ar iezemētām virsmām, piemēram, caurulēm, radiatoriem, plītim un ledusskapjiem.** Elektriskās strāvas trieciena risks palielinās, ja jūsu ķermenis ir iezemēts.
- c. **Nepakļaujiet elektroinstrumentus lietus vai mitruma iedarbībai.** Ūdens iekļūšana elektroinstrumentos palielina elektriskās strāvas trieciena risku.
- d. **Pareizi izmantojiet vadu. Nekad lietojiet vadu, lai elektroinstrumentu pārvietotu, vilktu vai izslēgtu. Neturiet vadu karstumā un eļļu, asmeņu vai kustīgu daļu tuvumā.** Bojāti vai sapinušies vadi palielina elektriskās strāvas trieciena risku.
- e. **Darbinot elektroinstrumentu ārpus telpām, izmantojiet pagarinātāju, kas piemērots lietošanai ārpus telpām.** Izmantojot vadu, kas ir paredzēts lietošanai ārpus telpām, tiek samazināts elektriskās strāvas trieciena risks.
- f. **Ja nevar izvairīties no elektroinstrumenta darbināšanas mitrās vietās, izmantojiet barošanu, kas aizsargāta ar noplūdes strāvas aizsardzības ierīcēm.** Noplūdes strāvas aizsardzības ierīču izmantošana samazina elektriskās strāvas trieciena risku.

#### **Personiskā drošība**

- a. **Darbinot elektroinstrumentu, esiet piesardzīgs, sekojiet līdzi tam, ko darāt, un lietojiet veselo saprātu. Nelietojiet elektroinstrumentu, ja esat noguris vai atrodaties**

**narkotisku vielu, alkohola vai medikamentu iedarbībā.** Mirkļis neuzmanības elektroinstrumentu darbināšanas laikā var izraisīt smagus miesas bojājumus.

- b. **Lietojiet personiskos aizsarglīdzekļus. Vienmēr izmantojiet acu aizsargus.** Aizsarglīdzekļi, piemēram, pretputekļu maska, neslīdoši drošības apavi, ķivere vai dzirdes aizsargierīces, kas izmantoti atbilstošos apstākļos, pasargās no savainojumiem.
- c. **Pasargājiet ierīci no nejaušas iedarbināšanas Pirms ierīces pacelšanas, pārvietošanas vai ievienošanas strāvas avotam un/vai akumulatora blokam pārliecinieties, vai slēdzis ir izslēgtā stāvoklī.** Elektroinstrumentu pārvietošana, turot pirkstu uz slēdža, vai sprieguma padeve elektroinstrumentiem, kuriem ir ieslēgts slēdzis, var izraisīt negadījumus.
- d. **Pirms ieslēdzat elektroinstrumentu, noņemiet visas regulēšanas atslēgas vai uzgriežņatslēgas.** Uzgriežņatslēga vai atslēga, kas atstāta piestiprināta pie elektroinstrumentu rotējošās daļas, var izraisīt miesas bojājumus.
- e. **Pārmērīgi neizstiepiet rokas. Vienmēr pareizi atbalstieties un noturiet līdzsvaru.** Tādējādi nodrošināsiet efektīvāku elektroinstrumenta vadību neparedzētās situācijās.
- f. **Lietojiet piemērotu apērību. Nevelciet brīvu apērību vai rotaslietas. Nodrošiniet, lai mati, apērbs un cimdi nenonāktu kustīgo daļu tuvumā.** Brīvs apērbs, rotaslietas un gari mati var ieķerties kustīgajās daļās.
- g. **Ja ierīces ir paredzēts pievienot putekļu nosūkšanas un savākšanas ierīcēm, nodrošiniet, lai tās tiktu pareizi pievienotas un izmantotas.** Putekļu savācēju izmantošana var samazināt ar putekļiem saistīto

kaitīgumu.

### **Elektroinstrumenta lietošana un apkope**

- a. **Nesteidziniet elektroinstrumenta darbību. Izmantojiet darbam piemērotāko elektroinstrumentu.** Pareizā elektroinstrumenta darbs būs efektīvāks un drošāks, strādājot tam paredzētajā ātrumā.
- b. **Nelietojiet elektroinstrumentu, ja nedarbojas tā slēdzis.** Elektroinstrumenti, kuram nedarbojas slēdzis, ir bīstami, un tas ir jāremontē.
- c. **Pirms veicat kādus pielāgojumus, maināt piederumus vai novietojat elektroinstrumentu glabāšanā, atvienojiet kontaktspraudni no strāvas avota un/vai akumulatora bloku -no elektroinstrumenta.** Šādi profilaktiski drošības pasākumi samazina elektroinstrumenta nejaušas iedarbināšanas risku.
- d. **Uzglabājiet elektroinstrumentus bērnēm nepieejamās vietās un neļaujiet tos darbināt personām, kas nepazīna elektroinstrumenta darbību vai nav iepazinušās ar šiem norādījumiem.** Elektroinstrumenti ir bīstami, ja ar tiem rīkojas neapmācīti lietotāji.
- e. **Veiciet elektroinstrumentu apkopi. Pārbaudiet kustīgo daļu savienojumus vai sustiprinājumus, detaļu bojājumus vai citus apstākļus, kas var ietekmēt elektroinstrumenta darbību. Ja konstatējat bojājumus, elektroinstrumentus pirms lietošanas ir jāsalabo.** Daudzi negadījumi rodas nepareizas elektroinstrumentu apkopes dēļ.
- f. **Griezējinstrumentiem vienmēr jābūt asiem un tīriem.** Pareizi apkopti griezējinstrumenti ar asiem asmeņiem retāk iesprūst un ir vieglāk vadāmi.
- g. **Elektroinstrumentu, tā piederumus, griežņus un citas**

**sastāvdaļas lietojiet saskaņā ar šiem norādījumiem, ņemot vērā darba apstākļus un veicamo darbu.**

- h. **Turiet elektroinstrumentu tikai aiz izolētajām satveršanas virsmām, jo griezējasmens var saskarties ar paslēpto elektroinstalāciju vai savu strāvas kabeli.** Griezējasmehņu saskaršanās ar strāvas kabeli, var izraisīt elektroinstrumenta atklāto metāla daļu vadītspēju un radīt lietotājam elektriskās strāvas trieciena draudus.

### **Akumulatora instrumentu lietošana un kopšana**

- a. **Uzlādējiet akumulatorus tikai lādēšanas ierīcēs, ko iesaka ražotājs.** Lādēšanas ierīcē, kas piemērota noteiktam akumulatoru veidam, pastāv ugunsgrēka risks, ja tā tiek lietota ar citu akumulatoru.
- b. **Izmantojiet elektroinstrumentos tikai tiem speciāli paredzētus akumulatorus.** Citu akumulatoru lietošana var izraisīt traumu un ugunsgrēka risku.
- c. **Kad akumulators netiek izmantots, glabājiet to drošā attālumā no tādiem metāla priekšmetiem kā spraudnes, monētas, atslēgas, naglas, skrūves un citiem nelieļiem metāla priekšmetiem, kas var savienot abas spailes.** Īssavienojums var izraisīt apdegumus vai ugunsgrēku.
- d. **Ja akumulators tiek lietots nepareizi, no tā var izplūst šķidrums. Izvairieties no kontakta ar to. Nejausa kontakta gadījumā skalojiet ar ūdeni.** Ja šķidrums nonāk acīs, sazinieties ar ārstu. Akumulatora šķidrums var izraisīt ādas iekaisumus vai apdegumus.

## Apkope

- a. Elektroinstrumentu remontu drīkst veikt tikai kvalificēta persona, izmantojot vienīgi oriģinālas vai tām identiskas rezerves daļas.

Šādā veidā tiek nodrošināta elektroinstrumenta drošība.

## DROŠĪBAS TEHNIKAS INSTRUKCIJA

### Urbju un skrūvgriežu drošības brīdinājumi

**Lai noskaidrotu, vai darba zonā neatrodas komunālo pakalpojumu līnijas, lietojiet piemērotu indikatoru vai sazinieties ar vietējo komunālo pakalpojumu uzņēmumu.** Saskarsme ar elektrolīnijām var izraisīt ugunsgrēku vai elektriskās strāvas triecienu. Bojājumi gāzes vadā var izraisīt sprādzienu. Ūdensvada bojājumi var izraisīt īpašuma bojājumus vai elektriskās strāvas triecienu.

**Ja elektroinstrumenti pēkšņi iestrēgst, nekavējoties to izslēdziet. Šādā gadījumā rodas ievērojams reaktīvais griezes moments, kas var izraisīt atsitieni.** Instrumenti parasti iestrēgst šādos gadījumos:

- ja tas tiek pārslogots vai
- ja tas darbības laikā netiek turēts taisni.

### Turiet elektroinstrumentu cieši.

Reaktīvais griezes moments parasti rodas skrūvēšanas laikā.

**Nofiksējiet zāgējamo materiālu.** Ar skavām nofiksēts materiāls ir stabilāks par materiālu, kas tiek pieturēts ar rokām.

**Darba zonai jābūt tīrai.** Dažādu materiālu saskarsme var būt bīstama. Vieglmetālu

sakausējumu putekļi var aizdegties vai uzsprāgt.

**Pirms ierīces nolikšanas nost, pārliecinieties, ka tā ir pilnībā apstājusies.** Pretējā gadījumā ierīcē var iestrēgt kāds priekšmets, un jūs varat zaudēt kontroli pār to.

**Nekādā gadījumā nelietojiet ierīci ar bojātu vadu.** Ja vads sabojājas ierīces lietošanas laikā, nekādā gadījumā to neaiztīciet un nekavējoties atslēdziet ierīci no strāvas padeves avota. Bojāti vadi var izraisīt elektriskās strāvas triecienu.

### Akumulatoru lādētāju drošības brīdinājumi



Lietošanai tikai iekštelpās.



Aizsargāts ar dubultu izolāciju.

**Sargājiet lādētāju no lietus un mitruma, lai samazinātu elektriskās strāvas trieciena risku.**

**Lādējiet vienīgi akumulatorus, kas iekļauti elektroinstrumenta komplektā.** Nav paredzēts citu akumulatoru lādēšanai. Pretējā gadījumā pastāv ugunsgrēka un sprādziena risks.

**Akumulatora lādētājam jābūt tīram.** Liels netīrumu daudzums var izraisīt elektriskās strāvas triecienu.

**Pirms katras lietošanas reizes pārbaudiet lādētāju, tā kabeli un kontaktakšu. Bojājumu gadījumā to nedrīkst lietot. Nemēģiniet lādētāju atvērt. Tā remonts jāveic kvalificētam**

**speciālistam.** Bojāts lādētājs, tā vads un kontaktdakša paaugstina strāvas trieciena risku.

**Nelietojiet lādētāju uz viegli uzliesmojošām virsmām (piemēram, papīra, audumiem utt.) vai to tuvumā.**

Lādētājs lietošanas laikā sakarst, paaugstinot ugunsgrēka risku.

**Uzraugiet, lai bērni ar lādētāju nespēlētos.**

## INFORMĀCIJA PAR VIBRĀCIJU

### Vibrācijas līmenis

Šajā pamācībā sniegtais vibrācijas līmenis ir izmērīts atbilstoši standartā EN 60745 noteiktajai procedūrai un var tikt lietots instrumentu salīdzināšanai. To var izmantot arī vibrācijas radītās papildu slodzes iepriekšējai novērtēšanai. Šeit sniegtais vibrācijas līmenis ir attiecināms uz elektroinstrumenta galvenajiem pielietojuma veidiem. Ja elektroinstruments tiek lietots netipiskiem mērķiem, kopā ar netipiskiem darbinstrumentiem vai nav vajadzīgajā veidā apkalpots, tā vibrācijas līmenis var atšķirties no šeit sniegtās vērtības. Tas var ievērojami palielināt vibrācijas radīto papildu slodzi zināmam darba laika posmam.

Lai precīzi izvērtētu vibrācijas radīto papildu slodzi zināmam darba laika posmam, jāņem vērā arī laiks, kad elektroinstruments ir izslēgts vai arī darbojas, taču reāli netiek izmantots paredzētā darba veikšanai. Tas var ievērojami samazināt vibrācijas radīto papildu slodzi zināmam darba laika posmam.

Veiciet papildu pasākumus, lai pasargātu strādājošo personu no vibrācijas kaitīgās iedarbības, piemēram, savlaicīgi veiciet elektroinstrumenta un darbinstrumentu apkalpošanu, novērsiet roku atdzišanu un

pareizi plānojiet darbu.

## MONTĀŽA

**Pirms jebkādu darbību veikšanas ar ierīci (piemēram, kopšanas, instrumentu nomaigās utt.), kā arī to transportējot vai uzglabājot, vienmēr pārliecinieties, ka atpakajgaitas rotācijas slēdzis atrodas vidus pozīcijā.** Netīša slēdža nospiešana var izraisīt traumas.

### Akumulatora lādēšana Skrūvgrieža/urbja lādēšana

Kad lādētājs ir pieslēgts strāvas padeves avotam, uz skrūvgrieža/urbja iedegas sarkana lampiņa. Lampiņa deg tik ilgi, kamēr akumulators tiek lādēts (8).

Normālos skrūvgrieža/urbja lietošanas apstākļos to iespējams uzlādēt vairākus simtus reižu.

**UZMANĪBU!** Lādēšanas laikā akumulators uzsilst.

**Uzmanību:** Komplektā iekļautais skrūvgrieža/urbja akumulators ir tikai daļēji uzlādēts. Pirms pirmās lietošanas reizes to nepieciešams uzlādēt pilnībā.

Vispirms izlasiet drošības instrukciju un tad ielādes instrukciju. Ievietojiet lādēšanas kontaktspraudni skrūvgrieža/urbja ligzdā. Tad pieslēdziet lādētāja transformatoru pie strāvas padeves avota.

Pārliecinieties, ka kabelis nav samezģlojies vai saliekts.

Lādētāja transformatoru un akumulatoru paredzēts lietot kopā.



**NEKĀDĀ GADĪJUMĀ** nelietojiet šo lādētāju, lai uzlādētu cita ražotāja akumulatorus vai instrumentus.

Pat ja instruments netiek lietots, akumulators ar laiku izlādējas.

Litija-jonu akumulatorā ir pielietota elektroniskā elementu aizsardzība (Electronic Cell Protection (ECP)), kas to pasargā no dziļās izlādes. Ja akumulators ir izlādējies, īpaša aizsardzības sistēma instrumentu izslēdz, un tas pārtrauc kustēties.



**BRĪDINĀJUMS!** Ja instruments ir automātiski izslēdzies, **neturpiniet spiest tā slēdzi**. Tādējādi iespējams sabojāt akumulatoru.



**BRĪDINĀJUMS!** Akumulatora lādēšana jāveic uz neuzliesmojošas virsmas. Lādēšanu nedrīkst veikt ilgāk par 8 stundām. Kad akumulators būs pilnībā uzlādējies, sarkanā gaismiņa pārstās degt.

Atvienojiet vadu un uzglabājiet transformatoru tam piemērotā vietā, kad tas netiek izmantots.

Akumulatoru nav ieteicams lādēt temperatūrās, kas zemākas par 0°C.

**Pirms akumulatora izņemšanas to nepieciešams pilnībā izlādēt, piespiežot slēdzi (4).** Atskrūvējiet korpusa skrūves un noņemiet apvalku. Pirms akumulatora izņemšanas, atvienojiet visus tā savienojumus (skat. attēlu A).

## LIETOŠANAS INSTRUKCIJA

### Ātruma regulēšana

Griešanās ātrumu iespējams regulēt ar ātruma regulatoru/slēdzi. Jo lielāks izdarītais spiediens, jo lielāks griešanās ātrums.

### Griešanas virziena maiņa

Griešanas virzienu iespējams mainīt ar griešanas virziena pārslēdzēju, kas atrodas virs slēdža.

Lai slēdzi nofiksētu, noregulējiet griešanas virziena pārslēdzēju pa vidu.

### Griezes momenta regulēšana

Pagrieziet griezes momenta regulatoru vēlamajā pozīcijā. Skrūvju pievilkšanai/atskrūvēšanai izvēlieties pakāpi no 1 līdz 15 (jau augstāka vērtība, jo lielāks griezes moments). Izmantojot instrumentu urbšanai, izvēlieties urbja simbolu.

### Bezatslēgas urbpatrona

Šis urbis aprīkots ar bezatslēgas urbpatronu, kas atvieglo uzgaļu ievietošanu, nofiksēšanu un izņemšanu.

Lai atvērtu/aizvērtu urbpatronu, turiet aizmugurējo gredzenu un grieziet priekšējo aploci.



### BRĪDINĀJUMS: IESPRŪŠANAS RISKS

Atverot vai aizverot urbpatronu ar urbja/skrūvgrieža motora palīdzību, neturiet tās priekšējo atloci ar vienu roku.

### Uzgaļu ievietošana

Urbja/skrūvgrieža slēdzim jāatrodas vidējā pozīcijā.

Noregulējiet urbpatronu tā, lai tās atvere

būtu nedaudz lielāka par uzgali, ko paredzēts tajā ievietot. Ievietojiet uzgali urbjpatronas atverē. Nofiksējiet uzgali, kā minēts iepriekš (Bezatslēgas urbjpatrona).

## KOPŠANA UN TĪRĪŠANA

**Pirms jebkādu darbību veikšanas ar ierīci (piemēram, kopšanas, instrumentu nomaiņas utt.), kā arī to transportējot vai uzglabājot, vienmēr pārliecinieties, ka atpakaļgaitas rotācijas slēdzis atrodas vidus pozīcijā.** Netīša slēdža nospiešana var izraisīt traumas.

**Pareizai un drošai ierīces lietošanai vienmēr pārliecinieties, ka ventilācijas atveres ir tīras.**

## UTILIZĀCIJAS INSTRUKCIJA

### Vides aizsardzība

Informācija (mājsaimniecībām) par videi drošu elektrisko un elektronisko ierīču utilizāciju saskaņā ar direktīvu par elektrisko un elektronisko iekārtu atkritumiem.



Elektrisko un elektronisko preču simbols un dokumentācija norāda, ka šo preci nedrīkst izmest kopā ar parastiem sadzīves atkritumiem. Prece jānogādā savākšanas punktā, kur to bez maksas pieņems, utilizēs, atkārtoti lietos vai pārstrādās. Dažās valstīs preces var atgriezt to iegādes punktā. Šis preces atbilstoša utilizācija palīdz saglabāt vērtīgus dabīgos resursus un samazina negatīvo ietekmi uz veselību un vidi. Sazinieties ar vietējo pašvaldību, lai noskaidrotu, kur ir jums tuvākais elektrisko un elektronisko atkritumu pieņemšanas punkts. Šāda veida preču nepareiza

utilizācija var tikt sodāma atbilstoši likumam.

### Bateriju utilizācija

Baterijas nedrīkst izmest ūdenī, ugunī vai kopā ar parastiem sadzīves atkritumiem. Saskaņā ar likumu, baterijas jānodod bateriju/akumulatoru pieņemšanas punktā. Nepareiza utilizācija var tikt sodāma atbilstoši likumam.

### Utilizācijas informācija patērētājiem ārpus ES



Šis simbols ir spēkā esošs vienīgi Eiropas Savienībā. Sazinieties ar atbildīgajām valsts iestādēm, lai iegūtu informāciju par piemērotāko preces utilizācijas veidu.

**Ličio jonų suktuvas/grąžtas FIXA, 7,2 V****TECHNINĖS SPECIFIKACIJOS:****Akumulatoriaus įtampa/tipas:**

7,2 V ličio jonų akumulatorius.

**Maks. apsukos (be apkrovos):**

0-400 rpm.

**Maks. sukimo momentas:** 5 Nm.**Antgalių laikiklis:** 6 mm.

Griebtuvas: 10 mm, be rakto, greitai

fiksuojančias griebtuvas

**Įkroviklis:** vietos maitinimo tinklo įtampa.**Įkrovimo laikas:** 3-8 val.**Kita informacija:** reguliuojamas sukimo momentas.**Vibracija (pagal EN 60745-1,****EN 60745-2-1, EN 60745-2-2)** $< a_{rh}, D = 0.945 \text{ m/s}^2, K = 1.5 \text{ m/s}^2.$  $a_{rh} = 0.564 \text{ m/s}^2, K = 1.5 \text{ m/s}.$ **Triukšmas (pagal EN 60745-1)**Garso slėgio lygis  $L_{pa} = 63,6 \text{ dB (A)},$  $K_{pa} = 3 \text{ dB (A)}$ Garso galios lygis  $L_{wa} = 74,6 \text{ dB (A)},$  $K_{wa} = 3 \text{ dB (A)}$ **DALYS**

Numeriai atitinka suktuvo/grąžto paveikslėlyje pažymėtus skaičius.

1. Griebtuvas be rakto
2. Sukimo momento reguliatorius
3. Sukimo dešinèn/kairèn jungiklis
4. Greičio valdiklis/jungiklis-gaidukas
5. Įkroviklis
6. Įkroviklio kištukas
7. Įkroviklio lizdas
8. Įkroviklio indikatorius
9. Atsuktuvo antgalio laikiklis

**PASKIRTIS**

Šiuo belaidžiu grąžtu/atsuktuvu galima gręžti medieną, metalą, plastiką ir keramiką bei įsukti/išsukti varžtus.

**BENDROS SAUGOS INSTRUKCIJOS****Bendros elektrinių įrankių saugos instrukcijos****ĮSPĖJIMAS!**

**Perskaitykite visus įspėjimus ir instrukcijas.** Perskaitykite visus įspėjimus ir instrukcijas. Nesilaikant šių įspėjimų ir nurodymų, galima sukelti elektros šoką, gaisrą ir/ar susižaloti.

**Saugokite šias instrukcijas.**

Sąvoka „elektrinis įrankis“ naudojama visuose įspėjimuose reiškia elektrinius įrankius maitinamus iš elektros tinklo (su laidu) ar akumulatorinius (belaidžius) įrankius.

**Darbo vieta**

- Darbo vieta turi būti švari ir tinkamai apšviesta.** Daugiau nelaimingų atsitikimų įvyksta netvarkingose ir tamsiose darbo vietose.
- Draudžiama naudoti elektrinius įrankius potencialiai sprogioje aplinkoje, pavyzdžiui, šalia degių skysčių, dujų ar dulkių.** Kibirkštys atsirandančios naudojant elektrinius įrankius gali sukelti gaisrą.
- Dirbant su elektriniu įrankiu, vaikai ir pašaliniai asmenys turi būti kuo toliau nuo darbo vietos.** Jie gali blaškyti.

**Elektros sauga**

- Elektrinio įrankio kištukas turi sutapti su lizdu. Draudžiama bet koku būdu keisti kištuką ir naudoti adapterius, kuriais įžeminami elektros įrankiai.** Naudodami nepakeistus kištukus ir atitinkamus lizdus sumažinsite elektros šoko galimybę.

- b. **Venkite kūno sąlyčio su įžemintais paviršiais, pavyzdžiui, vamzdynais, radiatoriais, viryklėmis ir šaldytuvais.** Jei kūnas įžemintas, didėja elektros šoko rizika.
- c. **Saugokite elektrinius įrankius nuo lietaus ir drėgmės.** Vanduo patekęs į elektrinį įrankį gali sukelti elektros šoką.
- d. **Nepažeiskite laido. Neneškite įrankio, netraukite jo iš lizdo paėmę už laido. Saugokite laidą nuo karščio, tepalų, aštrių kraštų ar judančių mechanizmų.** Elektros šoko rizika didėja, jei laidas pažeistas ar supainiotas.
- e. **Naudodami elektrinį įrankį lauke, junkite prie tinkamo naudoti lauke prailgintuvo.** Šitai apsisaugosite nuo elektros šoko.
- f. **Jei būtina naudoti elektrinį įrankį drėgnoje aplinkoje, naudokite įrankį su likutinės srovės grandinės pertraukikliu (RCD).** Tokiu būdu sumažinsite elektros šoko riziką.

### Asmeninė sauga

- a. **Dirbdami su elektriniu įrankiu, būkite dėmesingi ir racionalūs. Nereikėtų naudoti įrankio, kai esate pavargę. Draudžiama juo dirbti apsaigaus nuo vaistų ar alkoholio.** Bet koks nedėmesingumas naudojant įrankį gali baigtis sužalojimais.
- b. **Naudokite asmenines apsaugos priemones. Dėvėkite apsauginius akinius.** Nuo sužalojimų apsaugos kvėpavimo takų apsauginės priemonės, avalynė neslystančiais padais, šalmas ir ausinės ar ausų kištukai.
- c. **Saugokite, kad įrankis neįsijungtų netikėtai: prieš jungiant į lizdą/ baterijos bloką, keliant ar nešant įrankį jungiklis turi būti OFF padėtyje.** Pavojinga nešti įrankį laikant pirštą ant jungiklio ar jungti kištuką į lizdą, kai jungiklis padėtyje ON.
- d. **Prieš įjungdami elektrinį įrankį,**

**nuimkite raktus ar veržliarakčius.**

Galima susižaloti, jei jie bus palikti prie sukamųjų įrankio dalių.

- e. **Nepersiverkite. Stovėkite patogiai, tvirtai ir laikykite pusiausvyrą.** Šitai padės išvengti netikėtumų.
- f. **Dėvėkite tinkamus drabužius. Jie neturi būti laisvi. Nusiimkite visus papuošalus. Saugokite, kad plaukai, drabužiai ir pirštinės nepatektų į judančias detales.** Laisvi rūbai, papuošalai ar ilgi palaidi plaukai gali lengvai pakliūti tarp besisukančių dalių.
- g. **Jeį įrankiai sujungiami su dulkių ištraukimo ir surinkimo prietaisais, patikrinkite, ar jie tinkamai prijungti ir naudojami.** Naudojant tokius prietaisus mažėja dulkių sukeliama nelaimingų atsitikimų rizika.

### Elektrinio įrankio naudojimas ir priežiūra

- a. **Nespartinkite elektrinio įrankio, nenaudokite jėgos. Naudokite įrankius pagal paskirtį.** Bet kokį darbą su tinkamu pagal numatytą paskirtį įrankiu atlikite lengviau, saugiau ir kokybiškiau.
- b. **Nenaudokite įrankio, jei neveikia jungiklis.** Pavojinga dirbti su tokiu įrankiu, sutaisykite jį.
- c. **Prieš reguliuodami, keisdami priedus ar palikdami įrankį ilgiam laikui, ištraukite kištuką iš maitinimo lizdo ir/ar baterijos bloko.** Taip elektrinis įrankis neįsijungs netikėtai.
- d. **Elektrinius įrankius saugokite nuo vaikų ir neleiskite jais naudotis asmenims, nemokantiems juo naudotis ar nesusipažinusiems su naudojimo ir saugos instrukcijomis.** Tai pavojinga.
- e. **Tinkamai prižiūrėkite įrankius. Tikrinkite visas judančias dalis, ar jos neatsilaisvino, nesulankstytos, nesulūžę ir pan. Jei detalės nėra**

### **tinkamos būklės, įrankį sutaisykite.**

Daug nelaimingų atsitikimų įvyksta naudojant netvarkingus įrankius.

- f. **Pjovimo įrankiai turi būti pagalasti ir švarūs.** Tinkamai prižiūrimais pjovimo įrankiais su aštriomis geležtėmis dirbti lengviau ir jie rečiau susilanksto.
- g. **Naudokite elektrinius įrankius, priedus, antgalius ir t.t. pagal naudojimo instrukcijas ir jų paskirtį, atsižvelgiant į darbo sąlygas bei atliekamą darbą.** Pavojinga naudoti įrankius ne pagal jų numatytą paskirtį.
- h. **Atliekant darbus, kada instrumentai gali pasiekti paslėptas instaliacijas ar savo paties laidą, laikykite už izoliuotų paviršių.** Instrumentui susilietus su laidu, kuriuo teka įtampa, ji gali pereiti per elektrinį įrankį ir sukelti dirbančiajam elektros šoką.

### **Akumuliatorinio įrankio naudojimas ir priežiūra**

- a. **Įkraukite tik gamintojo nurodytu įkrovikliu.** Naudojant kito akumuliatoriaus įkroviklį galima sukelti gaisrą.
- b. **Įrankius naudokite tik su jam skirtu baterijų bloku.** Naudojant kito įrankio bloką galima sukelti gaisrą.
- c. **Kai baterijos nenaudojamos, jas reikia laikyti atokiai nuo kitų metalinių daiktų, pavyzdžiui, sąvaržėlių, monetų, raktų, vinių, varžtų ar kitų mažų metalinių daiktų, kurie galėtų sujungti gnybtus.** Įvykus trumpam jungimui, galima nudegti ar sukelti gaisrą.
- d. **Netinkamai naudojant, iš akumuliatoriaus gali išsilieti skystis; venkite sąlyčio su juo. Jei patenka ant odos, plaukite vandeniu. Jei patenka į akis, kreipkitės į gydytoją.** Iš akumuliatoriaus/baterijų išsiliejęs skystis gali dirginti ir nudeginti.

### **Aptarnavimas**

- a. **Elektrinius įrankius turi taisyti kvalifikuotas specialistas, naudojantis tik originalias atsargines detales.** Tokiu būdu įrankis bus tinkamai prižiūrimas ir naudojamas.

### **SPECIALŪS SAUGOS NURODYMAI**

#### **Gražtų ir suktuvų naudojimo saugos nurodymai**

**Naudokite tinkamus paslėptų darbo vietoje elektros laidų ir pan., jei tokių yra, paieškos prietaisus arba kreipkitės į vietos komunalinių paslaugų tiekėjus.** Užkliudžius ar pažeidus elektros laidus, galima sukelti gaisrą ir elektros šoką. Pažeidus dujų vamzdynus, galima sukelti sprogimą, o sugadinus vandentiekio linijas, galima užlieti vandeniu ir sugadinti turtą arba sukelti elektros šoką.

**Jei užstringa įrankio įdėklas, nedelsiant išjunkite įrankį. Saugokitės didelio reakcinio sukimo momento, kuris gali sukelti atatrangą.** Įrankio įdėklas užstringa dėl:

- elektrinio įrankio perkrovos
- arba kliūčių dirbinyje.

**Tvirtai laikykite įrankį.** Įsukant ir išsukant varžtus galimas trumpas reakcinio sukimo momentas.

**Suspauškite dirbinį spaustuvais.** Taip saugiau, nei laikyti jį rankomis.

**Dirbinys turi būti švarus.** Susidarę medžiagų mišiniai yra ypač pavojingi. Lengvų lydinų dulksės gali užsidegti ir sprogti.

**Prieš padėdami įrankį į šalį, palaukite, kol jis visiškai sustos.** Įrankio įdėklas gali

užstrigti ir įrankį bus sunku suvaldyti.

**Saugokite, kad įrankis neįsijungtų netikėtai.** Prieš įdedant baterijų bloką, jungiklis turi būti OFF padėtyje. Pavojinga nešti įrankį laikant pirštą ant jungiklio ar dėti baterijų bloką, kai jungiklis padėtyje ON.

### Įkroviklių naudojimo saugos nurodymai



Skirta naudoti tik patalpoje.



Dviguba izoliacija.

**Saugoti įkroviklį nuo vandens ir drėgmės.** Vanduo patekęs į elektrinį įrankį gali sukelti elektros šoką.

**Nekraukite kitų akumuliatorių.** Įkroviklis skirtas tik įkrauti prie elektrinio įrankio pridedamą akumuliatorių. Nesilaikant šio reikalavimo, galima sukelti gaisrą ir sprogimą.

**Įkroviklis turi būti švarus.** Nešvarumai gali tapti elektros šoko priežastimi.

**Prieš naudojimą, kiekvieną kartą patikrinkite įkroviklį, jo laidą ir kištuką. Jei randate bet kokių pažeidimų, įkroviklio nenaudokite. Nemėginkite ardyti įkroviklio. Visus remonto darbus turi atlikti tik kvalifikuotas specialistas.** Elektros šoko rizika padidėja, naudojant netinkamos būklės įkroviklius, pažeistais laidais ar kištukais.

**Nenaudokite įkroviklio ant degių paviršių (pvz., popieriaus, tekstilės ir**

**pan.) ar degioje aplinkoje.** Krovimo metu įkroviklis įkaista, todėl tokioje aplinkoje gali kilti gaisras.

**Draudžiama vaikams žaisti su įkrovikliu.**

### INFORMACIJA APIE VIBRACIJĄ

#### Vibracijos lygis

Vibracijos sklaidos lygis nurodytas šiose instrukcijose matuojamas pagal EN 60745 standartizuotus bandymus. Matavimų rezultatus galima panaudoti lyginant vieną įrankį su kitu ir vertinant vibracijos poveikį, kai įrankis naudojamas pagal paskirtį. Vibracijos poveikis gali būti didesnis, jei įrankis naudojamas ne pagal paskirtį, su kitais ar netvarkingais priedais.

Vertinant vibracijos poveikį taip pat reikia atsižvelgti į tai, kiek kartų įrankis išjungiamas ar veikia tuščiai, kadangi tai gali gerokai sumažinti vibracijos poveikį apskaičiuojamą per visą darbo laiką.

Nuo vibracijos poveikio galite apsisaugoti tinkamai prižiūredami įrankius ir jų priedus, darbo vietą bei pasirūpindami, kad rankos visada būtų šiltos.

### SURINKIMAS

Prieš pradėdami įrankio remonto ar priežiūros darbus, taip pat gabenant bei saugant jį, nustatykite sukimo krypties jungiklį ties centru. Atsitiktinai įjungus jungiklį-gaiduką galima susižeisti.

#### Akumulatoriaus įkrovimas

#### Suktuvo/grąžto įkrovimas

Kai įkroviklis prijungtas prie elektros energijos tinklo, užsidega raudonas indikatorius. Jis šviečia, kol akumuliatorius įkraunamas (8).

Įprastai naudojant įrankį galima įkrauti kelis šimtus kartų.

**DĖMESIO!** Įkraunamas akumuliatorius įkaista.

**Pastaba:** Suktuvo akumuliatorius įkrautas tik iš dalies, todėl prieš naudojant jį reikia visiškai įkrauti.

Pirmiausia, perskaitykite saugos instrukcijas ir įkraukite pagal nurodymus. Įkiškite įkroviklio kištuką į suktuvo/grąžto lizdą. Įjunkite įkroviklį į maitinimo lizdą. Laidas turi būti tiesus, nesusisukęs, neperlenktas, be mazgų.

Įkroviklio transformatorius skirtas būtent šiam akumuliatoriui.

**NIEKADA** nenaudokite šio įkroviklio įkrauti kitų gamintojų belaidžius įrankius ar akumuliatorius.

Akumuliatorius per tam tikrą laiką išsikrauna, net nenaudojant įrankio.

Elektroninių elementų apsauga (ECP) apsaugo ličio jonų akumuliatorių nuo visiško išsikrovimo. Kai akumuliatorius išsenka, įrankį išjungia apsauginė grandinė: įrankis nustoja sukintis.



**ĮSPĖJIMAS! Nespauskite krypties pirmyn/atgal keitimo jungiklio, jei įrankis automatiškai išjungiamas. Galite sugadinti akumuliatorių.**



**ĮSPĖJIMAS! Įkraukite akumuliatorių ant nedegaus paviršiaus. Akumuliatorius turi būti įkraunama neilgiau kaip 8 val. Raudona lemputė**

užges, kai akumuliatorius bus visiškai įkrautas.

Išjunkite laidą ir laikykite įkroviklį tinkamoje vietoje, kai nenaudojate.

Nereikėtų krauti akumuliatoriaus, kai temperatūra nukrenta žemiau nulio.

**Norėdami išimti akumuliatorių iš įrankio, spauskite jungiklį (4), kol akumuliatorius visiškai išsikraus.**

**Atsukite korpuso varžtus ir nuimkite jį.** Atjunkite akumuliatoriaus jungtis ir išimkite akumuliatorių (žr. A pav.).

## NAUDOJIMO INSTRUKCIJOS

### Greičio reguliavimas

Greitis reguliuojamas nuo nulio iki didžiausio atitinkamai spaudžiant jungiklį-gaiduką.

### Sukimo krypties keitimas

Sukimo kryptį galima keisti selektoriumi virš jungiklio-gaiduko.

Norėdami fiksuoti jungiklį-gaiduką, nustatykite selektorių ties viduriu tarp dešinės ir kairės pasirinkties.

### Veržimo momento reguliavimas

Nustatykite norimą sukimo momento reguliatoriaus padėtį. Padėtys nuo 1 iki 15 naudojamos įsukti/atsukti varžtus (kuo didesnė reikšmė, tuo stipresnis veržimo momentas). Prieš naudojant įrankį gręžimo darbams atlikti, pasirinkite grąžto simbolį.

### Griebtuvas be rakto

Grąžto griebtuvui nereikalingas raktas, todėl galite be vargo suveržti ar atlaisvinti grąžtus/antgalius.

Norėdami atidaryti/uždaryti griebtuvą, laikykite galinį žiedą ir sukite priekinę movą.



## **ĪSPĒJIMAS: GALIMA PRISISPAUSTI**

Negalima laikyti priekinės griebtuvu movas viena ranka ir tuo pat metu atidaryti ar uždaryti griebtuvu gnybtų gražto/suktuvo varikliu.

### **Gražto/antgalio įstatymas**

Nustatykite gražto/atsuktuvo jungiklį/gaiduką ties viduriu.

Nustatykite griebtuvu angą taip, kad ji būtų šiek tiek didesnė už naudojamo gražto galvutę.

Įdėkite antgalį į griebtuvą.

Suveržkite griebtuvą, kaip aprašyta aukščiau (Griebtuvas be rakto).

### **PRIEŽIŪRA IR VALYMAS**

Prieš atlikdami bet kokius darbus su prietaisais (pvz., techninės priežiūros darbus, keisdami įrankį ir pan.), taip pat gabendami ir palikdami laikymo vietoje, nustatykite sukimo krypties dešinien/kairėn pasirinkimo jungiklį vidurinėje padėtyje. Atsitiktinai įjungus jungiklį, galima susižeisti. Kad darbas būtų atliekamas saugiai ir tinkamai, prietaisais ir jo vėdinimo angos visada turi būti švarios.

### **SAUGAUS GAMTAI ATLIEKŲ TVARKYMO NURODYMAI**

#### **Saugokime gamtą**

Informacija (buitiniams vartotojams) apie atsakomybę už saugų gamtai atliekų tvarkymą pagal direktyvą dėl elektrinių ir elektroninių atliekų.



Šiuo ženklu pažymėtų elektrinių ir elektroninių gaminių negalima sunaikinti kaip buitinių atliekų. Siekiant užtikrinti,

kad tokie gaminiai bus tinkamai sunaikinti, valomi, panaudojami ar perdirbami, prašome pristatyti juos į specialius surinkimo punktus, kur juos priims be jokio mokesčio. Kai kuriose šalyse gali būti prašoma gražinti juos pardavėjui įsigyjant naujus tokius pačius gaminius. Tinkamai tvarkant tokias atliekas, tausojami išteklių ir nuo šalutinių poveikių, kurių galima tikėtis aplaidžiai juos naudojant ir sunaikinant, žmogaus sveikatai ir aplinkai. Dėl informacijos apie artimiausius surinkimo punktus prašome kreiptis į vietos institucijas. Pagal šalies įstatymus gali būti numatytos baudos už netinkamą tokių atliekų tvarkymą.

#### **Sugadintų ar išsekusių baterijų atliekų tvarkymas**

Panaudotų baterijų negalima tvarkyti kaip buitinių atliekų. Pagal aplinkosaugos reikalavimus panaudotos ar sugedę baterijos turi būti pristatomos į baterijų surinkimo vietas ar jų atliekų tvarkymo įmones. Pažeidus šiuos reikalavimus, galimos baudos.

#### **Informacija apie atliekų tvarkymą vartotojams ne Europos Sąjungos šalyse**



Šis ženklas galioja tik Europos Sąjungos šalyse. Jei norite sunaikinti šiuos gaminius, dėl informacijos apie tinkamus atliekų tvarkymo būdus prašome kreiptis į vietos institucijas ar platintoją.



**FIXA 费克莎 螺丝刀/电钻, 7.2V锂电池****技术参数：**

**电压/电池类型：**7.2V锂电池

**最大转速（无负荷转速）：**0-400rpm

**最大扭矩：**5 Nm

**钻头固定器：**6mm (1/4")

**夹盘：**10mm (3/8"), 无键，快速装卸夹盘

**充电器：**本地电源电压

**充电时间：**3-8小时

**其他信息：**可调节扭矩

**震动（符合EN 60745-1, EN 60745-2-1, EN 60745-2-2）**

钻入金属： $a_{h,D} = 0.945 \text{ m/s}^2$ ,  $K = 1.5 \text{ m/s}^2$

钻拧螺丝，不产生影响： $a_h = 0.564 \text{ m/s}^2$ ,

$K = 1.5 \text{ m/s}$

**噪音（符合EN 60745-1:2009,**

**EN 60745-2-1:2010, EN 60745-2-2:2010）**

噪音压力水平 $L_{pa} = 63.6 \text{ dB (A)}$ ,  $K_{pa} = 3 \text{ dB (A)}$

噪音压力水平 $L_{wa} = 74.6 \text{ dB (A)}$ ,  $K_{wa} = 3 \text{ dB (A)}$

**组件：**

下列编号与图示对应

1. 无键夹盘
2. 扭矩调节器
3. 左右旋转选择开关
4. 无限变速控制器/扳机
5. 充电器
6. 充电器插头
7. 充电器插座
8. 充电器指示器
9. 螺丝刀钻头固定器

**用途**

此无线电钻/螺丝刀可用于在木材、金属、塑料和陶瓷材料上钻孔，也可用来拧/卸螺丝。

**基本安全说明****电动工具的基本安全说明**

**警告！**



**阅读所有说明。**阅读所有说明。如果未能遵照以下说明操作，可能引起触电、着火和/或严重受伤。

**请保留这些说明。**

以下警告里所说的“电动工具”是指插上电源有线电动工具或由电池供电的无线电动工具。

**工作区域安全**

- a. **请保持工作区域干净且光线充足。**杂乱昏暗的区域可能会引起意外事故。
- b. **不要在易爆的环境下使用电动工具，如易燃液体、气体或粉尘中。**动力工具会产生火花，产生浓烟。
- c. **当您在操作电动工具时，让孩子和旁观者离得远一点。**分心会使您在操作时失去控制。

**用电安全**

- a. **电动工具插头必须与插座匹配。**不要动插头作任意改动。**不要使用接地的适配器插头。**未经改动的插头和匹配的插座会降低电击危险。
- b. **避免身体直接接触接地表面，如管道、散热器、火炉和冰箱。**如果身体接地，可能会增加触电危险。
- c. **不要将电动工具暴露在雨中或潮湿环境里。**如果工具进水，会增加触电危险。
- d. **不要滥用电线。**不能用电线提东西，不能拉电线，也不能拉着电线拔出插头。电线应远离热源、油、锋利边缘或移动的物体。电线损坏或胡乱缠绕会增加触电的危险。
- e. **当您在户外操作动力工具时，请使用适合户外使用的加长电线。**用适合户外使用的电线会降低触电的危险。
- f. **如果您必须在潮湿环境中使用工具，请与残余电流断路器设备并用，降低触电危险。**

### 个人安全

- a. 请保持警惕，注意您在做的事情，根据常识来操作电动工具。当您疲惫或在药力、酒精作用下，请不要使用电动工具。一时的疏忽可能造成严重受伤。
- b. 使用安全设备。始终佩戴护目镜。防尘面具、防滑安全鞋、安全帽或听力保护装置等安全设备会减小个人伤害。
- c. 避免意外开启工具。连接电源前，请确保开关处在关闭位置。手指放在开关上提携工具或连接电源时开关处于开启状态，都可能引起意外事故发生。
- d. 电动工具开启前，应移除所有定位键或扳手。与电动工具旋转部分连接的扳手或定位键可能会造成个人伤害。
- e. 请保持一定的距离。留出一定的空间和余地，这样在意外情况发生时能更好的控制工具。
- f. 请注意您的穿着。不要穿宽大的衣服或佩戴首饰。将您的头发、衣物和手套都远离活动不见。
- g. 如提供连接除尘设备的装置，请确保这些装置妥善连接和使用。使用这些装置能降低灰尘引起的危险。

### 电动工具的使用和保养

- a. 不要使工具超负荷运作。应该为您的任务选择合适的电动工具。合适的电动工具工作完成得更出色、更安全。
- b. 如果开关失灵，请勿使用工具。任何不能控制开关的电动工具都非常危险，必须立即维修。
- c. 调节、更换部件或是储存电动工具时，必须将电线拔掉。这样的安全措施会降低以外开启动力工具的危险。
- d. 不用的电动工具应该远离儿童放置，不要让任何不熟悉电动工具或操作方法的人使用工具。否则会很危险。
- e. 电动工具的保养。检查活动部件是否有不对准或连接问题，是否有破损部件或任何影响电动工具操作的问题。如有损坏，使用前，应立即让专人维修。很多意外事故都是由保养不当而引起的。
- f. 切割工具应保持锋利、干净。妥善保养的切割工具有锋利的边刃，比较容易控制。
- g. 请根据这些说明使用电动工具、配件或工具钻头，特定的工具应该用作特定的用途，并且要考虑到工作条件和工作任务。如用作其他用途，可能造成危险。

- h. 进行操作时，如果切割配件可能接触隐藏的电线或其自身的电线，请佩戴绝缘手套来持握电动工具。切割配件如果接触到通电的电线，可能会使操作者触电。

### 电池工具的使用和保养

- a. 只能使用制造商指定的充电器进行充电。适合某种电池的充电器如果用到另一种电池上，可能会有起火的危险。
- b. 仅允许使用指定的电池组操作电动工具。使用其他电池组可能造成意外伤害，甚至引发火灾。
- c. 电池组闲置不用时，请确保其远离其他金属物体，例如纸夹、硬币、钥匙、指甲钳、螺钉或者其它小型金属物体，以免在电池组正负极之间构成连接，导致电池短路。电池短路会引发燃烧或者火灾。
- d. 电池若有损坏，里面的液体可能会流出，请勿接触。如不慎接触，请立即用水冲洗。如液体进入眼睛，还应就医。电池中流出的液体可能会起火燃烧。

### 服务

- a. 请找有资质的专业人士进行修理，并使用原装的替换零件。  
这能确保电动工具保持功能正常。

### 与机器相关的安全说明

#### 钻头与螺丝刀安全警告

使用适合的检测器，确定工作区是否有公共工程线路，或致电当地的公共工程公司求助。接触电线可能导致起火和触电。损坏输气管道会导致爆炸。穿透水管会损坏财产或导致触电。

如果工具插件卡住，请立即关闭电动工具。请小心反作用扭力可能导致的反冲。发生以下情况时工具插件会卡住：

- 电动工具有可能超负荷，插入工件中。

紧紧握住机器。推入钻头和拧松螺丝时会短暂产生

很大的反作用扭力。

**固定工件。**用夹子或钳子固定工件比用手更牢靠。

**保持工作空间整洁。**各种材料的混合物尤为危险。轻合金粉尘易燃易爆。

**务必等机器完全停止再进行放置。**工具插件会卡住，导致对电动工具失去控制。

**避免不小心打开机器。**插入电池前确保开关处于关闭状态。搬动电动工具时手指放在开关上，或在开关打开时插入电池都可能引发事故。

### 电池充电器安全警告



只能在室内使用。



双层绝缘。

**电池充电器应防雨防潮。**充电器进水会增加触电风险。

**不要用于其他电池。**充电器仅适用于电动工具所附的电池，否则可能起火和发生爆炸。

**保持充电器清洁。**污物也可能引发触电。

**每次使用前，检查电池充电器、电线和插头。若发现损坏，则不要使用充电器。禁止自行打开充电器。只有合格的技师才能进行维修。**损坏的充电器、癫痫和插头会增加触电风险。

**不要把充电器放在易燃表面（如纸张、纺织品等）上或易燃物周围。**充电时产生的热量可能引燃物体

**看管好儿童，确保他们不会把充电器当玩具。**

### 震动信息

### 震动水平

此手册中说明的震动水平是根据EN 60745中的标准测试来测量的；可以作为工具间比较的标准，并作为使用工具进行所述任务的初步评估标准。若此工具用于不同的用途或配合使用不同的或保养不当的配件，可能会大大提高震动水平。

当工具处于关闭状态或处于非工作的运行状态下，可能会降低震动等级。

请保养工具和配件，保持双手温暖，并整理您的工作模式，保护自己免受震动的影响。

### 组装

在对机器进行任何操作前（比如，保养、更换工具等）和储存和运输的过程中，请将旋转方向开关置于中间位置。不小心启动电源开关可能会导致受伤。

### 电池充电

#### 为螺丝刀/钻子充电

充电器与电源连接后，螺丝刀上/钻子的红灯会亮起。充电过程中，红灯会一直保持点亮状态（8）。正常使用情况下，螺丝刀可重复充电几百次。

**警告！**充电过程中电池会发热。

**注意：**螺丝刀自带的电池仅经过充电测试，未充满电，因此，首次使用前需完全充电。

使用前，请先阅读安全说明和安装说明。将充电插头插入螺丝刀/钻子中的插座。然后再接通电源。请务必确保电线没有打结或弯折。

充电器的变压器和电池是配套的，不可分开使用。

请勿用该充电器对其他品牌的无线工具或电池进行充电。

充满电后，即使不用，一段时间后，电池的电量也

会逐渐减少，直至没有。  
锂电池配有电子元件保护（ECP），不会深度放电。当电池电量为零时，保护电路将自动关机。螺丝刀将停止运转。



**警告！自动关机后请不要继续按前进/后退开关。这样会损害电池。**



**警告！请在非可燃表面上给电池充电。充电时间不得超过8小时。**充电完成后，红灯将熄灭。拔出电线，将充电器放置在合适的地方。

**请不要在低于零度的环境下充电。**

**移除电池时，请按住开关（4）直到电池卸下。**卸下电池盒的螺丝，并移除盒盖。解开电池的连接，取下电池（见图A）。

## 使用说明

### 调节轴速

不同通过改变对扳机施压的大小将轴速从0调节到最大。

### 改变转向

您可以使用扳机上面的选择器来改变转向。  
要锁定扳机，将选择器调节到左右选项的中间位置。

### 调节扭力

将扭矩调节到理想位置。设定1-15，用于拧紧/拧松螺丝（数值越高，扭力越大）。使用钻头工具前，先选择钻头符号。

### 无键夹盘

您的电钻含有一个无键夹盘，方便您装卸钻头/螺丝刀头。  
拉住背后的环，旋转前套，即可打开或关闭夹盘。



**警告：夹伤危险**

利用电钻/螺丝刀马达打开或关闭夹盘爪的同时，请勿用一只手握住夹盘的前套。

## 安装电钻/螺丝刀钻头

将电钻/螺丝刀的扳机调到中间位置。

调节夹盘，直至开口稍大于要使用的钻头直径。

将钻头放入夹盘中。

将钻头紧紧固定在夹盘中，如上所述（无键夹盘）。

## 维护和清洁

对机器进行任何操作前（例如：维护、工具更换等等），以及运输和存放时，请将旋转选择器拨至中央位置的右侧/左侧。无意触发装置可能造成受伤。为确保工作安全顺畅，请保持机器及通风槽清洁。

## 环保处理说明

### 帮助保护环境

对于家庭，关于环保、安全地处理电气和电子设备的信息，请参照WEEE指令（废旧电器电子设备指令）。



电器和电子产品上的该符号以及产品所附的相关文件，表示该类产品不能与普通家庭垃圾一起丢弃。该类产品必须送去指定的回收点免费回收、处理和再次循环使用。在一些国家，也可以将产品送回出售点，购买新的替代产品。通过正确处理此产品，您可以在帮助保护珍贵的自然资源，并减少因不负责任地处理和管理垃圾而对人类健康和环境造成的负面影响。请联系当地相关部门，咨询关于本地WEEE回收点的信息。根据法律，未经许可，擅自胡乱处理此类废弃物，可能会被罚款或受到其他惩罚。

### 废旧电池的处理

废旧电池不能与普通家庭垃圾一起处理或丢弃。根

据法律，废旧电池必须送去电池回收处或电池管理公司。如不能遵守这些规定，您可能被罚款或受到其他处罚。

#### 欧盟以外国家用户应了解的垃圾处置信息



该标记仅用于欧盟内部。请联系本国的相关机构或零售商，获取正确处置该产品的相关信息。

## ส่วนไขควงรุ่น FIXA/ฟิสิก้า แมตเตอร์ Li-Ion 7.2V

### ข้อมูลจำเพาะทางเทคนิค

ชนิดของแบตเตอรี่: แบตเตอรี่ลิเทียมไอออน 7.2 โวลต์  
ความเร็วสูงสุดขณะหมุนเปล่า: 0-400 รอบต่อนาที

แรงบิดสูงสุด: 5 Nm

ลูกบอล: 6 มม. (1/4 นิ้ว)

หัวจับดอกสว่าน: quick-fit/quick-release 10 มม.

(3/8 นิ้ว) ไม่ใช่จำปา

ที่ชาร์จ: ใช้กับไฟบ้าน

เวลาชาร์จ: 3-8 ชั่วโมง

ข้อมูลอื่นๆ: ปรับแรงบิดได้

แรงสั่นสะเทือน (ตามมาตรฐานยุโรป EN 60745-1, EN 60745-2-1, EN 60745-2-2)

เจาะเหล็ก:  $a_{h,D} = 0.945 \text{ m/s}^2$ ,  $K = 1.5 \text{ m/s}^2$

ขันสกรูไม่ใช่แรงกระแทก:  $a_{h,0} = 0.564 \text{ m/s}^2$ ,

$K = 1.5 \text{ m/s}^2$

ระดับเสียง (ตามมาตรฐานยุโรป EN 60745-1)

แรงดันเสียง:  $L_{pa} = 63.6 \text{ dB (A)}$ ,  $K_{pa} = 3 \text{ dB (A)}$

กำลังเสียง:  $L_{wa} = 74.6 \text{ dB (A)}$ ,  $K_{wa} = 3 \text{ dB (A)}$

### ส่วนประกอบ

ส่วนประกอบต่างๆ ระบุหมายเลขตามที่แสดงในภาพ

1. หัวจับดอกสว่านแบบไม่ใช่จำปา
2. หัวปรับค่าแรงบิด
3. ปุ่มปรับหมุนซ้าย-ขวา
4. โกลสว่าน/ ปุ่มควบคุมความเร็วรอบหมุน
5. ที่ชาร์จ
6. ปลั๊กที่ชาร์จ
7. ช่องเสียบชาร์จ
8. ไฟสถานะการชาร์จ
9. ลูกบอลกั๊กจับดอกไขควง

### วัตถุประสงค์การใช้งาน

ส่วนไขควงไร้สายใช้สำหรับเจาะไม้ โลหะ พลาสติก และเซรามิก และใช้ขันและคลายสกรู

## ข้อปฏิบัติทั่วไปเพื่อความปลอดภัย

### คำแนะนำทั่วไปเพื่อความปลอดภัย



คำเตือน!



อ่านและปฏิบัติตามคู่มือและคำแนะนำ

ทั้งหมด การไม่ปฏิบัติตามหรือการละเลยข้อปฏิบัติที่กำหนดไว้ อาจก่อให้เกิดอุบัติเหตุไฟดูด ไฟไหม้ และ/หรือการบาดเจ็บสาหัส

เก็บเอกสารคำเตือนและคำแนะนำทั้งหมดไว้ เพื่อใช้เป็นข้อมูลอ้างอิงต่อไป

คำว่า "เครื่องมือไฟฟ้า" ที่ปรากฏในเอกสารคำเตือนทั้งหมดนี้ หมายถึงเครื่องมือไฟฟ้าชนิดมีสายไฟเสียบกับเต้ารับของไฟบ้าน รวมถึงไปถึงเครื่องมือไฟฟ้าไร้สายที่ทำงานด้วยแบตเตอรี่

### ความปลอดภัยในที่ทำงาน

1. รักษาความปลอดภัยของที่ทำงาน และจัดให้มีแสงสว่างเพียงพอ ที่ทำงานที่มีด รก รังหรือไม่เป็นระเบียบสามารถก่อให้เกิดอุบัติเหตุได้ง่าย
2. ห้ามใช้เครื่องมือไฟฟ้าในสภาพแวดล้อมที่อาจเกิดระเบิดได้ เช่น ในที่มีมีของเหลวไวไฟ ก๊าซหรือฝุ่นละออง เพราะขณะใช้งานเครื่องมือจะก่อประกายไฟ ซึ่งอาจทำให้ฝุ่นละอองในบริเวณนั้นติดไฟและลุกไหม้ขึ้นได้
3. ขณะใช้เครื่องมือ ควรให้เด็กและบุคคลอื่นอยู่นอกบริเวณที่ปฏิบัติงาน การเสียสมาธิขณะทำงาน อาจก่อให้เกิดอุบัติเหตุได้

### ความปลอดภัยในการใช้เครื่องมือไฟฟ้า

1. ปลั๊กของเครื่องมือไฟฟ้าต้องเข้ากับเต้ารับที่เข้ากันได้ ห้ามดัดแปลงแก้ไขปลั๊กไม่ว่าด้วยวิธีใด ห้ามใช้อะแดปเตอร์ต่อกับเครื่องมือไฟฟ้าที่มีสายดิน การใช้ปลั๊กไฟและเต้ารับชนิดที่ถูกต้องเข้ากันได้ ช่วยลดโอกาสเสี่ยงที่จะเกิดไฟฟาดูด
2. หลีกเลี่ยงการสัมผัสกับพื้นผิวที่ทำให้เกิดไฟดูดได้ง่าย เช่น ท่อ เครื่องทำความร้อน เตา และตู้เย็น เพราะเมื่อร่างกายหรืออวัยวะสัมผัสกับพื้นผิวเหล่านี้ ทำให้ไฟฟ้าไหลครบวงจร และเกิดไฟดูดได้

3. เก็บเครื่องมืออย่าให้เปียกฝนหรืออยู่ในสภาพเปียกชื้น ถ้านำเข้าเครื่อง จะยิ่งทำให้มีความเสี่ยงสูงที่จะถูกไฟดูด
4. ใช้สายไฟอย่างถูกต้อง ห้ามหิ้วเครื่องมือโดยวิธีที่สายไฟ ห้ามดึงสายไฟเพื่อดึงเครื่องมือเข้าหาตัว และห้ามกระชากสายไฟเพื่อถอดปลั๊ก เก็บสายไฟให้พ้นจากความร้อน น้ำมัน ของมีคม หรือเครื่องจักรที่กำลังหมุนหรือเคลื่อนไหว สายไฟที่ชำรุดเสียหายหรือพันกัน ทำให้มีความเสี่ยงสูงที่จะถูกไฟดูด
5. เมื่อนำเครื่องมือไปใช้บนรถบรรทุกหรือกลางแจ้ง ให้เลือกใช้สายต่อพ่วงที่เหมาะสมสำหรับใช้งานภายนอก เพื่อลดความเสี่ยงของการเกิดไฟฟ้าดูด รวมทั้งใช้เบรกเกอร์ป้องกันไฟรั่วไฟดูด (residual circuit breaker device)
6. ไม่แนะนำให้ใช้เครื่องมือในที่เปียกชื้น แต่หากหลีกเลี่ยงไม่ได้ ให้ใช้เครื่องตัดกระแสไฟ RCD เพื่อป้องกันไฟดูด

#### ความปลอดภัยส่วนบุคคล

1. ต้องมีสติและตื่นตัวอยู่เสมอ ห้ามละสายตาจากงานที่ทำ ห้ามใช้เครื่องมือจนรู้สึกเหน็ดเหนื่อย อ่อนเพลีย มีนเมาหรือขณะใช้ยา การเหม่อลอย หรือขาดสติเพียงชั่วครู่อาจก่อให้เกิดอันตรายหรือการบาดเจ็บรุนแรงต่อผู้ใช้งานได้
2. ใช้อุปกรณ์เพื่อความปลอดภัยให้เหมาะกับงานที่ทำ เช่น หน้ากากกันฝุ่น รองเท้าและหมวกนิรภัย ที่อุดหู และสวมแว่นตานิรภัยตลอดเวลาที่ใช้เครื่องมือ
3. ก่อนเปลี่ยนปลั๊ก ตรวจสอบว่าสวิตช์เครื่องปิดอยู่ เพื่อป้องกันการกดปุ่มเปิดโดยไม่ได้ตั้งใจ การถือเครื่องมือโดยวางนิ้วไว้บนไกสวิตช์หรือเปิดสวิตช์ก่อนเปลี่ยนปลั๊ก เป็นการกระทำที่ก่อให้เกิดอันตรายและอุบัติเหตุได้
4. ถอดประแจหรือจ่าปาชันออกก่อนเปิดใช้เครื่องมือ การปล่อยจ่าปาติดไว้กับเครื่องมือที่กำลังหมุน อาจก่อให้เกิดอันตรายได้
5. ขณะใช้เครื่องมือ อย่าเอื้อมหรือยื่นแขน เพราะอาจทำให้เสียหลักได้ง่าย ควรยืนเต็มเท้าให้ถนัด และทรงตัวได้ดี หากเกิดสถานการณ์ที่ไม่คาดคิด ก็ยังสามารถควบคุมเครื่องมือได้
6. แต่งกายให้เหมาะสม ห้ามสวมเครื่องแต่งกายที่หลวมหรือรุ่มร่าม ถ้าผมยาวควรรวบขึ้นให้หมด ระวังผม เครื่องแต่งกายหรือถุงมือถูกดึงเข้าไปพันในเครื่อง
7. ถ้ามีอุปกรณ์เสริมที่ใส่ชุดฝุ่นหรือเก็บฝุ่นให้มา

ด้วย ต้องต่ออุปกรณ์นั้นเข้ากับเครื่องมือให้ถูกต้อง การใช้อุปกรณ์นี้จะช่วยลดอันตรายจากฝุ่นละออง

#### การใช้งานและการดูแลรักษาเครื่องมือไฟฟ้า

1. อย่าใช้เครื่องมือผิดประเภท เลือกใช้เครื่องมือให้เหมาะกับลักษณะงานที่ทำ เพื่อความปลอดภัยในการทำงานและเพื่อให้ได้ชิ้นงานที่มีคุณภาพตามต้องการ
2. ห้ามใช้เครื่องมือ หากสวิตช์เปิดปิดเสียหรือไม่เป็นปกติ ต้องส่งซ่อมทันที การฝืนใช้งานต่อก่อให้เกิดอันตรายได้
3. ถอดปลั๊กไฟออกทุกครั้ง ก่อนปรับค่าใดๆ หรือเปลี่ยนอุปกรณ์ของเครื่อง และถอดปลั๊กออกก่อนเก็บเครื่องมือ เพื่อป้องกันการเปิดเครื่องโดยไม่ได้ตั้งใจ
4. เมื่อไม่ใช้งาน ควรเก็บเครื่องมือให้พ้นมือเด็ก และห้ามผู้ไม่ชำนาญหรือไม่ทราบวิธีใช้ ใช้เครื่องมือนี้เด็ดขาด เพราะจะก่อให้เกิดอันตรายได้โดยง่าย
5. เก็บรักษาเครื่องมือให้อยู่ในสภาพดีเสมอเพื่อให้ใช้งานได้เป็นปกติ ตรวจสอบว่าชิ้นส่วนต่างๆ อยู่ในสภาพสมบูรณ์ ไม่แตกหักเสียหาย หรืออยู่ในสภาพที่อาจส่งผลกระทบต่อการใช้งาน ถ้าพบการชำรุดเสียหาย ให้ส่งซ่อมก่อนนำไปใช้ อุบัติเหตุหลายครั้งเกิดจากการใช้เครื่องมือที่เก็บอย่างไม่เหมาะสม
6. ควรรักษาอุปกรณ์ตัด (ในเลื่อยหรือคอกสวน) ในดีและสะอาดอยู่เสมอ การเก็บรักษาอย่างถูกวิธีจะช่วยให้อุปกรณ์ตัดมีความคม ควบคุมได้ง่าย และลดปัญหาการขีดข่วนหรือติดอยู่กับชิ้นงาน
7. ใช้เครื่องมือไฟฟ้า ดอกไขควง และอุปกรณ์เสริมต่างๆ อย่างถูกต้องตามที่ระบุไว้ในคู่มือคำแนะนำ โดยคำนึงถึงวัตถุประสงค์การใช้งานของเครื่องมือ นั้น สภาพแวดล้อมการทำงานและลักษณะงานที่ทำการใช้ตามวัตถุประสงค์อาจก่อให้เกิดอันตรายได้
8. ขณะใช้เครื่องมือ ถ้ามีเวลาสักพักเครื่องมือจะสัมผัสกับสายที่มีไฟ ให้จับเครื่องมือตรงบริเวณที่หุ้มฉนวน เพื่อป้องกันไฟดูด

#### การใช้งานและดูแลรักษาเครื่องมือที่ใช้แบตเตอรี่

1. ใช้เฉพาะที่ชาร์จที่ผู้ผลิตระบุให้ใช้กับเครื่องมือชนิดนั้น การใช้ที่ชาร์จที่ไม่ใช่ของเครื่องมือชิ้นนี้อาจทำให้เกิดไฟไหม้ได้
2. ใช้เครื่องมือกับแบตเตอรี่ชนิดที่ถูกต้อง การใส่แบตเตอรี่ไม่เหมาะสมอาจทำให้เกิดไฟไหม้หรืออาการบาดเจ็บได้

- เมื่อไม่ใช้แบตเตอรี่ ให้เก็บแบตเตอรี่ให้ห่างจากวัตถุอื่นที่เป็นโลหะ เช่น คลิปหนีบกระดาษ เหรียญ กุญแจ ตะปู สกรู หรือโลหะเล็กๆ ที่อาจสัมผัสกับขั้วแบตเตอรี่ จนทำให้เกิดการลัดวงจรของขั้วแบตเตอรี่ เป็นสาเหตุให้เกิดไฟไหม้ได้
- การใช้งานไม่ถูกต้องอาจทำให้แบตเตอรี่เยิ้ม ห้ามสัมผัสแบตเตอรี่และขของเหลวมัน หากของเหลวถูกผิวหนัง ให้ล้างออกด้วยน้ำสะอาดปริมาณมาก ถ้าเข้าตา ให้รีบไปพบแพทย์ของเหลวที่เยิ้มออกจากแบตเตอรี่ อาจก่อให้เกิดการระคายเคืองผิวหนังหรือเกิดแผลไหม้ได้

#### การซ่อมแซม

- ควรส่งซ่อมโดยช่างซ่อมผู้ชำนาญ และใช้เฉพาะชิ้นส่วนและอะไหล่ของแท้เท่านั้น เพื่อให้มั่นใจได้ในความปลอดภัยของเครื่องมือหลังการซ่อม

#### ข้อปฏิบัติเพื่อความปลอดภัย

##### คำเตือนเพื่อความปลอดภัย

ใช้อุปกรณ์ที่เหมาะสมเพื่อหาสายไฟ ท่อแก๊ส หรือท่อประปาที่อาจซ่อนอยู่ หรือติดต่อบริษัทที่ให้บริการในพื้นที่ มาตรวจสอบให้ เพื่อป้องกันการเจาะถูกสายเหล่านี้ การเจาะถูกสายไฟหรือท่อแก๊สอาจทำให้เกิดไฟไหม้ ถูกไฟดูด หรือเกิดระเบิดจากแก๊สรั่ว และการเจาะถูกท่อประปายังทำให้ทรัพย์สินเสียหายหรืออาจทำให้ถูกไฟดูดได้

ปิดสวิตช์เครื่องทันที หากดอกสว่านหรือไขควงติด ระวังการติดกลับที่อาจเกิดขึ้นได้จากแรงบิดของเครื่อง เครื่องมืออาจติดขัดได้ในกรณีนี้

ใช้เครื่องมือเกินกำลัง หรือดอกสว่านติดกับชิ้นงาน

จับเครื่องมือให้แน่น เพราะเครื่องอาจสะบัดขณะขันและคลายสกรู

ยึดชิ้นงานให้แน่น ควรใช้คีมหรือปากกาจับชิ้นงาน เพราะจับได้แน่นและปลอดภัยกว่าใช้มือจับ  
รักษาพื้นที่ทำงานให้สะอาดอยู่เสมอ การกองวัสดุรวมกันก่อให้เกิดอันตรายได้ง่าย เศษฝุ่นล็ดลอยอาจติดไฟและระเบิดได้

ให้อาจจนเครื่องหยุดสนิทก่อนค่อยวางเครื่องลง มิฉะนั้นอาจทำให้ดอกสว่านติด จนควบคุมเครื่องมือไม่ได้

ก่อนใส่แบตเตอรี่ ตรวจสอบว่าสวิตช์เครื่องปิดอยู่ เพื่อป้องกันการกดปุ่มเปิดโดยไม่ตั้งใจ การถือเครื่องมือโดยวางนิ้วไว้บนไกสวิตช์หรือเปิดสวิตช์ค้างไว้ก่อนเสียบปลั๊กหรือใส่แบตเตอรี่ เป็นการประมาทที่ก่อให้เกิดอันตรายและอุบัติเหตุได้

#### คำเตือนเพื่อความปลอดภัยในการใช้ที่ชาร์จ



สำหรับใช้งานภายในอาคารเท่านั้น



จำนวนคู่

อย่าให้ที่ชาร์จแบตเตอรี่เปียกฝน เปียกน้ำ หรือถูกความชื้น ถ้าที่ชาร์จเปียกจะทำให้ถูกไฟดูดได้ง่าย

ห้ามใช้ที่ชาร์จนี้ชาร์จแบตเตอรี่อื่น ที่ชาร์จเหมาะสำหรับชาร์จแบตเตอรี่ของเครื่องมือนี้เท่านั้น การฝืนใช้กับแบตเตอรี่อื่น อาจทำให้เกิดไฟไหม้หรือระเบิดได้

เก็บที่ชาร์จให้สะอาดอยู่เสมอ ที่ชาร์จที่สกปรกอาจทำให้เกิดไฟดูดได้

ก่อนใช้งาน ให้ตรวจสอบที่ชาร์จ สายไฟ และปลั๊กก่อนเสมอ ห้ามใช้งานเด็ดขาดหากชำรุด ห้ามแกะชิ้นส่วนที่ชาร์จเองเด็ดขาด ให้ส่งซ่อมโดยช่างผู้ชำนาญเท่านั้น ที่ชาร์จ สายไฟ และปลั๊กที่ชำรุด ทำให้ผู้ใช้ถูกไฟดูดได้ง่าย

ห้ามชาร์จไฟแบตเตอรี่บนพื้นผิวที่ติดไฟง่าย เช่น กระดาษ ผ้า ฯลฯ หรือในบริเวณที่ติดไฟง่าย เพราะความร้อนที่เกิดขณะชาร์จแบตเตอรี่อาจก่อให้เกิดประกายไฟ ทำให้เกิดไฟไหม้ได้

ห้ามเด็กเล่นที่ชาร์จแบตเตอรี่เด็ดขาด

#### คำเตือนสั้นๆ

#### คำเตือนสั้นๆ



ค่าความสั่นสะเทือนที่ระบุไว้ในคู่มือนี้ ได้รับการตรวจวัดตามการทดสอบมาตรฐานที่กำหนดไว้ใน EN 60745 ค่าความสั่นสะเทือนนี้อาจใช้ในการเปรียบเทียบระหว่างเครื่องมือแต่ละชิ้น และใช้เป็นค่าประเมินเบื้องต้นของแรงสั่นสะเทือนที่มีผลต่อผู้ใช้งาน ขณะใช้เครื่องมือทำงานดังที่ระบุไว้ การใช้เครื่องมือในลักษณะงานที่ต่างกัน หรือการใช้เครื่องมือคู่กับอุปกรณ์เสริมที่เก็บรักษาไม่ดีหรือเก็บรักษาด้วยวิธีที่แตกต่างกัน อาจทำให้แรงสั่นสะเทือนเพิ่มขึ้นมาก

เมื่อกดสวิตช์ปิดเครื่องมือ หรือเปิดแต่ยังไม่ได้ใช้ทำงาน แรงสั่นสะเทือนอาจลดลงมาก

ผู้ใช้ควรป้องกันแรงสั่นสะเทือนที่ส่งผลกระทบต่อผู้ใช้เอง โดยการเก็บเครื่องมือและอุปกรณ์เสริมให้อยู่ในสภาพดี ให้อายุอยู่อย่างเหมาะสม และจัดรูปแบบการทำงานให้เหมาะสม

## การประกอบ

ก่อนซ่อมแซม เปลี่ยนดอกสว่าน หรือทำการปรับเปลี่ยนใดๆ รวมทั้งขณะขนย้ายและเก็บสว่าน ต้องปรับไกสวิตช์ไว้ตรงกลาง เพื่อป้องกันสว่านหมุนจนทำให้ได้รับอันตราย

## การชาร์จแบตเตอรี่

### วิธีชาร์จแบตเตอรี่สว่านไขควง

ขณะชาร์จแบตเตอรี่ ไฟสถานะสีแดงบนตัวเครื่องจะสว่างขึ้น เพื่อแสดงว่ากำลังชาร์จ (8)

ในสภาพการใช้งานปกติ สามารถชาร์จแบตเตอรี่ซ้ำได้หลายร้อยครั้ง

### ข้อควรระวัง! ขณะชาร์จ แบตเตอรี่จะร้อน

**หมายเหตุ:** แบตเตอรี่ที่มากับตัวเครื่องผ่านการชาร์จเพื่อทดสอบเท่านั้น ก่อนใช้เครื่องมือควรชาร์จแบตเตอรี่ให้เต็มก่อน

อ่านคำแนะนำด้านความปลอดภัยให้ละเอียดก่อนใช้ จากนั้นจึงชาร์จแบตเตอรี่ตามวิธีในคู่มือ โดยเลี่ยงไม่ให้ชาร์จเข้ากับตัวเครื่อง แล้วเสียบปลั๊กสายชาร์จกับเต้ารับ ตรวจสอบว่าสายไฟไม่พันกันหรือหักงอ

หม้อแปลงของที่ชาร์จกับแบตเตอรี่ออกแบบมาให้ใช้คู่กัน

ห้ามใช้ที่ชาร์จนี้ไปชาร์จเครื่องมือนิรสายอื่น หรือชาร์จแบตเตอรี่ที่มาจากผู้ผลิตอื่น

แบตเตอรี่จะค่อยๆ คายประจุออก แม้ว่าจะเก็บไว้โดยไม่ได้ออกใช้งานก็ตาม

แบตเตอรี่ลิเทียมไอออนมีระบบ Electronic Cell Protection (ECP) เพื่อช่วยป้องกันการคายประจุจนหมด ถ้าแบตเตอรี่หมด ส่วนในของจะดับอัตโนมัติ เพื่อป้องกันเครื่องชำรุด



**คำเตือน!** ถ้าสว่านดับ ห้ามกดไกสว่านให้หมุนอีก เพราะจะทำให้แบตเตอรี่เสื่อมหรือชำรุดได้



**คำเตือน!** ชาร์จไฟแบตเตอรี่บนพื้นผิวที่ไม่ไวไฟ และห้ามชาร์จนานเกิน 8 ชั่วโมง สังเกตได้จากไฟสถานะการชาร์จสีแดงจะดับลงเมื่อชาร์จแบตเตอรี่เต็ม

ดึงปลั๊กที่ชาร์จออกเมื่อชาร์จไฟเสร็จ แล้วเก็บที่ชาร์จเข้าที่ให้เรียบร้อย

หลีกเลี่ยงการชาร์จแบตเตอรี่ที่อุณหภูมิต่ำกว่าจุดเยือกแข็ง

ขณะถอดแบตเตอรี่ออกจากตัวเครื่อง ให้กดไก (4) ค้างไว้จนกว่าจะถอดแบตเตอรี่เสร็จ คลายสกรูที่ยึดฝาครอบตัวเครื่องออก ถอดฝาครอบ ตัดสายไฟที่ต่ออยู่กับแบตเตอรี่ แล้วถอดแบตเตอรี่ออก (ดูภาพ A)

## วิธีใช้

### การปรับความเร็วรอบหมุน

สามารถปรับความเร็วรอบหมุนจากศูนย์ถึงความเร็วสูงสุดได้ โดยเพิ่มแรงกดลงบนไกสว่าน

### การปรับเปลี่ยนทิศทางการหมุน

ใช้ปุ่มปรับทิศทางที่อยู่เหนือไกสว่าน เป็นตัวปรับ

ทิศทางการหมุนซ้ายขวา  
การล็อกไกส่วาน ให้เลื่อนปุ่มปรับทิศทางการ  
หมุนตรงกลาง

**การเลือกใช้ส่วนหรือไขควง**

หมุนหัวปรับค่าแรงบิดไปยังตำแหน่งที่ต้องการ แรงบิด  
1-15 ใช้สำหรับขันหรือคลายสกรู (ตัวเลขที่สูงขึ้นหมายถึง  
ถึงแรงบิดที่มากขึ้นตามลำดับ) เมื่อต้องการใช้ส่วน ให้  
เปลี่ยนไปเลือกกรุปดอกส่วาน เพื่อเปลี่ยนจากงานขันเป็น  
งานเจาะ

**หัวจับดอกแบบไม้ใช้จำปา**

หัวจับดอกส่วานแบบไม้ใช้จำปา ใช้งานง่ายและสะดวก  
เปิดปิดหัวจับดอกส่วาน โดยไขมือข้างหนึ่งจับส่วนท้าย  
ของหัวส่วานให้แน่น แล้วหมุนส่วนหน้าของหัวส่วาน  
เปิดหรือปิด



**คำเตือน ระวังมอเตอร์ส่วาน**

อย่าจับบริเวณหัวส่วานหรือดอกส่วาน ขณะมอเตอร์หมุน  
เพราะอาจก่อให้เกิดอันตรายและการบาดเจ็บได้

**การใส่ดอกส่วาน/ดอกไขควง**

ตั้งไกส่วานไว้ตรงกลาง  
เปิดหัวจับดอกเป็นช่องใหญ่กว่าดอกส่วานเล็กน้อย  
ใส่ดอกส่วานลงไป  
หมุนหัวจับให้แน่นตามวิธีที่อธิบายไว้ข้างต้น

**การดูแลรักษาและการทำความสะอาด**

ก่อนทำความสะอาด เปลี่ยนชิ้นส่วน/แบตเตอรี่ หรือ  
เลื่อนสวิตช์ควบคุมทิศทางการหมุนไปไว้ตรงกลาง เพื่อ  
ความปลอดภัย เพราะการผลอกดไกสวิตช์ของเครื่อง  
มีอาจทำให้เกิดอันตรายได้

เพื่อให้เครื่องมือใช้ได้เป็นปกติและปลอดภัย ควรรักษา  
เครื่องมือและช่องระบายความร้อนให้สะอาดอยู่เสมอ

**คำแนะนำวิธีการทิ้ง**

**การรักษาสิ่งแวดล้อม**

ระเบียบเกี่ยวกับเศษเหลือทิ้งของผลิตภัณฑ์ไฟฟ้าและ  
อิเล็กทรอนิกส์ (WEEE) ในด้านข้อมูลที่ใช้ในภาคครัว  
เรือนควรทราบ เพื่อการกำจัดเศษเหลือทิ้งอย่างมีความ  
รับผิดชอบและเป็นมิตรต่อสิ่งแวดล้อม



สัญลักษณ์บนอุปกรณ์ไฟฟ้าและอิเล็กทรอนิกส์ และ  
เอกสารแนบสินค้าระบุไว้ว่า ผลิตภัณฑ์ที่ผ่านการใช้งาน  
หรือหมดอายุใช้งานแล้ว ไม่ควรนำไปทิ้งร่วมกับขยะ  
อื่นๆ ในครัวเรือน ต้องนำไปทิ้งในจุดรับทิ้งที่กำหนด  
ไว้โดยเฉพาะ ในบางประเทศ เศษเหลือทิ้งเหล่านี้  
กลับคืนไปยังผู้จำหน่าย พร้อมกับสิ่งชื้อสินค้าใหม่ใน  
แบบเดียวกันหรือคล้ายกันมาทดแทน การกำจัดเศษ  
เหลือทิ้งอย่างถูกวิธีจะช่วยให้ทรัพยากรอันมีค่า  
และป้องกันผลกระทบต่ออาจเกิดขึ้นต่อสุขภาพและสิ่ง  
แวดล้อม กรุณาติดต่อหน่วยงานผู้มีอำนาจในท้องถิ่น  
เพื่อสอบถามรายละเอียดของจุดรับทิ้งที่ใกล้ที่สุดที่ทาง  
การกำหนดไว้ ผู้ใดฝ่าฝืนไม่ปฏิบัติตามระเบียบนี้จะถูก  
ลงโทษตามกฎหมาย

**การทิ้งแบตเตอรี่ที่ชาร์จหรือหมดอายุ**

ห้ามทิ้งแบตเตอรี่เก่า ชาร์จ หรือหมดอายุรวมกับขยะ  
อื่นๆ ในครัวเรือน กฎหมายกำหนดให้ผู้ใช้นำแบตเตอรี่  
เก่าไปทิ้งยังจุดรับทิ้งแบตเตอรี่ใกล้บ้านหรือส่งกลับไปยัง  
บริษัทที่มีหน้าที่จัดการรับทิ้ง การฝ่าฝืนข้อกำหนด  
อาจมีโทษปรับหรือโทษอื่นตามกฎหมาย

**ข้อมูลการกำจัดขยะอิเล็กทรอนิกส์ภายนอก  
ประเทศกลุ่มสหภาพยุโรป**



สัญลักษณ์นี้มีผลบังคับใช้เฉพาะในประเทศกลุ่มสหภาพ  
ยุโรปเท่านั้น กรุณาสอบถามข้อมูลวิธีการกำจัดเศษเหลือ  
ทิ้งของผลิตภัณฑ์ไฟฟ้าและอิเล็กทรอนิกส์ จากหน่วย  
งานผู้มีหน้าที่รับผิดชอบ หรือผู้จัดจำหน่ายในประเทศ



