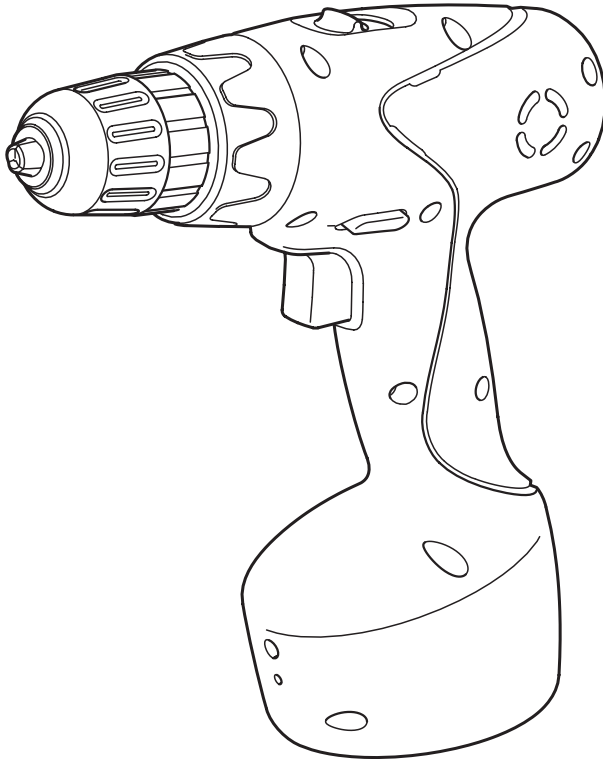


FIXA



GB

DK

IS

NO

FI

SE

ET

LV

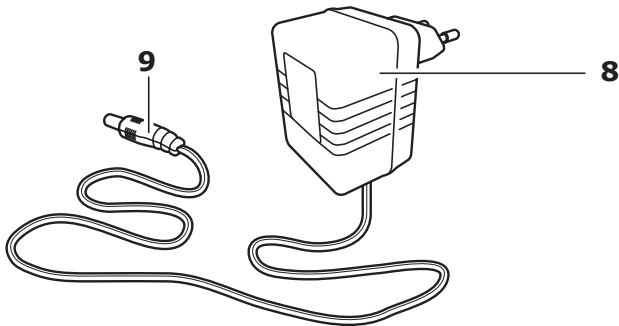
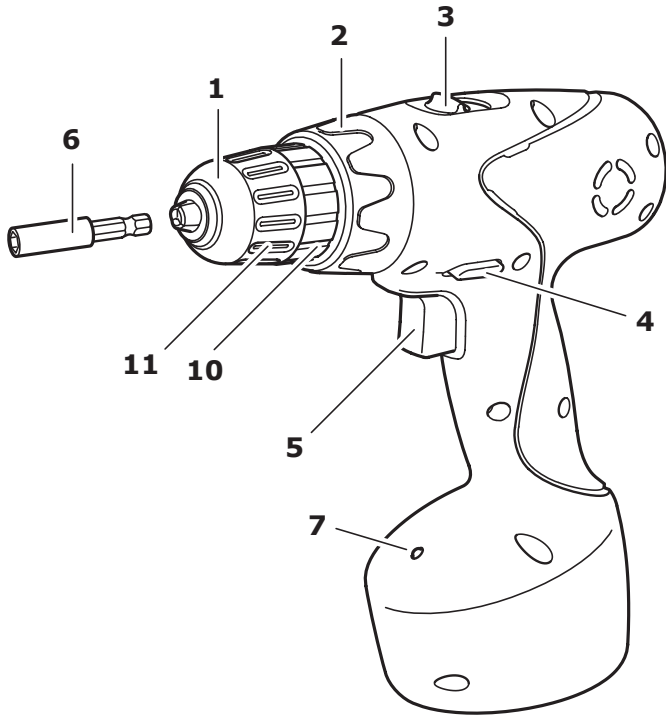
LT

中文

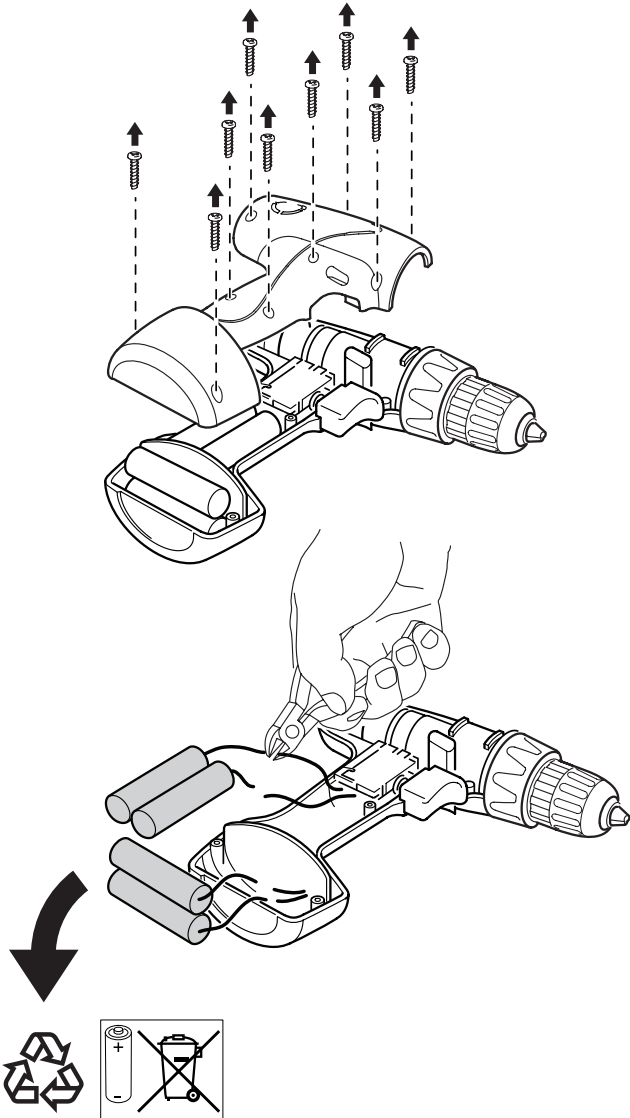
TH



Design and Quality
IKEA of Sweden



A



| | |
|--|-----------|
| ENGLISH | 4 |
| Original instructions | |
| DANSK | 12 |
| Oversat fra de originale anvisninger. | |
| ÍSLENSKA | 20 |
| Þýtt úr upprunalegum leiðbeiningum. | |
| NORSK | 27 |
| Oversatt fra de opprinnelige instruksjonene. | |
| SUOMI | 35 |
| Käännetty alkuperäisistä ohjeista. | |
| SVENSKA | 43 |
| Översatt från de ursprungliga | |
| EESTI | 51 |
| Tõlgitud originaaljuhiste järgi. | |
| LATVIEŠU | 59 |
| Orģinālģas instrukģijas tulkojums. | |
| LIETUVIŲ | 67 |
| OriginaliŲ instrukcijŲ vertimas. | |
| ไทย | 74 |
| แปลจากค้าแนะนำแรกเริ่ม | |

FIXA screwdriver/drill Li-Ion 14.4V**TECHNICAL SPECIFICATIONS**

Voltage: 14.4 V
 Battery type: 1.3 Ah Lithium-Ion
 Charger: Local mains voltage
 Charging time: 3 – 5 hr
 Chuck capacity: 0.8 – 10 mm (1/32" - 3/8")
 Adjustable torque: 19 + drilling
 Max. torque: 16 Nm
 Max. rpm (no-load speed)
 Position I: 0 – 350 /min
 Position II: 0 – 1200 /min
 Holder for screwdriver bits: 6 mm (1/4")
 Chuck: 10 mm (3/8"), keyless, quick-fit quick-release chuck
 Weight: 1.1 kg (2.42 lbs)
 Vibration (according to EN 60745-1, EN 60745-2-1, EN 60745-2-2):
 $a_{h,D} = 2.5 \text{ m/s}^2$, $K = 1.5 \text{ m/s}^2$
 $a_{h,S} = 2.5 \text{ m/s}^2$, $K = 1.5 \text{ m/s}^2$
 Noise (according to EN 60745-1):
 Noise pressure level $L_{pa} = 69 \text{ dB (A)}$,
 $K_{pa} = 3 \text{ dB (A)}$
 Noise power level $L_{wa} = 80 \text{ dB (A)}$,
 $K_{wa} = 3 \text{ dB (A)}$

LIST OF FEATURES

The numbering of the product features shown refers to the illustration of the screwdriver/drill on the graphic page.

1. Keyless chuck
2. Torque regulator
3. Gear selector
4. Rotational direction switch
5. Infinitely variable speed control/trigger
6. Holder for screwdriver bit
7. Light diode
8. Transformer for charger
9. Plug for charger
10. Rear ring
11. Front sleeve

AREAS OF USE

This cordless screwdriver/drill may be used for drilling in wood, plastic and soft metal materials, and for tightening/loosening screws. The supplied drill bits are suitable for these applications. Any other application with these drill bits is not recommended.

This appliance is not intended for use by persons (including children) with reduced sensory or mental capabilities, or lack of experience and knowledge, unless they have been given supervision or instructions concerning use of the appliance by a person responsible for their safety.

Children should be supervised to ensure that they do not play with the appliance.

GENERAL SAFETY INSTRUCTIONS**General safety instructions for power tools****WARNING!**

Read all safety warnings and all instructions. Failure to follow all the warnings and instructions may result in electric shock, fire and/or serious injury.

Save all warnings and instructions for future reference.

The term "power tool" in all of the warnings listed below refers to your mains operated (corded) power tool or battery operated (cordless) power tool.

Work area safety

a. **Keep work area clean and well lit.** Cluttered and dark areas invite accidents.

b. **Do not operate power tools in explosive atmospheres, such as in the presence of flammable liquids, gasses or dust.** Power tools create sparks which may ignite the dust of fumes.

c. **Keep children and bystanders away while operating a power tool.** Distractions can cause you to lose control.

Electrical safety

a. **Power tool plugs must match the outlet. Never modify the plug in any way. Do not use any adapter plugs with earthed (grounded) power tools.** Unmodified plugs and matching outlets will reduce risk of electric shock.

b. **Avoid body contact with earthed or grounded surfaces such as pipes, radiators, ranges and refrigerators.** There is an increased risk of electric shock if your body is earthed or grounded.

c. **Do not expose power tools to rain or wet conditions.** Water entering a power tool will increase the risk of electric shock.

d. **Do not abuse the cord. Never use the cord for carrying, pulling or unplugging the power tool. Keep the cord away from heat, oil, sharp edges or moving parts.** Damaged or entangled cords increase the risk of electric shock.

e. **When operating a power tool outdoors, use an extension cord suitable for outdoor use.** Use of a cord suitable for outdoor use reduces the risk of electric shock.

f. **If operating a power tool in a damp location is unavoidable, use a residual current device (RCD) protected supply.** Use of an RCD reduces the risk of electric shock.

Personal safety

a. **Stay alert, watch what you are doing and use common sense when operating a power tool. Do not use a power tool while you are tired or under the influence of drugs, alcohol or medication.** A moment of inattention while operating power tools may result in serious personal injury.

b. **Use personal protective equipment. Always wear eye protection.** Protective equipment such as dust mask, non-skid safety shoes, hard hat, or hearing protection used for appropriate conditions will reduce personal injuries.

c. **Prevent unintentional starting: Ensure that the switch is in the off-position before connecting to power source and/or battery pack, picking up or carrying the tool.** Carrying power tools with your finger on the switch or plugging in power tools that have the switch on invites accidents.

d. **Remove any adjusting key or wrench before turning the power tool on.** A wrench or a key left attached to a rotating part of the power tool may result in personal injury.

e. **Do not overreach. Keep proper footing and balance at all times.** This enables better control of the power tool in unexpected situations.

f. **Dress properly. Do not wear loose clothing or jewellery. Keep your hair,**

clothing and gloves away from moving parts. Loose clothes, jewellery or long hair can be caught in moving parts.

g. If devices are provided for the connection of dust extraction and collection facilities, ensure these are connected and properly used. Use of these devices can reduce dust related hazards.

Power tool use and care

a. Do not force the power tool. Use the correct power tool for your application. The correct power tool will do the job better and safer at the rate for which it was designed.

b. Do not use the power tool if the switch does not turn it on and off. Any power tool that cannot be controlled with the switch is dangerous and must be repaired.

c. Disconnect the plug from the power source and/or the battery pack before making any adjustments, changing accessories, or storing power tools. Such preventive safety measures reduce the risk of starting the power tool accidentally.

d. Store idle power tools out of the reach of children and do not allow persons unfamiliar with the power tool or these instructions to operate the power tool. Power tools are dangerous in the hands of untrained users.

e. Maintain power tools. Check for misalignment or binding of moving parts, breakage of parts and any other condition that may affect the power tools operation. If damaged, have the power tool repaired before use. Many

accidents are caused by poorly maintained power tools.

f. Keep cutting tools sharp and clean. Properly maintained cutting tools with sharp cutting edges are less likely to bind and are easier to control.

g. Use the power tool, accessories and tool bits, etc. in accordance with these instructions and in the manner intended for the particular type of power tool, taking into account the working conditions and the work to be performed. Use of the power tool for operations different from those intended could result in a hazardous situation.

h) Hold the power tool by insulated gripping surfaces, when performing an operation where the fastener may contact with hidden wiring or its own cord. Fasteners contacting a "live" wire may make exposed metal parts of the power tool "live" and could give the operator an electric shock.

Battery tool use and care

a. Recharge only with the charger specified by the manufacturer. A charger that is suitable for one type of battery pack may create a risk of fire when used with another battery pack.

b. Use power tools only with specifically designated battery packs. Use of any other battery packs may create a risk of injury and fire.

c. When battery pack is not in use, keep it away from other metal objects, like paperclips, coins, keys, nails, screws or other small metal objects that can make a connection from one terminal to another. Shorting the battery

terminals together may cause burns or a fire.

d. Under abusive conditions, liquid may be ejected from the battery; avoid contact. If contact accidentally occurs, flush with water. If liquid contacts eyes, additionally seek medical help.

Liquid ejected from the battery may cause irritation or burns.

Service

a. Have your power tool serviced by a qualified repair person using only identical replacements parts.

This will ensure that the safety of the power tool is maintained.

MACHINE-SPECIFIC SAFETY INSTRUCTIONS

Safety warnings for drills and screwdrivers

Use appropriate detectors to determine if utility lines are hidden in the work area or call your local utility company for assistance. Contact with electric lines can lead to fire and electric shock. Damaging a gas line can lead to explosion. Penetrating a water line causes property damage or may cause an electric shock.

Switch off the power tool immediately when the tool insert jams. Be prepared for high reaction torque that can cause kickback. The tool insert jams when:

- the power tool is subject to overload or
- it becomes wedged in the workpiece.

Hold the machine with a firm grip. High reaction torque can briefly occur while driving in and loosening screws.

Secure the workpiece. A workpiece clamped with clamping devices or in a vice is held more secure than by hand.

Keep your workplace clean. Blends of materials are particularly dangerous. Dust from light alloys can burn or explode.

Always wait until the machine has come to a complete stop before placing it down. The tool insert can jam and lead to loss of control over the power tool.

Avoid unintentional switching on. Ensure the trigger is in the off position before inserting battery pack. Carrying the power tool with your finger on the trigger or inserting the battery pack into power tools that have the switch on invites accidents.

Safety Warnings for battery chargers



For indoor use only.



Double insulated.

Keep the battery charger away from rain or moisture. Penetration of water in the battery charger increases the risk of an electric shock.

Do not charge other batteries. The battery charger is suitable only for charging the batteries that were supplied with your power tool. Otherwise there is danger of fire and explosion.

Keep the battery charger clean. Contamination can lead to danger of an electric shock.

Before each use, check the battery charger, cable and plug. If damage is detected, do not use the battery charger. Never open the battery charger yourself. Have repairs performed only by a qualified technician. Damaged battery chargers, cables and plugs increase the risk of an electric shock.

Do not operate the battery charger on easily inflammable surfaces (e. g., paper, textiles, etc.) or surroundings. The heating of the battery charger during the charging process can pose a fire hazard.

Children should be supervised to ensure that they do not play with the battery charger.

Products sold in **GB only**: Your product is fitted with an BS 1363/A approved electric plug with internal fuse (ASTA approved to BS 1362). If the plug is not suitable for your socket outlets, it should be cut off and an appropriate plug fitted in its place by an authorised customer service agent. The replacement plug should have the same fuse rating as the original plug. The severed plug must be disposed of to avoid a possible shock hazard and should never be inserted into a mains socket elsewhere. Products sold in **AUS only**: Use a residual current device (RCD) with a rated residual current of 30 mA or less.

VIBRATION INFORMATION

Vibration level

The vibration emission level stated in this instruction manual has been measured in accordance with a standardised test given in EN 60745. It may be used to compare one tool with another and as a preliminary assessment of exposure to vibration

when using the tool for the applications mentioned in this manual. However, using the tool for different applications, or with different or poorly maintained accessories, may significantly increase the exposure level.

An estimation of the level of exposure to vibration should also take into account the times when the tool is switched off or when it is running but not actually doing the job, as this may significantly reduce the exposure level over the total working period.

Protect yourself against the effects of vibration by maintaining the tool and its accessories, keeping your hands warm, and organising your work patterns.

ASSEMBLY

Before any work on the machine (e. g., maintenance, tool change, etc.) as well as during transport and storage, set the rotational direction switch to the centre position. Unintentional actuation of the On/Off switch can lead to injuries.

Battery charging

Charging your screwdriver/drill

When the charger is connected to the electricity supply, the red diode on the screwdriver/drill lights up. The diode lights up while the battery is being charged (7).

Under normal conditions of use the screwdriver/drill can be recharged several hundred times.

ATTENTION! The recharging process generates heat in the battery.

Note: The battery that is supplied with the screwdriver/drill has been charged for test purposes only and must be fully recharged before first time use.

First read the safety instructions and then follow the loading instructions. Insert the transformer plug into the socket in the screwdriver/drill. Then connect the charger's transformer to the electricity supply.

Make sure that there are no knots or sharp bends in the cable.

The charger's transformer and the battery have been designed to be used together.

NEVER use this charger to recharge cordless tools or batteries from other manufacturers. The battery will gradually lose its charge over a period of time, even if the tool is not used.

The lithium-ion battery is protected against deep discharging by the "Electronic Cell Protection (ECP)". When the battery is empty, the machine is switched off by means of a protective circuit: The inserted tool no longer rotates.



WARNING! Do not continue to press the On/Off switch after the machine has been automatically switched off. The battery can be damaged.



WARNING! Recharge the battery on a non-flammable surface. Do not recharge the battery for more than eight hours. The red diode will turn green when the battery has been fully loaded.

Disconnect the cable and store the transformer in a suitable place when it is not in use.

It is not advisable to recharge the battery in temperatures below freezing.

When removing the battery from the machine, actuate the trigger switch (5) until the battery is completely discharged. Unscrew the screws in the casing and take off the casing shell. Disconnect the connections on the battery and remove the battery (see illustration A).

INSTRUCTIONS FOR USE

Using the tool

Note: Sparks may be visible through the slots in the motor housing during operation. The sparks are a normal reaction of the motor when in use and are created by the components inside the motor moving against each other. The function of the power tool is not affected by this. We do however recommend not to use the power tool near any flammable liquids, gases or dust, which the sparks may ignite.

Mounting drill/driver bits

Before any work on the machine (e.g. maintenance, tool change, etc) as well as during transport and storage, set rotational direction switch to the centre position. Unintentional actuation of the trigger can lead to injuries. Adjust the chuck until the opening is slightly larger than the shaft of the drill bit that you wish to use. Insert the drill bit into the chuck. Tighten the chuck against the drill as described below (Keyless chuck).

Regulating the shaft speed

It is possible to regulate both shaft speeds from zero to maximum by altering the pressure applied to the trigger. This enables you to choose the optimum speed for the task you are working on. Use the lower speed for tightening/loosening screws (position 1 on the gear selector (3)).

Selecting shaft speed

Use a low speed when starting to drill in metal, plastic or ceramic materials, using the screwdriver function or carrying out work that requires a high degree of torque. Use a high speed when drilling in wood. (position 2 on the gear selector (3)).

Reversing the direction of rotation

You can reverse the direction of rotation by using the rotational direction switch (4).

To lock the trigger, set the selector to the mid position between the right and left options.

Adjusting the tightening moment

Turn the torque regulator (2) to the desired position. Settings 1-19 are used for tightening/loosening screws (the higher the value, the greater the tightening moment). Select the drill symbol before using the tool for drilling.

Keyless chuck

Your drill has a keyless chuck so that you can simply tighten or release drill/driver bits.

To open/close the chuck hold the rear ring (10) and rotate the front sleeve (11).



WARNING: RISK OF TRAPPING

Do not hold the front sleeve of the chuck

with one hand at the same time as you open or close the jaws of the chuck with the help of the screwdriver/drill's motor.

MAINTENANCE AND CLEANING

Before any work on the machine (e.g. maintenance, tool change, etc) as well as during transport and storage, set the rotational direction switch to the centre position. Unintentional actuation of the trigger can lead to injuries.

For safe and proper working, always keep the machine and ventilation slots clean.

ENVIRONMENTAL DISPOSAL INSTRUCTIONS

Help to protect the environment

Information (for private households) about the environmentally sound disposal of electrical and electronic equipment in accordance with the WEEE directive (Waste Electrical and Electronic Equipment).



This symbol on electrical and electronic products and the documentation that accompanies them indicates that these products may not be discarded together with ordinary household waste. Instead the products must be taken to a designated collection point where they will be received free of charge for disposal, treatment, reuse and recycling as appropriate. In certain countries products may also be returned to the point of sale when purchasing an equivalent new product. By disposing of this product in the proper manner you are helping to save valuable natural resources and to eliminate the

negative effects that the irresponsible disposal and management of waste can have on health and the environment. Please contact the relevant authorities where you live for information about your nearest WEEE collection point. Disposing of this type of waste in an unapproved manner may render you liable to fine or other penalty according to the law.

Disposing of damaged or exhausted batteries

Do not dispose of discarded batteries together into ordinary household waste, fire or water. In accordance with the law, damaged or exhausted batteries must be taken to the nearest collection point for batteries or a battery management company. Failure to comply with these regulations may render you liable to fine or other penalty.

Information about disposal for users in countries outside the European Union



This symbol applies only within the European Union. Please contact the relevant authorities or retailer in your country for information about the correct method of disposal for this product.

FIXA skruetrækker/boremaskine li-ion 14,4V

TEKNISKE SPECIFIKATIONER

Spænding: 14,4 V
 Batteritype: 1,3 Ah lithium-ion
 Oplader: Lokal netspænding
 Opladningstid: 3-5 timer
 Patronstørrelse: 0,8 - 10 mm
 Indstilleligt drejningsmoment: 19 + boring
 Maks. spændingsmoment: 16 Nm
 Maks. omdr./minut (hastighed uden belastning):
 Position I 0 - 350/min.
 Position II 0 - 1200/min.
 Holder til bor: 6 mm
 Patron: 10 mm, nøgleløs patron med hurtig montering/afmontering af bor
 Vægt: 1,1 kg
 Vibration (i henhold til EN 60745-1, EN 60745-2-1, EN 60745-2-2):
 $a_{h,D} = 2,5 \text{ m/s}^2$, $K = 1,5 \text{ m/s}^2$,
 $a_{h,r} = 2,5 \text{ m/s}^2$, $K = 1,5 \text{ m/s}^2$
 Støj (i henhold til EN 60745-1):
 Støjeffektniveau $L_{pa} = 69 \text{ dB (A)}$,
 $K_{pa} = 3 \text{ dB (A)}$
 Støjtrykkniveau $L_{wa} = 80 \text{ dB (A)}$,
 $K_{wa} = 3 \text{ dB (A)}$

FUNKTIONER

Nummereringen af produktets funktioner herunder henviser til tegningen af skruetrækkeren/boremaskinen på illustrationssiden.

1. Nøgleløs patron
2. Regulator, spændingsmoment
3. Gearvælger
4. Rotationsretningsomskifter
5. Trinløs variabel hastighedskontrol/udløser
6. Holder til skruetrækkerdel
7. Lampe
8. Transformertil oplader

9. Transformerstik
10. Bageste ring
11. Forreste indsatspatron

ANVENDELSE

Den trådløse skruetrækker/boremaskine kan bruges til at bore i træ, plast og blødt metal, og til at spænde eller løsne skrue. De medfølgende bor er velegnede til at bore i ovennævnte materialer. Det anbefales ikke at bruge borene til at bore i andre materialer.

Produktet er ikke beregnet til brug af personer (herunder børn) med psykiske handicap eller manglende erfaring eller viden, med mindre de er under opsyn eller har fået vejledning af en person, der er ansvarlig for deres sikkerhed.

Børn skal overvåges for at sikre, at de ikke leger med værktøjet.

MASKINSPECIFIKKE SIKKERHEDSANVISNINGER

Generelle sikkerhedsanvisninger for elværktøj



ADVARSEL!



Læs alle sikkerhedsadvarsler og -anvisninger. Manglende overholdelse af advarsler og anvisninger kan føre til elektrisk stød, brand og/eller alvorlig tilskadekomst.

Gem alle advarsler og anvisninger til senere brug.

Udtrykket "elværktøj" i alle advarslerne herunder henviser til dit elværktøj med nettilslutning (med ledning) eller

batteridrevne elværktøj (trådløst).

Sikkerhed i arbejdsområdet

a. **Hold arbejdsområdet rent og veloplyst.** Rodede og mørke områder giver risiko for uheld.

b. **Elværktøj må ikke bruges i omgivelser med eksplosionsfare, f.eks. i nærheden af brændbare væsker, gasser eller støv.** Elværktøj skaber gnister, der kan antænde støv eller dampe.

c. **Børn og andre personer må ikke være i nærheden, når du betjener et elværktøj.** Hvis du bliver distraheret, kan du miste kontrollen over værktøjet.

Elektrisk sikkerhed

a. **Stikket på elværktøjet skal passe til eludtaget. Stikket må ikke ændres på nogen måde. Brug ikke et adapterstik sammen med et jordet/jordforbundet elværktøj.** Stik, der ikke er ændret, og eludtag, der passer til, reducerer risikoen for elektrisk stød.

b. **Undgå kropskontakt med overflader med jordkontakt, f.eks. rør, radiatorer, komfurer og køleskabe.** Der er større risiko for at få stød, hvis din krop har jordkontakt.

c. **Elværktøj må ikke udsættes for regn eller fugtige forhold.** Hvis der trænger vand ind i et elværktøj, stiger risikoen for elektrisk stød.

d. **Ledningen må ikke beskadiges. Brug aldrig ledningen til at bære eller trække i elværktøjet eller til at trække stikket ud af stikkontakten. Hold ledningen væk fra varme, olie, skarpe kanter eller bevægelige dele.**

Beskadigede eller filtrede ledninger forøger risikoen for elektrisk stød.

e. **Når du betjener et elværktøj udendørs, skal du bruge en forlængerledning, der er beregnet til udendørs brug.** Hvis du bruger en ledning, der er beregnet til udendørs brug, reduceres risikoen for elektrisk stød.

f. **Hvis du ikke kan undgå at betjene elværktøjet i fugtige omgivelser, skal du bruge en beskyttelsesenhed til reststrøm (RCD).** Brug af RCD reducerer risikoen for at få elektrisk stød.

Personlig sikkerhed

a. **Vær opmærksom, hold øje med, hvad du laver, og brug almindelig sund fornuft, når du betjener et elværktøj. Brug ikke et elværktøj, hvis du er træt eller påvirket af narkotika, alkohol eller medicin.** Et øjeblik uopmærksomhed, mens du bruger et elværktøj, kan forårsage alvorlig personskade.

b. **Brug personlige værnemidler. Bær altid øjenværn.** Sikkerhedsudstyr, f.eks. støvmaske, skridsikre sikkerhedssko, beskyttelseshjelm eller høreværn, der bruges under de relevante forhold, reducerer risikoen for personskade.

c. **Undgå, at værktøjet starter ved en fejl: Sørg for, at kontakten er slukket, før du sætter stikket i stikkontakten og/eller batteriet, løfter eller bærer værktøjet.** Risikoen for ulykker stiger, hvis du bærer elværktøj med fingeren på kontakten eller sætter stikket i stikkontakten, når kontakten er tændt.

d. **Fjern indstillingskile eller skruenøgle, før du tænder elværktøjet.** En skruenøgle eller kile, der sidder i en roterende del på elværktøjet, kan medføre personskade.

e. **Lad være med at strække dig, når du bruger elværktøjet.** Hold hele tiden fødderne på jorden, og hold balancen. Det giver dig bedre kontrol over elværktøjet, hvis der opstår en uventet situation.

f. **Bær fornuftigt tøj, ikke løs beklædning eller smykker. Hold hår, beklædning og handsker væk fra bevægelige dele.** Løst tøj, smykker og langt hår kan sidde fast i bevægelige dele.

g. **Hvis der leveres apparater til tilslutning af støvudsugnings- og opsamlingsudstyr, skal du sørge for, at de tilsluttes og bruges korrekt.** Brug af dette udstyr kan reducere farer ifm. støv.

Brug og vedligeholdelse af elværktøjet

a. **Elværktøjet må ikke betjenes med magt. Brug et elværktøj, der er beregnet til den relevante opgave.** Det er bedre og mere sikkert at bruge et elværktøj, der er udviklet til opgaven.

b. **Brug ikke elværktøjet, hvis tænd-/slukkkontakten ikke fungerer.** Elværktøj, der ikke kan kontrolleres med tænd-/slukkkontakten er farligt og skal repareres.

c. **Træk stikket ud af stikkontakten og/eller fjern batteriet, før du ændrer værktøjet, skifter tilbehør eller lægger værktøjet væk.** Forebyggende sikkerhedsforanstaltninger som disse reducerer risikoen for, at elværktøjet

starter ved en fejl.

d. **Opbevar elværktøj, der ikke er i brug, utilgængeligt for børn, og lad ikke personer, der ikke er bekendt med brugen af værktøjet eller disse anvisninger, betjene elværktøjet.** Elværktøj er farligt i hænderne på uerfarne brugere.

e. **Elværktøjet skal vedligeholdes. Efterse de bevægelige dele for skævheder og kontrollér, om de binder eller er ødelagte, eller om der er andre forhold, der kan påvirke elværktøjets drift. Hvis elværktøjet er beskadiget, skal det repareres før brug.** Mange ulykker forårsages af elværktøj, der ikke er tilstrækkeligt vedligeholdt.

f. **Hold skæreværktøjer skarpe og rene.** Et korrekt vedligeholdt skæreværktøj med skarpt skær binder ikke og er nemmere at styre.

g. **Brug elværktøj, tilbehør, bordele osv. i henhold til disse anvisninger og på den måde, der er beregnet til det pågældende elværktøj. Tag hensyn til arbejdsforholdene og den opgave, der skal udføres.** Brug af elværktøj til andre opgaver end dem, det er beregnet til, kan medføre farlige situationer.

h. **Hold fast på elværktøjet på de isolerede gribeområder, når du udfører arbejde, hvor tilbehøret kan komme i kontakt med skjulte ledninger eller strømkablet.** Hvis tilbehøret får kontakt med en strømførende ledning, kan de blottagte metaldele på værktøjet også blive strømførende og kan give brugeren elektrisk stød.

Brug og vedligeholdelse af batteridrevet værktøj

a. Må kun genoplades med den oplader, der er angivet af producenten.

En oplader, der er beregnet til én type batteri, kan medføre brandfare, hvis den bruges sammen med et andet batteri.

b. Brug kun elværktøj sammen med de angivne batterier.

Hvis der bruges andre batterier, kan der opstå fare for personskade og brand.

c. Når batteriet ikke er i brug, skal det holdes væk fra andre metalgenstande, f.eks. papirclips, mønter, nøgler, søm, skruer eller andre små metaldele, der kan skabe forbindelse mellem terminalerne.

Kortslutning af batteriterminalerne kan forårsage forbrændinger eller brand.

d. Hvis batteriet bruges forkert, kan det lække væske. Undgå kontakt med denne væske. Hvis der opstår kontakt ved et uheld, skal området skylles med vand. Hvis du får væsken i øjnene, skal du søge læge. Væske fra batteriet kan medføre irritation eller forbrænding.

Service

a. Få dit elværktøj serviceret af en uddannet person, der kun bruger originale reservedele.

Det garanterer, at elværktøjet bliver ved med at være sikkert at bruge.

MASKINSPECIFIKKE SIKKERHEDSANVISINGER

Sikkerhedsadvarsler for boremaskiner/skruetrækkere

Brug egnede søgeinstrumenter til at finde frem til skjulte forsyningsledninger i arbejdsområdet, eller kontakt det lokale forsyningselskab.

Kontakt med elektriske ledninger kan medføre brand og elektrisk stød. Beskadigelse af en gasledning kan medføre eksplosion. Gennemsavning af et vandrør kan medføre materiel skade eller elektrisk stød.

Sluk straks elværktøjet, hvis indsatsværktøjet blokerer. Vær opmærksom, hvis elværktøjet arbejder med høje reaktionsmomenter, da det kan medføre tilbageslag.

Indsatsværktøjet blokerer, hvis

- elværktøjet overbelastes,
- eller hvis det sætter sig fast i arbejdsemnet.

Hold godt fast i elværktøjet.

Når skruer spændes og løsnes, kan der opstå korte, høje reaktionsmomenter.

Fastgør arbejdsemnet.

Et arbejdsemnet holdes bedre fast med spændestykker eller i en skruetvinge end med hånden.

Hold din arbejdsplads ren.

Der kan især opstå farlige situationer, hvis forskellige materialer bliver blandet. Letmetalstøv kan brænde eller eksplodere.

Læg først elværktøjet fra dig, når det er standset helt.

Indsatsværktøjet kan blokere, og du kan miste kontrollen over elværktøjet.

Undgå at tænde værktøjet ved en fejl.

Kontrollér, at tænd-slukkkontakten er slukket, før batteriet sættes i. Undgå at bære elværktøjet med fingeren placeret på kontakten, eller at sætte batteriet i værktøjet, når kontakten er tændt, da det

kan medføre ulykker.

Sikkerhedsadvarsler vedrørende batteriopladere



Kun til indendørs brug.



Dobbeltisoleret.

Hold batteriopladeren væk fra regn og fugt. Hvis der trænger vand ind i batteriopladeren, stiger risikoen for at få elektrisk stød.

Oplad ikke andre batterier.

Batteriopladeren er kun beregnet til at oplade de batterier, der leveres med dette elværktøj. Hvis den bruges til andre batterier, kan der opstå risiko for brand eller eksplosion.

Hold batteriopladeren ren. Hvis den er snavset, kan der opstå fare for at få elektrisk stød.

Kontrollér batterioplader, ledning og stik før hver brug. Hvis de er beskadiget, må batteriopladeren ikke bruges. Forsøg aldrig at åbne batteriopladeren selv. Reparationer må kun udføres af fagpersoner.

Beskadigede batteriopladere, ledninger og stik forøger risikoen for at få elektrisk stød.

Batteriopladeren må ikke bruges på let antændelige overflader (f.eks. papir, tekstiler osv.) eller i brandfarlige omgivelser.

Batteriopladeren bliver varm under opladningsprocessen, og det kan medføre brandfare.

Børn skal overvåges for at sikre, at de ikke leger med batteriopladeren.

OPLYSNINGER OM VIBRATION

Vibrationsniveau

Det vibrationsudledningsniveau, der er angivet i disse anvisninger, er målt i henhold til en standardiseret test, der fremgår af EN 60745. Testen kan bruges til at sammenligne værktøj og som en foreløbig vurdering af, hvilket vibrationsniveau man udsættes for, når man bruger værktøjet til de nævnte formål. Brug af værktøjet til forskellige formål, eller med andet eller dårligt vedligeholdet tilbehør, kan dog forøge vibrationsudledningen betragteligt.

I vurderingen af, hvilket vibrationsniveau man bliver udsat for, skal der også tages højde for de tidspunkter, hvor værktøjet er slukket, eller er tændt, men ikke bruges, da det kan medføre en betragtelig reduktion i vibrationsudledningen i den samlede arbejdsperiode.

Beskyt dig mod vibrationerne ved at vedligeholde værktøjet og tilbehøret, hold dine hænder varme, og organiser dine arbejdsmønstre.

MONTERING

Rotationsretningsomskifteren skal sættes i midterpositionen, før der indstilles på værktøjet (f.eks. vedligeholdelse, udskiftning af bor osv.) samt under transport og ved opbevaring. Hvis du ved en fejl kommer til at tænde værktøjet, kan du komme til skade.

Batteriopladning

Sådan oplader du din skruetrækker/ boremaskine

Når opladeren er tilsluttet elnettet, lyser den røde lampe på skruetrækkeren/
boremaskinen. Lampen lyser, når batteriet er ved at blive ladet op (7).

Ved normal brug kan skruetrækkeren/
boremaskinen oplades flere hundrede gange.

BEMÆRK! Genopladningsprocessen gør batteriet varmt.

Bemærk: Batteriet, der leveres med skruetrækkeren/boremaskinen, er udelukkende ladet op som led i en test og skal været fuldt opladet før brug.

Læs først sikkerhedsanvisningerne, og følg derefter anvisningerne for isætning af batteri. Sæt transformere ns stik i stikket på skruetrækkeren/boremaskinen. Tilslut derefter opladerens transformertil elnettet.

Sørg for, at der ikke er knuder eller skarpe knæk på ledningen.

Opladerens transformert og batteriet er designet til at blive brugt sammen.

Opladeren må **ALDRIG** bruges til at genoplade trådløst værktøj eller batterier fra andre producenter. Batteriet bliver gradvist afladet over tid, også selvom værktøjet ikke bliver brugt.

Lithium-ion-batteriet er beskyttet mod fuldstændig afladning af ECP batteribeskyttelse. Når batteriet er tomt, slukker værktøjet ved hjælp af et beskyttelseskredsløb, og det isatte bor

holder op med at rotere.



ADVARSEL! Undlad at trykke på tænd-/slukknappen, når værktøjet er slukket automatisk, da det kan beskadige batteriet.



ADVARSEL! Batteriet må kun oplades på en ikke-brændbar overflade. Batteriet må ikke oplades i mere end 8 timer. Den røde lampe bliver grøn, når batteriet er fuldt opladet.

Træk stikket ud af kontakten, og opbevar transformeren et passende sted, når den ikke er i brug.

Det anbefales ikke at genoplade batteriet i temperaturer under frysepunktet.

Når du skal tage batteriet ud af skruetrækkeren/boremaskinen, skal du aktivere tænd-/slukknappen (5), indtil batteriet er helt afladet. Løsn skruerne på dækslet, og tag det af. Afmonter batteritilslutningerne og tag batteriet ud (se illustration A).

BRUGSANVISNING

Sådan bruges værktøjet

Bemærk! Der er måske synlige gnister igennem åbningerne i motorhuset, når værktøjet anvendes. Gnisterne er en normal reaktion fra motoren, når den er i brug, og dannes, når delene indvendigt i motoren bevæger sig imod hinanden. Værktøjets funktion bliver ikke påvirket af dette. Vi anbefaler dog, at værktøjet ikke bruges i nærheden af brændbare væsker, gas eller støv, som gnisterne kan antænde.

Montering af skruetrækkerdele/bor

Rotationsretningsomskifteren skal sættes i midterpositionen, før der indstilles på værktøjet (f.eks. vedligeholdelse, udskiftning af bor osv.) samt under transport og ved opbevaring. Hvis du ved en fejl kommer til at tænde værktøjet, kan du komme til skade.

Tilpas patronen, indtil åbningen er lidt større end skaftet på det bor, du skal bruge. Sæt boret i patronen. Spænd patronen omkring boret som beskrevet nedenfor (nøggleløs patron).

Indstilling af omdrejningshastighed

Begge omdrejningshastigheder kan ændres fra nul til maksimum ved at ændre det tryk, der lægges på udløseren. Så kan du vælge den optimale hastighed til den opgave, du er i gang med. Brug den lave hastighed til at spænde eller løsne skruer (position I på gearvælgeren (3)).

Sådan vælger du omdrejningshastighed

Vælg en lav hastighed, når du borer i metal, plast eller keramiske materialer, når du bruger skruetrækkerfunktionen eller udfører arbejde, der kræver et højt spændingsmoment. Vælg en høj hastighed, når du borer i træ (position 2 på gearvælgeren (3)).

Sådan ændrer du rotationsretningen

Du kan vende rotationsretningen med rotationsretningsomskifteren (4). Lås udløseren ved at sætte vælgeren i den midterste indstilling (mellem valgmulighederne for højre og venstre).

Sådan tilpasses spændingsmomentet

Drej spændingsmomentregulatoren (2) til den ønskede indstilling. Indstillingerne 1-19 bruges til at spænde eller løsne skruer (jo højere værdi, jo højere spændingsmoment). Vælg boresymbol, før du går i gang med at bore.

Nøggleløs patron

Boremaskinen har en nøggleløs patron, så det er nemt at fastgøre eller løsne bor eller skruetrækkerdele.

Når du skal åbne eller lukke patronen, skal du holde fast i den bageste ring (10) og dreje den forreste indsatspatron (11).



ADVARSEL: RISIKO FOR

FASTKLEMNING Lad være med at holde fast i den forreste indsatspatron med den ene hånd, samtidig med at du åbner eller lukker patronens kæber ved hjælp af skruetrækkerens/boremaskinens motor.

VEDLIGEHOLDELSE OG RENGØRING

Rotationsretningsomskifteren skal sættes i midterpositionen, før der indstilles på værktøjet (f.eks. vedligeholdelse, udskiftning af bor osv.) samt under transport og ved opbevaring. Hvis du ved en fejl kommer til at tænde værktøjet, kan du komme til skade.

Hold altid værktøjet og ventilationsåbningerne rene, så skruetrækkeren/boremaskinen fungerer sikkert og korrekt.

ANVISNINGER TIL MILJØVENLIG BORTSKAFFELSE

Hjælp med at beskytte miljøet

Information (til private husholdninger) om miljømæssigt ansvarlig bortskaffelse af elektrisk og elektronisk udstyr i overensstemmelse med WEEE-direktivet.



Dette symbol for elektriske og elektroniske produkter og den medfølgende dokumentation angiver, at disse produk-

ter ikke må bortskaffes sammen med almindeligt husholdningsaffald. Derimod skal produkterne afleveres på angivne indsamlingssteder, hvor de uden beregning bliver modtaget til bortskaffelse, behandling, genanvendelse eller genbrug. I nogle lande kan produkter også afleveres på salgsstedet, når du køber et tilsvarende nyt produkt. Ved at bortskaffe dette produkt korrekt hjælper du med at spare værdifulde naturressourcer og reducere de negative påvirkninger, som uansvarlig bortskaffelse og affaldshåndtering kan have på menneskers helbred og miljøet. Kontakt de relevante myndigheder der, hvor du bor, for at få oplysninger om det nærmeste WEEE-indsamlingssted. Ikke-godkendt bortskaffelse af denne type affald kan medføre bødestraf eller andre former for straf i henhold til gældende lovgivning.

Bortskaffelse af beskadigede/brugte batterier

Batterierne må ikke bortskaffes sammen med almindeligt husholdningsaffald, brændes eller smides i vandet. I overensstemmelse med loven skal beskadigede eller brugte batterier afleveres på det nærmeste indsamlingssted for batterier eller hos en relevant virksomhed. Manglende overholdelse af disse regler kan medføre bødestraf eller anden straf.

Information om bortskaffelse for brugere i virksomheder i lande uden for EU.



Dette symbol gælder kun i EU. Kontakt de relevante myndigheder eller detailvirksomheden i dit land for at få oplysninger om korrekt bortskaffelse af dette produkt.

FIXA skrúf/borvél Li-ion 14.4V**TÆKNILEGAR UPPLÝSINGAR**

Rafspenna: 14.4 V
 Tegund rafhlöðu: 1.3 Ah Lithium Ion
 Hleðslutæki: Rafspenna á svæðinu
 Hleðslutími: 3-5 klst.
 Stærð patrónu: 0.8-10 mm (1/32"-3/8")
 Stillanlegt tog: 19 + borun
 Hámarkstog: 16 Nm
 Hámarkssnúningshraði (ekkert álag):
 Stilling I 0-350/mín
 Stilling II 0-1200/mín
 Skrúfbitahaldari: 6 mm (1/4")
 Patróna: 10 mm (3/8"), sjálfherðandi,
 hraðsetning og -losun
 Þyngd: 1.1 kg (2.42 lbs)
 Tíringur (samkvæmt EN 60745-1,
 EN 60745-2-1, EN 60745-2-2):
 $a_{p,D}=2.5 \text{ m/s}^2$, $K=1.5 \text{ m/s}^2$,
 $a_{p,r}=2.5 \text{ m/s}^2$, $K=1.5 \text{ m/s}^2$
 Hljóð (samkvæmt EN 60745-1):
 Hljóðþrýstingur $L_{pa} = 69 \text{ dB (A)}$,
 $K_{pa} = 3 \text{ dB (A)}$
 Hljóðstyrkur $L_{wa} = 80 \text{ dB (A)}$,
 $K_{wa} = 3 \text{ dB (A)}$

YFIRLIT

Tölurnar vísa til númeranna á teikningu af vélinni á myndasíðunni.

1. Lyklalaus patróna
2. Togstillir
3. Girval
4. Rofi, rangsælis/réttisælis
5. Gikkur
6. Skrúfbitahaldari
7. Ljós
8. Straumbreytir fyrir hleðslutæki
9. Kló fyrir straumbreyti
10. Aftari hringur
11. Fremri hringur

NOTKUN

Þessa þráðlausu skrúf-/borvél má nota til að bora í við, málm, plast og mjúkan málm, og til að festa og losa skrúfur. Meðfylgjandi skrúfbitar henta fyrir þessar aðgerðir. Ekki er mælt með að aðrar aðgerðir séu framkvæmdar með meðfylgjandi skrúfbitum.

Þetta tæki ætti ekki að vera notað af einstaklingum (þar með töldum börnum) með skerta hreyfigetu eða skynjun, eða af þeim sem skortir reynslu eða þekkingu, nema þeim hafi verið kennt að nota það af ábyrgum aðila.

Gætið þess að hafa eftirlit með börnum og að þau leiki sér ekki með verkfærið.

SÉRTÆKAR ÖRYGGISLEIÐBEININGAR**ALMENNAR ÖRYGGISLEIÐBEININGAR****Varúð!**

Lesið allar leiðbeiningar. Ef ekki er farið eftir öllum öryggisleiðbeiningum gæti það orsakað raflost, eldsvoða og/eða alvarleg slys.

Geymið allar viðvaranir og leiðbeiningar.

Orðið „verkfæri“ í öllum leiðbeiningum hér að neðan á við um bæði verkfæri tengd beint við rafmagn og eins þráðlaus verkfæri sem ganga fyrir rafhlöðu. Geymið þessar leiðbeiningar.

Vinnusvæði

a. **Hafið vinnusvæðið snyrtilegt og vel upplýst.** Óreiða og slæm lýsing á vinnusvæði býður hættunni heim.

b. **Notið ekki verkfæri á stöðum þar sem getur skapast sprengihætta, til að mynda nálægt eldfimum vökva, gasi eða ryki.** Verkfæri geta gefið frá sér neista sem getur kveikt í ryki og gufum.

c. **Haldið börnum og nærstöddum fjarri vinnusvæði á meðan verkfærið er í notkun.** Ónæði getur orðið til þess að þú missir einbeitinguna.
Rafmagnsöryggi

a. **Nota verður viðeigandi innstungu fyrir kló verkfærisins.** Reynið aldrei að breyta klónni á nokkurn hátt. Notið ekki millistykki með jarðtengdum verkfærum. Notkun upprunalegra klóa og innstungna dregur úr hættu á raflosti.

b. **Forðist að snerta jarðtengda fleti, eins og leiðslur, ofna, eldavélar eða ísskápa.** Það getur aukið hættu á raflosti ef notandinn er tengdur jörð.

c. **Notið ekki verkfæri í regni eða bleytu.** Ef vatn kemst inn í verkfærið er hættu á raflosti.

d. **Farið vel með snúruna.** Notið snúruna aldrei til að bera verkfærið, draga það áfram eða til að kippa úr sambandi. Haldið snúrunni fjarri hita, olíu, beittum hlutum og hlutum á hreyfingu. Skemmd eða flækt snúra eykur hættu á raflosti.

e. **Þegar verkfæri er notað utandyra, þarf að nota framlengingarsnúru sem til þess er ætluð.** Það dregur úr hættu á raflosti.

f. **Ef ekki er komist hjá því að nota verkfærið við rök skilyrði ætti alltaf að nota útsláttaröryggi.** Það dregur úr hættu á raflosti.
Öryggi þitt

a. **Vertu vakandi, gættu að því sem þú gerir og notaðu almenna skynsemi við notkun verkfæra.** Notaðu ekki verkfæri þegar þú ert þreytt/ur eða undir áhrifum eiturlyfja, áfengis eða lyfja. Augnabliks einbeitingarskortur getur valdið alvarlegu slysi.

b. **Notið öryggisbúnað. Notið alltaf öryggisgleraugu.** Rétt notaður öryggisbúnaður eins og rykgríma, öryggisskór, öryggishjálmur og heyrnarhlíf dregur úr slyshættu.

c. **Gætið þess að ekki kvikni óvart á verkfærinu.** Gætið þess að slökkt sé á verkfærinu áður en því er stungið í samband. Ef haldið er á verkfæri með fingurinn á gikknum eða stungið í samband á meðan kveikt er á því, eykst slyshætta.

d. **Fjarlægjið smærri verkfæri sem hanga mögulega á verkfærinu, til að mynda skruflykla og slíkt, áður en kveikt er á því.**

e. **Teygðu þig ekki of langt. Hafðu alltaf góða fótfestu.** Þá hefurðu betri stjórn á verkfærinu ef eitthvað óvænt gerist.

f. **Vertu í viðeigandi klæðnaði.** Vertu ekki í of viðum fatnaði eða með hangandi skartgripi. Haltu hári, fötum og hönskum fjarri hlutum sem snúast. Víð föt, skartgripir eða sitt hár geta festis í hlutum verkfærisins sem snúast.

g. **Gætið þess að nota aukahluti eins og ryksafnara á réttan hátt.** Notkun slíks búnaðar getur dregið úr slysaþættu.

Notkun og umhirða verkfærisins

a. **Þvingið ekki verkfærið. Notið rétt verkfæri fyrir hvert verkefni.** Rétt valið verkfæri vinnur verkefnið betur og á öruggari hátt.

b. **Notið ekki verkfærið ef það fer ekki í gang þegar kveikt er á því.** Verkfæri sem ekki er hægt að kveikja á eða slökkva á eðlilegan hátt er hættulegt og þarfnast viðgerðar.

c. **Takið úr sambandi áður en átt er við verkfærið á nokkurn hátt, skipt um aukahluti eða það sett í geymslu.** Slíkar varúðarráðstafanir draga úr líkum á að það fari óvænt í gang.

d. **Geymið verkfæri sem ekki eru í notkun þar sem börn ná ekki til og leyfið ekki óvönum að nota verkfærið.** Verkfæri eru hættuleg í höndum óþjálfaðra.

e. **Haldið verkfærum vel við. Athugið reglulega hvort hlutar þess hafi skekkst eða skemmst, eða hvort það sé skemmt á nokkurn annan hátt sem gæti orðið til þess að það virki ekki sem skyldi. Ef það er skemmt þarf að láta gera við það áður en það er notað.** Mörg slysa má rekja til slælegs viðhalds.

f. **Haldið verkfærum sem notuð eru til skurðar beittum og hreinum.** Hnifar og blöð sem haldið er beittum eru ólíklegri til að standa á sér og láta betur að stjórn.

g. **Notið verkfærið, fylgihluti, skurfbíta og annað í samræmi við leiðbeiningar og á tilætlaðan hátt í hverju tilviki fyrir sig. Takið alltaf tillit til aðstæðna og verkefnis.** Notkun verkfærisins í öðrum en tilætluðum tilgangi eykur slysaþættu.

h. **Haldið um einangraða hluta verkfærisins þegar hætta er á að skurðarhlutinn komist í snertingu við falda víra eða eigin snúru.** Ef skurðarblað kemst í snertingu við „lifandi“vír getur það leitt strauminn í bera málmhluta verkfærisins og valdið raflosti hjá notandanum.

Notkun og umhirða rafhlöðu

a. **Notið aðeins hleðslutæki sem samþykkt er af framleiðanda.** Hleðslutæki sem hentar einni rafhlöðu gæti valdið eldhættu ef notað með annarri rafhlöðu.

b. **Notið aðeins rafhlöður sem ætlaðar eru þessu verkfæri.** Ef notaðar eru aðrar rafhlöður getur skapast slysa- og eldhætta.

c. **Þegar rafhlöðurnar eru ekki í notkun ætti að geyma þær fjarri öðrum málmhlutum eins og bréfastemum, smámynt, lyklum, nöglum, skrúfum og öðrum smáhlutum úr málm sem geta leitt straum.** Skammhlaup í rafhlöðunum getur valdið brunasárum eða eldhættu.

d. **Við slæma meðhöndlun gæti rafhlaðan lekið. Snertið ekki vökvann. Ef vökvinn kemst í snertingu við húð á að skola með vatni. Ef vökvinn berst í augu þarf að leita læknis.** Vökvi sem lekur úr rafhlöðu getur valdið óþægindum eða bruna.

Viðhaldspjónusta

a. **Nýtið ykkur aðstoð fagmanns sem notar upprunalega varahluti, til að geta við verkfærið.**

Það tryggir viðvarandi öryggi verkfærisins.
SÉRTÆKAR ÖRYGGISLEIÐBEININGAR

Öryggisviðvaranir fyrir bor- og skrúfvelar

Notið viðeigandi nema til að meta hvort faldir vírar eða pípur séu þar sem á að bora/skrúfa. Ef borað eða skrúfað er í rafmagnslínur getur það valdið eldsvoða og raflosti. Ef gaspípa er skemmd getur það valdið sprengihættu. Ef vatnspípa er skemmd getur það valdið meiri skemmdum eða raflosti.

Slökkvið tafarlaust á verkfærinu ef það festist. Verið viðbúin því að tugið aukist og verkfærið geti rykkst til.

Borinn/skrúfbitinn getur stöðvast ef:

- Átakið er of mikið eða ef hann festist í viðfangsefninu.

Haldið þétt um verkfærið. Það getur rykkst til við átakið þegar byrjað er að bora/skrúfa.

Hafið verkfærið stöðugt. Verkfæri sem haldið er á sínum stað með þvingum eða í skrufstykki er mun öruggara en það sem haldið er með handafi.

Haldið vinnusvæðinu hreinu. Það er sérstaklega varasamt ef mismunandi efni blandast saman. Ryk úr málmblöndum er eldfimt og getur sprungið.

Bíðið alltaf þar til borinn/skrúfbitinn hefur stöðvast að fullu áður en verkfærið er lagt niður. Annars er hættu á að hann festist og það leitt til þess að þú missir stjórn á verkfærinu.

Gætið þess að verkfærið fari ekki óvart í gang. Tryggið að gikkurinn sé stilltur á öff áður en rafhlaðan er sett í. Það býður slysunum heim að halda á verkfærinu með fingurinn á gikknum eða setja rafhlöðuna í þegar aðalrofinn er stilltur á on.

Öryggisviðvaranir fyrir rafhlöðuhleðslutæki



Aðeins til nota innandyrá.



Tvöföld einangrun.

Haldið hleðslutækinu fjarri regni og raka. Ef raki kemst inn í tækið eykur það hættu á raflosti.

Hlaði ekki aðrar rafhlöður í tækinu. Hleðslutækið er aðeins ætlað rafhlöðunum sem fylgja með verkfærinu þínu. Annars getur myndast eld- og sprengihætta.

Haldið hleðslutækinu hreinu. Öhreiniindi geta leitt til hættu á raflosti.

Fyrir hverja notkun ætti að fara yfir hleðslutækið, snúruna og klóna. Ef einhverjar skemmdir koma í ljós á alls ekki að nota tækið. Opnið aldrei hleðslutækið sjálft. Látið faglærðan aðila um viðgerðir. Skemmd hleðslutæki, snúrur eða klær auka hættuna á raflosti.

Látið hleðslutækið ekki standa á, eða nálægt, eldfimu efni þegar það er í notkun (eins og pappír, vefnaðarvöru o.fl.). Hitnun hleðslutækisins meðan á hleðslu stendur getur valdið eldhættu.

Gætið þess að börn leiki sér ekki með hleðslutækið.

TITRINGUR

Titringsur

Titringsmengun sem gefin er upp í þessum leiðarvísni hefur verið mæld í samræmi við staðlað próf reglugerðar EN 60745; það gefur færi á að bera verkfæri saman og má nota til að meta titringsmengun sem notandi verkfærisins verður fyrir. Ef verkfærið er notað til annars en nefnt er í þessum leiðarvísni, eða með öðrum varahlutum, getur titringsmengun aukist umtalsvert.

Við mat á titringsmengun ætti einnig að taka tillit til hversu mikið slökkt er á tækinu eða það í gangi án þess að það sé í notkun, þar sem titringsmengunin er þá minni yfir heildarvinnutímann.

Verndaðu þig fyrir áhrifum titrings með því að halda verkfærinu og fylgihlutum þess vel við, halda höndunum heitum og með því að skipuleggja vinnuna vel.

SAMSETNING

Áður en átt er við vélinu sjálfa (eins og við viðhald eða skipti á verkfæri), og eins þegar hún er flutt á milli staða eða í geymslu, þarf að miðjustilla rofa sem stjórnar snúningsátt. Það getur valdið slysaþættu að þrýsta óvart á gikkinn.

RAFHLÖÐURNAR HLAÐNAR

Svona á að hlaða skrúf-/borvélinu

Rauða ljósið á vélinni kviknar þegar hleðslutækið er tengt við rafmagn. Ljósið logar á meðan rafhlaðan er að hlaðast (7).

Miðað við almenna notkun ætti að

vera hægt að endurhlaða rafhlöðu skrúfvélarinnar nokkur hundruð sinnum.

ATHUGIÐ! Rafhlaðan hitnar við hleðslu.

Takið eftir: Rafhlaðan sem fylgir þessari vél er aðeins hlaðin til að hægt sé að prófa vélinu og ætti því að hlaða hana að fullu fyrir fyrstu notkun.

Lesið fyrst öryggisleiðbeiningar og fylgið síðan leiðbeiningum um hleðslu. Stingið kló hleðslutækisins í innstungu á skrúf-/borvélinni. Stingið svo straumbreyti fyrir hleðslutækið í samband.

Gætið þess að snúran beyglist ekki eða að á hana komi ekki hnútur.

Straumbreytirinn og rafhlaðan eru sérstaklega hönnuð til að nota saman.

Notið **ALDREI** þetta hleðslutæki til að hlaða þráðlaus verkfæri eða rafhlöður frá öðrum framleiðendum. Rafhlaðan missir hleðsluna smátt og smátt, jafnvel þó verkfærið sé ekki í notkun.

Lithium-Ion rafhlaðan er vernduð af ECP (Electronic Cell Protection) gegn því að rafhlaðan tæmist um of. Ef hún er að tæmast, slekkur verndarrás á henni: Verkfærið hættir þá að snúast.



VARÚÐ Haldið ekki áfram að ýta á On/Off rofann eftir að vélin hefur stöðvast sjálfkrafa. Þá getur rafhlaðan skemmst.



VARÚÐ! Hlaðið ekki rafhlöðuna á eldfimu yfirborði. Hlaðið rafhlöðuna ekki lengur en átta klukkustundir í einu. Rauða ljósið verður grænt þegar

rafhlaðan er fullhlaðin.

Takið snúruna úr sambandi og geymið hleðslutækið á viðeigandi stað þegar það er ekki í notkun.

Ekki er ráðlegt að hlaða rafhlöðuna við hitastig fyrir neðan frostmark.

Þegar fjarlægja á rafhlöðuna þarf að þrýsta á gíkkinn (5) þar til öll hleðsla er búin. Losið skrúfnar úr vélarhúsinu og takið hlífina af. Klippið á vírana og fjarlægjið rafhlöðuna (sjá mynd A).

NOTKUNARLEIÐBEININGAR

Notkun verkfærisins

Athugið: Mögulega má sjá neistaflug í gegnum vélarhlífina þegar borvélin er í notkun. Neistaflugið er eðlilegt þegar vélin er í gangi og stafar af núningi mismunandi hluta hennar. Þetta hefur ekki áhrif á virkni verkfærisins. Við mælum þó ekki með að það sé notað nærri eldfimum vöknum, gasi eða ryki, sem neistarnir gætu kveikt í.

Borar/skrúfbitar settir í

Áður en átt er við vélina sjálfa (eins og við viðhald eða skipti á verkfæri), og eins þegar hún er flutt á milli staða eða í geymslu, þarf að miðjustilla rofa sem stjórnar snúningsátt. Það getur valdið slysaþættu að þrýsta óvart á gíkkinn. Stillið patrónuna þannig að opið sé örlítið stærra en endi borsins/skrúfbitans sem á að nota. Setjið borinn/skrúfbitann í patrónuna. Herðið patrónuna utan um borinn/skrúfbitann eins og lýst er hér að neðan (Sjálferðandi patróna).

Stjórn á snúningshraða

Hægt er að stjórna snúningshraðastillingunum tveimur frá

núlli upp í mesta hraða með því að þrýsta misfast á gíkkinn. Þannig getur þú valið kjörhraða miðað við verkefnið sem unnið er að. Notið lægri stillingu til að festa og losa skrúfur (stilling 1 á gírvalinu (3)).

Snúningshraði valinn

Notið lítinn hraða þegar byrjað er að bora í málm, plast og keramik, þegar skrufstillingin er notuð eða þegar unnin eru verkefni sem krefjast mikils togs. Notið meiri hraða þegar borað er í við (stilling 2 á gírvalinu (3)).

Snúningsátt breytt

Hægt er að breyta snúningsáttinni með því að nota rofann sem stjórnar snúningsátt (4). Til að læsa gíkknum þarf að setja rofann í miðjustillingu.

Átakið stillt

Snúið togstillinum (2) í æskilega stöðu. Stillingar 1-19 eru til að losa og festa skrufur (því hærrí tala, því meira snúningsátak). Veljið borstillingu áður en vélin er notuð til að bora.

Lyklalasa patróna

Vélin er með lyklalasa patrónu þannig að skipti á bor/skrúfbita eru einföld. Patrónan er opnuð/henni lokað með því að halda við aftari hringinn (10) og snúa fremri hringnum (11).



VARÚÐ: SLYSAHÆTTA

Haldið ekki um fremri hringinn á patrónunni á sama tíma og hún er opnuð eða henni lokað með vélarafli.

VIÐHALD OG ÞRIF

Áður en átt er við vélina sjálfa (eins og við viðhald eða skipti á verkfæri), og eins þegar hún er flutt á milli staða eða í geymslu, þarf að miðjustilla rofa sem stjórnar snúningsátt. Það getur valdið slysaþættu að þrýsta óvart á gíkkinn.

Til að tryggja örugga og eðlilega virkni ætti alltaf að halda loftræstigötum hreinum.

**LEIÐBEININGAR FYRIR
UMHVERFISVÆNA FÖRGUN
Leggðu þitt af mörkum til að vernda umhverfið**

Upplýsingar (til einkanota) varðandi umhverfisvæna förgun rafeindasorps (WEEE reglugerðin)



Merki þetta á vöru eða meðfylgjandi gögnum þýðir að henni megi ekki farga með almennu heimilissorpi þegar notkun hennar er lokið. Vöruna þarf að fara með á förgunarstöð þar sem tekið er við henni endurgjaldslaust og henni fargað á viðeigandi hátt fyrir rafeindasorp. Í sumum löndum er ef til vill mögulegt að fara með vöruna til seljanda til förgunar, ef keypt er ný samskonar vara. Með því að farga vörunni á réttan hátt er farið vel með dýrmætar náttúruauðlindir og komið í veg fyrir möguleg slæm áhrif á heilsu fólks eða umhverfið vegna rangrar förgunar eða meðhöndlunar. Hafid vinsamlega samband við yfirvöld á hverju svæði til að fá upplýsingar um næstu förgunarstöð. Röng meðhöndlun rafeindasorps getur varðað við lög í sumum löndum.

Förgun gallaðra eða notaðra rafhlaðna

Notuðum rafhlöðum ætti ekki að farga með heimilissorpi. Tekið er við rafhlöðum á endurvinnslustöðvum, bensínstöðvum, raftækjaverslunum og víðar.

Til fyrirtækja í löndum utan Evrópusambandsins.



Þetta merki á aðeins við innan Evrópusambandsins. Hafid vinsamlega samband við yfirvöld á hverjum stað til að fá upplýsingar um rétta förgun þessarar vöru.

FIXA skrutrekker/drill Li-ion 14,4 V**TEKNISKE DATA**

Spenning: 14,4 V
 Batteritype: 1,3 Ah litium-ion
 Lader: Lokal nettspenning
 Oppladningstid: 3–5 timer
 Patronstørrelse: 0,8–10 mm
 Innstillbart dreiemoment: 19 + boring
 Maks. spenningsmoment: 16 Nm
 Maks. omdr./minutt (hastighet uten belastning):
 Posisjon I 0–350/min.
 Posisjon II 0–1200/min.
 Holder til bor: 6 mm
 Patron: 10 mm, nøkkelløs patron med hurtig montering/demontering av bor
 Vekt: 1,1 kg
 Vibrasjon (i henhold til EN 60745-1, EN 60745-2-1, EN 60745-2-2):
 $a_h, D=2,5 \text{ m/s}^2, K=1,5 \text{ m/s}^2,$
 $a_n=2,5 \text{ m/s}^2, K=1,5 \text{ m/s}^2$
 Støy (i henhold til EN 60745-1):
 Støyeffektnivå $L_{pa} = 69 \text{ dB (A)},$
 $K_{pa} = 3 \text{ dB (A)}$
 Støytrykksnivå $L_{wa} = 80 \text{ dB (A)},$
 $K_{wa} = 3 \text{ dB (A)}$

FUNKSJONER

Nummereringen av produktets funksjoner under henviser til tegningen av skrutrekker/drillen på illustrasjonssiden.

1. Nøkkelløs patron
2. Regulator, spenningsmoment
3. Gearvelger
4. Rotasjonsretningsomskifter
5. Trinnløs variabel hastighetskontroll/ utløser
6. Holder til skrutrekkerdel
7. Lampe
8. Transformer til lader
9. Transformerstøpsel
10. Bakerste ring
11. Fremre innsatspatron

BRUKSOMRÅDER

Den trådløse skrutrekker/drillen kan brukes til å bore i tre, plast og bløtt metall, og til å stramme eller løsne skruer. De medfølgende borene er velegnede til å bore i ovennevnte materialer. Det anbefales ikke å bruke borene til å bore i andre materialer.

Produktet er ikke beregnet til bruk av personer (herunder barn) med psykiske funksjonshemming eller manglende erfaring eller viten, med mindre de er under oppsyn eller har fått veiledning av en person, som er ansvarlig for deres sikkerhet.

Barn skal overvåkes for å sikre at de ikke leker med verktøyet.

**MASKINSPESIFIKKE
SIKKERHETSINSTRUKSJONER****GENERELLE
SIKKERHETSINSTRUKSJONER****Advarsel!**

Les alle instruksjonene. Dersom du ikke følger alle instruksjonene under, kan dette føre til elektrisk støt, brann og/ eller alvorlig personskade.

Spar på alle advarsler og instruksjoner for fremtidig bruk.

Uttrykket «elektroverktøy» i alle advarslene under refererer til ditt verktøy som drives med elektrisk strøm eller batteri.

Sikkert arbeidsområde

a. **Hold arbeidsområdet rent og godt opplyst.** Rot og mørke områder gir større fare for ulykker.

b. **Ikke bruk elektroverktøy i eksplosive miljøer, som i nærheten av lettantennelige væsker, gass eller støv.** Elektroverktøy gir gnister som kan antenne dunst fra væsker og gass.

c. **Hold barn og tilskuere unna mens du bruker elektroverktøy.** Distraksjoner kan føre til at du mister kontroll.

Elektrisk sikkerhet

a. **Kontakten til elektroverktøyet må passe til kontakten i veggen. Du må aldri endre på kontakten på noen måte. Ikke bruk adaptere til jordet verktøy.** Intakte og matchende kontakter vil redusere faren for elektrisk støt.

b. **Unngå kroppskontakt med jodede overflater slik som rør, radiatorer, komfyrer og kjøleskap.** Faren for elektrisk støt er større dersom din kropp er jordet.

c. **La ikke elektroverktøy bli utsatt for regn eller fuktige forhold.** Dersom det kommer inn vann i et elektroverktøy øker faren for elektrisk støt.

d. **Ikke skad kablen. Bruk aldri kablen til å bære eller dra elektroverktøyet eller for å dra ut stikkkontakten. Hold ledninger borte fra høye temperaturer, olje, skarpe kanter eller bevegelige deler.** Skadede eller sammenfiltrede kabler øker faren for elektrisk støt.

e. **Når du bruker elektroverktøy utendørs må skjøteledningen være egnet for utendørs bruk.** Dersom man bruker en skjøteledning for utendørs bruk reduseres faren for elektrisk støt.

f. **Hvis du ikke kan unngå å bruke elektroverktøyet i fuktige omgivelser, skal du bruke en beskyttelsesenhet til reststrøm (RCD).** Bruk av RCD reduserer risikoen for å få elektrisk støt.

Personlig sikkerhet

a. **Vær forsiktig, se på hva du gjør og bruk vanlig fornuft når du bruker elektroverktøy. Ikke bruk elektroverktøy når du er trøtt eller påvirket av narkotika, alkohol eller medisin.** Et øyeblikks uoppmerksomhet når du bruker elektroverktøy kan føre til alvorlig personskade.

b. **Bruk verneutstyr. Bruk alltid vernebriller.** Sikkerhetsutstyr som støvmaske, vernesko som ikke glir, hjelm og hørselsvern brukt når forholdene krever det vil redusere faren for personskade.

c. **Unngå start ved et uhell. Sørg for at bryteren er i av-posisjon før du setter i ledningen.** Å bære elektroverktøy med fingeren på bryteren, eller å sette i kontakten på verktøy som har bryteren i på-posisjon inviterer ulykker.

d. **Ta av verktøy som for eksempel en skiftenøkkel før du skruer elektroverktøyet på.** Manuelt verktøy som er festet til den roterende delen av elektroverktøyet kan føre til alvorlig personskade.

e. **Ikke strekk deg for langt. Stå på stødig underlag og med god balanse.**

Dette gir bedre kontroll over verktøyet i uventede situasjoner.

f. Kle deg riktig. Ikke bruk løstsittende klær eller smykker. Hold hår, klær og hansker unna bevegelige deler. Løse klær m.m. kan sette seg fast.

g. Dersom det følger med innretninger som kan kobles til for å samle opp støv, sørg for at disse er koblet til og brukes riktig. Bruk av disse kan redusere støvrelaterte skader.
Bruk og vedlikehold av elektroverktøy

a. Ikke prøv å tvinge elektroverktøy. Bruk riktig verktøy for oppgaven. Riktig elektroverktøy vil gjøre jobben bedre og tryggere og så raskt som det er designet for.

b. Ikke bruk elektroverktøy dersom bryteren ikke lar seg skru av og på. Ethvert verktøy som ikke kan kontrolleres med bryteren er farlig og må repareres.

c. Trekk ut kontakten før du gjør justeringer, endrer bits, tilbehør eller pakker bort verktøyet. Slike forebyggende sikkerhetstiltak reduserer faren for å starte opp verktøyet ved et uhell.

d. Oppbevar elektroverktøy utenfor rekkevidde for barn og ikke la personer som ikke er kjent med denne typen verktøy eller disse instruksjonene utføre oppgaver med verktøyet. Elektroverktøy er farlig i hendene på uerfarne brukere.

e. Vedlikehold av elektroverktøy. Sjekk verktøyet og se etter skjev innstilling av eller låsing av bevegelige deler, ødelagte deler og andre forhold som kan påvirke bruken

av verktøyet. Mange uhell skjer på grunn av dårlig vedlikehold av elektroverktøy.

f. Hold skjæreverktøy skarpt og rent. Godt vedlikeholdt skjæreverktøy med skarpe skjærekanten har mindre sjanser for at de låser seg og gjør dem lettere å kontrollere.

g. Bruk elektroverktøy, tilbehør og bits m.m. i henhold til disse instruksjonene og til den bruker dette elektroverktøyet er beregnet for også med tanke på arbeidsforhold og arbeidsoppgaver. Bruk av elektroverktøy på andre måter enn det er beregnet for kan resultere i farlige situasjoner.

h. Hold på elektroverktøyet på de isolerte gripeområdene, når du utfører arbeid der tilbehøret kan komme i kontakt med skjulte ledninger eller strømkabler. Hvis fastelementet får kontakt med en strømførende ledning, kan de blottlagte metalldelene på verktøyet også bli strømførende og kan gi brukeren elektrisk støt.

Batteridrevet verktøy og vedlikehold

a. Lades opp kun med den laderen som er angitt av produsenten. En lader som passer til en batteripakke kan gi brannfare hvis den brukes med en annen batteripakke.

b. Bruk kun elektroverktøy sammen med de batteriene som er angitt. Hvis det brukes andre batterier, kan det oppstå fare for personskaade og brann.

c. Når batteriet ikke er i bruk, skal det holdes borte fra andre metallgjenstander, f.eks. binders,

mynter, nøkler, stift, skruer eller andre små metalldele, som kan skape forbindelse mellom batteripolene.

Kortslutning av batteripolene kan forårsake forbrenning eller brann.

d. Under for tøffe forhold kan det lekke væske fra batterier, unngå kontakt med denne væsken. Dersom du ved et uhell kommer i kontakt med væsken, skylld med vann. Dersom du får væsken i øynene, søk medisinsk hjelp. Væske som spruter fra batterier kan gi irritasjon eller brannår.

Reparasjon

a. Bruk en kvalifisert reparatør som bruker originale reservedeler for å reparere ditt elektriske verktøy.

Dette vil sikre at verktøyet fungerer som det skal.

MASKINSPEKIFIKKE SIKKERHETSANVISNINGER

Sikkerhetsadvarsler for driller og skrutrekere

Bruk passende detektorer til å avgjøre om det kan skjule seg skjulte strøm-/gassledninger eller vannrør i arbeidsområdet ditt, eller ring ditt lokale strømforsyningselskap for assistanse. Kontakt med elektriske ledninger kan medføre brann og elektrisk støt. Skader på en gassledning kan medføre eksplosjon. Gjennomslag av et vannrør kan medføre materiell skade eller elektrisk støt.

Slå straks av elektroverktøyet, dersom verktøyinnsatsen blokkeres. Vær oppmerksom, dersom elektroverktøyet arbeider med høye reaksjonsmomenter, da det kan

medføre tilbakeslag. Verktøyinnsatsen blokkeres, hvis

- elektroverktøyet overbelastes,
- eller hvis det setter seg fast i arbeidsemnet.

Hold godt fast i elektroverktøyet. Når skruer spennes og løsnes, kan det oppstå korte, høye reaksjonsmomenter.

Bruk klemmer eller en skruestikke for å holde fast materialene du arbeider med. Det er tryggere enn å holde dem med den hånden du har ledig og frigjør begge hender til bruk av verktøyet.

Hold arbeidsplassen din ren. Der kan oppstå farlige situasjoner, hvis forskjellige materialer blir blandet. Lettmetallstøv kan brenne eller eksplodere.

Legg først elektroverktøyet fra deg, når det er stanset helt.

Verktøyinnsatsen kan blokkeres, og du kan miste kontrollen over elektroverktøyet.

Unngå å slå på verktøyet ved en feil. Kontroller at på-/avknappen er av, før batteriet settes i. Unngå å bære elektroverktøyet med fingeren plassert på på-/avknappen, eller å sette batteriet i verktøyet, når det er på, da det kan medføre ulykker.

Unngå å slå på verktøyet ved en feil. Kontroller at på-/avknappen er av, før batteriet settes i. Unngå å bære elektroverktøyet med fingeren plassert på på-/avknappen, eller å sette batteriet i verktøyet, når det er på, da det kan medføre ulykker.

Sikkerhetsadvarsler for batteriladere



Kun for innendørs bruk.



Dobbeltisolert.

Hold batteriladeren borte fra regn og fukt. Hvis det trenger vann inn i batteriladeren, stiger risikoen for å få elektrisk støt.

Lad ikke opp andre typer batterier. Batteriladeren er kun beregnet til å lade opp de batteriene som leveres med dette elektroverktøyet. Hvis den brukes til andre batterier, kan det oppstå risiko for brann eller eksplosjon.

Hold batteriladeren ren. Hvis den er tilsmusset, kan det oppstå fare for å få elektrisk støt.

Kontroller batterilader, ledning og støpsel før hver bruk. Dersom de er skadet, må batteriladeren ikke brukes. Forsøk aldri å åpne batteriladeren selv. Reparasjoner skal kun utføres av fagpersoner. Skadede batteriladere, ledninger og støpsel øker risikoen for å få elektrisk støt.

Batteriladeren må ikke brukes på lettantennelige overflater (f.eks. papir, tekstiler osv.) eller i brannfarlige omgivelser. Batteriladeren blir varm under oppladingsprosessen, og det kan medføre brannfare.

Barn skal overvåkes for å sikre at de ikke leker med batteriladeren.

VIBRASJONSINFORMASJON

Vibrasjonsnivå

Vibrasjonsutslippsnivået som er oppgitt i dette instruksjonsheftet er målt i henhold til en standardisert test oppgitt i EN60745; den kan brukes til å sammenligne et verktøy med et annet og som foreløpig vurdering av utsatthet for vibrasjon når man bruker verktøyet som er nevnt.

Bruk av verktøyet til andre bruksområder eller med annet eller dårlig vedlikeholdt tilbehør, kan vesentlig øke hvor utsatt brukeren blir.

Et estimat over tiden som brukeren utsettes for vibrasjon bør også ta med når verktøyet er slått av, eller når det er på men ikke brukes, fordi dette kan vesentlig redusere nivået for hvor utsatt man er.

Beskytt deg mot effekten av vibrasjon ved å vedlikeholde verktøyet og dets tilbehør, holde hendene varme og ha et godt organisert arbeidsmønster.

MONTERING

Rotasjonsretningsomskifteren skal settes i midtposisjon før verktøyet justeres (f.eks. vedlikehold, utskifting av bor osv.) samt under transport og ved oppbevaring. Hvis du ved en feil kommer til å slå på verktøyet kan du komme til skade.

BATTERILADING

Slik lader du din skrutrekker/drill

Når laderen er tilkoblet strømmettet, lyser den røde lampen på skrutrekker/drillen. Lampen lyser, når batteriet lades opp (7).

Ved normal bruk kan skrutrekker/drillen lades opp flere hundre ganger.

MERK! Gjenoppladingsprosessen gjør batteriet varmt.

Merk: Batteriet, som leveres med skrutrekkeren/drillen, er utelukkende ladet opp som ledd i en test og må fullades før bruk.

Les først sikkerhetsanvisningene, og følg deretter anvisningene for å sette

inn batteri. Sett transformerens støpsele i kontakten på skrutrekker/drillen. Tilslutt deretter laderens transformer til strømmettet.

Sørg for, at det ikke finnes knuter eller skarpe knekk på ledningen.

Laderens transformer og batteri er designet for å brukes sammen.

Laderen må **ALDRIG** brukes til å lade trådløst verktøy eller batterier fra andre produsenter. Batteriet blir gradvis utladet over tid, også selv om verktøyet ikke brukes.

Litium-ion-batteriet er beskyttet mot fullstendig utlading av ECP-batteribeskyttelse. Når batteriet er tomt slås verktøyet av ved hjelp av et beskyttelseskreisløp, og bor som er satt i skrutrekker/drillen slutter å rotere.



ADVARSEL! Unngå å trykke på på-/avknappen, når verktøyet er slått av automatisk, da dette kan skade batteriet.



ADVARSEL! Batteriet må kun lades opp på en ikke-brennbar overflate. Batteriet må ikke lades opp i mer enn 8 timer. Den røde lampen lyser grønt når batteriet er fulladet.

Trekk støpselet ut av kontakten, og oppbevar transformeren et passende sted, når den ikke er i bruk.

Det anbefales ikke å lade opp batteriet i temperaturer under frysepunktet.

Når du skal ta batteriet ut av skrutrekkeren/drillen, skal du aktivere på-/avknappen (5), til batteriet er helt utladet. Løsne skruene på dekslet, og ta det av. Avmonter batteritilkoblingene og ta batteriet ut (se illustrasjon A).

BRUKERINSTRUKSJONER

Slik bruker du verktøyet

Merk: Det forekomme gnister som er synlige gjennom åpningene i motorhuset når verktøyet brukes. Gnistene er en normal reaksjon når motoren er i bruk og skapes når delene inne i motoren beveger seg mot hverandre. Verktøyets funksjon påvirkes ikke av dette. Vi anbefaler likevel at du ikke bruker dette elektroniske verktøyet i nærheten av brennbare væsker, gasser eller støv, som gnistene kan antenne.

Montering av skrutrekkerdeler/bor

Rotasjonsretningsomskifteren skal settes i midtposisjon, før verktøyet justeres (f.eks. vedlikehold, utskifting av bor osv.) samt under transport og ved oppbevaring. Hvis du ved en feil kommer til å slå på verktøyet, kan du komme til skade. Tilpass patronen, til åpningen er litt større enn skaftet på det boret du skal bruke. Sett boret i patronen. Spenn patronen rundt boret som beskrevet nedenfor (Nøkkelløs patron).

Innstilling av omdreiningshastighet

Begge omdreiningshastigheter kan endres fra null til maksimum ved å endre det trykket, som legges på utløseren. Så kan du velge den optimale hastigheten til den oppgaven du er i gang med. Bruk den lave hastigheten til å stramme eller løsne skruer (posisjon 1 på gearvelgeren (3)).

Slik velger du omdreiningshastighet

Velg en lav hastighet, når du borer i metall, plast eller keramiske materialer, når du bruker skrutrekkerfunksjonen eller utfører arbeid som krever et høyt spenningsmoment. Velg en høy hastighet, når du borer i tre (posisjon 2 på gearvelgeren (3)).

Slik endrer du rotasjonsretningen

Du kan vende rotasjonsretningen med rotasjonsretningsomskifteren (4). Lås utløseren ved å sette velgeren i den midterste innstilling (mellom valgmulighetene for høyre og venstre).

Sådan tilpasses spenningsmomentet

Drei spenningsmomentregulatoren (2) til den ønskede innstilling. Innstillingene 1-19 brukes til å stramme eller løsne skruer (jo høyere verdi, jo høyere spenningsmoment). Velg boresymbol, før du går i gang med å bore.

Nøkkelløs patron

Drillen har en nøkkelløs patron, så det er enkelt å feste eller løsne bor eller skrutrekkerdeler.

Når du skal åpne eller lukke patronen, skal du holde fast i den bakerste ringen (10) og dreie den fremste innsatspatron (11).



ADVARSEL: FARE FOR FASTKLEMMING

Ikke hold fast i den fremste innsatspatron med en hånd samtidig som du åpner eller lukker patronens kjeve ved hjelp av skrutrekkerens/drillens motor.

VEDLIKEHOLD OG RENGJØRING

Rotasjonsretningsomskifteren skal settes i midtposisjon, før verktøyet

justeres (f.eks. vedlikehold, utskifting av bor osv.) samt under transport og ved oppbevaring. Hvis du ved en feil kommer til å starte verktøyet, kan du komme til skade.

Hold alltid verktøyet og ventilasjonsåpningene rene, slik at skrutrekker/drillen fungerer sikkert og korrekt.

INSTRUKSJONER FOR MILJØVENNLIG AVFALLSDEPONERING

Hjelp til å beskytte miljøet

Informasjon (for privathusholdninger) om miljøvennlig kasting av elektrisk og elektronisk utstyr i henhold til direktivet for elektriske og elektroniske produkter.



Dette symbolet på elektriske og elektroniske produkter og medfølgende dokumentasjon indikerer at disse produktene ikke kan kastes med vanlig husholdningsavfall. I stedet skal disse produktene leveres kostnadsfritt tilbake til et IKEA-varehus, eller til et innsamlingspunkt for spesialavfall for enten å kastes, behandles, gjenbrukes eller resirkuleres. Ved å kvitte deg med dette produktet på riktig måte bidrar du til å spare verdifulle naturressurser og eliminere de negative effektene som uansvarlig kasting og håndtering av avfall kan ha på helse og miljø. Kontakt relevante lokale myndigheter dersom du trenger informasjon om nærmeste innsamlingspunkt for elektriske og elektroniske produkter. Ulovlig kasting av denne type avfall kan føre til bøter eller andre straffereaksjoner i henhold til gjeldende lover og forskrifter.

Avskaffelse av batterier

Batteriene må ikke avskaffes sammen med vanlig husholdningsavfall. I overensstemmelse med loven skal skadede eller brukte batterier avleveres på nærmeste innsamlingssted for batterier eller hos en relevant virksomhet, uten ekstra kostnad. Manglende overholdelse av disse reglene kan medføre bøter eller annen straff.

Informasjon om avhending for brukere utenfor EU.

Dette symbolet gjelder bare innenfor EU. Vennligst kontakt relevante myndigheter eller forhandler i ditt land for informasjon om korrekt metode for avhending av dette produktet.

FIXA-ruuvinväännin/akkuporakone Li-ion 14,4 V

TEKNISET TIEDOT

Jännite: 14,4 V
 Akku: 1,3 Ah litiumioniakku
 Laturi: paikallinen jännite
 Latausaika: 3–5 tuntia
 Istukan koko: 0,8–10 mm (1/32"-3/8")
 Säädetty momentti:
 19-portainen + poraus
 Suurin momentti: 16 Nm
 Tyhjäkäyntikierrosluku:
 Vaihe I 0–350/min
 Vaihe II 0–1200/min
 Ruuvauskärjen pidin: 6 mm (1/4")
 Istukka: 10 mm:n (3/8") pikaistukka,
 joka on nopea avata ja sulkea
 Paino: 1,1 kg (2.42 lbs)
 Värähtely (EN 60745-1, EN 60745-2-1 ja
 EN 60745-2-2 mukaan):
 a_{hv} = 2,5 m/s², K = 1,5 m/s²,
 a_{hr} = 2,5 m/s², K = 1,5 m/s²
 Ääni (EN 60745-1 mukaan):
 Äänen painetaso Lpa = 69 dB (A),
 Kpa = 3 dB (A)
 Äänen tehotaso Lwa = 80 dB (A),
 Kwa = 3 dB (A)

LAITTEEN OSAT

Alla olevat numeroidut kohdat viittaavat tämän vihkosen alkupäässä oleviin porakoneen piirroskuviin.

1. Pikaistukka
2. Vääntömomentin säätörengas
3. Vaihteenvalitsin
4. Pyörimissuunnan valitsin
5. Virtakytkin / Portaaton ruuvausnopeuden säädin
6. Ruuvauskärjen pidin
7. Valodiodi
8. Laturin muuntaja
9. Laturin liitin

10. Takimmainen rengas
11. Etummainen rengas

KÄYTTÖTARKOITUS

Tämä akkukäyttöinen ruuvinväännin/pora on tarkoitettu puun, muovin ja pehmeiden metallien poraamiseen ja ruuvien kiristämiseen/löysäämiseen. Laitteen mukana tulevat poranterät on tarkoitettu edellä mainittujen materiaalien poraamiseen. Näitä teriä ei ole suositeltavaa käyttää muita materiaaleja porattaessa.

Tämä laite ei ole tarkoitettu sellaisten henkilöiden (mukaan lukien lapset) käytettäväksi, joiden fyysinen tai psyykinen suorituskyky on alentunut tai joilla ei ole tarvittavaa kokemusta tai tietoa laitteen käyttämiseksi, elleivät he saa apua ja ohjeita laitteen käyttämiseksi henkilöiltä, joka vastaa heidän turvallisuudestaan.

Lapsia tulee valvoa, jotta he eivät pääse leikkimään laitteella.

LAITEKOHTAISTA TURVALLISUUSTIETOA

Sähkötyökalujen yleisiä turvallisuusohjeita



VAROITUS!



Lue kaikki ohjeet huolellisesti.

Ohjeiden noudattamatta jättäminen saattaa aiheuttaa sähköiskun, tulipalon ja/ tai vakavan loukkaantumisen.

Säilytä kaikki ohjeet myöhempää käyttöä varten.

Seuraavissa ohjeissa käytetään yleisnimitystä ”laite” sekä verkkovirralla toimivista että akkukäyttöisistä (johdottomista) laitteista.

Työskentelyalueen turvallisuus

a. Pidä työskentelyalue siistinä ja huolehdi hyvästä valaistuksesta.

Sotkuisessa ja hämärässä ympäristössä onnettomuusrisikki on suurempi.

b. Älä käytä laitetta ympäristössä, jossa on räjähdys- tai syttymisvaara, esimerkiksi helposti syttyvien nesteiden tai kaasun läheisyydessä tai pölyisessä tilassa. Laitetta käytettäessä syntyy kipinöitä, jotka voivat sytyttää nesteen, kaasun tai pölyn.

c. Rauhoita työskentelyalue muilta ihmisiltä, etenkin lapsilta.

Keskeytykset tai huomion kiinnittyminen muualle voivat saada sinut menettämään laitteen hallinnan.

Sähköturvallisuus

a. Laitteen pistotulpan on aina sovittava pistorasiaan. Älä koskaan muuntele pistotulppaa millään tavalla. Älä käytä maadoitetun laitteen kanssa muunnoskappaletta, jonka tarkoituksena on muuttaa maadoitettu pistorasia maadoittamattomaksi tai päinvastoin. Muuntelemattomat pistotulpat ja niiden kanssa yhteensopivat pistorasiat pienentävät sähköiskuvaaraa.

b. Laitetta käyttäessäsi vältä koskettamasta maadoitettuja esineitä, esimerkiksi putkia, lämpöpattereita, liettä tai jääkaappia. Jos kehosi on kosketuksissa maadoitettuun esineeseen,

sähköiskuvaara kasvaa.

c. Älä altista laitetta sateelle tai muuten märille olosuhteille. Laitteen sisään päästessään vesi aiheuttaa sähköiskuvaaran.

d. Huolehdi, että laitteen johto pysyy kunnossa. Älä koskaan kannata laitetta johdosta äläkä irrota laitetta pistorasiasta johdosta vetämällä. Suojaa johto kuumuudelta, öljyltä, teräviltä reunoilta ja liikkuvilta osilta. Vahingoittunut tai sotkeutunut johto kasvattaa sähköiskuvaaraa.

e. Jos käytät laitetta ulkotiloissa, varmista, että jatkojohto soveltuu ulkokäyttöön. Näin vähennät sähköiskuvaaraa.

f. Jos laitetta on pakko käyttää kosteissa tiloissa, käytä vikavirtasuojakytkintä. Näin vähennät sähköiskuvaaraa.

Henkilökohtainen turvallisuus

a. Pysy tarkkaavaisena, keskity siihen, mitä olet tekemässä, ja pidä maalaisjärki mukana käyttäessäsi laitetta. Älä käytä laitetta väsyneenä tai lääkkeiden tai alkoholin vaikutuksen alaisena. Tarkkaavaisuuden hetkellinenkin herpaantuminen laitetta käytettäessä voi johtaa vakavaan onnettomuuteen.

b. Käytä henkilönsuojaimia. Käytä aina suojalaseja. Asianmukaisesti käytettyinä henkilönsuojaimet kuten hengityssuojain, luistamattomat turvakengät, kypärä ja kuulosuojaimet vähentävät loukkaantumisriskiä.

c. Huolehdi, ettei laite pääse käynnistymään vahingossa. Varmista, että laitteen virta on kytketty pois päältä ennen kuin laitat pistotulpan pistorasiaan ja/tai laitat akun paikoilleen tai kun kannat laitetta.

Älä kanna laitetta siten, että sormesi on virtakytkimellä, äläkä laita pistotulppaa pistorasiaan, jos virtakytkin on painettu alas.

d. Ennen laitteen käynnistämistä varmista, ettei laitteessa ole kiinni jokoavainta, ruuvimeisseliä tai muuta irrallista työkalua. Laitteen pyöriessä osassa kiinni oleva työkalu voi aiheuttaa onnettomuuden.

e. Älä kurkottele käyttäessäsi laitetta. Pidä molemmat jalkasi maassa ja huolehdi hyvästä tasapainosta koko ajan. Näin pystyt hallitsemaan laitetta paremmin, jos jotakin odottamatonta tapahtuu.

f. Pukeudu asianmukaisesti. Vältä löysien vaatteiden ja korujen käyttöä. Pidä hiukseksi, vaatteesi ja suojakäsineesi kaukana laitteen liikkuvista osista, jotta ne eivät takerru kiinni mihinkään.

g. Jos laitteessa on toiminto tai sen mukana tulee lisävaruste, joka kerää porattaessa syntyvän pölyn talteen, käytä toimintoa/lisävarustetta. Näin voit pienentää pölyn aiheuttamien riskien määrää.

Laitteen käyttö ja huolto

a. Älä ylikuormita laitetta. Valitse työkalu kulloisenkin työtehtävän mukaan, niin työ sujuu helpommin ja turvallisemmin.

b. Älä käytä laitetta, jos sitä ei voi käynnistää ja sammuttaa virtakytkimestä. Laite, jonka virtakytkin

ei toimi normaalisti, on vaarallinen ja täytyy korjata.

c. Irrota aina pistotulppa pistorasiasta ja/tai laitteen akku säilytyksen ajaksi ja kun aiot säätää laitetta tai vaihtaa siihen työkalun. Kun toimit näin, riski, että laite käynnistyy odottamatta, pienenee.

d. Säilytä laite lasten ulottumattomissa äläkä anna laitetta kokemattoman tai näihin ohjeisiin tutustumattoman henkilön käyttöön. Osaamattomissa käsissä laite voi olla vaarallinen.

e. Pidä laitteesta hyvää huolta. Tarkasta laitteen kunto säännöllisesti ja jos huomaat sen vahingoittuneen, korjauta se ennen seuraavaa käyttökertaa. Huonokuntoinen laite voi aiheuttaa onnettomuuden.

f. Pidä terät puhtaina ja terävinä. Asianmukaisesti hoidetut laitteet, joiden terät ovat terävät, toimivat tehokkaimmin ja ovat helpoimpia kontrolloida.

g. Huolla laitetta, sen teriä ja muita osia näiden ohjeiden mukaisesti ja laitteen tyyppi huomioiden. Valitse laite työn ja olosuhteiden mukaan. Laitteen käyttö muuhun kuin mihin se on tarkoitettu voi aiheuttaa vaaratilanteen.

h. Työskennellessäsi laitteella paikoissa, joissa ruuvattavat ruuvit/poranterä saattavat vahingoittaa piilossa olevia johtoja tai laitteen omaa johtoa, pidä kiinni laitteen eristetyistä kädensijoista. Kosketus jännitteeseen johtoon voi tehdä laitteen metalliset osat jännitteisiksi ja aiheuttaa laitteen käyttäjälle sähköiskun.

Akkukäyttöisen laitteen käyttö ja huolto

a. **Lataa akku vain valmistajan suosittelemalla laturilla.** Vääränlainen laturi voi aiheuttaa tulipalovaaran.

b. **Käytä laitteessa ainoastaan kyseiseen laitteeseen tarkoitettua akkua.** Vääränlaisen akun käyttö saattaa aiheuttaa loukkaantumis- ja tulipalovaaran.

c. **Silloin kun akku ei ole käytössä, säilytä se kaukana metalliesineistä, kuten paperiliittimistä, kolikoista, avaimista, neuloista ja ruuveista, jotka saattavat saada akun navat oikosulkuun.** Oikosulku voi aiheuttaa palovammoja tai tulipalovaaran.

d. **Jos akkuun kohdistuu kova isku, siitä saattaa vuotaa nestettä. Älä koske akkunesteeseen paljain käsin. Jos akkunestettä joutuu iholle, huuhtele runsaalla vedellä. Jos akkunestettä joutuu silmiin, hakeudu lääkäriin.** Akkuneste voi aiheuttaa ihoärsytystä tai palovammoja.

Huolto

a. **Anna valtuutetun huoltoliikkeen korjata laite valmistajan alkuperäisvaraosilla.**

Näin varmistat, että voit jatkossakin käyttää laitetta turvallisesti.

LAITEKOHTAISTA TURVALLISUUSTIETOA

Poriin ja ruuvinvääntimiin liittyviä turvaohjeita

Käytä asianmukaista rakenneilmainsintä tai pyydä ammattilaiselta apua

työskentelyalueella mahdollisesti kulkevien kaapelointien ja/tai putkien määrittämiseksi. Sähköjohtoon poraaminen voi aiheuttaa tulipalon tai sähköiskun vaaran. Kaasuputkeen poraaminen voi aiheuttaa räjähdyksen. Vesiputken lävistäminen aiheuttaa vahinkoja kiinteistölle ja saattaa aiheuttaa sähköiskuvaaran.

Sammuta laite välittömästi, jos ruuvauskärki/terä juuttuu. Varaudu voimakkaaseen vastavääntöön, joka voi aiheuttaa takaiskun. Ruuvauskärki/terä jumittuu, kun:

- laite ylikuormittuu tai kiilautuu kiinni työkalupaleeseen.

Pidä laitteesta tukevasti kiinni.

Ruuveja kiristettäessä ja löysättäessä laite voi aiheuttaa hetkellisesti suurenkin vastaväännön.

Varmista työskentelyalueen turvallisuus. Työstettävä kappale kannattaa kiinnittää puristimilla tai ruuvipainkkiin, jolloin työskentely on turvallisempaa kuin jos kappaletta pitää kädessä.

Pidä työskentelyalue puhtaana. Eri materiaalien sekoittuminen saattaa olla erityisen vaarallista. Kevytmetallipöly saattaa syttyä palamaan tai räjähtää.

Odota, että laite on pysähtynyt, ennen kuin lasket sen kädestäsi. Laitteessa kiinni oleva terä/kärki saattaa jumittua ja aiheuttaa laitteen hallinnan menetyksen.

Estä laitteen tahaton käynnistyminen. Varmista ennen akun laittamista paikoilleen, että virtakytkin ei ole painettuna pohjaan. Laitteen kantaminen sormi virtakytkimellä tai akun laittaminen paikoilleen laitteeseen, jonka virtakytkin

on pohjassa, saattaa aiheuttaa onnettomuusvaaran.

Akkulatureihin liittyviä turvallisuusohjeita



Vain sisäkäyttöön.



Kaksoiseristetty.

Säilytä laturi suojassa sateelta ja kosteudelta. Veden pääseminen laturin sisään lisää sähköiskun vaaraa.

Lataa laturilla ainoastaan sillä ladattavaksi tarkoitettuja akkuja.

Laturi soveltuu ainoastaan laitteen mukana tulevan akun lataamiseen. Muunlaisten akkujen lataaminen laturissa voi aiheuttaa tulipalo- ja räjähdysvaaran.

Huolehdi, että laturi on puhdas. Lika saattaa aiheuttaa sähköiskuvaaran.

Tarkista aina ennen laturin käyttöä, että laturi, johto ja liitin ovat kunnossa. Jos havaitset vaurioita, älä käytä laturia. Älä avaa laturia. Laturin saa korjata ainoastaan ammattitaitoinen henkilö. Vaurioitunut laturi, johto tai liitin lisää sähköiskun vaaraa.

Älä sijoita laturia helposti syttyvälle alustalle (esim. paperien tai tekstiilien päälle) tai helposti syttyvään paikkaan. Laturi kuumenee latauksen aikana, mikä voi aiheuttaa tulipalovaaran.

Lapsia tulee valvoa, jotta he eivät pääse leikkimään laturilla.

TIETOA TÄRINÄTASOSTA

Tärinätaso

Tässä ohjeessa ilmoitettu laitteen tärinätaso on mitattu EN 60745 -standardin mukaisella mittausmenetelmällä. Lukuarvoa voidaan käyttää laitteiden keskinäiseen vertailuun, ja sen avulla voidaan ennakkoon arvioida tärinälle altistumisen määrää silloin, kun laitetta käytetään ohjeissa mainittuihin käyttötarkoituksiin. Laitteen käyttäminen muihin kuin ohjeissa mainittuihin tarkoituksiin tai huonokuntoisten tai muiden kuin alkuperäisten lisävarusteiden kanssa saattaa kasvattaa tärinän määrää huomattavasti.

Värähtelyrasituksen tarkkaa arviointia varten määrätyn työaikajakson aikana tulisi ottaa huomioon myös se aika, jolloin laite on sammutettuna tai käy, mutta sitä ei käytetä. Tämä voi selvästi pienentää koko työaikajakson värähtelyrasitusta.

Suojaudu tärinän aiheuttamilta vaikutuksilta huoltamalla laite ja sen lisävarusteet säännöllisesti, pitämällä kätesi lämpiminä ja suunnittelemalla työsi huolellisesti etukäteen.

KÄSITTELEMINEEN

Laitteen tahaton käynnistyminen saattaa aiheuttaa loukkaantumisvaaran. Sen vuoksi pyörimissuunnan valitsin tulee lukita keskiasentoon ennen laitteen käsittelemistä (esim. huollettaessa ja ruuvauskärkeä/poranterää vaihdettaessa) sekä laitetta kuljetettaessa ja säilytettäessä.

AKUN LATAAMINEN

Ruuvinvääntimen/poran akun lataaminen

Kun laturi liitetään verkkovirtaan, laitteessa oleva punainen merkkivalo (7) syttyy. Valo sammuu, kun akku on latautunut.

Normaaleissa käyttöolosuhteissa akun voi ladata useita satoja kertoja.

HUOM! Akku kuumenee latauksen aikana.

Laitteessa olevaa akkua on testiladattu tehtaalla, ja se pitää ladata täyteen ennen laitteen käyttöönottoa.


Lue ensin turvaohjeet ja noudata lataamista koskevia ohjeita. Liitä ensin laturin liitin laitteeseen. Laita sen jälkeen laturin muuntaja pistorasiaan.


Varmista, että laturin johdossa ei ole solmuja ja että johto ei ole taittunut.

Laturin muuntaja ja laitteessa oleva akku on suunniteltu käytettäväksi yhdessä.

Älä **KOSKAAN** käytä tämän laitteen mukana tulevaa laturia muiden akulla varustettujen laitteiden tai muiden valmistajien akkujen lataamiseen. Akun lataus purkautuu itsestään ajan mittaan myös silloin, kun laitetta ei käytetä.

Laitteessa olevassa litiumioniakussa on syväpurkauksen estävä elektroninen kennosuojaus (ECP). Kun akku on tyhjä, suojapiiri kytkee laitteen pois päältä, jolloin laitteessa oleva ruuvauskärki/terä ei pyöri.

 **VAROITUS! Älä paina virtakytkintä, jos laite on pysähtynyt itsestään.** Akku voi vioittua.

 **VAROITUS! Aseta laite latautumaan palamattomalle alustalle. Älä lataa akkua yli kahdeksaa tuntia kerrallaan.** Punainen merkkivalo vaihtuu vihreäksi, kun akku on latautunut täyteen.

Irrota latauksen päätteeksi laturi laitteesta ja säilytä se asianmukaisessa paikassa.

Akkua ei ole suositeltavaa ladata pakkasessa.

Jos akku halutaan irrottaa laitteesta, pidä virtakytkintä (5) pohjassa kunnes akku on täysin tyhjä. Aukaise laitteen kuoren kiinnitysruuvit ja irrota kuoren toinen puoli. Irrota akun liittimet ja irrota akku (ks. kuva A).

KÄYTTÖOHJEET

Laitteen käyttäminen

Huom! Laitteen moottorin kohdalla olevista aukoista saattaa näkyä kipinöitä laitetta käytettäessä. Ne ovat täysin normaaleja ja aiheuttavat moottorin osien liikkeestä toisiaan vasten. Kipinät eivät vaikuta laitteen toimintaan. Laitetta ei kuitenkaan suositella käytettäväksi syttyvien nesteiden, kaasujen tai pölyn lähellä syttymisriskin estämiseksi.

Ruuvauskärjen/poran terän paikoilleen laittaminen

Laitteen tahaton käynnistyminen saattaa aiheuttaa loukkaantumisvaaran. Sen

vuoksi pyörimissuunnan valitsin tulee lukita keskiasentoon ennen laitteen käsittelemistä (esim. huollettaessa ja ruuvauskärkeä/poranterää vaihdettaessa) sekä laitetta kuljetettaessa ja säilytettäessä. Avaa istukan aukko hieman suuremmaksi kuin valitsemasi ruuvauskärjen/poranterän varsi. Laita kärki/terä istukkaan. Kiristä istukka alla olevan ohjeen mukaan (kohta Pikaistukka).

Pyörimisnopeuden säätäminen

Se, miten kovaa virtakytkintä painetaan, vaikuttaa kummankin pyörimissuunnan nopeuteen. Tämän ansiosta voit valita kuhunkin työhön parhaiten soveltuvan nopeuden. Matalammat nopeudet soveltuvat ruuvien kiristämiseen/löysäämiseen (asento 1 pyörimisnopeuden valitsimessa (3)).

Pyörimisnopeuden valinta

Matala nopeus soveltuu metallin, muovin ja keraamisten materiaalien poraamisen aloittamiseen, ruuvinväännintoihintoon ja kohteisiin, joissa vaaditaan korkeaa vääntömomenttia. Korkea nopeus soveltuu puun poraamiseen (asento 2 pyörimisnopeuden valitsimessa (3)).

Pyörimissuunnan vaihtaminen

Laitteen pyörimissuuntaa voi vaihtaa pyörimissuunnan valitsimen (4) avulla. Kun haluat lukita virtakytkimen, aseta pyörimissuunnan valitsin keskiasentoon.

Kiristysmomentin säätäminen

Käännä vääntömomentin säätörengasta (2) haluttuun asentoon. Momentit 1-19 on tarkoitettu ruuvien kiristämiseen/löysäämiseen (mitä suurempi luku, sitä suurempi vääntömomentti). Valitse porasymboli, kun haluat porata.

Pikaistukka

Tässä laitteessa on pikaistukka, jonka ansiosta ruuvauskärkien/poranterien

paikoilleen laittaminen ja irrottaminen on helppoa ja nopeaa.

Istukka avataan/suljetaan pitämällä kiinni takimmaisesta renkaasta (10) ja pyörittämällä etummaista rengasta (11).



VAROITUS: TAKERTUMISVAARA

Istukkaa ei saa avata pitämällä kiinni istukan etummaisesta renkaasta ja avaamalla istukkaa laitteen moottoria apuna käyttäen.

HUOLTO JA PUHDISTUS

Laitteen tahaton käynnistyminen saattaa aiheuttaa loukkaantumisvaaran. Sen vuoksi pyörimissuunnan valitsin tulee lukita keskiasentoon ennen laitteen käsittelemistä (esim. huollettaessa ja ruuvauskärkeä/poranterää vaihdettaessa) sekä laitetta kuljetettaessa ja säilytettäessä.

Jotta laite toimisi kunnolla, huolehdi siitä, että laite ja sen tuuletusaukot ovat puhtaita.

LAITTEEN HÄVITTÄMINEN

Ympäristötieto

Tietoa (kotitalouksille) sähkö- tai elektroniikkalaitteiden ympäristöystävällisestä ja WEEE-direktiivin (Waste Electrical and Electronic Equipment) mukaisesta hävittämisestä.



Jos tuotteessa tai sen mukana tulleessa käyttöohjeessa on tämä merkintä, tuotetta ei saa hävittää muun talousjätteen mukana, vaan tuote tulee toimittaa ennal-

ta määriteltyyn kierrätyspisteeseen, josta se toimitetaan edelleen asianmukaiseen käsittelyyn ja kierrätykseen. Joissakin maissa käytetyt tuotteet voidaan jättää myyjäliikkeeseen uuden tuotteen oston yhteydessä. Hävittämällä tämän laitteen oikealla tavalla autat säästämään arvokkaita luonnonvaroja ja minimoit terveyteen ja ympäristöön kohdistuvia haitallisia vaikutuksia. Oman asuinkuntasi viranomaisilta saat tarkempaa tietoa sähkö- ja elektroniikkalaitteiden hävittämisestä. Vääränlaisesta jätteenhävittämisestä voidaan voimassaolevan lain mukaan tuomita sakkorangaistukseen.

Vioittuneiden ja käytettyjen akkujen hävittäminen

Käytöstä poistettuja akkuja ei saa hävittää kotitalousjätteen mukana. Lain mukaan vioittuneet ja käytetyt akut tulee toimittaa lähimpään akkujen keräyspisteeseen tai niitä käsittelevään yritykseen. Epäasianmukaisesta hävittämisestä voi seurata sakko- tai muu rangaistus

Tietoa tuotteen hävittämisestä EU:n ulkopuolisissa maissa asuville.



Tämä symboli on käytössä vain EU:n alueella.

Kysy ohjeita tuotteen hävittämisestä sen myyjältä tai paikalliselta viranomaiselta.

FIXA skruvdragare/borrmaskin li-jon 14,4 V

TEKNISKA SPECIFIKATIONER

Batterispänning: 14,4 V
 Batteri: 1,3 Ah Li-jon
 Laddare: Lokal huvudspänning
 Laddningstid: 3-5 timmar
 Chuckens inspänningsområde:
 0,8-10 mm (1/32"-3/8")
 Ställbart vridmoment: 19 + borring
 Max. vridmoment: 16 Nm
 Max varvtal (obelastad):
 Position I 0-350/min
 Position II 0-1200/min
 Hållare för skruvdragarbits: 6 mm (1/4")
 Chuck: 10 mm (3/8"), verktygslösa och
 snabba byten av insatsverktyg
 Vikt: 1,1 kg
 Vibration (enligt EN 60745-1,
 EN 60745-2-1, EN 60745-2-2):
 $a_{h,D} = 2,5 \text{ m/s}^2$, $K = 1,5 \text{ m/s}^2$,
 $a_{r,D} = 2,5 \text{ m/s}^2$, $K = 1,5 \text{ m/s}^2$
 Buller (enligt EN 60745-1):
 Ljudtrycksnivå = 69 dB (A),
 onoggrannhet $K = 3 \text{ dB (A)}$
 Ljudeffektsnivå = 80 dB (A),
 onoggrannhet $K = 3 \text{ dB (A)}$

LISTA PÅ KOMPONENTER

Numreringen av komponenterna hänvisar till illustrationen av skruvdragaren/borren på grafiksidan.

1. Snabbchuck
2. Reglage för vridmoment
3. Omkopplare för växelläge
4. Riktningssomkopplare
5. Steglös hastighetsväljare/Strömbrytare
6. Hållare för skruvdragarbits
7. Ljusdiod
8. Transformator för laddare
9. Stickkontakt för transformator
10. Bakre ring
11. Främre hylsa

ANVÄNDNINGSSOMRÅDEN

Denna sladdlösa skruvdragare/borrmaskin kan användas för att borra i trä, plast och mjuka metallmaterial, samt för att dra åt/lossa skruvar.

Medföljande bits lämpar sig för denna användning. All annan användning med dessa bits är inte rekommenderad.

Denna utrustning ska inte användas av några personer (inklusive barn) med reducerad sensorisk eller mental förmåga, eller brist på tillräcklig erfarenhet eller kunskap, såvida de inte fått handledning eller instruktioner om hur utrustningen ska användas från en person som ansvarar för deras säkerhet.

Barn ska hållas under uppsikt så att de inte leker med utrustningen.

MASKINSPECIFIK SÄKERHETSANVISNINGAR

Allmänna säkerhetsföreskrifter för elverktyg



VARNING!



Läs alla säkerhetsvarningar och instruktioner. Om inte samtliga varningar och instruktioner följs kan resultatet bli elstötar, eldsvådor och/eller allvarlig skador.

Spara alla varningar och instruktioner för framtida bruk.

Termen "elverktyg" i samtliga varningar nedan syftar på nätdrivna elverktyg (med nätsladd) och batteridrivna elverktyg (sladdlösa).

Säkerhet i arbetsområdet

a. **Håll arbetsområdet rent och väl upplyst.** Stökiga och mörka arbetsområden kan leda till olyckor.

b. **Använd inte elverktyg i explosionsfarlig omgivning med brännbara vätskor, gaser eller damm.** Elverktygen alstrar gnistor som kan antända dammet eller gaserna.

c. **Håll barn och andra obehöriga borta då du använder ett elverktyg.** Störningar kan leda till att du tappar kontrollen över verktyget.

Elektrisk säkerhet

a. **Elverktygets kontakt måste passa vägguttaget. Ändra aldrig kontakten på något sätt. Använd inte adapterkontakter med jordade elverktyg.** Oförändrade kontakter och passande vägguttag minskar risken för elstötar.

b. **Undvik kroppskontakt med jordade ytor som t.ex. rör, värmeelement, spisar och kylskåp.** Det finns en större risk för elstötar om din kropp är jordad.

c. **Skydda elverktyget mot regn och väta.** Tränger vatten in i ett elverktyg ökar risken för elstötar.

d. **Använd nåttsladden på ett korrekt sätt. Använd den inte för att bära eller hänga upp elverktyget eller för att dra kontakten ur vägguttaget. Håll nåttsladden på avstånd från värme, olja, skarpa kanter och rörliga maskindelar.** Skadade eller tilltrasslade ledningar ökar risken för elstötar.

e. **När du arbetar med ett elverktyg utomhus använd endast förlängnings-**

sladdar som är avsedda för utomhusbruk. Om en lämplig förlängningssladd för utomhusbruk används minskar risken för elstötar.

f. **Om du måste använda elverktyget i en fuktig miljö, använd ett felströmskydd/jordfelsbrytare.** Felströmskyddet/jordfelsbrytaren minskar risken för elstötar.

Personlig säkerhet

a. **Var uppmärksam, kontrollera vad du gör och använd elverktyg med förnuft. Använd inte ett elverktyg när du är trött eller om du är påverkad av droger, alkohol eller mediciner.** Ett ögonblick av ouppmärksamhet kan leda till allvarliga kroppsskador när du använder elverktyg.

b. **Använd personlig skyddsutrustning. Bär alltid skyddsglasögon.** Lämplig skyddsutrustning som t.ex. dammfiltermask, halkfria säkerhetsskor, skyddshjälm och hörselskydd minskar risken för kroppsskada.

c. **Undvik oavsiktlig igångsättning. Kontrollera att elverktyget är frånkopplat innan du ansluter kontakten till vägguttaget och/eller ansluter/tar bort batteriet, tar upp eller bär elverktyget.** Att bära elverktyget med fingret på strömställaren eller ansluta påkopplat elverktyg till nätströmmen kan leda till olyckor.

d. **Ta bort alla inställningsverktyg och skruvnycklar innan du kopplar på elverktyget.** Ett verktyg eller en nyckel som lämnas kvar i en roterande komponent kan medföra kroppsskada.

e. **Undvik onormala kroppsställningar. Se till att du alltid står stadigt med**

god balans. Det gör att du lättare kan kontrollera elverkytet i oväntade situationer.

f. Bär lämpliga arbetskläder. Bär inte löst hängande kläder eller smycken. Håll håret, kläderna och handskarna på avstånd från rörliga delar. Löst hängande kläder, långt hår och smycken kan fastna i roterande delar.

g. Om elverkytet används med utrustning för dammsugning och dammupsamling, se till att den monteras och används korrekt. Användning av denna utrustning minskar de risker damm orsakar.

Elverktyg - användning och skötsel

a. Överbelasta inte elverkytet. Använd korrekt elverktyg för den aktuella arbetsuppgiften. Med rätt elverktyg kan du arbeta bättre och säkrare inom angivet slagtal.

b. Använd inte elverkytet om inte På/Av-knappen fungerar. Elverktyg som inte kan styras med knappen är farligt och måste repareras.

c. Dra kontakten ur vägguttaget och/eller ta bort batteriet innan inställningar utförs, tillbehörsdelar byts ut eller när elverkytet ska förvaras. Denna skyddsåtgärd minskar risken för att elverkytet sätts på av misstag.

d. Förvara elverktyg oåtkomliga för barn. Tillåt inte personer som inte är förtrogna med elverkytet eller inte läst denna anvisning använda det. Elverktygen är farliga om de används av oerfarna personer.

e. Underhåll elverkytet omsorgsfullt. Kontrollera att rörliga komponenter

inte är obalanserade eller kärvar. Se till att komponenter inte skadats eller andra förhållanden uppstår som kan påverka elverkytets funktioner negativt. Reparera eventuella skadade delar innan elverkytet tas i bruk. Många olyckor orsakas av dåligt skötta elverktyg.

f. Håll skärverktygen skarpa och rena. Omsorgsfullt skötta skärverktyg med skarpa eggar löper mindre risk att kärva och är enklare att styra.

g. Använd elverkytet, tillbehör, insatsverktyg, etc., enligt dessa anvisningar och på avsett vis. Ta hänsyn till arbetsförhållandena och det arbete som ska utföras. Om elverkytet används på ett sätt som det inte är avsett för kan fara uppstå.

h. Håll elverkytet i det isolerade handtaget då du utför arbete där fästelementet riskerar att komma i kontakt med dolda ledningar eller elverkytets egen kabel. Om fästelementet kommer i kontakt med en strömförande ledning kan metalldelarna på elverkytet bli strömförande och ge användaren en elstöt.

Batteriverktyg - användning och skötsel

a. Ladda batterierna enbart med den laddare som tillverkaren anvisat. En laddare som är avsedd för en typ av batterier kan orsaka brandrisk om den används med andra batterier.

b. Använd elverktyg enbart med särskilt avsedda batterier. Användning av andra batterier kan orsaka skade- och brandrisk.

c. När batterierna inte används håll dem borta från andra metallföremål, som gem, mynt, nycklar, spikar, skruvar och andra små metallföremål som kan skapa kontakt mellan två elektriska poler. Kortslutning av batteripolerna kan orsaka brännskador och eldsvådor.

d. Om batteriet används på fel sätt finns risk för att vätska rinner ur batteriet. Undvik kontakt med vätskan. Vid oavsiktlig kontakt spola med vatten. Om vätska kommer i kontakt med ögonen uppsök dessutom läkare. Batterivätskan kan medföra hudirritation och brännskada.

Service

Låt endast kvalificerad fackpersonal reparera elverktyget och endast med originalreservdelar.

Detta garanterar att elverktygets säkerhet upprätthålls.

Säkerhetsvarningar för borr

Använd lämpliga detektorer för lokalisering av dolda försörjningsledningar eller rådfråga ditt lokala distributionsföretag. Kontakt med elledning kan förorsaka brand och elstötar. Skador på en gasledning kan leda till explosion. Borrning i vattenledning riskerar att orsaka skador på fastigheten och ge en elstöt.

Stäng genast av elverktyget om insatsverktyget blockerar. Var förberedd på höga reaktionsmoment som kan orsaka bakslag. Insatsverktyget blockerar om

- elverktyget överbelastas
- eller snedvrids i arbetsstycket.

Håll verktyget med ett fast grepp.

Kortvariga höga reaktionsmoment kan uppstå när du drar åt eller lossar skruvar.

Säkra arbetsstycket. Ett arbetsstycke som är fastspänt i en uppspanningsanordning eller ett skruvståd hålls säkrare än med handen.

Håll arbetsplatsen ren. Materialblandningar är särskilt farliga. Lättmetalldamm kan brinna och explodera.

Vänta tills elverktyget stannat helt innan du lägger ner det. Insatsverktyget kan haka upp sig och leda till att du förlorar kontrollen över elverktyget.

Undvik oavsiktlig igångsättning.

Kontrollera att elverktyget är frånkopplat innan du sätter i batteriet. Att bära elverktyget med fingret på strömbrytaren eller att sätta i batteriet i elverktyg kan leda till olyckor.

Säkerhetsanvisning för laddare



Endast för inomhusbruk.



Dubbelisolerad.

Skydda laddaren mot regn och väta.

Tränger vatten in i laddaren ökar risken för en elektrisk stöt.

Ladda inte andra batterier. Batteriladdaren ska enbart användas för att ladda de batterier som följde med ditt elverktyg. I annat fall finns risk för eldsvåda och explosion.

Håll batteriladdaren ren. Nedsmutsning kan leda till risk för elstötar.

Kontrollera laddare, kabel och stickkontakt före varje användning. Använd inte laddaren om den är skadad. Du får själv aldrig öppna laddaren. Reparationer ska enbart utföras av kvalificerad fackman. Skadade laddare, ledningar eller stickkontakter ökar risken för elektrisk stöt.

Använd inte laddaren på lättantändligt underlag (som papper, textilier, etc.) eller i en lättantändlig omgivning. Upphettningen av laddaren vid laddning upp kan medföra brandrisk.

Barn ska hållas under uppsikt så att de inte leker med laddaren.

VIBRATIONSINFORMATION

Vibrationsnivå

Vibrationsemissionsvärdet som står i den här instruktionsboken har uppmätts enligt ett standardiserat test i enlighet med EN 60745; detta värde kan användas för att jämföra vibrationen hos olika verktyg och som en ungefärlig uppskattning av hur stor vibration användaren utsätts för när verktyget används enligt det avsedda syftet. Om verktyget används på ett annat än det avsedda syftet eller med fel eller dåligt underhållna tillbehör kan detta drastiskt öka vibrationsnivån.

När verktyget stängs av eller är på men inte används, kan detta avsevärt minska vibrationsnivån. Skydda dig mot vibration genom att underhålla verktyget och dess tillbehör, hålla händerna varma och styra upp ditt arbetssätt.

MONTAGE

Innan åtgärder utförs på elverktyget (t.ex. underhåll och verktygsbyte), liksom då det transport eras och lagras, ställ riktningsomkopplaren i mittläge. Ofrivillig aktivering kan leda till skador.

Batteriets laddning

Ladda din skruvdragare/borrmaskin

När laddaren kopplas till eluttaget tänds den röda dioden på skruvdragaren/borrmaskinen. Dioden lyser medan batteriet laddas (7).

Vid normal användning kan skruvdragaren/borrmaskinen laddas flera hundra gånger.

WARNING! Laddningsprocessen genererar värme i batteriet.

Observera: Batteriet som följer med skruvdragaren/borrmaskinen har enbart laddats i testsyfte och måste laddas upp helt före första användning.

Läs först säkerhetsinstruktionerna och följ sedan laddningsanvisningarna. Sätt in transformatorns kontakt i skruvdragarens/borrmaskinens uttag. Anslut sedan laddarens transformator till eluttaget.

Se till att det inte finns några knutar eller skarpa böjar i kabeln.

Laddarens transformator och batteriet är gjorda för att användas tillsammans.

Använd **ALDRIG** denna laddare för att ladda sladdlösa verktyg eller batterier från tillverkare. Batteriet kommer att gradvis förlora sin laddning över tid även om verktyget inte används.

Litiumjonbatteriet är skyddat mot djupurladdning genom "Electronic Cell Protection" (ECP). När batteriet är urladdat stängs elverktyget av genom en skyddskoppling. Insatsverktyget roterar inte längre.



WARNING! Fortsätt inte att trycka på På/Av-knappen efter att maskinen har stängts av automatiskt.

Batteriet kan skadas.



WARNING! Ladda batteriet på ett icke-brännbart material. Ladda inte batteriet längre än åtta timmar.

Den röda dioden blir grön när batteriet är fulladdat.

Koppla bort kabeln och förvara transformatorn på en lämplig plats när den inte används.

Det är inte lämpligt att ladda batteriet i köldgrader.

När batteriet ska tas ut ur maskinen, tryck på den strömbrytaren (5) tills batteriet har laddats ur helt. Skruva loss skruvarna i hylsan och ta bort hylsskyddet. Koppla bort kopplingarna på batteriet och ta ur batteriet (se illustration A).

ANVÄNDARINSTRUKTIONER

Användning av verktyget

Observera: Gnistor kan synas genom öppningarna i motorhuset när verktyget används. Gnistorna är en normal reaktion när motorn är i bruk och skapas när delarna inne i motorn rör sig mot varandra. Verktygets funktion påverkas inte av detta. Vi rekommenderar dock att du

inte använder elverktyget nära brännbara vätskor, gaser eller damm, vilket gnistorna kan antända.

Sätta i borrhuvdragarbits

Innan åtgärder utförs på elverktyget (t.ex. underhåll och verktygsbyte), liksom då det transport eras och lagras, ställ riktningssomkopplaren i mittläge. Ofrivillig aktivering kan leda till skador.

Justera chucken tills öppningen är något större än skaftet på borret som du vill använda. Sätt i borret i chucken. Dra åt chucken mot borret enligt anvisningarna nedan (snabbchuck).

Reglering av varvtal

Hastigheten för båda varvtalen kan regleras från noll till maximum genom att trycka olika hårt på strömbrytaren. Det gör det möjligt för dig att välja den mest lämpliga hastigheten för det arbete du utför. Använd den lägre hastigheten för att dra åt/lossa skruvar (position 1 på omkopplaren för växelläge (3)).

Val av varvtal

Använd en låg hastighet när du börjar borra i metall, plats eller keramik, när du använder skruvdragarfunktionen eller utför arbete som kräver ett stort vridmoment. Använd en hög hastighet när du borrar i trä (position 2 på omkopplaren för växelläge (3)).

Ändra rotationsriktning

Du kan ändra rotationsriktning genom att använda riktningssomkopplaren (4).

För att låsa omkopplaren sätt den i mittenpositionen mellan höger- och vänsteralternativen.

Justering av vridmomentet

Vrid reglaget för vridmomentet (2) till den önskade positionen. Graderingen 1-19

används för att dra åt/lossa skruvar (ju högre värde, desto större vridmoment). Välj borrarssymbolen innan du använder verktyget för borring.

Snabbchuck

Din borr har en verktygslös snabbchuck så att du enkelt kan dra åt eller lossa borrar/skruvbits.

För att öppna/stänga chucken, håll i den bakre ringen (10) och rotera den främre hylsan (11).



VARNING: RISK ATT FASTNA

Håll inte chuckens främre hylsa med en hand samtidigt som du öppnar chuckens mynning med hjälp av skruvdragarens/borrmaskinens motor.

Underhåll och Rengöring

Innan åtgärder utförs på elverktyget (t.ex. underhåll och verktygsbyte), liksom då det transporteras och lagras, ställ riktningsskoplaren i mittläge. Ofrivillig aktivering kan leda till skador.

För säker och korrekt användning håll alltid maskinen och ventilationsöppningar rena.

INSTRUKTIONER FÖR MILJÖMÄSSIG AVFALLSHANtering

Miljöskydd

Information (för privata hushåll) om miljöriktig avyttring av elektrisk och elektronisk utrustning i enlighet med WEEE-direktivet (Waste Electrical and Electronic Equipment).



Märkning med den här symbolen på produkter och tillhörande dokumentation anger att uttjänt elektrisk och elektronisk utrustning inte får avyttras tillsammans med hushållsavfall. Produkterna ska istället lämnas in på bestämda samlingsplatser där de kostnadsfritt omhändertas för lämplig avyttring, behandling, återanvändning och återvinning. I vissa länder kan man också återlämna produkterna till butiken vid inköp av en motsvarande ny produkt. Genom att avyttra den här produkten på rätt sätt så hjälper du till att spara värdefulla resurser och eliminerar de risker för negativa hälso- eller miljöeffekter som kan uppstå på grund av felaktig avyttring och hantering av avfall. Kontakta myndigheterna på platsen för information om närmaste samlingsplats. Felaktig avyttring av den här typen av avfall kan vara bötesbelagd enligt gällande lag.

Hantering av skadade eller förbrukade batterier

Släng inte kasserade batterier tillsammans med de vanliga hushållssoporna. Enligt lag måste skadade och förbrukade batterier tas till en samlingsplats för batterier eller till ett företag som tar hand om batterierna. Den som inte följer dessa regler kan dömas till böter eller annat straff.

Information om avyttring i länder utanför Europeiska unionen.



Den här symbolen gäller endast inom Europeiska unionen. Kontakta myndigheterna eller återförsäl-

jaren på platsen om du vill avyttra den här produkten och behöver information om rätt avyttringsmetod.

FIXA kruvikeeraja / trell liitumioon 14,4V

TEHNILISED ANDMED

Pinge: 14,4 V

Akutüüp: 1,3 Ah Liitumioon

Laadija: kohalik voolupinge

Laadimisaeg: 3-5 tundi

Padruni mahutavus: 0,8-10 mm (1/32 "-3/8")

Reguleeritav pöördemoment: 19 + puurimine

Max pöördemoment: 16 Nm

Max rpm (tühikäigu kiirus):

Positsioon I 0-350/min

Positsioon II 0-1200/min

Hoidik kruvikeerajaotsikutele: 6 mm (1/4 ")

Padrun: 10 mm (3/8 "), võtmeta, kiirkinnitusega/kiirvabastusega padrun

Kaal: 1,1 kg (2,42 naela)

Vibratsioon (vastavalt EN 60745-1, EN 60745-2-1, EN 60745-2-2):

<ah.D = 1,245 m/s², K = 1,5 m/s²,

ah = 0,765 m/s², K = 1,5 m/s²

Müra (vastavalt EN 60745-1):

Helirõhutase LpA = 65,73 dB (A),

KPa = 3 dB (A)

Müra LWA = 76,73 dB (A),

Kwa = 3 dB (A)

OSADE LOETELU

Osade numeratsioon kruvikeeraja/trelli illustatsioonil.

Kiirkinnituspadrun

Pöördemomendi regulaator

Käiguvaliku lüliti

Pöörlemissuuna lüliti

Kiiruse regulaator/päästik

Hoidik kruvikeeraja otsikule

Valgusdiod

Trafo laadijale

Trafo pistik

Tagumine rõngas

Eesmine hüls

KASUTUSALA

Seda juhtmeta kruvikeerajat/trelli võite kasutada puidu, plastiku või pehmete metallide puurimiseks, kruvide kinni/lahti keeramiseks.

Kaasasolevad otsikud sobivad nendeks töödeks. Sellele trellile mitte ettenähtud otsikuid ei ole soovitatav kasutada.

See seade ei ole mõeldud kasutamiseks isikutele (sh lastele), kellel on vähenenud sensoorsed või vaimsed võimed või kellel puudub kogemus ja teadmised seadme kasutamiseks. Välja arvatud juhul, kui neid on juhendanud isik, kes vastutab nende turvalisuse eest ja kelle järelevalvel all nad on.

Tuleb jälgida, et lapsed ei mängiks selle seadmega.

ÜLDISED OHUTUSJUHISED

Elektriliste tööriistade üldised ohutusjuhendid



HOIATUS!



Lugege läbi kõik

ohutusjuhendeid ja kõik juhiseid.

Hoiatuste ja juhendite mitte järgimine võib põhjustada elektrilöögi saamise ohu, tulekahju või raskeid vigastusi.

Hoidke juhendid ja hoiatused alles.

Juhistes/hoiatusest esinev termin "elektriline tööriist" käib kõikide allpool loetletud võrgutoiteta (toitejuhtmega) elektriliste tööriistade ja akutoiteta (juhtmeta) elektriliste tööriistade kohta.

Töökohta ohutus

a. **Hoidke töökoht puhas ja hästi valgustatud.** Segadus ja valgustamata tööpiirkonnad võivad põhjustada õnnetusi.

b. **Ärge kasutage elektrilisi tööriistu plahvatusohtlikus keskkonnas, nt kus leidub tuleohtlikke vedelikke, gaase või tolmu.** Elektrilisetest tööriistadest eraldub sädemeid, mis võivad süüdata tolmu/aurud .

c. **Hoidke lapsed ja teised isikud töökohast eemale.** Segamine võib põhjustada õnnetuse.

Elektriohutus

a. **Seadme pistik peab sobima pistikupesasse. Ärge muutke pistikut ühelgi juhul. Ärge kasutage adapter pistikuid maandatud (maandusega) tööriistadel.** Muutmata pistikud ja sobivad pistikupesad vähendavad elektrilöögi saamise riski.

b. **Vältige kontakti maandatud pindadega, nagu torud, radiaatorid, pliidad ja külmikud.** On suurenenud risk elektrilöögi saamiseks, kui teie keha on maandatud.

c. **Ärge jätke seadet vihma ja niiskuse kätte.** Vee sattumine elektritööriistale suurendab elektrilöögi saamise riski.

d. **Ärge kahjustage juhett. Ärge kunagi kasutage juhett seadme tassimiseks, ülesriputamiseks ega pistiku pistikupesast väljatõmbamiseks.** Hoidke toitejuhett kuumuse, õli, teravate servade ja liikuvate osade eest. Kahjustatud või keerduvad juhtmed suurendavad elektrilöögi saamise ohtu.

e. **Kui töötate elektrilise tööriistaga vabas õhus, kasutage ainult pikendusjuhtmeid, mis sobivad välitingimustes kasutamiseks.** Välitingimustesse sobivate juhtmete kasutamine vähendab elektrilöögi saamise ohtu.

f. **Kui elektrilise tööriista kasutamine niiskes keskkonnas on vältimatu, kasutage rikkevooluseadmega kaitstud toidet.** Rikkevoolukaitsme kasutamine vähendab elektrilöögi saamise ohtu.

Ohutus

a. **Püsige valvel, jälgige oma tegevust hoolikalt ja kasutage elektrilist tööriista mõistlikult. Ärge kasutage seadet, kui olete väsinud või narkootikumide, alkoholi või ravimite mõju all.** Juba üks hetk, mil teie tähelepanu hajub, võib lõppeda tõsise vigastusega.

b. **Kasutage kaitsevarustust. Kaitske alati oma silmi.** Vastavas olukorras kasutuses olev kaitsevarustus, nagu tolmumask, libisemiskindla tallaga jaltsid, kiiver, kuulmiskaitse, hoiab ära suurema vigastusohu.

c. **Vältige soovimatut käivitumist: veenduge, et lüliti on OFF-positioonis enne, kui ühendate seadme vooluallika või akuga, ja enne, kui kannate tööriista ühest kohast teise.** Hoides näppu seadme kandmise ajal lülilil või lülitades seadme vooluvõrku, kui see on sisselülitatud, võite põhjustada õnnetuse.

d. **Eemaldage reguleerimisvõti või mutrivõti enne, kui seadme sisse lülitate.** Mutrivõti või võti, mis on

jäetud seadme pöörleva osa külge, võib põhjustada vigastusi.

e. Ärge pingutage üle. Vaadake, et püsiks te koguaeg tasakaalus ja teil oleks piisav toetuspind. Nii on teil seadme üle suurem kontroll ka ootamatutes olukordades.

f. Riietage end vastavalt. Ärge kandke lohvakaid rõivaid või ehteid. Hoidke oma riided, juuksed ja kindad liikuvatest osadest eemal. Lohvakad rõivad, ehted ja pikad juuksed võivad takerduda liikuvatesse osadesse.

g. Kui kaasas on ühendused, mis kinnituvad tolmu väljatõmbamiseks või kogumiseks mõeldud tarvikute külge, veenduge, et need on korralikult ühendatud ja kasutatud. Selliste tarvikute kasutamine võib vähendada tolmuiga seotud ohte.

Elektrilise tööriista kasutamine ja hooldus

a. Vältige seadme ülekoormust. Kasutage töö tegemiseks selleks ettenähtud elektrilist tööriista. Õige tööriist teeb seda õige koormusega rakendades, tööd paremini ja ohutumalt.

b. Ärge kasutage elektrilist tööriista, mille lüliti ei lüliti sisse või välja. Elektriline tööriist, mida ei saa lüliti abil juhtida, on ohtlik ning seda tuleb remontida.

c. Ühendage pistik pistikupesast välja ja/või eemaldage seadme aku enne seadme reguleerimist, tarvikute vahetamist või seadme hoiustamist. Sellised ennetavad turvameetmed aitavad ära hoida elektritööriista soovimatut käivitumist.

d. Hoidke elektrilisi tööriistu alati lastele kättesaamatus kohas ja ärge lubage kasutada inimestel, kes pole tutvunud seadme ohutusjuhenditega. Elektrilised tööriistad võivad oskamatu kasutaja käes olla ohtlikud.

e. Hooldage seadmeid. Kontrollige, kas seadme liikuvate osade paindumine, purunemine või mis tahes muu olukord, võivad mõjutada seadme töökindlust. Kui mõnel osal esineb kahjustusi, tuleb seade enne kasutamist parandada. Paljude õnnetuste põhjuseks on halvasti hooldatud elektrilised tööriistad.

f. Hoidke lõiketerad teravad ja puhtad. Õigesti hooldatud lõiketerad on teravad ja kiiluvad harvemini kinni ning neid on lihtsam juhtida.

g. Kasutage elektrilist tööriista, lisatarvikuid ja otsikuid vastavalt siin toodud juhiste ja nagu on ette nähtud seda tüüpi elektrilise tööriista puhul, võttes arvesse töötingimusi ja teostatava töö iseloomu. Elektriliste tööriistade kasutamine mitte selleks ettenähtud eesmärkidel võib põhjustada ohtlikke olukordi.

h. Hoidke elektrilist tööriista töötamise ajal isoleeritud käepidemetest, kui kinnitus võib sattuda ühendusse varjatud elektrijuhtme või seadme enda juhtmega. „Elus“ elekter võib tööriista metallosade kaudu and tööriista kasutajale elektrilöögi!

Akutööriista kasutamine ja hooldamine

- a. Laadige seadet ainult tootja poolt ettenähtud laadijaga.** Akulaadija, mis sobib teatud tüüpi akudele, võib olla tuleohtlik, kui seda kasutatakse teiste akudega.
- b. Kasutage elektrilisi tööriistu ainult ettenähtud akudega.** Kõik teised akud võivad tekitada vigastusi ja tulekahju.
- c. Kui patareisid ei kasutata, hoidke neid eemal metallesemetest nagu kirjaklambreid, mündid, võtmed, naelad, kruvid või muud väikesed metallist esemeid, mis võivad üksteise külge kinnituda ja patareid ühendada.** Lühise tagajärjel võite saada põletusi või võib tekkida tulekahju.

d. Patareist/akust vedeliku eraldumise korral vältige kontakti sellega. Kokkupuute korral loputage veega. Kui vedelik satub silma, pöörduge lisaks arsti poole. Akust/patareidest eralduv vedelik võib põhjustada nahaärritusi või põletusi.

Hooldus

- a. Laske oma tööriista hooldada kvalifitseeritud parandaja juures, kasutades ainult sellele tööriistale ettenähtud varuosi.** See tagab elektrilise tööriista ohutuse säilimise.

SEADMEPÕHISED OHUTUSJUHISED

Trelli ja kruvikeeraja ohutusjuhendid

Kasutage sobivaid detektoreid, et teha kindlaks, kas tööpiirkonnas on peidetud trasse või helistage

kohalikesse kommunaalettevõtetesse.

Kokkupuutel elektrijuhtmetega on tulekahju ja elektrilöögi saamise oht. Gaasijuhtme kahjustamine võib põhjustada plahvatuse. Katkine veetoru võib põhjustada varalise kahju või elektrilöögi.

Lülitage elektriline tööriist kohe välja, kui tööriista ots kinni kiilub.

Olge valmis, et suur pöördemoment võib põhjustada tagasilöögi. Tööriista ots jääb kinni kui: elektrilisel tööriistal on ülekoormus või see kiilub toorikus kinni. Hoidke masinat tugevalt. Kui keerate kruvisid lahti/kinni, võib korra tekkida suur pöördemoment.

Kinnitage toorik. Toorik kinnitage klambrite või kruustangidega, see tagab detaili parema paigalpüsimise kui käsitsi kinnihoidmine.

Hoidke oma töökoht puhas. Materjalide segud on eriti ohtlikud. Kergeete sulamite tolm on tuleohtlik või plahvatusohtlik.

Alati oodake, kuni masin on täielikult seiskunud, enne kui selle käest maha panete. Lisatud tööriista otsik võib kinni kiiluda ja te võite kaotada kontrolli masina üle.

Vältige seadme tahtmatut sisselülitamist. Enne aku sisestamist veenduge, et tööriist on välja lülitatud. Elektrilise tööriista kandmine, näpp päästikul või aku sisse panemine, kui tööriista päästik on „sisse“ asendis, võib põhjustada õnnetusi.

Laadija ohutusjuhend



Ainult siseruumides kasutamiseks.



Kahekordse isolatsiooniga.

Ärge jätke laadijat vihma või niiskuse kätte. Niiskuse tungimine laadijasse suurendab elektrilöögi saamise riski.

Ärge kasutage laadijat muude patareide laadimiseks. Laadija on ettenähtud ainult selle elektrilise tööriistaga koos tarnitud patareide laadimiseks. Muidu tulekahju- ja plahvatusoht.

Hoidke laadija puhas. Saastumine võib tekitada elektrilöögi saamise ohu.

Enne igat kasutuskorda kontrollige laadijat, juhet ja pistikut. Kui mõnel osal esineb kahjustusi, ei tohi laadijat kasutada. Ärge kunagi avage laadijat iseseisvalt. Seadet tohib parandada ainult kvalifitseeritud tehnik.

Kahjustatud laadija, juhtmed ja pistikud suurendavad elektrilöögi saamise riski.

Ärge asetage laadijat kergesti süttivatele pindadele (paber, tekstiilid jne) või nende lähedusse. Laadimise ajal laadija kuumeneb ja on tuleohtlik.

Tuleb jälgida, et lapsed ei mängiks laadijaga.

VIBRATSIOONIANDMED

Vibratsioonitase

Vibratsioonitase, mis on märgitud selles kasutusjuhendis, on mõõdetud kooskõlas

standardis EN 60745 kirjeldatud testiga. Seda võib kasutada ühe tööriista võrdlemiseks teisega ja eelhindangu andmiseks vibratsiooniga kokkupuute taseme kohta tööriista kasutamisel juhendis mainitud viisil. Kuid kasutades tööriista muudeks rakendusteks või koos erinevate või halvasti hooldatud lisatarvikutega, võib vibratsioonitase oluliselt suurened.

Vibratsiooniga kokkupuutetaseme hindamisel peaks arvesse võtma ka aega, kui tööriist on välja lülitatud või kui see on sisse lülitatud, kuid tegelikult sellega ei töötata, kuna see võib oluliselt vähendada vibratsiooniga kokkupuute taset, kogu tööaega arvesse võttes.

Kaitse ennast vibratsiooni toime vastu, hooldades tööriista ja selle tarvikuid, hoides oma käed soojad ja organiseerides hästi oma töövõtteid.

KOKKUPANEMINE

Enne masina enda kallal tööde alustamist (nt hooldus, tööriistavahetus jne), samuti transpordi ja ladustamise ajal, seadke pöörlemissuuna lüliti keskmisse asendisse. Soovimatu seadme käivitumine võib põhjustada vigastusi.

Aku laadimine

Kruvikeeraja/trelli laadimine

Kui laadija ühendatakse vooluvõrku, süttib kruvikeerajal/trellil punane diod. Diod süttib aku laadimise ajal (7).

Normaalsetes kasutustingimustes võib kruvikeerajat/trelli laadida sadu kordi.

TÄHELEPANU! Laadimise ajal aku kuumeneb.

Märkus: kruvikeeraja/trelliga kaasas olevat akut on laetud ainult testimiseks. Aku peab olema täielikult laetud enne esimest kasutamiskorda.

Esmalt tutvuge põhjalikult ohutusnõuetega ja siis järgige laadimisjuhiseid. Paigaldage trafo pistik kruvikeeraja/trelli pistikupesasse. Seejärel ühendage laadija trafo vooluvõrku.

Veenduge, et juhe ei oleks sõlmes ega järsult painutatud.

Laadija trafo ja aku on ettenähtud koos kasutamiseks.

ÄRGE kunagi kasutage laadijat, et laadida teiste tootjate juhtmeta tööriistu või akusid. Aku saab aja jooksul tühjaks, isegi kui tööriista ei kasutata.

Liitiumioonakud on kaitstud täieliku tühjaksäämist eest "Electronic Cell Protection (ECP)" abil. Kui aku on tühi, lülitub masin kaitsesüsteemi abil välja: sisestatud tööriist ei pöörle enam.



HOIATUS! Ärge vajutage On/Off (sisse/välja) lülitit, kui masin on automaatselt välja lülitunud. Aku võib kahjustuda.



HOIATUS! Laadige aku tulekindlal pinnal. Ärge laadige akut kauem kui kaheksa tundi. Punane diod muutub roheliseks, kui aku on täielikult laetud.

Kui trafot ei kasutata, ühendage selle juhe lahti ja hoiustage trafo sobilikus kohas.

Akut ei ole soovitatav laadida

temperatuuridel alla null kraadi.

Masinalt aku eemaldamiseks vajutage päästiku lülitit (5), kuni aku on täiesti tühjenenud. Keerake korpuse kruvid lahti ja eemaldage kaitsev kate. Ühendage aku kinnitused lahti ja eemaldage aku (vaadake joonist A).

KASUTUSJUHISED

Tööriista kasutamine

Märkus: Töö ajal võivad mootorikorpuse avadest sädemed näha olla. Sädemete teke on normaalne mootori kasutamise ajal, sädemed tekivad mootori sees olevate komponentide hõõrdumisel üksteise vastu. Elektrilise tööriista funktsiooni see ei mõjuta. Me ei soovita elektrilist tööriista kasutada kergesti süttivate vedelike, gaaside või tolmu lähedal, mis võivad sädemetega kokkupuutes süttida.

Otsikute paigaldamine

Enne tööde alustamist (nt hooldus, tööriista vahetus jne), samuti transpordi ja ladustamise ajal, seadke pöörlemissuuna lüliti keskmisse asendisse. Seadme soovimatu käivitumine võib põhjustada vigastusi. Reguleerige padruni ava veidi suuremaks kui puur, mida soovite tööks kasutada. Pange puur padrunisse. Keerake padrun vastu trelli kinni, nagu allpool kirjeldatud (kiirkinnituspadrun).

Pöörete reguleerimine

On võimalik reguleerida võlli kiirust nullist maksimaalseni, muutes rakendatavat jõudu. See võimaldab teil valida optimaalse töökiiruse. Kasutage madalamat kiirust kruvide kinni/lahti keeramiseks (positsioon 1 käigul (3)).

Pöörete valimine

Kasutage madalat kiirust, kui puurite metallist, plastist või keraamilisi materjale, kasutate kruvikeeraja funktsiooni või tööde teostamisel, mis nõuavad suurt pöördemomenti. Kasutage suuremat kiirust puidu puurimisel (positsioon 2 käigul (3)).

Pöörlemissuuna muutmise

Võite pöörlemissuunda muuta vajutades pöörlemissuuna muutmise lülile (4). Päästiku lukustamiseks keerake lüliti kesksesse positsiooni, paremale/vasakule valikuvõimaluste vahele.

Pöördemomendi reguleerimine

Keerake pöördemomendi regulaator (2) soovitud asendisse. Seadeid 1-19 kasutatakse kruvide kinni/lahti keeramiseks (mida suurem väärtus, seda suurem on pöördemoment). Valige trelli sümbol enne, kui alustate puurimist.

Kiirkinnituspadrun

Teie trellil on võtmeta kiirkinnituspadrun, nii et saate otsikuid lihtsalt ja mugavalt vahetada.

Padruni avamiseks/sulgemiseks hoidke tagumisest osast (10) ja keerake esimest osa (11).



HOIATUS: KINNIJÄÄMISE OHT

Ärge hoidke padruni esiosa ühe käega, kui samal ajal avate või sulgete padruni ava kruvikeeraja/trelli mootori abil.

HOOLDUS JA PUHASTAMINE

Enne seadme enda kallal tööd alustamist (nt hooldus, tööriista vahetamine jne), samuti transpordi ja ladustamise ajal, seadke pöörlemissuuna lüliti keskele.

Soovimatu seadme käivitumine võib

põhjustada vigastusi.

Seadme ohutuks ja korralikuks toimimiseks hoidke seade ja selle tuulutavad puhtad.

JÄÄTMEKÄITLUSJUHISED

Aita kaitsta keskkonda

Informatsioon (kodumajapidamistele) keskkonnateadlikkuse tõstmiseks ja elektroonikaseadmete jäätmete kõrvaldamiseks kooskõlas WEEE (Waste Electrical and Electronic Equipment) direktiiviga.



See sümbol toodetel või saatedokumentidel näitab, et kasutatud ja kasutusel kõrvaldatud elektri- ja elektroonikaseadmeid ei tohi visata olmeprügi hulka. Nõuetekohase kõrvaldamise, töötlemise, taaskasutamise ja ümbertöötlemise tagamiseks tuleb need tooted viia kogumispunkti, kus need tasuta vastu võetakse. Alternatiivina võib mõnes riigis tagastada oma tooted jaemüüjale, samaväärse uue toote ostmisel. Õige kasutusest kõrvaldamine aitab säästa väärtuslikke ressursse ning vältida võimalikke negatiivseid mõjusid inimese tervisele ja keskkonnale, mis muidu võivad kaasneda jäätmete vale kõrvaldamise ja käitlemisega. Palun võtke ühendust oma kohaliku omavalitsusega, et saada infot lähima kogumispunkti kohta. Vale jäätmekäitluse puhul võidakse kohaldada karistusi.

Patareide jäätmekäitus

Ärge visake patareid tavalise olmeprügi hulka. Vastavalt seadustele, peab kahjustatud ja tühjad patareid viima spetsiaalsesse kogumispunkti. Nende seaduste eiramine võib kaasa tuua

trahvi või muu karistuse.

Teave jäätmekäitluse kohta väljaspool
Euroopa Liitu.



See sümbol kehtib üksnes Euroopa
Liidus. Palun võtke ühendust asjakohaste
asutuste või jaemüüjatega teie riigis, et
saada infot nõuetekohase jäätmekäitluse
kohta.

**FIXA skrūvgriezis/urbis litija-jonu
14,4V****TEHNISKĀ INFORMĀCIJA**

Spriegums: 14,4 V

Akumulatora tips: 1,3 Ah litija-jonu

Lādētāja spriegums: vietējais

Uzlādes ilgums: 3-5 stundas

Urbjpatronas aptverspēja: 0,8 - 10 mm

Regulējams griezes moments: 19 +
urbšana

Maks. griezes moments: 16 Nm

Maks. apgriezienu skaits tukšgaitā:

Pozicija I 0 - 350 /min

Pozicija II 0 - 1200 /min

Uzgaļu turētājs: 6 mm

Urbjpatrona: 10 mm, bezatslēgas, ar ātrās
nomaiņas sistēmu

Svars: 1,1 kg

Vibrācija (saskaņā ar EN 60745-1, EN
60745-2-1, EN 60745-2-2):

< ah.D=1,245 m/s², K=1,5 m/s²,

ah=0,765 m/s², K=1,5 m/s²

Troksnis (saskaņā ar EN 60745-1):

Skaņas spiediena līmenis Lpa = 65,73

dB (A),

Kpa = 3 dB (A)

Skaņas jaudas līmenis Lwa = 76,73 dB
(A),

Kwa = 3 dB (A)

DETAĻU SARAKSTS

Instrumenta detaļu numurējums atbilst
numurējumam attēlā.

1. Bezatslēgas urbjpatrona
2. Griezes momenta regulators
(regulēšanas gredzens)
3. Ātruma pārslēdzējs
4. Atpakaļgaitas rotācijas slēdzis
5. Ātruma regulators/slēdzis
6. Uzgaļu turētājs
7. Gaismas diode
8. Lādētāja transformators

9. Transformatora spraudnis

10. Aizmugurējais gredzens

11. Priekšējā aploce

PIELIETOJUMS

Akumulatora urbis/skrūvgriezis paredzēts
koka, metāla, plastmasas un keramisku
materiālu urbšanai, kā arī skrūvju
pievilšanai vai atskrūvēšanai.

Komplektā iekļautie uzgaļi paredzēti tikai
šiem mērķiem. Tos nav ieteicams lietot
citiem mērķiem.

Šo ierīci nedrīkst lietot personas (tostarp
bērni) ar garīgiem traucējumiem, sensoro
procesu traucējumiem, pieredzes un
zināšanu trūkumu, ja vien tās neuzrauga
vai neapmāca persona, kas atbild par viņu
drošību.

Uzraugiet, lai bērni ar šo ierīci nespēlētos.

VISPĀRĪGA DROŠĪBAS INSTRUKCIJA**Vispārīga elektroinstrumentu
drošības instrukcija****BRĪDINĀJUMS!****Rūpīgi izlasiet visus drošības
brīdinājumus un instrukcijas.**

Instrukciju neievērošana var izraisīt
elektriskās strāvas triecienu, ugunsgrēku
un/vai nopietnas traumas.

**Saglabāiet visus brīdinājumus un
instrukcijas turpmākai uzziņai.**

Visos zemāk minētajos brīdinājumos
lietotais termins „elektroinstrument”
attiecas uz strāvu darbināmiem
(vadu) elektroinstrumentiem vai ar

akumulatoru darbināmiem (bezvadu) elektroinstrumentiem.

Darba zonas drošība

- a. **Nodrošiniet, lai darba zona būtu tīra un labi apgaismota.** Nekārtīgās un tumšās vietās iespējami negadījumi.
- b. **Nedarbiniet elektroinstrumentus sprādzienbīstamā vidē, piemēram, uzliesmojošu šķidrumu, gāzu vai putekļu klātbūtnē.** Elektroinstrumenti rada dzirksteles, kas var aizdedzināt putekļus vai izgarojumu tvaikus.
- c. **Elektroinstrumenta darbināšanas laikā tā tuvumā nedrīkst atrasties bērni un citas nepiederošas personas.** Nevēribas dēļ var zaudēt vadību pār ierīci.

Elektrodrošība

- a. **Elektroinstrumenta kontaktspraudņiem ir jāatbilst kontaktligzdai. Nekādā veidā nepārveidojiet kontaktspraudni. Nelietojiet nekādas spraudsavienojumus kopā ar iezemētiem elektroinstrumentiem.** Lietojot nepārveidotus kontaktspraudņus un atbilstošas kontaktligzdas, tiek samazināts elektriskās strāvas trieciena risks.
- b. **Izvairieties no saskares ar iezemētām virsmām, piemēram, caurulēm, radiatoriem, plītim un ledusskapjiem.** Elektriskās strāvas trieciena risks palielinās, ja jūsu ķermenis ir iezemēts.
- c. **Nepakļaujiet elektroinstrumentus lietus vai mitruma iedarbībai.** Ūdens iekļūšana elektroinstrumentos palielina elektriskās strāvas trieciena risku.

d. **Pareizi izmantojiet vadu. Nekad lietojiet vadu, lai elektroinstrumentu pārvietotu, vilktu vai izslēgtu. Neturiet vadu karstumā un eļļū, asmeņu vai kustīgu daļu tuvumā.** Bojāti vai sapinušies vadi palielina elektriskās strāvas trieciena risku.

- e. **Darbinot elektroinstrumentu ārpus telpām, izmantojiet pagarinātāju, kas piemērots lietošanai ārpus telpām.** Izmantojot vadu, kas ir paredzēts lietošanai ārpus telpām, tiek samazināts elektriskās strāvas trieciena risks.
- f. **Ja nevar izvairīties no elektroinstrumenta darbināšanas mitrās vietās, izmantojiet barošanu, kas aizsargāta ar noplūdes strāvas aizsardzības ierīcēm.** Noplūdes strāvas aizsardzības ierīču izmantošana samazina elektriskās strāvas trieciena risku.

Personiskā drošība

- a. **Darbinot elektroinstrumentu, esiet piesardzīgs, sekojiet līdzi tam, ko darāt, un lietojiet veselo saprātu. Nelietojiet elektroinstrumentu, ja esat noguris vai atrodaties narkotisku vielu, alkohola vai medikamentu iedarbībā.** Mirkļis neuzmanības elektroinstrumentu darbināšanas laikā var izraisīt smagus miesas bojājumus.
- b. **Lietojiet personiskos aizsarglīdzekļus. Vienmēr izmantojiet acu aizsargus.** Aizsarglīdzekļi, piemēram, pretputekļu maska, neslīdoši drošības apavi, ķivere vai dzirdes aizsargierīces, kas izmantoti atbilstošos apstākļos, pasargās no savainojumiem.
- c. **Pasargājiet ierīci no nejaušas iedarbināšanas Pirms ierīces pacelšanas, pārvietošanas vai**

pievienošanas strāvas avotam un/vai akumulatora blokam pārliecinieties, vai slēdzis ir izslēgtā stāvoklī.

Elektroinstrumentu pārvietošana, turot pirkstu uz slēdža, vai sprieguma padeve elektroinstrumentiem, kuriem ir ieslēgts slēdzis, var izraisīt negadījumus.

d. Pirms ieslēdzat elektroinstrumentu, noņemiet visas regulēšanas atslēgas vai uzgriežņatslēgas. Uzgriežņatslēga vai atslēga, kas atstāta piestiprināta pie elektroinstrumentu rotējošās daļas, var izraisīt miesas bojājumus.

e. Pārmērīgi neizstiepiet rokas. Vienmēr pareizi atbalstieties un noturiet līdzsvaru. Tādējādi nodrošināsīt efektīvāku elektroinstrumenta vadību neparedzētās situācijās.

f. Lietojiet piemērotu apērību. Nevelciet brīvu apērību vai rotaslietas. Nodrošiniet, lai mati, apērbs un cimdi nenonāktu kustīgo daļu tuvumā. Brīvs apērbs, rotaslietas un gari mati var ieķerties kustīgajās daļās.

g. Ja ierīces ir paredzēts pievienot putekļu nosūkšanas un savākšanas ierīcēm, nodrošiniet, lai tās tiktu pareizi pievienotas un izmantotas. Putekļu savācēju izmantošana var samazināt ar putekļiem saistīto kaitīgumu.

Elektroinstrumenta lietošana un apkope

a. Nesteidziniet elektroinstrumenta darbību. Izmantojiet darbam piemērotāko elektroinstrumentu. Pareizā elektroinstrumenta darbs būs efektīvāks un drošāks, strādājot tam paredzētajā ātrumā.

b. Nelietojiet elektroinstrumentu,

ja nedarbojas tā slēdzis.

Elektroinstrumenti, kuram nedarbojas slēdzis, ir bīstams, un tas ir jāremontē.

c. Pirms veicat kādus pielāgojumus, maināt piederumus vai novietojat elektroinstrumentu glabāšanā, atvienojiet kontaktspraudni no strāvas avota un/vai akumulatora bloku -no elektroinstrumenta.

Šādi profilaktiski drošības pasākumi samazina elektroinstrumentu nejausās iedarbināšanas risku.

d. Uzglabājiet elektroinstrumentus bērniem nepieejamās vietās un neļaujiet tos darbināt personām, kas nepazīna elektroinstrumenta darbību vai nav iepazinušās ar šiem norādījumiem. Elektroinstrumenti ir bīstami, ja ar tiem rīkojas neapmācīti lietotāji.

e. Veiciet elektroinstrumentu apkopi. Pārbaudiet kustīgo daļu savienojumus vai sastiprinājumus, detaļu bojājumus vai citus apstākļus, kas var ietekmēt elektroinstrumenta darbību. Ja konstatējat bojājumus, elektroinstrumentus pirms lietošanas ir jāsalabo. Daudzi negadījumi rodas nepareizas elektroinstrumentu apkopes dēļ.

f. Griezējinstrumentiem vienmēr jābūt asiem un tīriem. Pareizi apkopti griezējinstrumenti ar asiem asmeņiem retāk iesprūst un ir vieglāk vadāmi.

g. Elektroinstrumentu, tā piederumus, griežņus un citas sastāvdaļas lietojiet saskaņā ar šiem norādījumiem, ņemot vērā darba apstākļus un veicamo darbu. Elektroinstrumenta lietošana neparedzētiem mērķiem var izraisīt bīstamas situācijas.

h. **Turiet elektroinstrumentu tikai aiz izolētajām satveršanas virsmām, jo griezējasmens var saskarties ar paslēpto elektroinstalāciju vai savu strāvas kabeli.** Griezējasmēņu saskaršanās ar strāvas kabeli, var izraisīt elektroinstrumenta atklāto metāla daļu vadītspēju un radīt lietotājam elektriskās strāvas trieciena draudus.

Akumulatora instrumentu lietošana un kopšana

a. **Uzlādējiet akumulatorus tikai lādēšanas ierīcēs, ko iesaka ražotājs.** Lādēšanas ierīcē, kas piemērota noteiktam akumulatoru veidam, pastāv ugunsgrēka risks, ja tā tiek lietota ar citu akumulatoru.

b. **Izmantojiet elektroinstrumentos tikai tiem speciāli paredzētus akumulatorus.** Citu akumulatoru lietošana var izraisīt traumu un ugunsgrēka risku.

c. **Kad akumulators netiek izmantots, glabājiet to drošā attālumā no tādiem metāla priekšmetiem kā saspauzes, monētas, atslēgas, naglas, skrūves un citiem nelieliem metāla priekšmetiem, kas var savienot abas spaiļes.** Īssavienojums var izraisīt apdegumus vai ugunsgrēku.

d. **Ja akumulators tiek lietots nepareizi, no tā var izplūst šķidrums. Izvairieties no kontakta ar to. Nejauša kontakta gadījumā skalojiet ar ūdeni. Ja šķidrums nonāk acīs, sazinieties ar ārstu.** Akumulatora šķidrums var izraisīt ādas iekaisumus vai apdegumus.

Apkope

a. **Elektroinstrumentu remontu drīkst veikt tikai kvalificēta persona, izmantojot vienīgi oriģinālas vai tām identiskas rezerves daļas.** Šādā veidā tiek nodrošināta elektroinstrumenta drošība.

DROŠĪBAS TEHNIKAS INSTRUKCIJA

Urbju un skrūvgriežu drošības bridinājumi

Lai noskaidrotu, vai darba zonā neatrodas komunālo pakalpojumu līnijas, lietojiet piemērotu indikatoru vai sazinieties ar vietējo komunālo pakalpojumu uzņēmumu. Saskarsme ar elektrolīnijām var izraisīt ugunsgrēku vai elektriskās strāvas triecienu. Bojājumi gāzes vadā var izraisīt sprādzienu. Ūdensvada bojājumi var izraisīt īpašuma bojājumus vai elektriskās strāvas triecienu.

Ja elektroinstrumenti pēkšņi iestrēgst, nekavējoties to izslēdziet. Šādā gadījumā rodas ievērojams reaktīvais griezes moments, kas var izraisīt atsitieni. Instruments parasti iestrēgst šādos gadījumos:

- ja tas tiek pārslogots vai ja tas darbības laikā netiek turēts taisni.
- Turiet elektroinstrumentu cieši. Reaktīvais griezes moments parasti rodas skrūvēšanas laikā.

Nofiksējiet zāgējamo materiālu. Ar skavām nofiksēts materiāls ir stabilāks par materiālu, kas tiek pieturēts ar rokām.

Darba zonai jābūt tīrai. Dažādu materiālu saskarsme var būt bīstama. Viegļmetālu sakausējumu putekļi var aizdegties vai uzsprāgt.

Pirms ierīces nolikšanas nost, pārliecinieties, ka tā ir pilnībā apstājusies. Pretējā gadījumā ierīcē var iestrēgt kāds priekšmets, un jūs varat zaudēt kontroli pār to.

Nekādā gadījumā nelietojiet ierīci ar bojātu vadu. Ja vads sabojājas ierīces lietošanas laikā, nekādā gadījumā to neaiztieciot un nekavējoties atslēdziet ierīci no strāvas padeves avota. Bojāti vadi var izraisīt elektriskās strāvas triecienu.

Akumulatoru lādētāju drošības brīdinājumi



Lietošanai tikai iekštelpās.



Aizsargāts ar dubultu izolāciju.

Sargājiet lādētāju no lietus un mitruma, lai samazinātu elektriskās strāvas trieciena risku.

Lādējiet vienīgi akumulatorus, kas iekļauti elektroinstrumenta komplektā. Nav paredzēts citu akumulatoru lādēšanai. Pretējā gadījumā pastāv ugunsgrēka un sprādziena risks.

Akumulatora lādētājam jābūt tīram. Liels netīrumu daudzums var izraisīt elektriskās strāvas triecienu.

Priekš naudojimą, kiekvieną kartą patikrinkite įkroviklį, jo laidą ir kištuką. Jei randate bet kokius pažeidimų, įkroviklio nenaudokite. Nemėginkite ardyti įkroviklio. Visus remonto darbus turi atlikti

tik kvalifikuotas specialistas.

Elektros šoko rizika padidēja, naudojant netinkamos būklės įkroviklius, pažeistais laidais ar kištukais.

Nenaudokite įkroviklio ant degių paviršių (pvz., popieriaus, tekstilės ir pan.) ar degioje aplinkoje. Krovimo metu įkroviklis įkaista, todėl tokioje aplinkoje gali kilti gaisras.

Draudžiama vaikams žaisti su įkrovikliu.

INFORMĀCIJA PAR VIBRĀCIJU

Vibrācijas līmenis

Šajā pamācībā sniegtais vibrācijas līmenis ir izmērīts atbilstoši standartā EN 60745 noteiktajai procedūrai un var tikt lietots instrumentu salīdzināšanai. To var izmantot arī vibrācijas radītās papildu slodzes iepriekšējai novērtēšanai. Šeit sniegtais vibrācijas līmenis ir attiecināms uz elektroinstrumenta galvenajiem pielietojuma veidiem. Ja elektroinstrumenti tiek lietoti netipiskiem mērķiem, kopā ar netipiskiem darbinstrumentiem vai nav vajadzīgajā veidā apkalpots, tā vibrācijas līmenis var atšķirties no šeit sniegtās vērtības. Tas var ievērojami palielināt vibrācijas radīto papildu slodzi zināmam darba laika posmam.

Lai precīzi izvērtētu vibrācijas radīto papildu slodzi zināmam darba laika posmam, jāņem vērā arī laiks, kad elektroinstrumenti ir izslēgti vai arī darbojas, taču reāli netiek izmantoti paredzētā darba veikšanai. Tas var ievērojami samazināt vibrācijas radīto papildu slodzi zināmam darba laika posmam.

Veiciet papildu pasākumus, lai pasargātu

strādājošo personu no vibrācijas kaitīgās iedarbības, piemēram, savlaicīgi veiciet elektroinstrumenta un darbinstrumentu apkalpošanu, novērsiet roku atdzišanu un pareizi plānojiet darbu.

MONTĀŽA

Pirms jebkādu darbību veikšanas ar ierīci (piemēram, kopšanas, instrumentu nomaigas utt.), kā arī to transportējot vai uzglabājot, vienmēr pārliecinieties, ka atpakaļgaitas rotācijas slēdzis atrodas vidus pozīcijā. Netīša slēdža nospiešana var izraisīt traumas.

Akumulatora lādēšana

Skrūvgrieža/urbja lādēšana

Kad lādētājs ir pieslēgts strāvas padeves avotam, uz skrūvgrieža/urbja iedegas sarkana lampiņa. Lampiņa deg tik ilgi, kamēr akumulators tiek lādēts (7).

Normālos skrūvgrieža/urbja lietošanas apstākļos to iespējams uzlādēt vairākus simtus reižu.

UZMANĪBU! Lādēšanas laikā akumulators uzsilst.

Uzmanību: Komplektā iekļautā skrūvgrieža/urbja akumulators ir tikai daļēji uzlādēts. Pirms pirmās lietošanas reizes to nepieciešams uzlādēt pilnībā.

Vispirms izlasiet drošības instrukciju un tad ielādes instrukciju. Ievietojiet lādēšanas kontaktspraudni skrūvgrieža/urbja ligzdā. Tad pieslēdziet lādētāja transformatoru pie strāvas padeves avota.

Pārliecinieties, ka kabelis nav samezglojies vai saliekts.

Lādētāja transformatoru un akumulatoru paredzēts lietot kopā.

NEKĀDĀ GADĪJUMĀ nelietojiet šo lādētāju, lai uzlādētu cita ražotāja akumulatorus vai instrumentus. Pat ja instruments netiek izmantots, akumulators ar laiku izlādējas.

Litija-jonu akumulatorā ir pielietota elektroniskā elementu aizsardzība (Electronic Cell Protection (ECP)), kas to pasargā no dziļās izlādes. Ja akumulators ir izlādējies, īpaša aizsardzības sistēma instrumentu izslēdz, un tas pārtrauc kustēties.



BRĪDINĀJUMS! Ja instruments ir automātiski izslēdzies, nespiediet ieslēgšanas/izslēgšanas slēdzi. Tādējādi iespējams sabojāt akumulatoru.



BRĪDINĀJUMS! Akumulatora lādēšana jāveic uz neuzliesmojošas virsmas. Lādēšanu nedrīkst veikt ilgāk par 8 stundām. Kad akumulators būs pilnībā uzlādējies, sarkanā gaismiņa pārstās degt.

Atvienojiet vadu un uzglabājiet transformatoru tam piemērotā vietā, kad tas netiek izmantots.

Akumulatoru nav ieteicams lādēt temperatūrās, kas zemākas par 0°C.

Pirms akumulatora izņemšanas to nepieciešams pilnībā izlādēt, piespiežot slēdzi (5). Atskrūvējiet korpusa skrūves un noņemiet apvalku. Pirms akumulatora izņemšanas, atvienojiet visus tā savienojumus (skat. attēlu A).

LIETOŠANAS INSTRUKCIJA

Instrumenta lietošana

Uzmanību: Lietojot ierīci, cauri tās motora korpusa atverēm var būt redzamas dzirksteles. Dzirksteles ir normāla parādība, kas rodas motora esošo detaļu savstarpējas berzes rezultātā. Tas neietekmē ierīces normālu darbību. Tomēr ierīci nav ieteicams izmantot viegli uzliesmojošu šķīdumu, gāzu vai putekļu tuvumā, kur dzirksteles var izraisīt uguni.

Uzgaļu ievietošana

Pirms jebkādu darbību veikšanas ar ierīci (piemēram, kopšanas, instrumentu nomaigāšanas utt.), kā arī to transportējot vai uzglabājot, vienmēr pārliecinieties, ka atpakaļgaitas rotācijas slēdzis atrodas vidus pozīcijā. Netīša slēdža nospiešana var izraisīt traumas.

Noregulējiet urbpatronu tā, lai tās atvere būtu nedaudz lielāka par uzgali, ko paredzēts tajā ievietot. Ievietojiet uzgali urbpatronas atverē. Nofiksējiet uzgali, kā minēts zemāk (Bezatslēgas urbpatrona).

Griešanās ātruma regulēšana

Ar slēdzi iespējams regulēt apgriezīenu skaitu. Jo lielāks izdarītais spiediens, jo lielāks griešanās ātrums. Tādā veidā jūs varat izvēlēties konkrētajam mērķim visatbilstošāko griešanās ātrumu. Skrūvju pievilkšanai/atskrūvēšanai labāk izmantot mazāku ātrumu (ātruma pārslēdzēja (3) 1. pozīcija).

Griešanās ātruma izvēle

Lēns griešanās ātrums piemērots metāla, plastmasas un keramisku materiālu urbšanai, kā arī skrūvēšanai un darbiem, kam nepieciešams augsts griezes moments. Ātrs griešanās ātrums

piemērots kokmateriālu urbšanai (ātruma pārslēdzēja (3) 2. pozīcija).

Griešanās virziena maiņa

Griešanās virzienu iespējams mainīt ar atpakaļgaitas rotācijas slēdzi (4).

Lai slēdzi nofiksētu, noregulējiet griešanās virziena pārslēdzēju pa vidu.

Griezes momenta regulēšana

Pagrieziet griezes momenta regulatoru (2) vēlamajā pozīcijā. Skrūvju pievilkšanai/atskrūvēšanai izvēlieties pakāpi no 1 līdz 19 (jau augstāka vērtība, jo lielāks griezes moments). Izmantojot instrumentu urbšanai, izvēlieties urbja simbolu.

Bezatslēgas urbpatrona

Šis elektroinstruments aprīkots ar bezatslēgas urbpatronu, kas atvieglo uzgaļu ievietošanu, nofiksēšanu un izņemšanu.

Lai atvērtu/aizvērtu urbpatronu, turiet aizmugurējo gredzenu (10) un grieziet priekšējo aploci (11).



BRĪDINĀJUMS: IESPRŪŠANAS RISKS

Atverot vai aizverot urbpatronu ar urbja/skrūvgrieža motora palīdzību, neturiet tās priekšējo atloci ar vienu roku.

KOPŠANA UN TĪRĪŠANA

Pirms jebkādu darbību veikšanas ar ierīci (piemēram, kopšanas, instrumentu nomaigāšanas utt.), kā arī to transportējot vai uzglabājot, vienmēr pārliecinieties, ka atpakaļgaitas rotācijas slēdzis atrodas vidus pozīcijā. Netīša slēdža nospiešana var izraisīt traumas.

Pareizai un drošai ierīces lietošanai vienmēr pārlicinieties, ka ventilācijas atveres ir tīras.

UTILIZĀCIJAS INSTRUKCIJA

Vides aizsardzība

Informācija (mājsaimniecībām) par videi drošu elektrisko un elektronisko ierīču utilizāciju saskaņā ar direktīvu par elektrisko un elektronisko iekārtu atkritumiem.



Elektrisko un elektronisko preču simbols un dokumentācija norāda, ka šo preču nedrīkst izmest kopā ar parastiem sadzīves atkritumiem. Prece jānogādā savākšanas punktā, kur to bez maksas pieņems, utilizēs, atkārtoti lietos vai pārstrādās. Dažās valstīs preces var atgriezt to iegādes punktā. Šīs preces atbilstoša utilizācija palīdz saglabāt vērtīgus dabīgos resursus un samazina negatīvo ietekmi uz veselību un vidi. Sazinieties ar vietējo pašvaldību, lai noskaidrotu, kur ir jums tuvākais elektrisko un elektronisko atkritumu pieņemšanas punkts. Šāda veida preču nepareiza utilizācija var tikt sodāma atbilstoši likumam.

Bateriju utilizācija

Baterijas nedrīkst izmest ūdenī, ugunī vai kopā ar parastiem sadzīves atkritumiem. Saskaņā ar likumu, baterijas jānodod bateriju/akumulatoru pieņemšanas punktā. Nepareiza utilizācija var tikt sodāma atbilstoši likumam.

Utilizācijas informācija patērētājiem ārpus ES



Šis simbols ir spēkā esošs vienīgi Eiropas Savienībā. Sazinieties ar atbildīgajām valsts iestādēm, lai iegūtu informāciju par piemērotāko preces utilizācijas veidu.

Suktuvas/grąžtas FIXA (li-ion 14,4V)**TECHNINĖS SPECIFIKACIJOS**

Įtampa: 14,4 V

Akumulatoriaus tipas: 1,3 Ah ličio jonų

Įkroviklis: Vietos tinklo įtampa

Įkrovimo laikas: 3-5 val.

Griebtuvo skersmuo:

0,8 - 10 mm (1/32"-3/8")

Reguliuojamas sukimo momentas:

19 + gręžimas

Maks. sukimo momentas: 16 Nm

Maks. greitis (be apkrovos):

Padėtis I 0 - 350 /min.

Padėtis II 0 - 1200 / min.

Antgalių laikiklis: 6 mm (1/4")

Griebtuvas: 10 mm (3/8"), be rakto,

greitai fiksuojantis ir nuimamas griebtuvas

Svoris: 1,1 kg

Vibracija (pagal EN 60745-1,

EN 60745-2-1, EN 60745-2-2):

$a_{h,D}=2,5 \text{ m/s}^2$, $K=1,5 \text{ m/s}^2$,

$a_{h,K}=2,5 \text{ m/s}^2$, $K=1,5 \text{ m/s}^2$

Triukšmas (pagal EN 60745-1):

Garso slėgio lygis, $L_{pa} = 69 \text{ dB (A)}$,

$K_{pa} = 3 \text{ dB (A)}$

Garso galios lygis, $L_{wa} = 80 \text{ dB (A)}$,

$K_{wa} = 3 \text{ dB (A)}$

APRAŠYMAS

Grąžto/suktuvo dalys pažymėtos tuo pačiu numeriu, kaip ir paveikslėlyje.

1. Griebtuvas be rakto
2. Sukimo momento reguliatorius
3. Pavaros selektorius
4. Sukimo krypties jungiklis
5. Bepakopio greičio keitimo valdiklis/gaidukas
6. Suktuvo antgalio laikiklis
7. Indikatorius
8. Įkroviklio transformatorius
9. Transformatoriaus kištukas
10. Galinis žiedas
11. Priekinė mova

NAUDOJIMO PASKIRTIS

Šiuo belaidžiu grąžtu/suktuvu galima gręžti medieną, plastiką ir minkštą metalą bei įsukti/išsukti varžtus.

Pridedami antgaliai skirti šiems darbams atlikti. Nerekomenduojame naudoti jų pagal nenumatytą paskirtį.

Draudžiama naudoti neįgaliems asmenims, vaikams ir asmenims, neturintiems pakankamai žinių apie įrankių naudojimą ir patirties. Tokiu atveju juos turi apmokyti ir prižiūrėti už darbų saugą atsakingi asmenys.

Draudžiama vaikams žaisti su įrankiais.

SPECIALŪS SAUGOS NURODYMAI**Bendros elektrinių įrankių saugos instrukcijos**

ĮSPĖJIMAS!



Perskaitykite visus įspėjimus ir instrukcijas. Nesilaikant šių įspėjimų ir nurodymų, galima sukelti elektros šoką, gaisrą ir/ar susižaloti.

Saugokite šias instrukcijas.

Sąvoka „elektrinis įrankis“ naudojama visuose įspėjimuose reiškia elektrinius įrankius maitinamus iš elektros tinklo (su laidu) ar akumuliatorinius (belaidžius) įrankius.

Darbo vieta

a. Darbo vieta turi būti švari ir tinkamai apšviesta. Daugiau nelaimingų atsitikimų įvyksta netvarkingose ir

tamsiose darbo vietose.

b. Draudžiama naudoti elektrinius įrankius potencialiai sprogioje aplinkoje, pavyzdžiui, šalia degių skysčių, dujų ar dulkių. Kibirkštys atsirandančios naudojant elektrinius įrankius gali sukelti gaisrą.

c. Dirbant su elektriniu įrankiu, vaikai ir pašaliniai asmenys turi būti kuo toliau nuo darbo vietos. Jie gali blaškyti.

Elektros sauga

a. Elektrinio įrankio kištukas turi sutapti su lizdu. Draudžiama bet koku būdu keisti kištuką ir naudoti adapterius, kuriais įžeminami elektros įrankiai. Naudodami nepakeistus kištukus ir atitinkamus lizdus sumažinsite elektros šoko galimybę.

b. Venkite kūno sąlyčio su įžemintais paviršiais, pavyzdžiui, vamzdynais, radiatoriais, viryklėmis ir šaldytuvais. Jei kūnas įžemintas, didėja elektros šoko rizika.

c. Saugokite elektrinius įrankius nuo lietaus ir drėgmės. Vanduo patekęs į elektrinį įrankį gali sukelti elektros šoką.

d. Nepažeiskite laido. Neneškite įrankio, netraukite jo iš lizdo paėmę už laido. Saugokite laidą nuo karščio, tepalų, aštrių kraštų ar judančių mechanizmų. Elektros šoko rizika didėja, jei laidas pažeistas ar supainiotas.

e. Naudodami elektrinį įrankį lauke, junkite prie tinkamo naudoti lauke prailgintuvo. Šitai apsisaugosite nuo elektros šoko.

f. Jei būtina naudoti elektrinį įrankį drėgnoje aplinkoje, naudokite įrankį su likutinės srovės grandinės pertraukikliu (RCD). Tokiu būdu sumažinsite elektros šoko riziką.

Asmeninė sauga

a. Dirbdami su elektriniu įrankiu, būkite dėmesingi ir racionalūs. Nereikėtų naudoti įrankio, kai esate pavargę. Draudžiama juo dirbti apsvaigus nuo vaistų ar alkoholio. Bet koks nedėmesingumas naudojant įrankį gali baigtis sužalojimais.

b. Naudokite asmenines apsaugos priemones. Dėvėkite apsauginius akinius. Nuo sužalojimų apsaugos kvėpavimo takų apsauginės priemonės, avalynė neslystančiais padais, šalmas ir ausinės ar ausų kištukai.

c. Saugokite, kad įrankis neįsijungtų netikėtai: prieš jungiant į lizdą/ baterijos bloką, keliant ar nešant įrankį jungiklis turi būti OFF padėtyje. Pavojinga nešti įrankį laikant pirštą ant jungiklio ar jungti kištuką į lizdą, kai jungiklis padėtyje ON.

d. Prieš įjungdami elektrinį įrankį, nuimkite raktus ar veržliarakčius. Galima susižaloti, jei jie bus palikti prie sukamųjų įrankio dalių.

e. Nepersisverkite. Stovėkite patogiai, tvirtai ir laikykite pusiausvyrą. Šitai padės valdyti įrankį ir išvengs netikėtumų.

f. Dėvėkite tinkamus drabužius. Jie neturi būti laisvi. Nusiimkite visus papuošalus. Saugokite, kad plaukai, drabužiai ir pirštinės nepatektų į judančias detales. Laisvi rūbai, papuošalai ar ilgi palaidi plaukai gali

lengvai pakliūti tarp besisukančių dalių.

g. Jei įrankiai sujungiami su dulkių ištraukimo ir surinkimo prietaisais, patikrinkite, ar jie tinkamai prijungti ir naudojami. Naudojant tokius prietaisus mažėja dulkių sukeliama nelaimingų atsitikimų rizika.

Elektrinio įrankio naudojimas ir priežiūra

a. Nespartinkite elektrinio įrankio, nenaudokite jėgos. Naudokite įrankius pagal paskirtį. Bet kokį darbą su tinkamu pagal numatytą paskirtį įrankiu atliksite lengviau, saugiau ir kokybiškiau.

b. Nenaudokite įrankio, jei neveikia jungiklis. Pavojinga dirbti su tokiais įrankiais, sutaisykite jį.

c. Prieš reguliuodami, keisdami priedus ar palikdami įrankį ilgesniam laikui, ištraukite kištuką iš maitinimo lizdo ir/ar baterijos bloko. Taip elektrinis įrankis neįsijungs netikėtai.

d. Elektrinius įrankius saugokite nuo vaikų ir neleiskite jais naudotis asmenims, nemokantiems juo naudotis ar nesusipažinusiems su naudojimo ir saugos instrukcijomis. Tai pavojinga.

e. Tinkamai prižiūrėkite įrankius. Tikrinkite visas judančias dalis, ar jos neatsilaisvino, nesulankstytos, nesulūžę ir pan. Jei detalės nėra tinkamos būklės, įrankį sutaisykite. Daug nelaimingų atsitikimų įvyksta naudojant netvarkingus įrankius.

f. Pjovimo įrankiai turi būti pagaląsti ir švarūs. Tinkamai prižiūrimais pjovimo

įrankiais su aštriomis geležtėmis dirbti lengviau ir jie rečiau susilanksto.

g. Naudokite elektrinius įrankius, priedus, antgalius ir t.t. pagal naudojimo instrukcijas ir jų paskirtį, atsižvelgiant į darbo sąlygas bei atliekamą darbą. Pavojinga naudoti įrankius ne pagal jų numatytą paskirtį.

h. Atliekant darbus, kada instrumentai gali pasiekti paslėptas instaliacijas ar savo paties laidą, laikykite už izoliuotų paviršių. Instrumentui susilietus su laidu, kuriuo teka įtampa, ji gali pereiti per elektrinį įrankį ir sukelti dirbančiajam elektros šoką.

Akumuliatorinio įrankio naudojimas ir priežiūra

a. Įkraukite tik gamintojo nurodytu įkrovikliu. Naudojant kito akumuliatoriaus įkroviklį galima sukelti gaisrą.

b. Įrankius naudokite tik su jam skirtu baterijų bloku. Naudojant kito įrankio bloką galima sukelti gaisrą.

c. Kai baterijos nenaudojamos, jas reikia laikyti atokiai nuo kitų metalinių daiktų, pavyzdžiui, sąvaržėlių, monetų, raktų, vinių, varžtų ar kitų mažų metalinių daiktų, kurie galėtų sujungti gnybtus. Įvykus trumpam jungimui, galima nudegti ar sukelti gaisrą.

d. Netinkamai naudojant, iš akumuliatoriaus gali išsilieti skystis; venkite sąlyčio su juo. Jei patenka ant odos, plaukite vandeniu. Jei patenka į akis, kreipkitės į gydytoją. Iš akumuliatoriaus/baterijų išsiliejęs skystis gali dirginti ir nudeginti.

Aptarnavimas

a. Elektrinius įrankius turi taisyti kvalifikuotas specialistas, naudojantis tik originalias atsargines detales.

Tokiu būdu įrankis bus tinkamai prižiūrimas ir naudojamas.

SPECIALŪS SAUGOS NURODYMAI

Grašų ir sukutvų naudojimo saugos nurodymai

Naudokite tinkamus paslėptų darbo vietoje elektros laidų ir pan., jei tokių yra, paieškos prietaisais arba kreipkitės į vietos komunalinių paslaugų tiekėjus. Užkliudžius ar pažeidus elektros laidus, galima sukelti gaisrą ir elektros šoką. Pažeidus dujų vamzdynus, galima sukelti sprogią, o sugadinus vandentiekio linijas, galima užlieti vandeniu ir sugadinti turtą arba sukelti elektros šoką.

Jei užstringa įrankio įdėklas, nedelsiant išjunkite įrankį. Saugokitės didelio reakcinio sukimo momento, kuris gali sukelti atitrūkumą.

Įrankio įdėklas užstringa dėl:

- elektrinio įrankio perkrovos arba kliūčių dirbinyje.

Tvirtai laikykite įrankį. Įsukant ir išsukant varžtus galimas trumpas reakcinio sukimo momentas.

Suspauskite dirbinį spaustuvais. Taip saugiau, nei laikyti jį rankomis.

Dirbinys turi būti švarus. Susidarę medžiagų mišiniai yra ypač pavojingi. Lengvų lydinų dulkės gali užsidegti ir sprogti.

Prieš padėdami įrankį į šalį, palaukite, kol jis visiškai sustos. Įrankio įdėklas gali užstringti ir įrankį bus sunku suvaldyti.

Saugokite, kad įrankis neįsijungtu netikėtai. Prieš įdedant baterijų bloką, jungiklis turi būti OFF padėtyje. Pavojinga nešti įrankį laikant pirštą ant jungiklio ar dėti baterijų bloką, kai jungiklis padėtyje ON.

Įkroviklių naudojimo saugos nurodymai



Skirta naudoti tik patalpoje.



Dviguba izoliacija.

Saugoti įkroviklį nuo vandens ir drėgmės. Vanduo patekęs į elektrinį įrankį gali sukelti elektros šoką.

Nekraukite kitų akumuliatorių.

Įkroviklis skirtas tik įkrauti prie elektrinio įrankio pridedamą akumuliatorių. Nesilaikant šio reikalavimo, galima sukelti gaisrą ir sprogią.

Įkroviklis turi būti švarus. Nešvarumai gali tapti elektros šoko priežastimi.

Prieš naudojimą, kiekvieną kartą patikrinkite įkroviklį, jo laidą ir kištuką. Jei randate bet kokių pažeidimų, įkroviklio nenaudokite. **Nemėginkite ardyti įkroviklio. Visus remonto darbus turi atlikti tik kvalifikuotas specialistas.**

Elektros šoko rizika padidėja, naudojant netinkamos būklės įkroviklius, pažeistais laidais ar kištukais.

Nenaudokite įkroviklio ant degių paviršių (pvz., popieriaus, tekstilės ir pan.) ar degioje aplinkoje. Krovimo metu įkroviklis įkaista, todėl tokioje aplinkoje gali kilti gaisras.

Draudžiama vaikams žaisti su įkrovikliu.

INFORMACIJA APIE VIBRACIJĄ

Vibracijos lygis

Vibracijos sklaidos lygis nurodytas šiose instrukcijose matuojamas pagal EN 60745 standartizuotus bandymus. Matavimų rezultatus galima panaudoti lyginant vieną įrankį su kitu ir vertinant vibracijos poveikį, kai įrankis naudojamas pagal paskirtį. Vibracijos poveikis gali būti didesnis, jei įrankis naudojamas ne pagal paskirtį, su kitais ar netvarkingais priedais.

Vertinant vibracijos poveikį taip pat reikia atsižvelgti į tai, kiek kartų įrankis išjungiamas ar veikia tuščiai, kadangi tai gali gerokai sumažinti vibracijos poveikį apskaičiuojamą per visą darbo laiką.

Nuo vibracijos poveikio galite apsisaugoti tinkamai prižiūrėdami įrankius ir jų priedus, darbo vietą bei pasirūpindami, kad rankos visada būtų šiltos.

SURINKIMAS

Prieš pradėdami įrankio remonto ar priežiūros darbus, taip pat gabenant bei saugant jį, nustatykite sukimo krypties jungiklį ties centru. Atsitiktinai įjungus jungiklį-gaiduką galima susižeisti.

AKUMULATORIAUS ĮKROVIMAS

Suktuvo/gražto įkrovimas

Kai įkroviklis prijungtas prie elektros energijos tinklo, užsidega raudonas suktuvo/gražto indikatorius. Jis šviečia įkraunant akumuliatorių (7).

Įprastai naudojant įrankį galima įkrauti kelis šimtus kartų.

DĖMESIO! Įkraunant akumuliatorius įkaista.

Pastaba: Suktuvo/gražto akumuliatorius įkrautas tik iš dalies, todėl prieš naudojant jį reikia visiškai įkrauti.

Pirmiausia, perskaitykite saugos instrukcijas ir įkraukite pagal nurodymus. Įkiškite transformatoriaus kištuką į suktuvo/gražto lizdą. Tada įjunkite įkroviklio transformatorių į maitinimo lizdą.

Laidas turi būti tiesus, nesusisukęs, neperlenktas, be mazgų.

Šis įkroviklio transformatorius skirtas būtent šiam akumuliatoriui.

NIEKADA nenaudokite šio įkroviklio įkrauti kitų gamintojų belaidžius įrankius ar akumuliatorius. Akumuliatorius po kurio laiko išseks, net nenaudojant įrankio.

Elektroninė elementų apsauga (ECP) apsaugo ličio jonų akumuliatorių nuo visiško iškrovimo. Kai akumuliatorius tuščias, įrankį išjungia apsauginė grandinė: įstatytas antgalis nustoja sukintis.



ĮSPĖJIMAS! Nespauskite įjungimo/išjungimo mygtuko, jei įrankis automatiškai išsijungė. Galite sugadinti akumuliatorių.



ĮSPĖJIMAS! Palikite akumuliatorių krautis ant nedegaus paviršiaus, ir neilgiau kaip aštuonias valandas. Raudonas indikatorius švies žalia spalva, kai akumuliatorius bus visiškai įkrautas.

Ištraukite transformatorių iš maitinimo lizdo, kai jis nenaudojamas, ir laikykite tinkamoje vietoje.

Nereikėtų krauti akumuliatoriaus, kai temperatūra nukrenta žemiau nulio.

Išimdami akumuliatorių, spauskite jungiklį-gaiduką (5), kol akumuliatorius visiškai išsikraus. Atsukite korpuso varžtus ir išimkite jį. Atjunkite akumuliatoriaus jungtis ir išimkite akumuliatorių (žr. A pav.).

NAUDOJIMO INSTRUKCIJOS

Įrankio naudojimas

Pastaba: kai įrankis įjungtas, pro variklio korpuso angas gali būti matomos kibirkštys. Tai normalu, nes jos kyla nuo variklio dalių trinties, ir niekaip neveikia tinkamo įrankio darbo. Vis dėlto rekomenduojame nenaudoti įrankio arti degių skysčių, dujų ar susikaupusių dulkių, nes kibirkštys gali sukelti gaisrą.

Gręžimo/sukimo antgalių tvirtinimas
Prieš pradėdami įrankio remonto ar priežiūros darbus, taip pat gabenant bei saugant jį, nustatykite sukimo krypties

jungiklį ties centru. Atsitiktinai įjungus jungiklį-gaiduką galima susižeisti.

Nustatykite griebtuvo angą taip, kad ji būtų šiek tiek didesnė už naudojamo antgalio galvutę. Įdėkite antgalį į griebtuvą. Suveržkite griebtuvą, kaip aprašyta aukščiau (Griebtuvas be rakto).

Sukimo greičio nustatymas

Greitį galima reguliuoti nuo nulinio iki didžiausio atitinkamai spaudžiant jungiklį-gaiduką. Tokiu būdu galima pasirinkti optimalų greitį pagal atliekamą darbą. Varžtus suveržti/atlaisvinti reikėtų nedideliu greičiu (1 padėtis pavarų selektoriuje (3)).

Sukimo greičio pasirinkimas

Pradėdami gręžti metalą, plastiką ar keramiką, naudodami suktuvo funkciją ar atlikdami darbus, kur reikalingas aukštas sukimo momento laipsnis, nustatykite nedidelį greitį. Didelis greitis reikalingas gręžiant medieną (2 padėtis pavarų selektoriuje (3)).

Sukimo krypties keitimas

Sukimo kryptį galima keisti krypties keitimo jungikliu (4).

Norėdami fiksuoti jungiklį-gaiduką, nustatykite selektorių ties viduriu tarp dešinės ir kairės pasirinkties.

Veržimo momento reguliavimas

Nustatykite norimą sukimo momento reguliatoriaus (2) padėtį. Padėtys nuo 1 iki 19 naudojamos veržti/atsukti varžtus (kuo didesnė reikšmė, tuo stipresnis veržimo momentas). Prieš naudojant įrankį gręžimo darbams atlikti, pasirinkite gražto simbolį.

Griebtuvas be rakto

Grąžto griebtuvui nereikalingas raktas, todėl galite be vargo suveržti ar atlaisvinti grąžtus/antgalius.

Norėdami atidaryti/uždaryti griebtuvą, laikykite galinį žiedą (10) ir sukite priekinę movą (11).



ĮSPĖJIMAS: GALIMA

PRISISPAUSTI Negalima laikyti priekinės griebtuvo movos viena ranka ir tuo pat metu atidaryti ar uždaryti griebtuvo gnybtų, naudojantis grąžto/suktuvo varikliu.

PRIEŽIŪRA IR VALYMAS

Prieš pradėdami įrankio remonto ar priežiūros darbus, taip pat gabenant bei saugant jį, nustatykite sukimo krypties jungiklį ties centru.

Atsitiktinai įjungus jungiklį-gaiduką galima susižeisti.

Siekiant užtikrinti saugų darbą, įrankis ir jo vėdinimo angos visada turi būti švarios.

SAUGAUS GAMTAI ATLIEKŲ TVARKYMO NURODYMAI

Saugokime aplinką

Informacija (buitiniams vartotojams) apie saugų aplinkai atliekų tvarkymą pagal direktyvą dėl elektrinių ir elektroninių atliekų.



Šiuo ženklu pažymėtų elektrinių ir elektroninių gaminių negalima sunaikinti kaip buitinių atliekų. Siekiant užtikrinti, kad tokie gaminiai bus tinkamai sunaikinti, valomi, panaudojami ar perdurbami,

prašome pristatyti juos į specialius surinkimo punktus, kur juos priims be jokio mokesčio. Kai kuriose šalyse gali būti prašoma grąžinti juos pardavėjui įsigyjant naujus tokius pačius gaminius. Tinkamai tvarkant tokias atliekas, tausojami ištekčiai ir nuo šalutinių poveikių, kurių galima tikėtis aplaidžiai juos naudojant ir sunaikinant, žmogaus sveikatai ir aplinkai. Dėl informacijos apie artimiausius surinkimo punktus prašome kreiptis į vietos institucijas. Netinkamu būdu tvarkant tokias atliekas, galimos įstatymuose numatytos baudos.

Panaudotų ar sugedusių baterijų tvarkymas

Panaudotų baterijų/akumuliatorių negalima tvarkyti kaip buitinių atliekų, mesti į ugnį ar vandenį. Pagal aplinkosaugos reikalavimus panaudoti ar sugedę akumulatoriai/baterijos turi būti grąžinami pardavėjui ar pristatomi į jų surinkimo vietas. Pažeidus šiuos reikalavimus, galimos baudos.

Informacija pramoniniams vartotojams apie atliekų tvarkymą ne Europos Sąjungos šalyse



Šis ženklas galioja tik Europos Sąjungos šalyse.

Jei norite sunaikinti šiuos gaminius, dėl informacijos apie tinkamus atliekų tvarkymo būdus prašome kreiptis į vietos institucijas ar platintoją.

สว่านไขควงรุ่น FIXA/ฟิคซ่า ลิเทียมไอออน 14.4 โวลต์

ข้อมูลทางเทคนิค

แรงดันไฟฟ้า: 14.4 โวลต์
 ชนิดแบตเตอรี่: 1.3 Ah ลิเทียมไอออน
 ที่ชาร์จ: ตามแรงดันไฟฟ้าบ้าน
 เวลาชาร์จ: 3-5 ชั่วโมง
 ขนาดหัวจับ: 0.8-10 มม. (1/32"-3/8")
 ปรับค่าแรงบิด: 19 + drilling
 ค่าแรงบิดสูงสุด: 16 Nm
 ความเร็วรอบสูงสุด (ขณะหมุนเปล่า)
 ตำแหน่งที่ I 0 - 350 รอบ/นาที
 ตำแหน่งที่ II 0 - 1200 รอบ/นาที
 หัวจับดอกไขควง: 6 มม. (1/4")
 หัวจับดอกสว่าน: 10 มม. (3/8"), ไม่ใช่จำปา, quick-fit quick-release
 น้ำหนัก: 1.1 กก. (2.42 ปอนด์)
 ความสั่นสะเทือน (ตามมาตรฐาน EN 60745-1, EN 60745-2-1, EN 60745-2-2):
 $a_{h,D} = 2.5 \text{ m/s}^2$, $K = 1.5 \text{ m/s}^2$,
 $a_{h,n} = 2.5 \text{ m/s}^2$, $K = 1.5 \text{ m/s}^2$
 ระดับเสียง (ตามมาตรฐาน EN 60745-1):
 ความดันเสียง Lpa = 69 ดบ. (A),
 Kpa = 3 ดบ. (A)
 กำลังเสียง Lwa = 80 ดบ. (A),
 Kwa = 3 ดบ. (A)

อุปกรณ์มาตรฐาน

รายการอุปกรณ์มาตรฐานตามภาพสว่าน/ไขควงไฟฟ้าในคู่มือการใช้งาน

1. หัวจับแบบไม่ใช้ประแจ
2. แหวนควบคุมแรงบิด
3. ตัวล็อกเกียร์
4. สวิตช์เปลี่ยนทิศทางการหมุน
5. สวิตช์ควบคุมความเร็ว/ไกสวิตช์
6. หัวจับดอกไขควง
7. ไฟไดโอด
8. หม้อแปลงที่ชาร์จ
9. ปลั๊กแปลง
10. แหวนรอง
11. ปลอกสว่าน

ขอบเขตการใช้งาน

ไขควง/สว่านไร้สายนี้ใช้สำหรับงานเจาะไม้ พลาสติก วัสดุโลหะอ่อน และขัน/คลายสกรู ดอกสว่านที่ใหม่ด้วยนี้เหมาะสำหรับการใช้งาน **ไม่ควร** ใช้อุปกรณ์เสริมอื่นใดนอกเหนือจากดอกสว่านนี้

ไม่ควรให้บุคคล (รวมทั้งเด็กเล็ก) ที่มีสภาพร่างกายไม่แข็งแรงหรือสภาพจิตใจไม่ปกติ หรือขาดประสบการณ์และความรู้ความเข้าใจนำเครื่องมือนี้ไปใช้ เว้นแต่จะอยู่ในการควบคุมดูแลหรือได้รับคำแนะนำในการใช้งานโดยผู้ที่รับผิดชอบในด้านความปลอดภัย

เด็กเล็กควรได้รับการดูแลเพื่อป้องกันไม่ให้นำเครื่องมือนี้ไปเล่น

ข้อปฏิบัติเพื่อความปลอดภัย

คำแนะนำทั่วไปเพื่อความปลอดภัย



คำเตือน!



อ่านและปฏิบัติตามคู่มือและคำแนะนำทั้งหมด การไม่ปฏิบัติตามหรือการละเลยข้อปฏิบัติที่กำหนดไว้ อาจก่อให้เกิดอุบัติเหตุไฟดูด ไฟไหม้ และ/หรือการบาดเจ็บสาหัส

เก็บเอกสารคำเตือนและคำแนะนำทั้งหมดไว้เพื่อใช้เป็นข้อมูลอ้างอิงต่อไป

คำว่า "เครื่องมือไฟฟ้า" ที่ปรากฏในเอกสารคำเตือนทั้งหมดนี้ หมายถึงเครื่องมือไฟฟ้าชนิดมีสายไฟเสียบกับเต้ารับของไฟบ้าน รวมไปถึงเครื่องมือไฟฟ้าไร้สายที่ทำงานด้วยแบตเตอรี่

ความปลอดภัยในที่ทำงาน

1. รักษาความสะอาดของที่ทำงาน และจัดให้มีแสงสว่างเพียงพอ ที่ทำงานที่มีดี รกหรือยังไม่เป็นระเบียบสามารถก่อให้เกิดอุบัติเหตุได้ง่าย
2. ห้ามใช้เครื่องมือไฟฟ้าในสภาพแวดล้อมที่อาจเกิดระเบิดได้ เช่น ในที่มีของเหลวไวไฟ ก๊าซ หรือฝุ่นละออง เพราะขณะใช้งานเครื่องมือจะก่อประกายไฟ

ซึ่งอาจทำให้ฝุ่นละอองในบริเวณนั้นติดไฟและลุกไหม้ขึ้นได้

3. ขณะใช้เครื่องมือ ควรให้เด็กและบุคคลอื่นอยู่นอกบริเวณที่ปฏิบัติงาน การเสียมสารขณะทำงาน อาจก่อให้เกิดอุบัติเหตุได้

ความปลอดภัยในการใช้เครื่องมือไฟฟ้า

1. ปลั๊กของเครื่องมือไฟฟ้าต้องเข้ากับเต้ารับที่เข้ากันได้ ห้ามตัดแปลงแก้ไขปลั๊กไม่ว่าด้วยวิธีใด ห้ามใช้อะแดปเตอร์ต่อกับเครื่องมือไฟฟ้าที่มีสายดิน การใช้ปลั๊กไฟและเต้ารับชนิดที่ถูกต้องเข้ากันได้ ช่วยลดโอกาสเสี่ยงที่จะเกิดไฟฟ้าดูด

2. หลีกเลี่ยงการสัมผัสกับพื้นผิวที่ทำให้เกิดไฟดูดได้ง่าย เช่น ท่อ เครื่องทำความร้อน เตา และตู้เย็น เพราะเมื่อร่างกายหรืออวัยวะสัมผัสกับพื้นผิวเหล่านี้ ทำให้ไฟฟ้าไหลครบวงจร และเกิดไฟดูดได้

3. เก็บเครื่องมืออย่าให้เปียกฝนหรืออยู่ในสภาพเปียกชื้น ถ้านำเข้าเครื่อง จะยิ่งทำให้มีความเสี่ยงสูงที่จะถูกไฟดูด

4. ใช้สายไฟอย่างถูกต้อง ห้ามหิ้วเครื่องมือโดยหิ้วที่สายไฟ ห้ามดึงสายไฟเพื่อดึงเครื่องมือเข้าหาตัว และห้ามกระชากสายไฟเพื่อถอดปลั๊ก เก็บสายไฟให้พ้นจากความร้อน น้ำมัน ของมีคม หรือเครื่องจักรที่กำลังหมุนหรือเคลื่อนไหว สายไฟที่ชำรุดเสียหายหรือพันกัน ทำให้มีความเสี่ยงสูงที่จะถูกไฟดูด

5. เมื่อนำเครื่องมือไปใช้นอกบ้านหรือกลางแจ้ง ให้เลือกใช้สายต่อพ่วงที่เหมาะสมสำหรับใช้งานภายนอก เพื่อลดความเสี่ยงของการเกิดไฟฟ้าดูด รวมทั้งใช้เบรกเกอร์ป้องกันไฟรั่วไฟดูด (residual circuit breaker device)

6. ไม่แนะนำให้ใช้เครื่องมือในที่เปียกชื้น แต่หากหลีกเลี่ยงไม่ได้ ให้ใช้เครื่องตัดกระแสไฟ RCD เพื่อป้องกันไฟดูด

ความปลอดภัยในการใช้เครื่องมือไฟฟ้า

1. ปลั๊กของเครื่องมือไฟฟ้าต้องเข้ากับเต้ารับที่เข้ากันได้ ห้ามตัดแปลงแก้ไขปลั๊กไม่ว่าด้วยวิธีใด ห้ามใช้อะแดปเตอร์ต่อกับเครื่องมือไฟฟ้าที่มีสายดิน การใช้ปลั๊กไฟ

และเต้ารับชนิดที่ถูกต้องเข้ากันได้ ช่วยลดโอกาสเสี่ยงที่จะเกิดไฟฟ้าดูด

2. หลีกเลี่ยงการสัมผัสกับพื้นผิวที่ทำให้เกิดไฟดูดได้ง่าย เช่น ท่อ เครื่องทำความร้อน เตา และตู้เย็น เพราะเมื่อร่างกายหรืออวัยวะสัมผัสกับพื้นผิวเหล่านี้ ทำให้ไฟฟ้าไหลครบวงจร และเกิดไฟดูดได้

3. เก็บเครื่องมืออย่าให้เปียกฝนหรืออยู่ในสภาพเปียกชื้น ถ้านำเข้าเครื่อง จะยิ่งทำให้มีความเสี่ยงสูงที่จะถูกไฟดูด

4. ใช้สายไฟอย่างถูกต้อง ห้ามหิ้วเครื่องมือโดยหิ้วที่สายไฟ ห้ามดึงสายไฟเพื่อดึงเครื่องมือเข้าหาตัว และห้ามกระชากสายไฟเพื่อถอดปลั๊ก เก็บสายไฟให้พ้นจากความร้อน น้ำมัน ของมีคม หรือเครื่องจักรที่กำลังหมุนหรือเคลื่อนไหว สายไฟที่ชำรุดเสียหายหรือพันกัน ทำให้มีความเสี่ยงสูงที่จะถูกไฟดูด

5. เมื่อนำเครื่องมือไปใช้นอกบ้านหรือกลางแจ้ง ให้เลือกใช้สายต่อพ่วงที่เหมาะสมสำหรับใช้งานภายนอก เพื่อลดความเสี่ยงของการเกิดไฟฟ้าดูด รวมทั้งใช้เบรกเกอร์ป้องกันไฟรั่วไฟดูด (residual circuit breaker device)

6. ไม่แนะนำให้ใช้เครื่องมือในที่เปียกชื้น แต่หากหลีกเลี่ยงไม่ได้ ให้ใช้เครื่องตัดกระแสไฟ RCD เพื่อป้องกันไฟดูด

ความปลอดภัยส่วนบุคคล

1. ต้องมีสติและตื่นตัวอยู่เสมอ ห้ามละสายตาจากงานที่ทำ ห้ามใช้เครื่องมือขณะรู้สึกเหน็ดเหนื่อย อ่อนเพลีย มึนเมาหรือขณะใช้ยา การเหม่อลอยหรือขาดสติเพียงชั่วครู่อาจก่อให้เกิดอันตรายหรือการบาดเจ็บรุนแรงต่อผู้ใช้งานได้

2. ใช้อุปกรณ์เพื่อความปลอดภัยให้เหมาะกับงานที่ทำ เช่น หน้ากากกันฝุ่น รองเท้าและหมวกนิรภัย ที่อุดหู และสวมแว่นตานิรภัยตลอดเวลาที่ใช้เครื่องมือ

3. ก่อนเสียบปลั๊ก ตรวจสอบว่าสวิตช์เครื่องปิดอยู่ เพื่อป้องกันการกดปุ่มเปิดโดยบังเอิญ การถือเครื่องมือโดยวางนิ้วไว้บนไกสวิตช์หรือเปิดสวิตช์ก่อนเสียบปลั๊กเป็นการประมาทที่ก่อให้เกิดอันตรายและอุบัติเหตุได้

4. ถอดประแจหรือจ่าปาขึ้นออกก่อนเปิดใช้เครื่องมือ การปล่อยจ่าปาติดไว้กับเครื่องมือที่กำลังหมุนอาจก่อให้เกิดอันตรายได้

5. ขณะใช้เครื่องมือ อย่าเอื้อมหรือยื่นแขน เพราะอาจทำให้เสียหลักได้ง่าย ควรยืนเต็มเท้าให้ถนัดและทรงตัวได้ดี หากเกิดสถานการณ์ที่ไม่คาดคิด ก็ยังสามารถควบคุมเครื่องมือได้

6. แต่งกายให้เหมาะสม ห้ามสวมเครื่องแต่งกายที่หลวมหรือรุ่มร่าม ถ้าผมยาวควรรวบขึ้นให้หมด ระวังผม เครื่องแต่งกายหรือถุงมือถูกดึงเข้าไปพันในเครื่อง

7. ขณะใช้เครื่องมือ ถ้ามีโอกาสที่เครื่องมือจะสัมผัสกับสายที่มีไฟ ให้จับเครื่องมือตรงบริเวณที่หุ้มฉนวน เพื่อป้องกันไฟดูด

การใช้งานและดูแลรักษาเครื่องมือที่ใช้แบตเตอรี่

1. ใช้เฉพาะที่ชาร์จที่ผู้ผลิตระบุให้ใช้กับเครื่องมือชนิดนั้น การใช้ที่ชาร์จที่ไม่ใช่ของเครื่องมือนั้นอาจทำให้เกิดไฟไหม้ได้

2. ใช้เครื่องมือกับแบตเตอรี่ชนิดที่ถูกต้อง การใช้แบตเตอรี่ไม่เหมาะสมอาจทำให้เกิดไฟไหม้หรืออาการบาดเจ็บได้

3. เมื่อไม่ใช้แบตเตอรี่ ให้เก็บแบตเตอรี่ให้ห่างจากวัตถุอื่นที่เป็นโลหะ เช่น คลิปหนีบกระดาษ เหรียญ กุญแจ ตะปู สกรู หรือโลหะเล็ก ๆ ที่อาจสัมผัสขั้วแบตเตอรี่ จนทำให้เกิดการลัดวงจรของขั้วแบตเตอรี่ เป็นสาเหตุให้เกิดไฟไหม้ได้

4. การใช้งานไม่ถูกต้องอาจทำให้แบตเตอรี่เยิ้ม ห้ามสัมผัสแบตเตอรี่และของเหลวนั้น หากของเหลวถูกผิวหนัง ให้ล้างออกด้วยน้ำสะอาดปริมาณมาก ถ้าเข้าตา ให้รีบไปพบแพทย์ ของเหลวที่เยิ้มออกจากแบตเตอรี่อาจก่อให้เกิดการระคายเคืองผิวหนังหรือเกิดแผลไหม้ได้

การซ่อมแซม

ควรส่งซ่อมโดยช่างซ่อมผู้ชำนาญ และใช้เฉพาะชิ้นส่วนและอะไหล่ของแท้เท่านั้น เพื่อให้มั่นใจได้ในความปลอดภัยของเครื่องมือหลังการซ่อม

ข้อปฏิบัติเพื่อความปลอดภัย

คำเตือนเพื่อความปลอดภัย

ใช้อุปกรณ์ที่เหมาะสมเพื่อหาสายไฟ ท่อแก๊ส หรือท่อประปาที่อาจซ่อนอยู่ หรือติดต่อบริษัทให้บริการในพื้นที่มาตรวจสอบให้ เพื่อป้องกันการเจาะถูกสายเหล่านี้ การเจาะถูกสายไฟหรือท่อแก๊สอาจทำให้เกิดไฟไหม้ ถูกไฟดูด หรือเกิดระเบิดจากแก๊สรั่ว และการเจาะถูกท่อประปาอาจทำให้ทรัพย์สินเสียหายหรืออาจทำให้ถูกไฟดูดได้

ปิดสวิตช์เครื่องทันที หากดอกสว่านหรือไขควงติดระหว่างการตัดกลับที่อาจเกิดขึ้นได้จากแรงบิดของเครื่อง เครื่องมืออาจติดขัดได้ในกรณีนี้

- ใช้เครื่องมือเกินกำลัง หรือดอกสว่านติดกับชิ้นงาน

จับเครื่องมือให้แน่น เพราะเครื่องอาจสะบัดขณะขันและคลายสกรู

ยึดชิ้นงานให้แน่น ควรใช้คีมหรือปากกาจับชิ้นงาน เพราะจับได้แน่นและปลอดภัยกว่าใช้มือจับ

รักษาพื้นที่ทำงานให้สะอาดอยู่เสมอ การกองวัสดุรวมกันก่อให้เกิดอันตรายได้ง่าย เศษฝุ่นอัลลอยอาจติดไฟและระเบิดได้

ให้รอจนเครื่องหยุดสนิทก่อนค่อยวางเครื่องลง มิฉะนั้นอาจทำให้ดอกสว่านติด จนควบคุมเครื่องมือไม่ได้

ก่อนใส่แบตเตอรี่ ตรวจสอบว่าสวิตช์เครื่องปิดอยู่ เพื่อป้องกันการกดปุ่มเปิดโดยไม่ตั้งใจ การถือเครื่องมือโดยวางนิ้วไว้บนไกสวิตช์หรือเปิดสวิตช์ค้างไว้ก่อนเสียบปลั๊กหรือใส่แบตเตอรี่ เป็นการประมาทที่ก่อให้เกิดอันตรายและอุบัติเหตุได้

คำเตือนเพื่อความปลอดภัยในการใช้ที่ชาร์จ



สำหรับใช้งานภายในอาคารเท่านั้น



จำนวนคู่

อย่าให้ที่ชาร์จแบตเตอรี่เย็บผืน เบียดน้ำ หรือถูก ความชื้น ถ้าที่ชาร์จเย็บจะทำให้ถูกไฟดูดได้ง่าย

ห้ามใช้ที่ชาร์จนี้ชาร์จแบตเตอรี่อื่น ที่ชาร์จเหมาะสำหรับ ชาร์จแบตเตอรี่ของเครื่องมือเท่านั้น การฝืนใช้กับแบตเตอรี่อื่น อาจทำให้เกิดไฟไหม้หรือระเบิดได้

เก็บที่ชาร์จให้สะอาดอยู่เสมอ ที่ชาร์จที่สกปรกอาจทำให้เกิดไฟดูดได้

ก่อนใช้งาน ให้ตรวจสอบที่ชาร์จ สายไฟ และปลั๊กก่อนเสมอ ห้ามใช้งานเด็ดขาดหากชำรุด ห้ามแกะชิ้นส่วนที่ชาร์จเองเด็ดขาด ให้ส่งซ่อมโดยช่างผู้ชำนาญเท่านั้น ที่ชาร์จ สายไฟ และปลั๊กที่ชำรุด ทำให้ผู้ใช้ถูกไฟดูดได้ง่าย

ห้ามชาร์จไฟแบตเตอรี่บนพื้นผิวที่ติดไฟง่าย เช่น กระดาษ ผ้า ฯลฯ หรือในบริเวณที่ติดไฟง่าย เพราะ ความร้อนที่เกิดขณะชาร์จแบตเตอรี่อาจก่อประกายไฟ ทำให้เกิดไฟไหม้ได้

ห้ามเด็กเล่นที่ชาร์จแบตเตอรี่เด็ดขาด

คำความสันสะเทือน

คำความสันสะเทือน

คำความสันสะเทือนที่ระบุไว้ในคู่มือนี้ ได้รับการตรวจ วัดตามการทดสอบมาตรฐานที่กำหนดไว้ใน EN 60745 คำความสันสะเทือนนี้อาจใช้ในการเปรียบเทียบระหว่าง เครื่องมือแต่ละชิ้น และใช้เป็นค่าประเมินเบื้องต้นของ แรงสันสะเทือนที่มีผลต่อผู้ใช้งาน ขณะใช้เครื่องมือ ทำงานดังที่ระบุไว้ การใช้เครื่องมือในลักษณะงานที่ต่าง กัน หรือการใช้เครื่องมือคู่กับอุปกรณ์เสริมที่เก็บรักษาไม่ดี หรือเก็บรักษาด้วยวิธีที่แตกต่างกัน อาจทำให้แรงสัน สะเทือนเพิ่มขึ้นมาก

เมื่อถอดสวิตช์ปิดเครื่องมือ หรือเปิดแต่ยังไม่ได้ใช้ทำงาน แรงสันสะเทือนอาจลดลงมาก

ผู้ใช้ควรป้องกันแรงสันสะเทือนที่ส่งผลกระทบต่อผู้ใช้เอง โดยการเก็บเครื่องมือและอุปกรณ์เสริมให้อยู่ในสภาพ ดี ให้อยู่ในอุณหภูมิที่เหมาะสม และจัดรูปแบบการทำงาน ให้เหมาะสม

การประกอบ

ก่อนซ่อมแซม เปลี่ยนดอกสว่าน หรือทำการปรับเปลี่ยน ใดๆ รวมทั้งขณะขนย้ายและเก็บสว่าน ต้องปรับไก สวิตช์ชั่วคราวลง เพื่อป้องกันสว่านหมุนจนทำให้ได้ รับอันตราย

การชาร์จแบตเตอรี่

วิธีชาร์จแบตเตอรี่สว่าน/ไขควงไฟฟ้าฟิสิกซ์

เมื่อเสียบปลั๊กที่ชาร์จ ไฟสีแดงบนสว่านจะติดเพื่อแสดง ว่ากำลังชาร์จแบตเตอรี่ (7)

ในสภาพการใช้งานปกติ สามารถชาร์จไฟแบตเตอรี่ซ้ำ ได้หลายร้อยครั้ง

ข้อควรระวัง! แบตเตอรี่ร้อนขณะชาร์จไฟ

หมายเหตุ: แบตเตอรี่ที่นำมาพร้อมตัวเครื่องผ่านการ ชาร์จเพื่อทดสอบเท่านั้น ยังไม่ได้ชาร์จไฟเต็ม จึงต้อง ชาร์จให้เต็มก่อนนำไปใช้ อ่านคำแนะนำด้านความปลอดภัยให้ละเอียด แล้วจึง ชาร์จแบตเตอรี่ตามคำแนะนำนั้น โดยเสียบปลั๊กแปลง ลงในช่องเสียบชาร์จบนสว่าน/ไขควงไฟฟ้า แล้วเสียบ ปลั๊กหม้อแปลงที่ชาร์จกับเต้ารับ

ระวังอย่าให้สายไฟผูกเป็นปมหรือห้อยลง หม้อแปลงของที่ชาร์จและแบตเตอรี่ออกแบบมาให้ใช้ คู่กัน

ห้ามนำที่ชาร์จนี้ไปใช้ชาร์จไฟเครื่องมือไร้สายหรือแบตเตอรี่จากผู้ผลิตอื่น ส่วนที่ชาร์จแบตเตอรี่เต็มแล้วจะ ค่อยๆ คายประจุที่ชาร์จออก แม้ว่าจะเก็บไว้โดยไม่ได้ ใช้ก็ตาม

แบตเตอรี่ลิเทียมไอออนมีระบบ Electronic Cell Protection (ECP) ที่ช่วยป้องกันการคายประจุแบตเตอรี่จนหมด ถ้าแบตเตอรี่หมด วงจรจะปิด ดอกสว่านที่ใส่ เข้าไปจะไม่หมุน



คำเตือน! ถ้าสว่านปิดอัตโนมัติแล้ว อย่า กดสวิตช์เปิดปิดอีก เพราะอาจทำให้แบตเตอรี่เสียหายได้



คำเตือน! ชาร์จไฟแบตเตอรี่บนพื้นผิวที่ไม่ติดไฟ และอย่าชาร์จนานเกิน 8 ชั่วโมง ขณะชาร์จไฟสถานะจะเป็นสีแดง เมื่อชาร์จแบตเตอรี่เต็มแล้วไฟจะเปลี่ยนเป็นสีเขียว

ดึงปลั๊กไฟออกและเก็บหม้อแปลงไว้ในที่เหมาะสม เมื่อไม่ใช้งาน

ไม่แนะนำให้ชาร์จแบตเตอรี่ที่อุณหภูมิต่ำกว่าจุดเยือกแข็ง

ขณะถอดแบตเตอรี่ ให้กดไกสวิตช์เปิดปิด (5) ค้างไว้ จนกว่าจะถอดแบตเตอรี่เสร็จ โดยขั้นสกรูที่ยึดฝาครอบออกแล้วถอดฝาครอบ จากนั้นปลดสล็อตแบตเตอรี่แล้วถอดแบตเตอรี่ออก (ตามรูป A)

คำแนะนำการใช้งาน

การใช้งาน

หมายเหตุ: ขณะใช้สว่านไขควง อาจเกิดประกายไฟให้เห็นในช่วงมอเตอร์ ประกายไฟนี้เป็นปฏิกิริยาที่เกิดขึ้นจากชิ้นส่วนของมอเตอร์เสียดสีกันขณะใช้งาน ซึ่งไม่มีผลใดๆ ต่อประสิทธิภาพของสว่านไขควง อย่างไรก็ตามไม่ควรใช้สว่านไขควงใกล้ช่องเหลวไวไฟ แก๊ส หรือฝุ่น เพราะอาจทำให้ไฟลุกได้

การใส่ดอกสว่าน/ดอกไขควง

ก่อนซ่อมแซม เปลี่ยนดอกสว่าน หรือทำการปรับเปลี่ยนใดๆ รวมทั้งขณะขนย้ายและเก็บสว่าน ต้องปรับไกสวิตช์ไว้ตรงกลาง เพื่อป้องกันส่วนหมุนโดยไม่ตั้งใจจนทำให้ได้รับอันตราย

บิดหัวจับดอกสว่านให้เปิดเป็นช่องขนาดใหญ่กว่าดอกสว่านเล็กน้อย ใส่ดอกสว่านลงไป แล้วหมุนหัวจับดอกให้แน่นตามวิธีที่อธิบายไว้ข้างต้น (หัวจับแบบมีมือบิดต้องใช้จำปาขัน)

การปรับความเร็วรอบหมุน

เพิ่มหรือลดแรงกดบนไกสวิตช์เพื่อปรับความเร็วรอบหมุนตั้งแต่ระดับศูนย์ไปจนถึงระดับสูงสุดตามความเหมาะสมของงาน เลือกความเร็วรอบหมุนต่ำสุดสำหรับการขันและคลายสกรู (ตำแหน่ง 1 บนปุ่มปรับเกียร์ (3))

การเลือกความเร็วรอบหมุน

สำหรับงานเจาะ ให้ใช้ความเร็วต่ำในการเจาะโลหะ พลาสติก และเซรามิก และใช้ความเร็วสูงสำหรับเจาะไม้ ใช้ไขควงสำหรับขันหรือคลายสกรูและสำหรับงานที่ใช้แรงบิดสูง (ตำแหน่ง 2 บนปุ่มปรับเกียร์ (3))

การปรับทิศทางหมุน

ปรับหมุนซ้ายขวาได้ด้วยสวิตช์ปรับทิศทางหมุน (4)

ปรับสวิตช์ให้อยู่ในตำแหน่งกึ่งกลาง เพื่อล็อกไกสวิตช์

การปรับแรงบิด

หมุนหัวปรับแรงบิด (2) ไปยังตำแหน่งที่ต้องการ ตัวเลข 1-19 ใช้สำหรับการขันหรือคลายสกรู (ตัวเลขยิ่งสูง แรงบิดก็ยิ่งมากขึ้น) เมื่อต้องการใช้สว่าน ให้เลือกรูปดอกสว่าน เพื่อเปลี่ยนจากการขันเป็นการเจาะ

หัวจับดอกสว่านแบบไม่ใช้จำปา

หัวจับดอกสว่านแบบมือบิด ไม่ต้องใช้จำปาขัน จับและคลายดอกสว่านและดอกไขควงได้ง่าย

เปิดปิดหัวจับดอกสว่าน โดยใช้มือจับแหวนรองหัวจับดอก (10) ให้แน่น แล้วหมุนปลดดอกสว่าน (11)



คำเตือน ระวังมอเตอร์สว่าน

ขณะมอเตอร์หมุน อย่าจับหัวสว่านหรือบริเวณที่ใกล้กับดอกสว่าน เพราะอาจก่อให้เกิดอันตรายและการบาดเจ็บได้

การดูแลรักษาและทำความสะอาด

ก่อนซ่อมแซม เปลี่ยนดอกสว่าน หรือทำการปรับเปลี่ยนใดๆ รวมทั้งขณะขนย้ายและเก็บสว่าน ต้องปรับปุ่มหมุนซ้ายขวาไว้ตรงกลาง เพื่อป้องกันส่วนหมุนจนทำให้ได้รับอันตราย

รักษาเครื่องมือและช่องระบายอากาศให้สะอาดอยู่เสมอ เพื่อให้ใช้งานได้อย่างเป็นปกติและปลอดภัย

คำแนะนำวิธีการทิ้ง

การปกป้องสิ่งแวดล้อม

ระเบียนว่าด้วยการจัดการเศษเหลือทิ้งของผลิตภัณฑ์ไฟฟ้าและอิเล็กทรอนิกส์ (WEEE) ในด้านข้อมูลที่ผู้ใช้ในภาคครัวเรือนควรทราบ เพื่อการกำจัดเศษเหลือทิ้งอย่างมีความรับผิดชอบและเป็นมิตรต่อสิ่งแวดล้อม



สัญลักษณ์นี้ซึ่งปรากฏบนผลิตภัณฑ์ หรือบนเอกสารที่เกี่ยวข้องของผลิตภัณฑ์ไฟฟ้าและอิเล็กทรอนิกส์ เป็นสัญลักษณ์ที่บ่งชี้ว่าผลิตภัณฑ์ที่ผ่านการใช้งานหรือหมดอายุใช้งานแล้ว ไม่ควรนำไปทิ้งรวมกับขยะอื่นๆ ในครัวเรือน กรุณานำเศษเหลือทิ้งเหล่านี้ไปยังจุดรับทิ้งที่ทางการกำหนด เพื่อนำไปกำจัดและรีไซเคิลอย่างถูกต้องต่อไป สำหรับบางประเทศคุณสามารถส่งเศษเหลือทิ้งเหล่านี้กลับคืนไปยังผู้จำหน่าย พร้อมกับสิ่งซื้อสินค้าใหม่ในแบบเดียวกันมาทดแทน การกำจัดเศษเหลือทิ้งอย่างถูกวิธีจะช่วยให้รักษาทรัพยากรอันมีค่า และป้องกันผลกระทบที่อาจเกิดขึ้นต่อสุขภาพและสิ่งแวดล้อม กรุณาติดต่อหน่วยงานผู้มีอำนาจในท้องถิ่นของคุณ เพื่อสอบถามรายละเอียดของจุดรับทิ้งที่ใกล้ที่สุดที่ทางการกำหนดไว้ ผู้ใดฝ่าฝืนไม่ปฏิบัติตามระเบียบนี้จะถูกลงโทษตามกฎหมาย

การกำจัดแบตเตอรี่ชาร์ตหรือหม้อดอายุ

ห้ามทิ้งแบตเตอรี่เก่า ชาร์ต หรือหม้อดอายุรวมกับขยะอื่นๆ ในครัวเรือน กฎหมายกำหนดให้ผู้ใช้ต้องนำแบตเตอรี่เก่าไปทิ้งยังจุดรับทิ้งแบตเตอรี่ใกล้บ้านหรือส่งกลับไปยังบริษัทที่มีหน้าที่จัดการรับทิ้ง ผู้ใดฝ่าฝืน อาจมีโทษปรับหรือได้รับโทษอื่นตามกฎหมาย

ข้อมูลการกำจัดเศษเหลือทิ้งของผลิตภัณฑ์ไฟฟ้าและอิเล็กทรอนิกส์สำหรับภาคธุรกิจนอกประเทศกลุ่มสหภาพยุโรป



สัญลักษณ์นี้มีผลบังคับใช้เฉพาะภายในประเทศกลุ่มสหภาพยุโรปเท่านั้น กรุณาติดต่อหน่วยงานผู้มีหน้าที่รับผิดชอบหรือผู้จัดจำหน่ายภายในประเทศ เพื่อสอบถามข้อมูลการกำจัดเศษเหลือทิ้งอย่างถูกต้อง

