

# UTDRAG

in

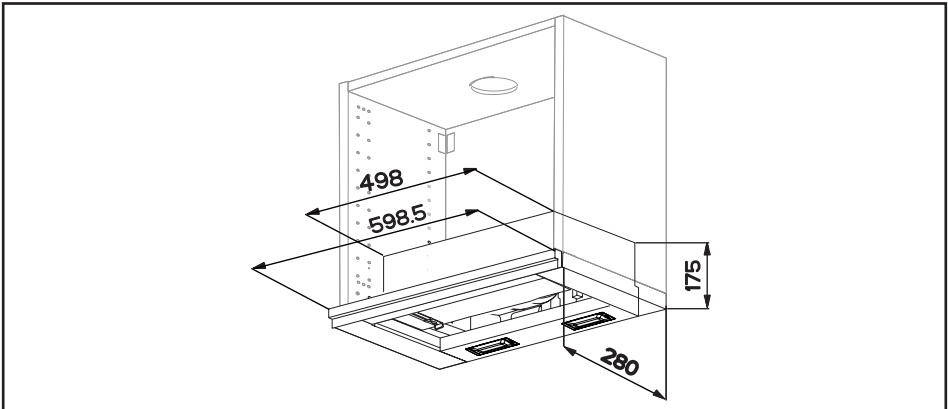
sg

ph

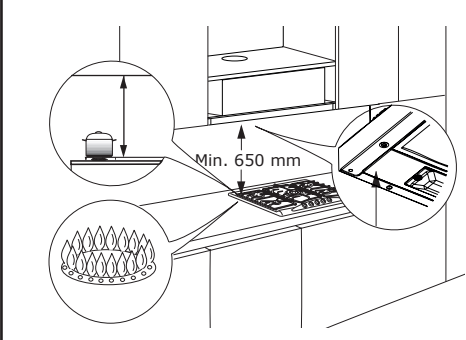
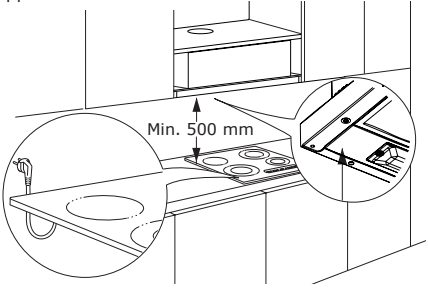


Design and Quality  
IKEA of Sweden

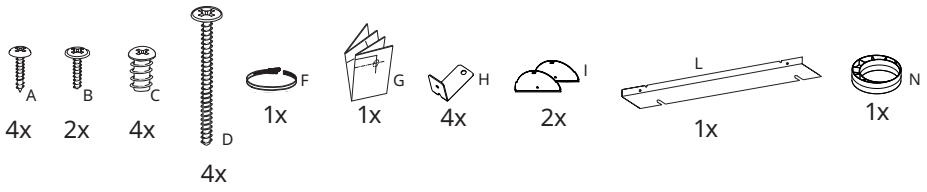
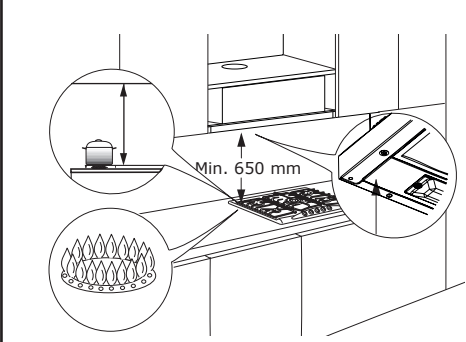
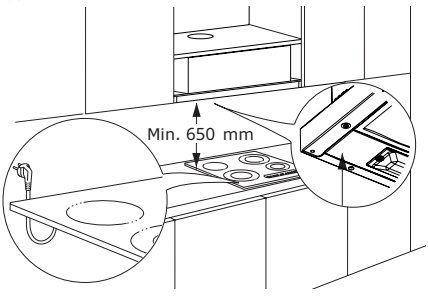


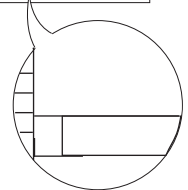
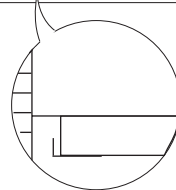
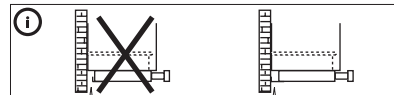
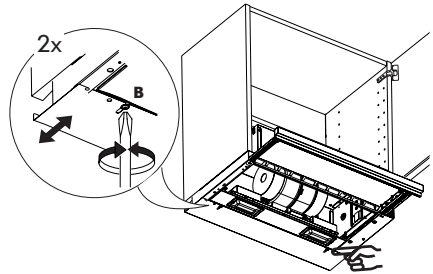
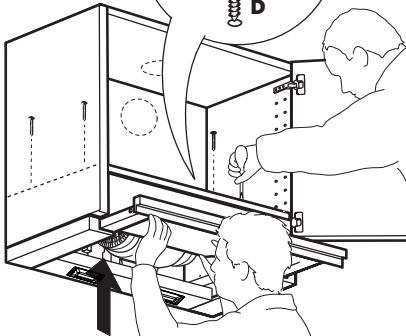
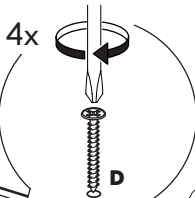
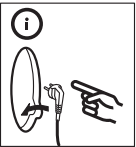
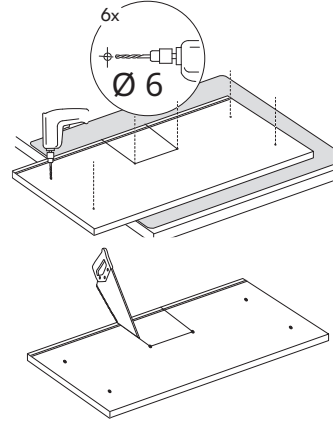
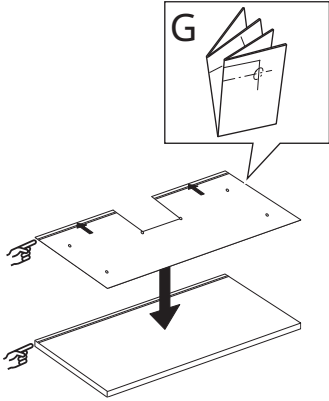
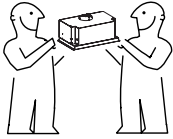


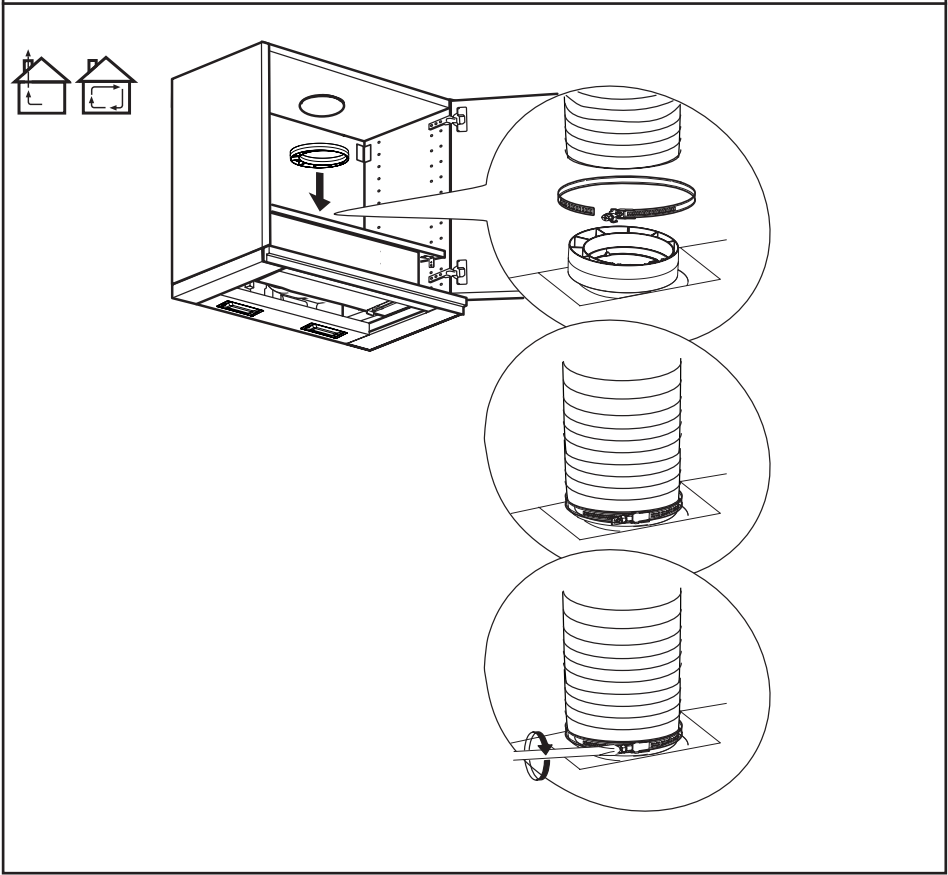
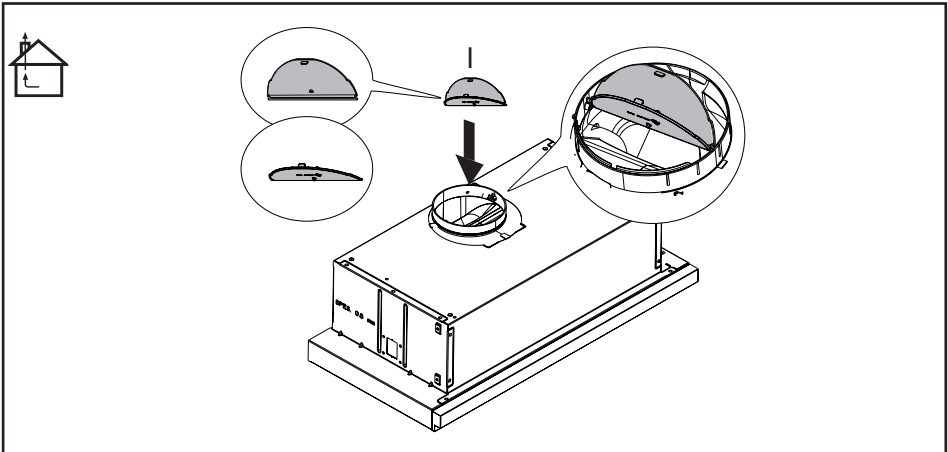
Applicable for Indonesia



Applicable for Korea











For the IKEA appointed  
Authorized Service Centre,  
please refer to [www.IKEA.com](http://www.IKEA.com)  
and select your local store for  
phone numbers and opening  
times

## Contents

Safety information	7	Technical data	15
Product description	11	Environment concerns	16
Care and cleaning	12	IKEA GUARANTEE	16
What to do if..	14		

## Safety information

 For your safety and correct operation of the appliance, read this manual carefully before installation and use. Look carefully at the warning images at the beginning of this manual. For a correct and complete installation, refer to the specific installation manual supplied with the product. Always keep these instructions with the appliance even if you move or sell it. Users must fully know the operation and safety features of the appliance.


 The wire connection has to be done by specialized technician.

- The manufacturer will not be held liable for any damages resulting from incorrect or improper installation.
- The minimum safety distance between the cooker top and the extractor hood is: for electrical hob 500mm and for gas hob 650mm.
- **Only applicable for Korea**  
The minimum safety distance between the cooker top and the extractor hood is: for electrical hob and for gas hob 650mm.
- If the instructions for installation for the gas hob specify a greater distance, this must be respected.
- Check that the mains voltage corresponds to that indicated on the rating plate fixed to the inside of the hood.
- Means for disconnection must be incorporated in the fixed wiring in accordance with the wiring rules.

- For Class I appliances, check that the domestic power supply guarantees adequate earthing.
- Connect the extractor to the exhaust flue through a pipe of minimum diameter 120 mm. The route of the flue must be as short as possible.
- Do not connect the extractor hood to exhaust ducts carrying combustion fumes (boilers, fireplaces, etc.).
- If the extractor is used in conjunction with non-electrical appliances (e.g. gas burning appliances), a sufficient degree of aeration must be guaranteed in the room in order to prevent the backflow of exhaust gas. When the cooker hood is used in conjunction with appliances supplied with energy other than electric, the negative pressure in the room must not exceed 0,04 mbar to prevent fumes being drawn back into the room by the cooker hood.
- The air must not be discharged into a flue that is used for exhausting fumes from appliances burning gas or other fuels.
- If the supply cord is damaged, it must be replaced from the manufacturer or its service agent.
- Connect the plug to a socket complying with current regulations, located in an accessible place.
- With regards to the technical and safety measures to be adopted for fume discharging it is important to closely follow the regulations provided by the local authorities.

 **WARNING:** Before installing the Hood, remove the protective films.

- Use only screws and small parts in support of the hood.

 **WARNING:** Failure to install the screws or fixing device in accordance with these instructions may result in electrical hazards.


- Connect the hood to the power net by using a bipolar switch having a contact gap of at least 3 mm.



- Do not look directly at the light through optical devices (binoculars, magnifying glasses...).
- Do not flambè under the range hood; risk of fire.
- This appliance can be used by children aged from 8 years and above and persons with reduced physical, sensory or mental capabilities or lack of experience and knowledge if they have been given supervision or instruction concerning use of the appliance in a safe way and understand the hazards involved. Children shall not play with the appliance. Cleaning and user maintenance shall not be made by children without supervision.
- Children should be supervised to ensure that they do not play with the appliance.
- The appliance is not to be used by persons (including children) with reduced physical, sensory or mental capabilities, or lack of experience and knowledge, unless they have been given supervision or instruction



Accessible parts may become hot when used with cooking appliances.

- Clean and/or replace the Filters after the specified time period (Fire hazard).
- There shall be adequate ventilation of the room when the range hood is used at the same time as appliances burning gas or other fuels (not applicable to appliances that only discharge the air back into the room).
-  Use only with self-shielded tungsten halogen lamps or self-shielded metal halide lamps.
- Replace any cracked shield.

### Use

- Switch off or unplug the appliance from the mains supply before carrying out any maintenance work.
- The top of the hood must not be used as a shelf.
- The extractor hood has been designed exclusively for domestic use to eliminate kitchen smells.
- Never use the hood for purposes other than for which it has been designed.
- Never leave high naked flames under the hood when it is in operation.
- Adjust the flame intensity to direct it onto the bottom of the pan only, making sure that it does not engulf the sides.

Deep fat fryers must be continuously monitored during use: overheated oil can burst into flames.

### Installation modes

The hood has been designed to be installed and used either as a "Exhaust mode", or as a "Recirculation mode".



#### **Exhaust mode (see symbol in installation booklet)**

Cooking steam is sucked and channelled outside the house through a discharge duct (not supplied), fitted to the hood steam outlet.

Ensure that the discharge duct is correctly fitted to the air outlet, unit using an appropriate connection system.



#### **Recirculation mode (see symbol in installation booklet)**

The air is filtered through one or more the charcoal filters, and then resent into room.

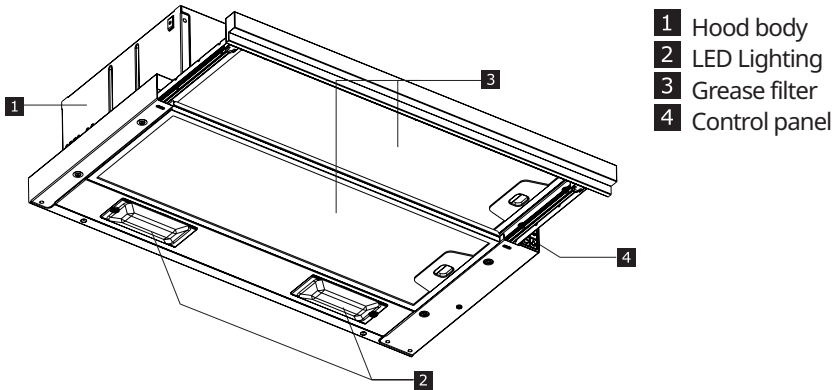
**Important:** Ensure appropriate air circulation around the hood.

**Important:** If the hood is supplied without charcoal filters and installed on recirculation mode, these must be fitted before the hood can be used. Filters are available in shops.

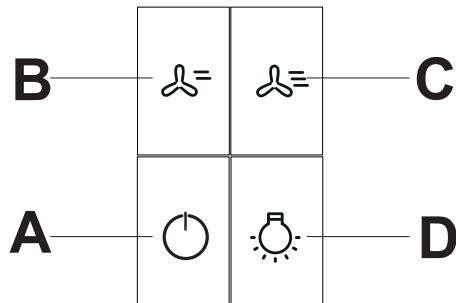
The hood should be installed away from particularly dirty areas, windows, doors and heat sources.

The accessories for wall fixing are not included because wall made of different materials require different types of fixing accessories. Use fixing systems suitable for the walls of your home and the weight of the appliance. For more details, contact a specialized dealer. Keep this booklet for future consultation.

**Product description**



**Control Panel**



<b>A</b>	Turns the motor ON at speed one and turn the Motor OFF at each Speed
<b>B</b>	Turns the motor on at speed two.
<b>C</b>	Turns the Motor on at speed three.
<b>D</b>	Turns the lighting system on and off at maximum intensity.

\* If the sliding suction panel is closed, the Hoods is Light OFF and Motor OFF.

## General hints

- Switch ON the hood at minimum speed when you start cooking and keep it running for few minutes after cooking is finished.
- Increase the speed only in case of large amount of smoke and vapour and use boost speed(s) only in extreme situations.
- Replace the charcoal filter(s) when necessary to maintain a good odour reduction efficiency.
- Clean the grease filter(s) when necessary to maintain a good grease filter efficiency.
- Use the maximum diameter of the ducting system indicated in this manual to optimize efficiency and minimize noise.

## Care and cleaning

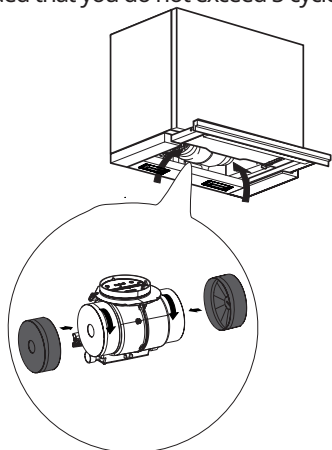


Switch off or unplug the appliance from the mains supply before carrying out any maintenance work.

**IMPORTANT** Clean the hood using a damp cloth and a neutral liquid detergent.

### Long Life Charcoal Filter (Green)

The anti-odour Filter can be washed and regenerated every 3-4 months (or more frequently if the hood is subject to intensive use), up to a Max. of 8 regeneration cycles (in case of particularly intensive use it is recommended that you do not exceed 5 cycles).



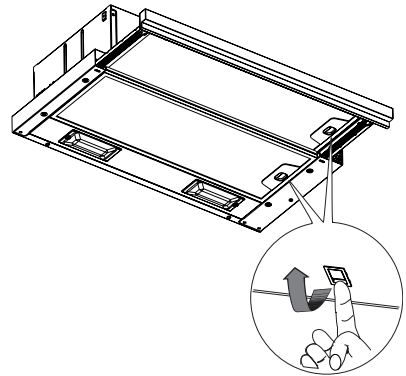
### Regeneration procedure:

- Wash in the dishwasher at a MAX temperature of 70° or hand wash in hot water without using abrasive sponges (do not use detergents!).
- Dry in the oven at a MAX temperature of 70° for 2 hours (it is recommended to read carefully the user manual and the assembly instruction of the oven of your own).

**Grease Filters**

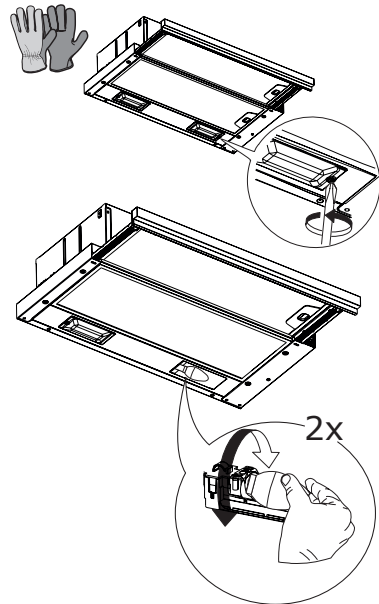
Clean or replace the filters continuously according to below time intervals, to maintain good performance of the hood and to prevent a potential fire hazard, caused by excessive grease build-up.


The grease filters must be cleaned every 2 months of operation, or more frequently for particularly heavy usage, and can be washed in a dishwasher.



**Replacing the lamps**

Unscrew the bulbs, by using safety gloves, and replace them with new ones having the same characteristics 4W (Connection type: E14).



Lamp	Power (W)	Socket	Voltage (V)	Dimension (mm)	ILCOS Code
	4	E14	220-240	107 x 37	DRBB/F-4-220-240-E14-35/100

## What to do if...

If there is a fault, first try to find a solution to the problem yourself. If you cannot find a solution to the problem yourself, contact an authorized service center.

**i** If you operated the appliance wrongly, or the installation was not carried out according to the Assembly instructions, the visit from the Authorized Service Centre technician may not take place free of charge, even during the warranty period.

PROBLEM	POSSIBLE CAUSE	SOLUTION
Appliance not stable	The appliance is not correctly installed	Follow the Installation instruction enclosed to the appliance.
Appliance is not in horizontal position	The appliance is not correctly installed	Follow the Installation instruction enclosed to the appliance.
Performance in terms of oil capture are not satisfying	Oil and grease on metal filters or charcoal filters.	Follow the cleaning frequency of filters as described in the user manual
Appliance does not work	The appliance is not correctly connected	Verify that the main cable is connected to the motor group or the plug is connected to the socket
The light does not work	The LED is broken	You can replace the lamp without contact the Authorized Service Centre.
Noise of hood is higher than customer expectation.	Air outlet diameter in the wall is too small, causing a pressure drop and an increase in motor speed.	Follow the Installation instruction enclosed to the appliance.
	Product is installed in recirculation mode.	Product in recirculation mode (and using a charcoal filter) will generate a higher noise than a product in extraction mode.
	More than one bend in the ventilation duct.	If the exhaust system in the building has multiple bend in or a long distance, this can increase the noise of the product.

### Before contacting the Authorized Service Centre:

Switch the appliance on again to see if the problem has disappeared. If not, switch it off again and repeat the operation after an hour.

If your appliance still does not work properly after carrying out the checks listed in the troubleshooting guide and switching the appliance on again, contact the Authorized Service Centre, clearly explaining the problem and specifying:

- the type of fault;
- the model;
- the type and serial number of the appliance (given on the rating plate).

**Technical Data**

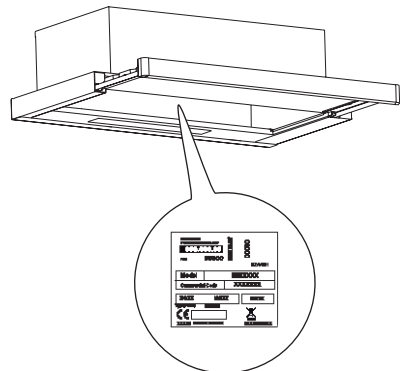
		Unit	Value
Product Type			Telescopic Hood
Dimensions	Width	mm	598,5
	Depth	mm	Min.387 - Max.537
	Height min/max	mm	215
Airflow max* - Exhaust		m3/h	340
Noise max* - Exhaust		dBA	67
Airflow max* - Recirculating		m3/h	140
Noise max* - Recirculating		dBA	72
Total Power		W	108
Lamps info	Type		LED
	Number & Power		2 x 4W
	Socket		E14
Installation minimum height - gas hob		mm	650
Installation minimum height - elec hob		mm	500
Installation minimum height - elec hob (Only applicable for Korea)		mm	650
Net Weight		Kg	7,6

\* Maximum speed (boost excluded).




This appliance has been designed, manufactured and marketed in compliance with the E.E.C. Directives.

The technical information is situated in the rating plate on the internal side of the appliance.




## Environment concerns

### Maintenance

- The symbol  on the product or on its packaging indicates that this product may not be treated as household waste. Instead it shall be handed over to the applicable collection point for the recycling of electrical and electronic equipment. By ensuring this product is disposed of correctly, you will help prevent potential negative consequences for the environment and human health, which could otherwise be caused by inappropriate waste handling of this product.

For more detailed information about recycling of this product, please contact your local city office, your household waste disposal service or the shop where you purchased the product.

### Packaging materials

The materials with the symbol  are recyclable. Dispose the packaging in suitable collection containers to recycle it.

## IKEA GUARANTEE

### How long is the IKEA guarantee valid?

This guarantee is valid for five (5) years from the original date of purchase of your appliance at IKEA. The original sales receipt is required as proof of purchase. If service work is carried out under guarantee, this will not extend the guarantee period for the appliance.

### Who will execute the service?

IKEA service provider will provide the service through its own service operations or authorized service partner network.

### What does this guarantee cover?

The guarantee covers faults of the appliance, which have been caused by faulty construction or material faults from the date of purchase from IKEA. This guarantee applies to domestic use only. The exceptions are specified under the headline "What is not covered under this guarantee?" Within the guarantee period, the costs to remedy the fault e.g. repairs, parts, labour and travel will be covered, provided that the appliance is accessible for repair

without special expenditure. On these conditions the respective local regulations are applicable. Replaced parts become the property of IKEA.

### What will IKEA do to correct the problem?

IKEA appointed Service Provider will examine the product and decide, at its sole discretion, if it is covered under this guarantee. If considered covered, IKEA Service Provider or its authorized service partner through its own service operations, will then, at its sole discretion, either repair the defective product or replace it with the same or a comparable product.

### What is not covered under this guarantee?

- Normal wear and tear.
- Deliberate or negligent damage, damage caused by failure to observe operating instructions, incorrect installation or by connection to the wrong voltage, damage caused by chemical or electrochemical reaction, rust, corrosion or



water damage including but not limited to damage caused by excessive lime in the water supply, damage caused by abnormal environmental conditions.

- Consumable parts including batteries and lamps.
- Non-functional and decorative parts which do not affect normal use of the appliance, including any scratches and possible color differences.
- Accidental damage caused by foreign objects or substances and cleaning or unblocking of filters, drainage systems or soap drawers.
- Damage to the following parts: ceramic glass, accessories, crockery and cutlery baskets, feed and drainage pipes, seals, lamps and lamp covers, screens, knobs, casings and parts of casings. Unless such damages can be proved to have been caused by production faults.
- Cases where no fault could be found during a technician's visit.
- Repairs not carried out by our appointed service providers and/or an authorized service contractual partner or where non- original parts have been used.
- Repairs caused by installation which is faulty or not according to specification.
- The use of the appliance in a non- domestic environment i.e. professional use.
- Transportation damages. If a customer transports the product to his home or another address, IKEA is not liable for any damage that may occur during transport. However, if IKEA delivers the product to the customer's delivery address, then damage to the product that occurs during this delivery will be covered by IKEA.
- Cost for carrying out the initial installation of the IKEA appliance.
- However, if an IKEA appointed Service Provider or its authorized service partner repairs or replaces the appliance under the terms of this guarantee, the appoint-

ed Service Provider or its authorized service partner will reinstall the repaired appliance or install the replacement, if necessary.

- All plumbing and electrical installation, are not the responsibility of IKEA, and customer must complete these work before the execution work.

### **How country law applies**

The IKEA guarantee gives you specific legal rights, which cover or exceed all the local legal demands. However these conditions do not limit in any way consumer rights described in the local legislation.

Valid for INDIA only: The courts at New Delhi have exclusive jurisdiction for setting the claims or disputes or matters arising out of present Warranty.

### **Area of validity**

This warranty is valid only in the country where the product has been purchased; the services will be provided in the framework of the guarantee conditions. An obligation to carry out services in the framework of the guarantee exists only if the appliance complies and is installed in accordance with:

- the technical specifications of the country in which the guarantee claim is made;
- the Assembly Instructions and User Manual Safety Information;

### **The dedicated AFTER SALES for IKEA appliances**

Please don't hesitate to contact IKEA appointed Authorized Service Centre to:

- make a service request under this guarantee;
- ask for clarifications on installation of the IKEA appliance in the dedicated IKEA kitchen furniture;
- ask for clarification on functions of IKEA appliances.

To ensure that we provide you with the best assistance, please read carefully the Assembly Instructions and/or the User Manual before contacting us.

### How to reach us if You need our service



- i** The IKEA after sales customer service center will assist you on the phone with basic trouble- shooting for your appliances at the time of service call request.

Please refer to [www.IKEA.com](http://www.IKEA.com) and select your local store for local store phone numbers and opening times.

- i** Before calling us, assure that You have to hand the IKEA article number (8 digit code) and the Serial Number (8 digit code that can be found on the rating plate) for the appliance of which you need our assistance.

- i** **SAVE THE SALES RECEIPT!** It is your proof of purchase and required for the guarantee to apply. Note that the receipt reports also the IKEA article name and number (8 digit code) for each of the appliances you have purchased.

Do you need extra help?

For any additional questions not related to After Sales of your appliances please contact your nearest IKEA store call centre. We recommend you read the appliance documentation carefully before contacting us.



